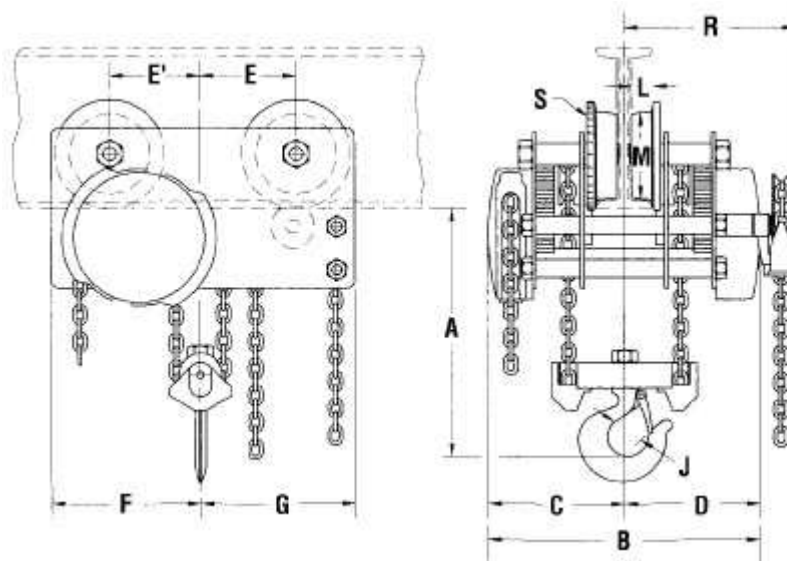




SELBY ENGINEERING & LIFTING SAFETY LTD.

Lifting Equipment and Height Safety Specialists
 www.liftingsafety.co.uk Email: sales@liftingsafety.co.uk
 Tel: (01977) 684600 Fax: (01977) 685300

Dimensions for Yale VNRP / VNRG Trolley Hoist Combination



Beam profile and dimension as well as curve radius must **always** be specified when ordering.

Dimensions

Capacity (kg)	A (mm)	B (mm)	C (mm)	D (mm)	E (mm)	E1 (mm)	F (mm)	G (mm)	J (mm)	L (mm)	M (mm)	R (mm)	S (mm)
1500kg	159	518	259	259	130	130	222	210	29	29	114	332	152
2000kg	159	518	259	259	130	130	222	210	29	29	114	332	152
3000kg	159	518	259	259	168	168	270	270	34	34	162	332	203
4000kg	203	518	259	259	168	168	270	270	34	34	162	332	203
5000kg	222	667	333	333	187	187	305	305	34	36	183	419	229
6000kg	222	667	333	333	187	187	305	305	34	36	183	419	229
8000kg	279	667	333	333	225	225	356	343	52	43	210	419	254
10000kg	292	667	333	333	216	248	397	365	57	44	248	419	297
12000kg	292	667	333	333	216	248	397	365	57	44	248	419	297
16000kg	346	772	386	386	302	302	473	473	76	51	298	477	343
20000kg	438	772	386	386	308	314	489	483	92	51	298	468	343
24000kg	438	772	386	386	308	314	489	483	92	51	298	468	343

