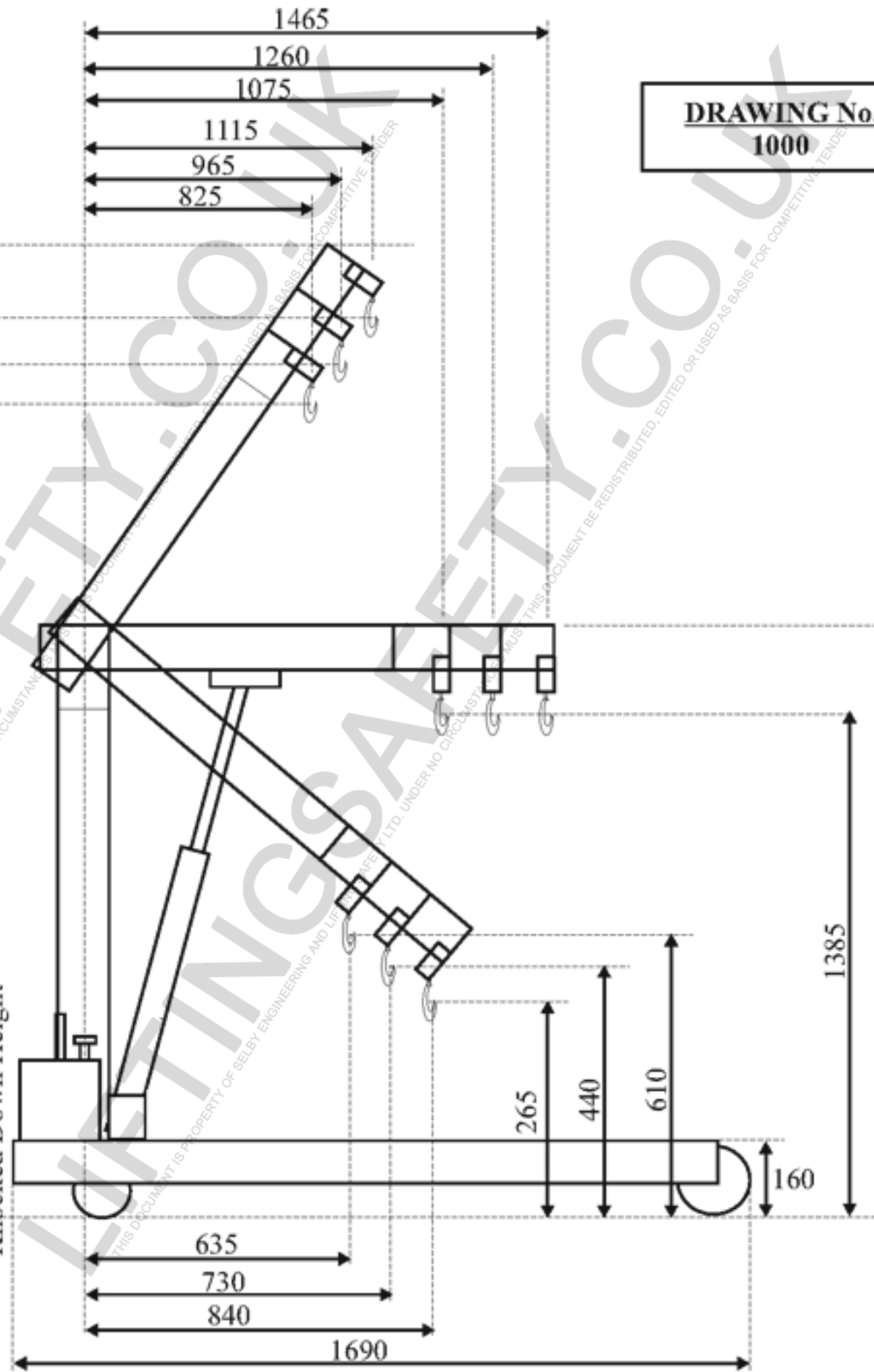
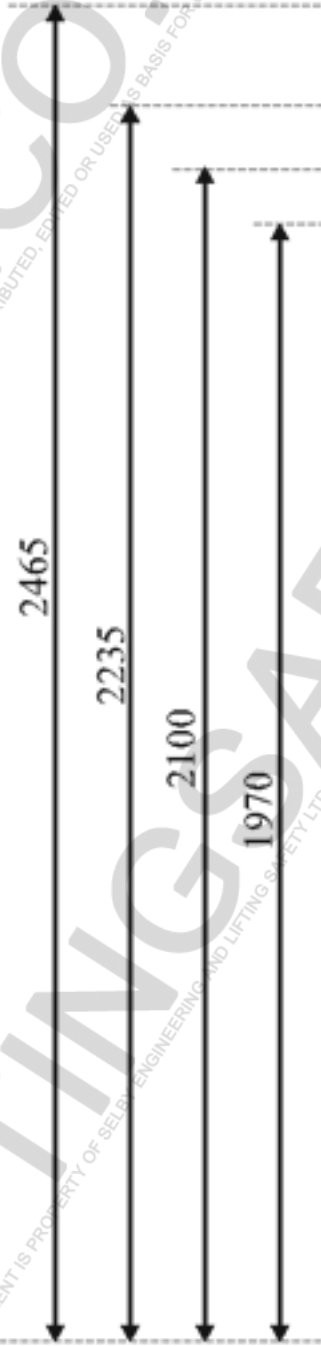
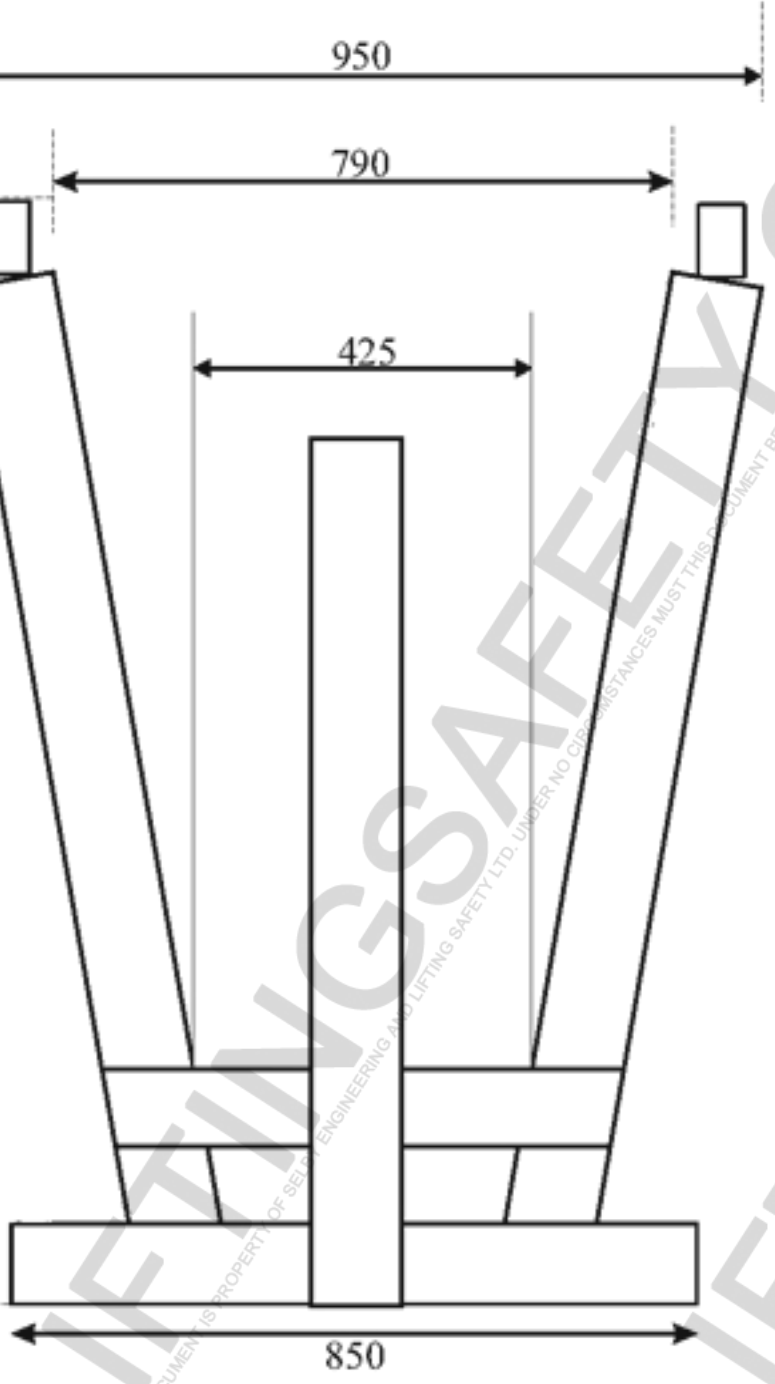


DRAWING No.
1000



MAX. LOAD AT POSITIONS

	1	2	3
Kg	1000	750	500