



Fall Protection

Confined Space Rescue Systems.

Experts in confined space entry and retrieval fall protection.

Confined spaces can be below or above ground and are found on most job sites. Each year many workers are injured or killed while performing their daily work activities in confined spaces. Confined spaces have limited openings for entry and exit which complicates rescue/retrieval and other emergency response services. These often dangerous work environments are enclosed or partially enclosed and not designed or intended for long-term human occupancy. A restrictive confined space can represent health and safety risks to anyone who enters.

3M™ Fall Protection ISO 9001-2000 certification drives superior engineering, quality manufacturing and unparalleled customer services. Our design and engineering teams excel at finding the best way to keep workers totally safe and comfortable.

Combining experience and knowledge with state-of-the-art outdoor and indoor testing procedures, we produce some of the most technologically advanced safety equipment in the world.

Contents.

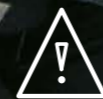
Industry Experience	2
ABC's of Fall Protection	3-4
Hoist Systems	6-7
Davit Arm Systems	8-9
Vehicle Hitch Mount Sleeve System	10
Side Entry System	11
Davit Arm Systems Bases	12-13
Davit Arm Bags & Accessories	14
Pole Hoist Systems & Accessories	15
Counterweight Systems	16-18
Tripods	18-19
Portable Fall Arrest Post	20-21
Digital Winches & Accessories	22-26

Your Partner in Safety

The highly trained professionals at 3M educate, train and provide extensive long term support in fall protection products to ensure that all aspects of your fall protection program are successful.

Choose 3M™ DBI-SALA® Products - your one-stop for the most comprehensive collection of innovative fall protection products for any confined space application!

All 3M Fall Protection's Systems and Anchor Products fully meet or exceed every key safety standard required including Directive 89/696/EEC and European Standards EN795. Our products are independently tested and certified, CE marked where allowed, and are fully supported by EC Declarations of Conformity.



The mounting and use of the product described within this document assumes that the user has previous experience of this type of product and that it will be assembled by a competent professional according to product documentation. Before any use of this product it is recommended to complete some trials to validate the performance of the product within its expected application.

All information and specification details contained within this document are inherent to this specific 3M product and would not be applied to other products or environments. Any action or usage of this product made in violation of this document is at the risk of the user.

Compliance to the information and specification relative to the product contained within this document does not exempt the user from compliance with additional guidelines (safety rules, procedures). Compliance to operational requirements especially in respect to the environment and usage of tools with this product must be observed. The 3M Group (who cannot verify or control these elements) would not be held responsible for the consequences of any violation of these rules which remain external to its decision and control. Warranty conditions for products are determined with the sales contract documents and with the mandatory and applicable law, excluding any other warranty or compensation.

ABCs of fall protection.

A typical Personal Fall Arrest System (PFAS) incorporates key components often described as the ABCs of fall protection.

The (A) anchorage/anchorage connector, (B) body support and (C) connecting device - when used together - form a complete system for maximum worker protection. But don't forget the other important components of a comprehensive fall protection programme: (D) descent and rescue, (E) education and (F) fall protection for tools.



Anchorage

Anchorage is a secure point of attachment. Anchorage connectors vary by industry, job, type of installation and structure. They must be able to hold fast under the load of a fall, working in suspension or a rescue.

A

+



Body support

Harnesses distribute fall forces over the upper thighs, pelvis, chest and shoulders. They provide a connection point on the worker for the personal fall protection system.

B

+



Connecting devices

Products such as shock absorbing lanyards or self-retracting lifelines connect a worker's harness to the anchorage.

C

+



Descent and rescue

Descent and rescue devices are used to raise or lower a fallen or injured worker to safety or retrieve him from a confined space.

D

+



Education

We offer a variety of best-in-class certified training courses for work at height and confined spaces at our state-of-the-art training centres located around the world.

We can also bring training to your workforce with our specialised demonstration vehicle providing an excellent introduction to fall protection.

E

+



Fall protection for tools

3M™ DBI-SALA® Fall Protection for Tools helps make work environments safer and more productive by reducing dropped object incidents.


F



3M™ DBI-SALA® Hoist Systems

3M™ DBI-SALA® Hoist Systems are designed for manhole and confined space entry/retrieval applications.

These units are constructed of lightweight materials including high-strength aluminium. The davit pivots for ease-of-rescue and has adjustment for overhead clearance restrictions. The lower base adjusts to fit most standard entries. Many other portable and fixed bases are available to suit any jobsite need.

 Watch the video here!



3M™ DBI-SALA® 5-Piece Davit Hoist System - Short

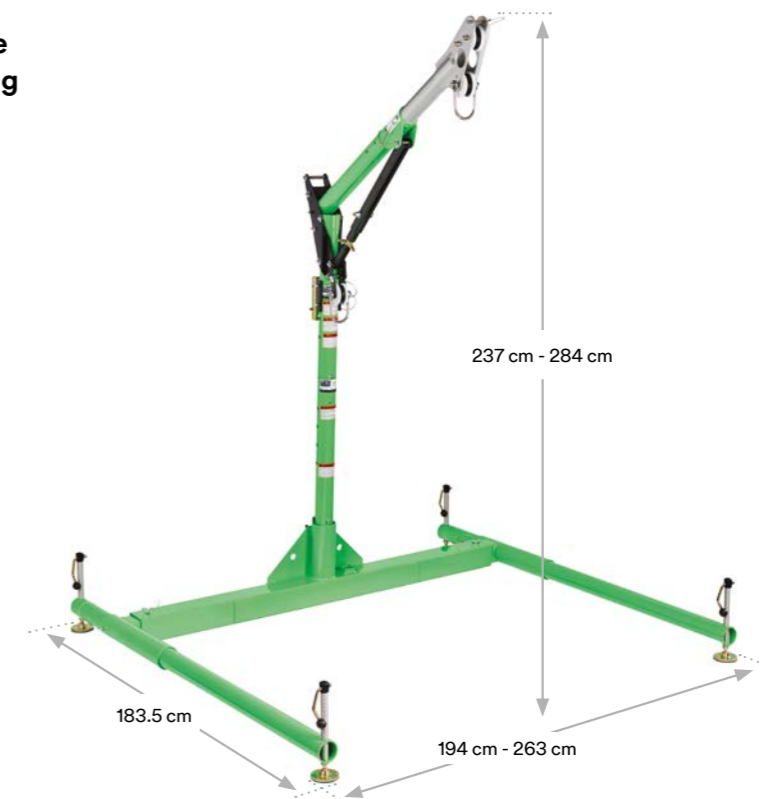


	←.....→	kg
8568000	S	45.00

Includes Short offset adjustable offset upper mast (8568001), 83.8 cm lightweight lower mast (8568002) and 3-piece lightweight base (8568005). Includes winch mounting bracket. Order winch and SRL separately.

CE
EN795
CLASS B

3M™ DBI-SALA® 5-Piece Davit Hoist System - Long



	←.....→	kg
8568040	L	60.00

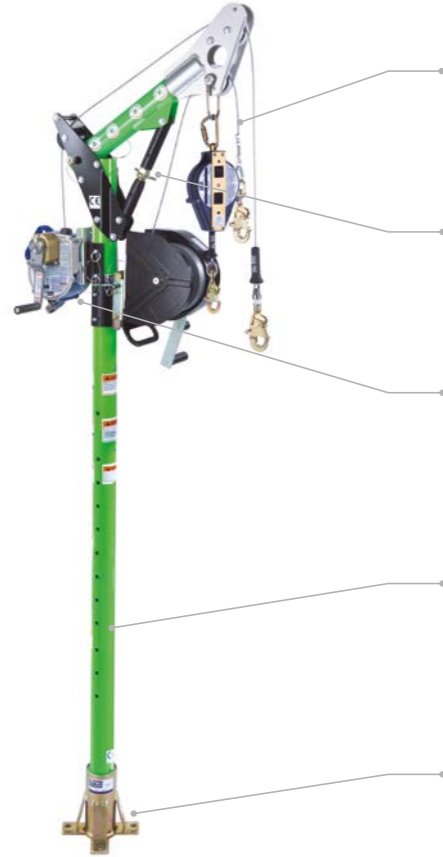
Includes Long offset adjustable upper mast (8568006), 33" (838 mm) lightweight lower mast (8568002), and 3-piece lightweight base (8568008). Includes winch mount brackets. Order winch and SRL separately.

CE
EN795
CLASS B



3M™ DBI-SALA® Variable Offset Davits are designed for use where multiple offset masts are required.

The Variable Offset Masts may be equipped with front mounted and/or back mounted winches or SRL's and feature an EN795 class B CE anchor point for fall-arrest anchorage. For applications with overhead clearance restrictions, the adjustable height of the Variable Offset Masts can eliminate the need for custom length masts and mast extensions. The addition of the quick-release pin allows for easy collapsibility and transport.



Fall Arrest Anchorage

Davits feature an EN795 class B CE anchor point for fall arrest anchorage.

Adjustable Height

Eliminates the need for custom length masts and extensions.

Winch Options

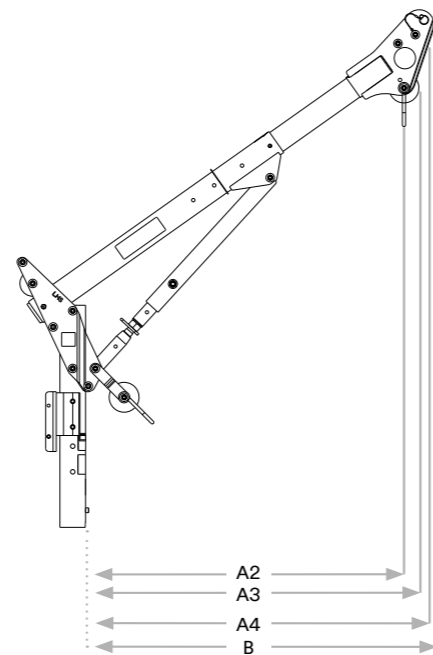
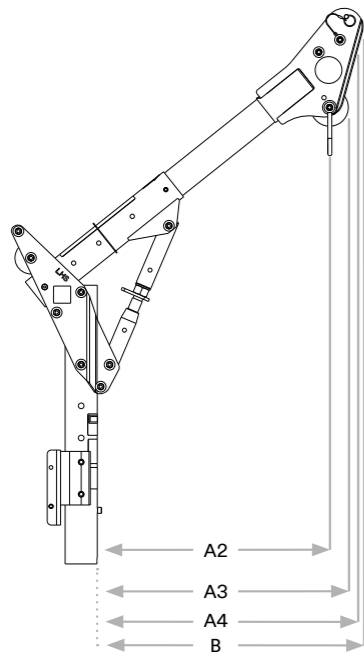
Davits can be equipped with back mounted winches or SRL's with retrieval capabilities.

Lower Mast Extensions

Allow the user to increase the overall anchorage height of the system granted that the limitations of use of the IFU are followed.

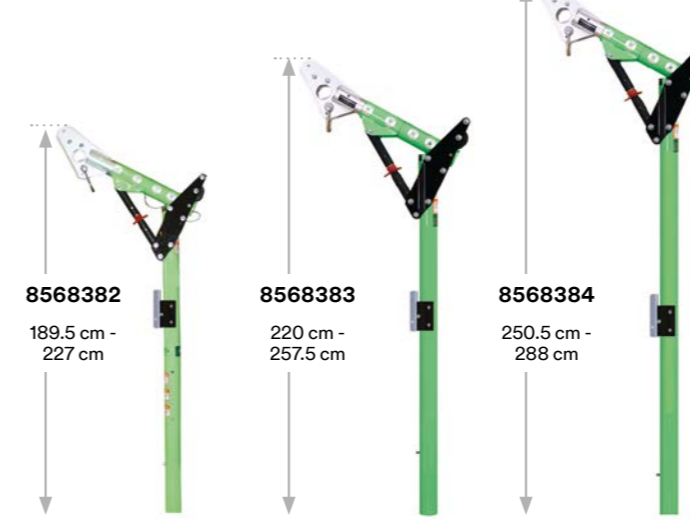
Base Options

Several portable and fixed base options are available for complete versatility.

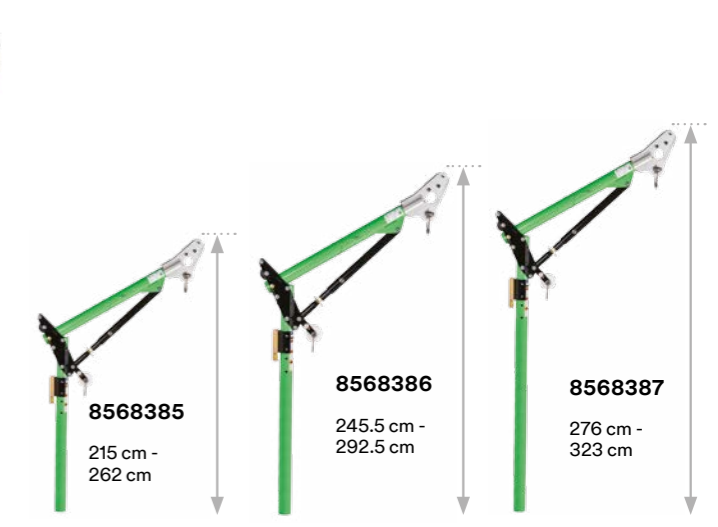


	Short Offset		Long Offset	
	Min.	Max.	Min.	Max.
B	33.5 cm	73.5 cm	62 cm	109 cm
A4	32 cm	70.5 cm	60 cm	106 cm
A3	32 cm	65.5 cm	60 cm	101.5 cm
A2	28.5 cm	62 cm	57.5 cm	99 cm

3M™ DBI-SALA® One-Piece Adjustable Offset Davit Mast - Short



3M™ DBI-SALA® One-Piece Adjustable Offset Davit Mast - Long



One-Piece Adjustable Offset Davit Mast

	Description	kg
8568382	Short Offset Adjustable Mast, 33.5 cm to 73.5 cm, Anchor Point Height 189.5 cm to 227 cm	14.06
8568383	Short Offset Adjustable Mast, 33.5 cm to 73.5 cm, Anchor Point Height 220 cm to 257.5 cm	15.40
8568384	Short Offset Adjustable Mast, 33.5 cm to 73.5 cm, Anchor Point Height 250.5 cm to 288 cm	16.78
8568385	Long Offset Adjustable Mast, 62 cm to 109 cm, Anchor Point Height 215 cm to 262 cm	16.33
8568386	Long Offset Adjustable Mast, 62 cm to 109 cm, Anchor Point Height 245.5 cm to 292.5 cm	17.70
8568387	Long Offset Adjustable Mast, 62 cm to 109 cm, Anchor Point Height 276 cm to 323 cm	21.50

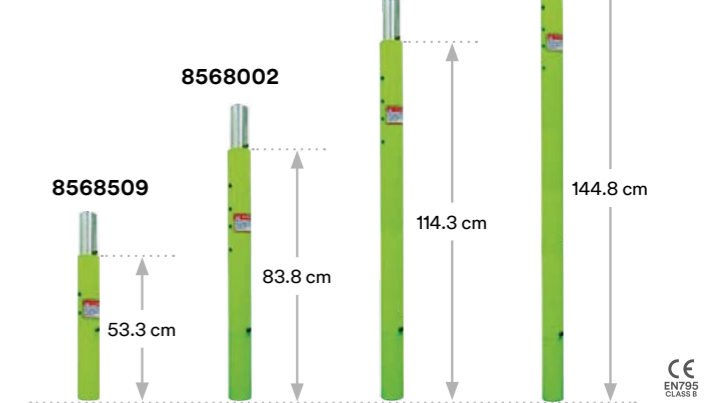
3M™ DBI-SALA® Adjustable Offset Davit Masts



	kg
8568001	10.00
8568006	12.00

Small offset adjustable mast - never more than 2 lower mast extensions for upper davit max. 2286 mm (90") of mast extensions. Weight: 11.25 kg (25 lbs). Large Offset Adjustable Mast - Only one mast extension allowed for upper davit. Weight: 13.75 kg (30.5 lbs)

3M™ DBI-SALA® Lower Mast Extension



	cm	kg
8568509	53.3 cm	3.80
8568002	83.8 cm	8.20
8568003	114.3 cm	9.50
8568004	144.8 cm	10.90

Working length lower mast/extensions for use only with 3M™ DBI-SALA® Hoist System, meeting limitation of use of upper masts.



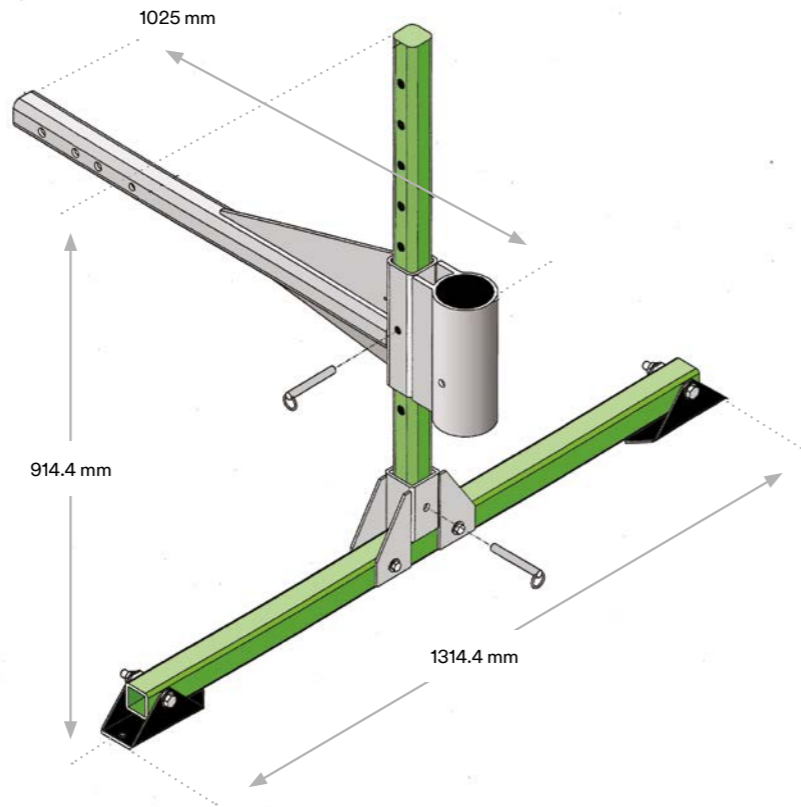
3M™ DBI-SALA® Vehicle Hitch Mount Sleeve System

The 3M DBI-SALA Vehicle Hitch Mount Sleeve is designed to install into an attendant vehicle to provide a portable anchor point for confined space entry/retrieval, rescue and fall-arrest systems.

[▶ Watch the video here!](#)



3M™ DBI-SALA® Vehicle Hitch Mount Systems



	Description	kg
8560140	For short offset davit	25.80
8520886	Universal Hitch Ball Coupler	7.60
8511401	Universal Joint Assembly	4.50

*8520886 and 8511401 must not be used together

3M™ DBI-SALA® Side Entry System

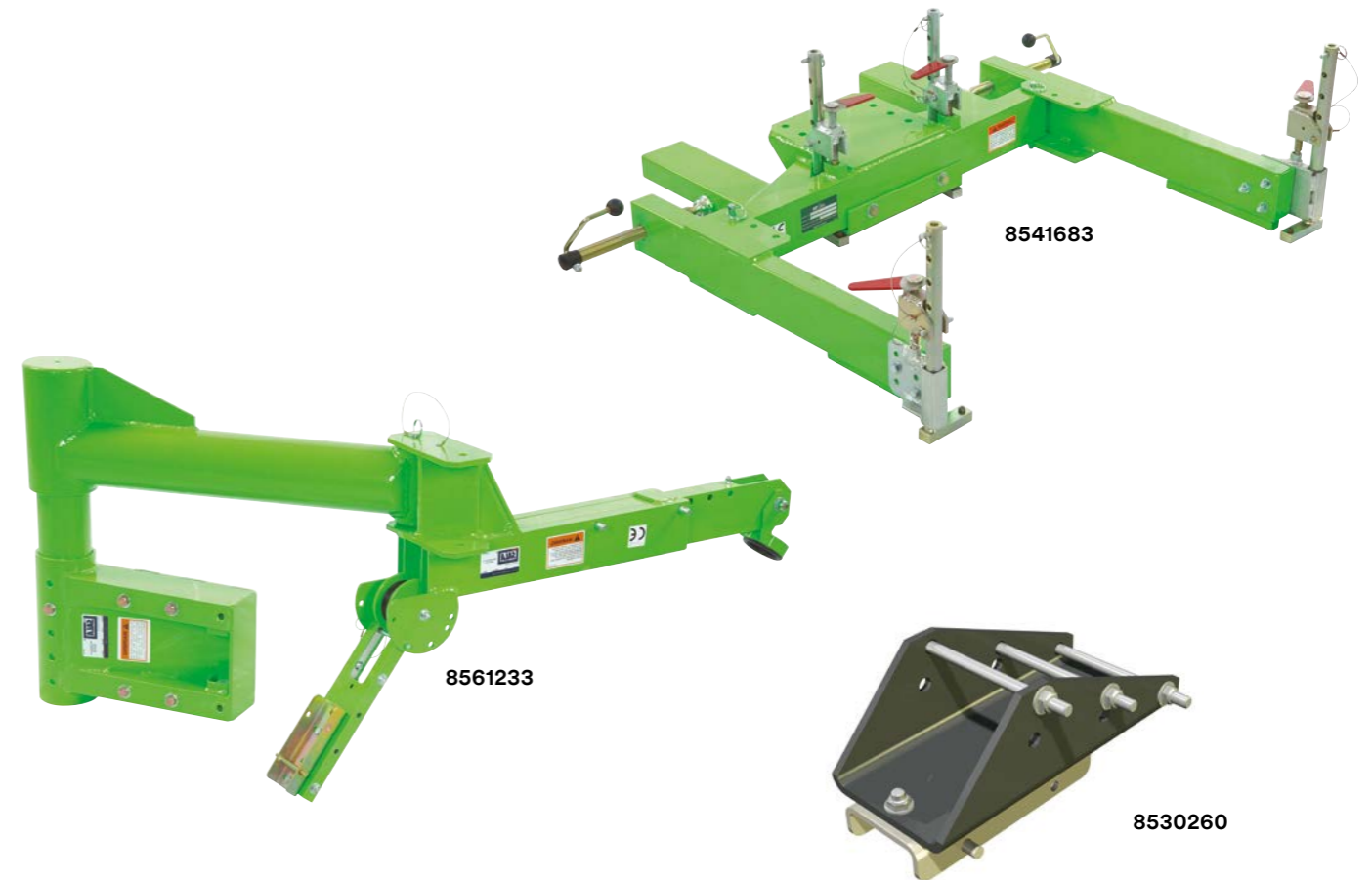
The 3M™ DBI-SALA® side entry system is designed for confined space entry/retrieval and rescue operations involving horizontal entries with vertical positioning or retrieval required inside the space.

The 3M DBI-SALA Side Entry System 8561233 may be used with the model 8541683 External Adjustable Tank Collar for adaptation to different manways.

[▶ Watch the video here!](#)



3M™ DBI-SALA® Side Entry System for Portable Mount Applications



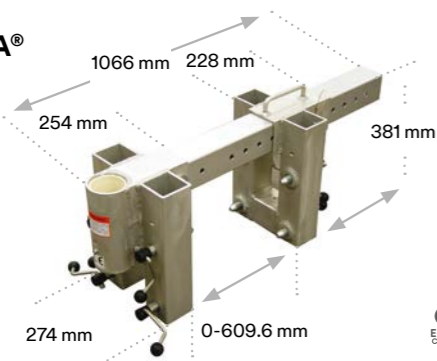
	Description	kg
8561233	Side Entry System Package for use with external adjustable tank collar or permanently mounted bases	31.30
8541683	External Adjustable Tank Collar, w/tie bar assemblies, used to fit outside of manway	23.50
8530260	Kit secondary winch mounting bracket. Allows you to mount your digital winch underneath, opening up the top winch mount location for a 3-way SRL	2.09



3M™ DBI-SALA® Portable and Fixed Bases work with a variety of 3M™ DBI-SALA® Davit Arm and Mast Extensions.

Portable bases are ideal for work areas where frequent set-up and tear down is required. Fixed bases mount to existing structures.

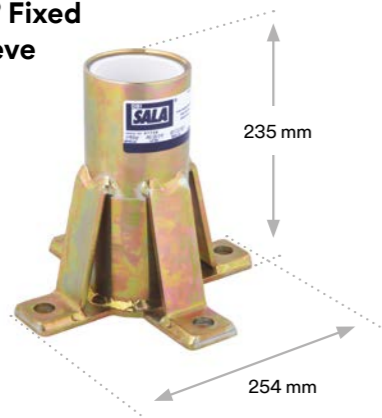
3M™ DBI-SALA® Adjustable Barrel Mount Sleeve Davit Base



	Adjustability	Weight (kg)
8562285	0-60.90 cm	26.00

Designed for shoring, wall and parapet applications where frequent set-up over varying wall thicknesses is required. Anodized, welded aluminium with zinc plated steel hardware for lightweight durability. Comes with inner sleeve. Can only be used with a short offset davit.

3M™ DBI-SALA® Fixed Floor Mount Sleeve Davit Base



	Description	Weight (kg)
8566190	Zinc-plated mild steel	26.00
8568347	304 stainless steel	5.90

Mounts to horizontal concrete or steel structure. Comes with PVC sleeve liner.

3M™ DBI-SALA® Heavy Duty Sleeve Cap



	Description	Weight (kg)
8510826	High strength, galvanized steel model	0.52
8510827	High strength, stainless steel model	0.40

3M™ DBI-SALA® Portable Barrel Mount Sleeve with 89 mm (3.5") Opening



	Weight (kg)
8560323	16.60 kg

Mild steel construction. Eight independent clamping screws allow temporary installations over edges of shoring cans, walls and other structures. Comes with PVC inner liner. Can only be used with a short offset davit.

3M™ DBI-SALA® Fixed Core Mount Sleeve Davit Base



	Description	Weight (kg)
8560109	Zinc-plated mild steel	3.60
8560110	Stainless steel	3.60

Designed for slip-in installation into 101.6 mm (4") core hole in concrete or in an existing steel structure. Comes with PVC sleeve liner.

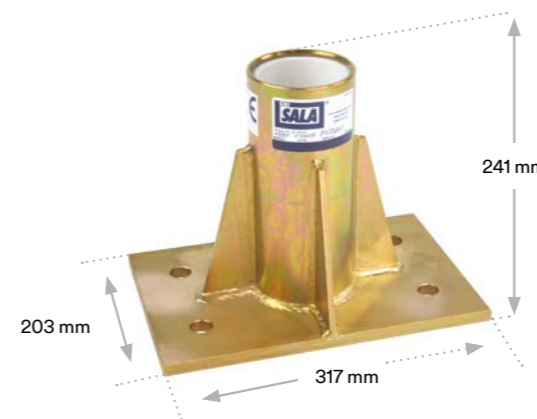
3M™ DBI-SALA® Fixed Flush Floor Mount Sleeve Davit Base



	Description	Weight (kg)
8560316	Mild steel construction	9.50
8562827	Stainless steel construction	9.50

Recessed fastener pockets allow for bolt-in installation into existing concrete. Flush mount design allows passage of traffic and eliminates trip hazards when not in use. Comes with PVC sleeve liner.

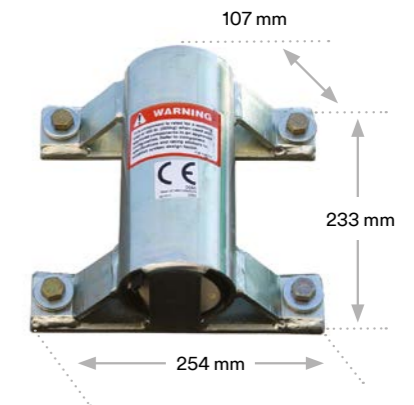
3M™ DBI-SALA® Centre Mount Sleeve Davit Base



	Description	Weight (kg)
8562831	Zinc-plated mild steel	5.40
8566563	Stainless steel	5.40

Mounts to horizontal concrete or steel structure. Comes with PVC sleeve liner.

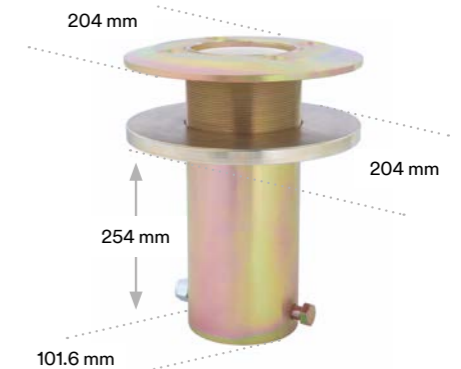
3M™ DBI-SALA® Fixed Wall Mount Sleeve Davit Base



	Description	Weight (kg)
8566191	Zinc-plated mild steel construction	5.50
8568348	304 stainless steel construction	5.50

Compact design creates minimum intrusion into work space. Mounts to vertical concrete or steel structures. Comes with PVC sleeve liner.

3M™ DBI-SALA® Fixed Deck Mount Sleeve Davit Base



	Description	Weight (kg)
8565162	Zinc-plated mild steel	7.70
8565834	Stainless steel	7.70

Designed to slip into a 101.6 mm (4") hole in existing steel-structure flooring. Flush mount design allows passage of traffic and eliminates trip hazards when not in use. Comes with all necessary hardware, supplied screws are 12.7 mm to 39 mm. Mounts to thicknesses from 6.4 mm (1/4") to 50.8 mm (2.0") max.

These essential accessories make transportation and storage of your 3M™ DBI-SALA® Davit Systems and Components simple and easy.



The 3M™ DBI-SALA® Pole Hoist attaches with a carabiner on the universal bracket to a suitable anchor point, allowing you to work in any direction from any angle.

The 3M DBI-SALA Pole Hoist System features a swivel head that rotates 360 degrees, providing unparalleled flexibility in both vertical and horizontal confined-space entries. Overall length adjusts from either 4' - 7' (1.2 m - 2.13 m) or 6' - 10' (1.8 m - 3.05 m) for positioning attendant for working in close quarters.

Custom Pole Hoist sizes are available. Please call for more details.



3M™ DBI-SALA® Carrying Bag



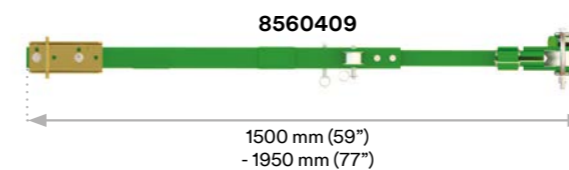
3M™ DBI-SALA® 5-Piece Davit Hoist Equipment Cart



8518270	8.90
----------------	-------------

Transport the 3M DBI-SALA 5 Piece Davit Hoist System with maximum ease over smooth or rough terrain. Ideal for tight storage situations.

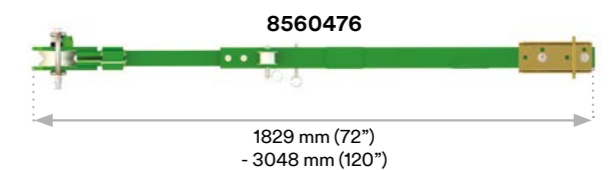
3M™ DBI-SALA® Pole Hoist System



8560409	5.40
----------------	-------------

1.2 m - 2.13 m (4' - 7') Extendible Pole Hoist, swivel head & stainless steel hardware. Includes winch bracket.

3M™ DBI-SALA® Pole Hoist System



8560816	5.30
----------------	-------------

Unplated mild steel construction.

	Description
8513330	Carrying Bag with protective plastic liner for Davit arms (8568383, 8568384, 8568386 and 8568387)
8513564	Carrying Bags for 8568001 upper mast and 8568002 lower mast w/protective plastic liner
8518513	Set of 2 Carrying Bags for Model 8568000 5 Piece Hoist systems
8513565	Carrying Bags for 3 Piece Base c/w protective plastic liner. (8568005)
8513329	Carrying Bag for Davit (8568382, 8568385)

Accessory Options

	Description
8561235	T-bar leg assembly with stainless steel hardware (required)
8513329	Carrying Bag for 1.2 m - 2.13 m (4' - 7') Pole Hoist
8513330	Carrying Bag for 1.8 m - 3.05 m (6' - 10') Pole Hoist

The 3M™ DBI-SALA® Counterweight System is composed of a central base unit to accommodate a variety of anchoring options, positioning and adjustment legs and extension assemblies.

Anchoring options include a weight rack for counter balanced applications, and a wheel pad assembly to allow counter balance of the unit with an attendant vehicle.

Note: Individual weight plates sold separately.



The Counterweight Base assembles and disassembles without tools and can be fitted with a variety of anchorage and davit arm options for complete versatility.

The Pole Leg Assembly system is ideal for use with the Counterweight Rack and Vehicle Counterweight Wheel Pad to adjust the height of the system to accommodate a leading edge.

The Screw Leg Assembly System is ideal for use with the Counterweight Cart and Catwalk Clamp.

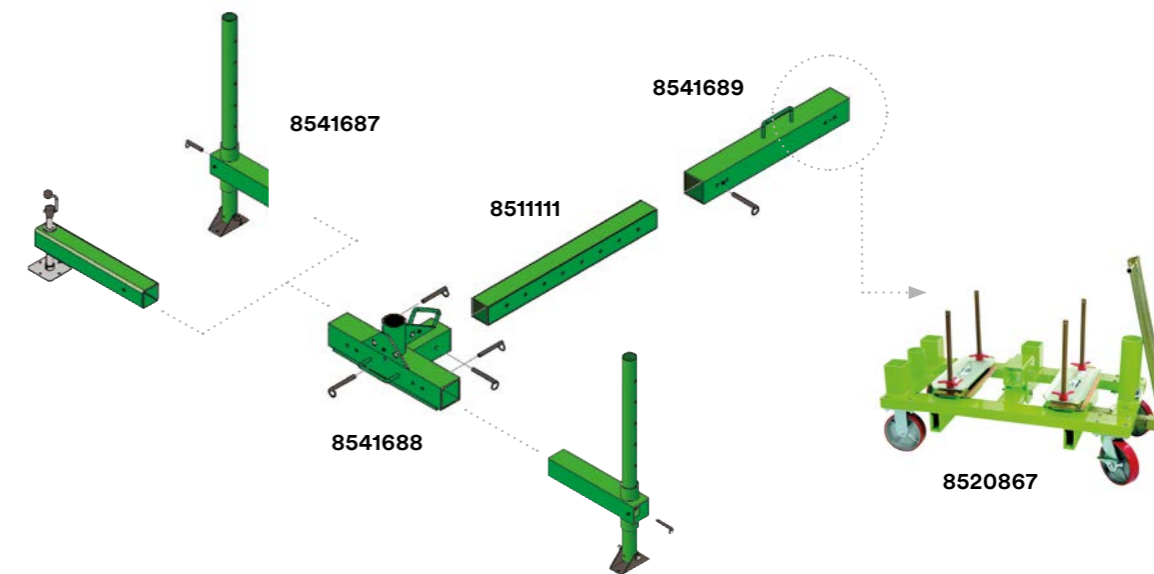


3M™ DBI-SALA® Counterweight System Base



	Description	kg
8562894	with Pole Leg Assembly	90.20

Note: Winch and davit not included.
*Can only be used with a short offset davit.



	Description	kg
8541688	Centre Section Base For Counterweight System	9.90
8511111	914 mm (36") Inner Extension Tube for the Counterweight Base	4.50
8541689	787 mm (31") Outer Extension Tube for the Counterweight Base	5.40
8541687	Adjustable Height Pole Leg Section To accommodate maximum 736 mm (29") offset. Requires two. *Can only be used with a short offset davit	2.70
8514418	Adjustable Height Pole Leg Section To accommodate maximum 1219 mm (48") offset. Requires two. *Can be used with a short or long offset davit	3.60
8541693	Leg Section with Screw Legs To accommodate maximum 0 - 736mm (0" - 29") offset. Requires two. *Can only be used with a small offset davit. 5.4 kg (12 lbs)	5.40
8520887	Leg Section with Screw Legs To accommodate maximum 762 mm - 1219 mm (30" - 48") offset. Requires two. *Can be used with a short or long offset davit	6.30
8520867	Counterweight Cart Offers a portable solution to move your counterweight easily & effectively in areas throughout a plant on level ground. Weight plates sold separately. Use with Pole Leg assemblies 8513153 & 8514418	107.00

3M™ DBI-SALA® Tripods Systems are constructed of lightweight tubular aluminium with a rugged steel head assembly.

The 3M DBI-SALA UCT-300 and UTC-1000 Tripods can be combined with up to three pulleys to accommodate a variety of winches and fall-arrest devices to meet a wide range of confined space entry/retrieval and rescue requirements.

Pulleys are mounted on top of the head assembly to provide extra overhead clearance in tight situations. Quick release pins positively locate components at all adjustment points for tool-less setup and adjustment.



3M™ DBI-SALA® Tripod UCT-300



8563158	21.60
---------	-------

Advanced UCT-300 7 ft. (2.13 m) Tripod with adjustable locking legs, safety chains, top pulley & winch bracket.
Note: Winch not included

3M™ DBI-SALA® Tripod UCT-1000



8563159	30.80
---------	-------

UCT-1000 aluminium 10 ft. (3.048 m) Tripod with adjustable locking legs, safety chains, top pulley & winch bracket.
Note: Winch not included.



Tripod Accessories

	Description
8513329	Carrying bag with protective plastic liner for 7 ft. (2.13 m) Tripod
8513330	Carrying bag with protective plastic liner for 10 ft. (3.05 m) Tripod



8510224



8512292



3M™ DBI-SALA® Top Pulley Assembly for UCT 300 & 1000 Tripods

3M™ DBI-SALA® Winch/SRL Mounting Brackets

	Description	kg
8510224	For UCT-3000 Tripod	1.40
8512292	For UCT-1000 Tripod	2.40

Attaches to the leg tube with quick-release pins for tool-less set-up and adjustment.

8512293	0.73
---------	------

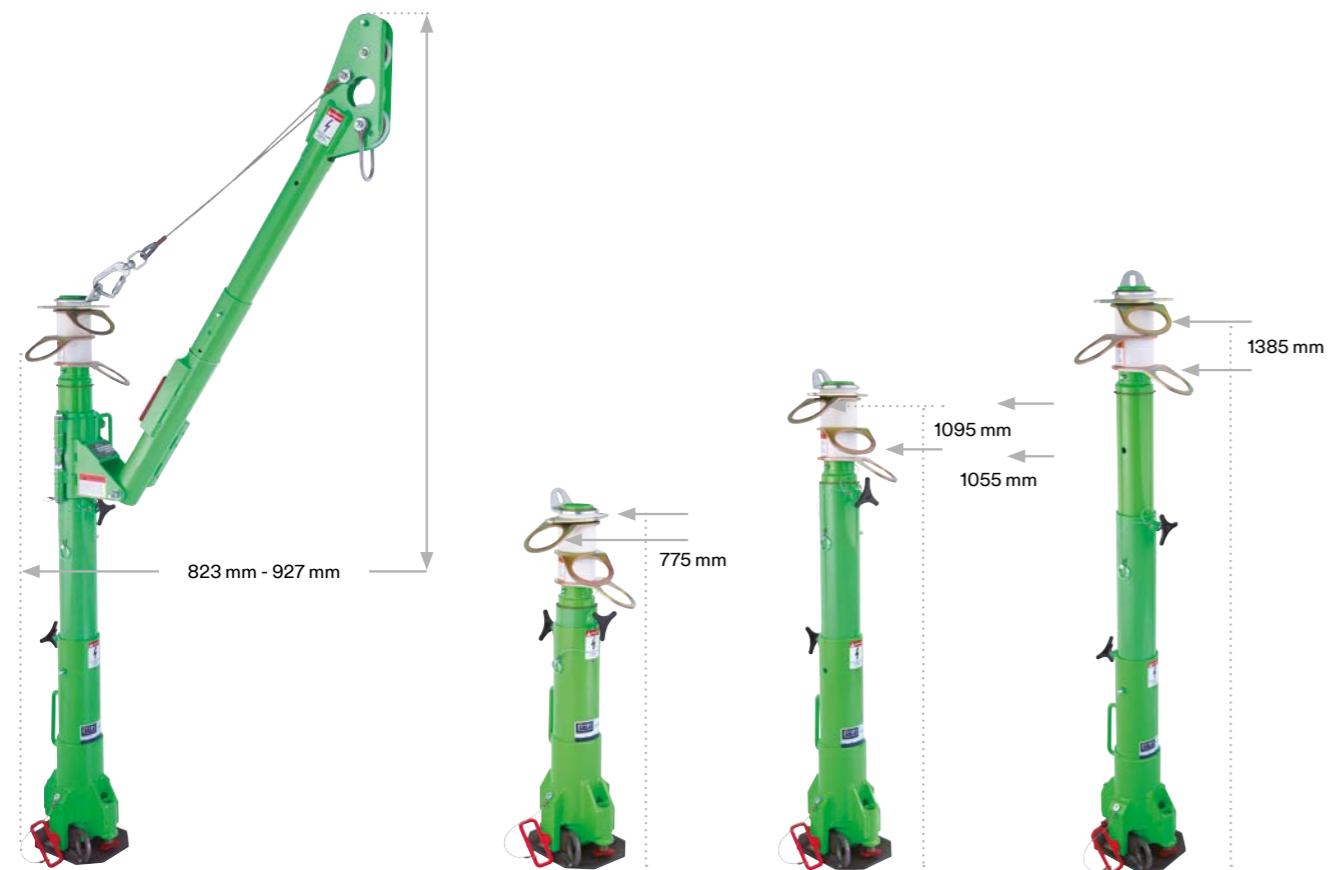
Pulleys are mounted on top of the head assembly to provide extra overhead clearance in tight situations.

The 3M™ DBI-SALA® Portable Fall Arrest Post is specifically designed for use on top of transformers or other types of vertical platforms with potential fall hazards.

It's compact and lightweight design of only 17.2 kg (38 lbs) makes the post very easy to transport and put in place. The system features 3 independent swivel anchor points. They can rotate 360 degrees, offering freedom of mobility for up to 3 workers with self-retracting lifelines or fixed length lanyards.

The 3M DBI-SALA Portable Fall-Arrest System has 3 telescopic working heights ranging from 774 mm (30.5") 1092 mm (43"), all the way up to 1384 mm (54.5"). This decreases a worker's fall distance and increase the overall work area.

Note: The Rescue Davit Arm works in the 2nd and 4th positions only.



3M™ DBI-SALA® Portable Fall Arrest Post

	Description	kg
8566691	Portable fall arrest post	17.20
8566693	Portable Fall Arrest Post Rescue Davit Arm	9.30
8517565	Heavy-duty carrying bag for Davit Arm only	0.68

The optional Rescue Davit Arm assembles easily to address rescue needs. It's made with lightweight aluminium materials for easy transportation and setup. *Note: The Rescue Davit Arm works in the 2nd and 4th positions only.

3M™ DBI-SALA® Anchor Post Extension



CE EN795 CLASS B

	kg
8566692	2.20

Allows for tie-off of one worker at an increased height of 1740 mm (68.5").

3M™ DBI-SALA® Portable Fall Arrest System Anchor Base with Tie-Off Anchor

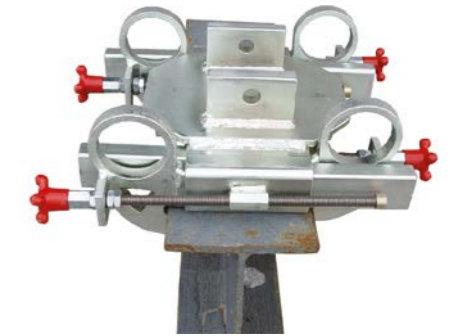


8567412

CE EN795 CLASS B

	Description	kg
8567412	To be welded, bare steel	5.60
8569819	To be bolted down, zinc plated steel	19.30
8567422	To be welded, sandblasted bare steel to be painted	5.60

3M™ DBI-SALA® Portable Fall Arrest System i-Beam Base



CE EN795 CLASS B

	kg
8566997	25.50

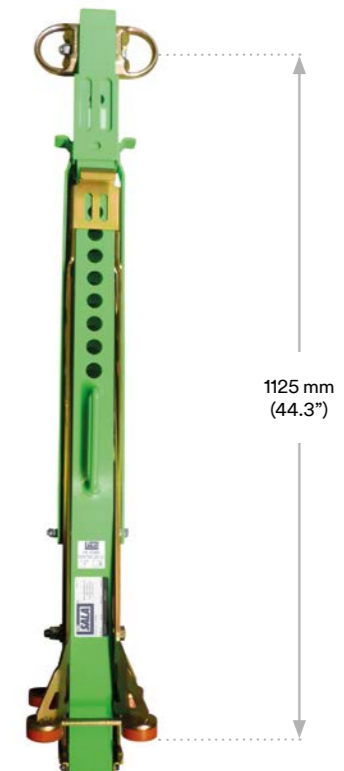
For connecting the PFAS to an I-Beam.

3M™ DBI-SALA® ISO Container Fall Arrest Post

CE EN795 CLASS B

	kg
8563161	12.00

Compatible with all ISO certified containers. Provides an elevated anchorage point reducing fall clearance requirements. Ensures total fall protection solution, even while working on a single container. No tools or container modification required.





3M™ DBI-SALA® Digital Winches

3M™ DBI-SALA® Digital winches are rated for a maximum working load of 204 kg (450 lbs) with an 11:1 safety factor. This winch has two cranking speeds capable of retrieval/descent from 4 m/min (13 ft/min) to 9 m/min (30 ft/min).

3M DBI-SALA digital winches are available in 3 standard sizes. They accommodate various diameters of cables up to 9.5 mm (3/8") and ropes up to 15.9 mm (5/8"). All cable/rope assemblies come with a double locking swivel snap hook with overload indicator.

Man Rated

For raising, lowering or supporting personnel. Working load 204 kg (450 lbs). Designed specifically for confined space entry/retrieval.

Digital Usage Indicator

The exclusive "digital usage indicator" system counts the revolutions of the drum to determine service intervals. Additional standard features include a braking system with 3 independent working pawls, centrifugal back-up brake, carrying handle and cable retainer spring.

Compliant Hardware

Double locking swivel safety snaps standard on all cables. Sealed bearings at all contact points. All hardware is zinc plated. All components are zinc-plated steel or anodized aluminium.

Triple Redundant Braking Mechanism

A friction brake is engaged by a minimum of 2 kg (5 lbs). Brake pad wear indicator monitors the condition of the braking mechanism, which features an inertial (centrifugal) safety back up brake.



3M™ DBI-SALA® Digital Winch Series 100. 2 Speed Winch with Removable Handle

	Description	Actual Length	Working Length	kg
8518560	Removable Handle, galvanised steel cable	21.3 m (70 ft)	18 m (60 ft)	13.80
8518558	Removable Handle, stainless steel cable	21.3 m (70 ft)	18 m (60 ft)	13.80
8518561	Removable Handle, galvanised steel cable	30 m (100 ft)	27 m (90 ft)	14.70
8518559	Removable Handle, stainless steel lifeline	30 m (100 ft)	27 m (90 ft)	14.70

Includes a removable aluminium crank handle to utilise both the 9:1 and 4:1 drives. These two drives offer the capability of retrieval/descent at average speeds from 4 m/min (13 ft/min) up to 9 m/min (30 ft/min).

3M™ DBI-SALA® Digital Winch Series 100 Power Drive. 2 Speed Winch with 9:1 Power Drive & 4:1 Removable Handle

	Description	Actual Length	Working Length	kg
8518567	Power drive & removable handle, galvanised steel cable	21.3 m (70 ft)	18 m (60 ft)	13.80
8518565	Power drive & removable handle, stainless steel cable	21.3 m (70 ft)	18 m (60 ft)	13.80
8518568	Power drive & removable handle, galvanised steel cable	30 m (100 ft)	27 m (90 ft)	14.70
8518566	Power drive & removable handle, stainless steel cable	30 m (100 ft)	27 m (90 ft)	14.70

Features a power drive hub on the 9:1 drive. An overload protection clutch installs between this power drive hub and an electric or pneumatic drill to eliminate overloading the winch during retrieval. This clutch also protects the winch operator and the retrieved worker from injury. The clutch is installed and removed without the use of tools when switching to the 4:1 manual crank option in emergencies. (8512936: Overload Protection Clutch sold separately.)

3M™ DBI-SALA® Digital Winch Series 200. 2 Speed Winch with Removable Handle

	Description	Actual Length	Working Length	kg
8518581	Removable Handle, galvanised steel cable	45.7 m (150 ft)	42 m (140 ft)	18.40
8518579	Removable Handle, stainless steel cable	45.7 m (150 ft)	42 m (140 ft)	18.40
8518582	Removable Handle, galvanised steel cable	61 m (200 ft)	58 m (190 ft)	19.50
8518580	Removable Handle, stainless steel cable	61 m (200 ft)	58 m (190 ft)	19.50

Includes a removable aluminium crank handle to utilise both the 9:1 and 4:1 drives. These two drives offer the capability of retrieval/descent at average speeds from 4 m/min (13 ft/min) up to 9 m/min (30 ft/min).

3M™ DBI-SALA® Digital Winch Series 200 Power Drive. 2 Speed Winch with 9:1 Power Drive & 4:1 Removable Handle

	Description	Actual Length	Working Length	kg
8518588	Power drive & removable handle, galvanised steel cable	45.7 m (150 ft)	42 m (140 ft)	18.40
8518586	Power drive & removable handle, stainless steel cable	45.7 m (150 ft)	42 m (140 ft)	18.40
8518589	Power drive & removable handle, galvanised steel cable	61 m (200 ft)	58 m (190 ft)	19.50
8518587	Power drive & removable handle, stainless steel cable	61 m (200 ft)	58 m (190 ft)	19.50

Features a power drive hub on the 9:1 drive. An overload protection clutch installs between this power drive hub and an electric or pneumatic drill to eliminate overloading the winch during retrieval. This clutch also protects the winch operator and the retrieved worker from injury. The clutch is installed and removed without the use of tools when switching to the 4:1 manual crank option in emergencies. (8512936: Overload Protection Clutch sold separately.)

3M™ DBI-SALA® Digital Winch Series 300. 2 Speed Winch with Removable Handle

	Description	Actual Length	Working Length	kg
8518603	Removable Handle, galvanised steel cable	76.2 m (250 ft)	73 m (240 ft)	22.60
8518601	Removable Handle, stainless steel cable	76.2 m (250 ft)	73 m (240 ft)	22.60
8518604	Removable Handle, galvanised steel cable	91 m (300 ft)	88 m (290 ft)	24.30
8516802	Removeable Handle, stainless steel cable	91 m (300 ft)	88 m (290 ft)	24.30

Includes a removable aluminium crank handle to utilise both the 9:1 and 4:1 drives. These two drives offer the capability of retrieval/descent at average speeds from 4 m/min (13 ft/min) up to 9 m/min (30 ft/min).

3M™ DBI-SALA® Digital Winch Series 300 - Power Drive. 2 Speed Winch with 9:1 Power Drive & 4:1 Removable Handle

	Description	Actual Length	Working Length	kg
8518610	Power drive, galvanised steel cable	76.2 m (250 ft)	73 m (240 ft)	22.60
8518608	Power drive, stainless steel cable	76.2 m (250 ft)	73 m (240 ft)	22.60
8518611	Power drive, galvanised steel cable	91 m (300 ft)	88 m (290 ft)	24.30
8518609	Power drive, stainless steel cable	91 m (300 ft)	88 m (290 ft)	24.30

Features a power drive hub on the 9:1 drive. An overload protection clutch installs between this power drive hub and an electric or pneumatic drill to eliminate overloading the winch during retrieval. This clutch also protects the winch operator and the retrieved worker from injury. The clutch is installed and removed without the use of tools when switching to the 4:1 manual crank option in emergencies. (8512936: Overload Protection Clutch sold separately.)



3M™ DBI-SALA® Salalift™ II Rescue Winch

	Description	Working length	kg
KT2PW60L	6 mm (1/4") galvanized steel cable, mounting bracket & winch bag	18.3 m (60 ft)	35.27
KT2PW120L	5 mm (3/16") galvanized steel cable, mounting bracket & winch bag	36.6 m (120 ft)	38.62

The 3M™ DBI-SALA® Salalift II winch is manually operated for easy operation. Simply rotate the handle to rescue personnel. Gear ratio is 6:1 with an average lifting speed of 12.75 ft/min (3.8 m/min). No power source is required. The Quick-Mount System incorporates a quick-mount bracket which mates with a bracket on all 3M DBI-SALA support structures allowing the user to attach/detach device with a detent pin to make retrofitting easy (no additional hardware needed).

EN 1496

3M™ DBI-SALA® Winch/SRL Flat Back Adapter



8510207	0.91 kg
---------	---------

Flat back adapter for winch / SRL.

3M™ DBI-SALA® Quick Release Mounting Bracket



8516824	0.73 kg
---------	---------

Quick release mounting bracket for 3M DBI-SALA Advanced Upper and Lower Masts.

3M™ DBI-SALA® Overload Clutch for Power Drive Digital Winch



8512936	0.68 kg
---------	---------

Features a maximum working load of 204 kg (450 lbs.). Use with cordless drill 0-300 RPM, 45 N.m torque minimum.

3M™ DBI-SALA® Carrying Bag for Digital Winch



8517567	1.00 kg
---------	---------

For basic or digital winch, c/w Carrying Handle.

3M™ DBI-SALA® Sealed-Blok™ Retrieval SRL Mounting Bracket



3401025	For 9 m, 15 m and 25 m SRL	0.70 kg
---------	----------------------------	---------

Attaches to 3M™ DBI-SALA® Sealed-Blok™ Retrieval SRL models, supplied with mounting bolts, mates with 8510207.

For more information on the complete range of 3M™ Fall Protection Products visit www.3M.com/FallProtection

3M Fall Protection Product Catalogue.

3M Fall Protection | ☎ 00 800 999 55500

3M™ Personal Protective Equipment (PPE).

3M is passionate about protecting the health and safety of workers in all types of industries and workforce environments.

This passion helps drive us to continue to innovate across technologies, disciplines, and industries to help keep your workers safe and protected.

We strive to deliver comfortable, well-designed personal protective equipment (PPE) that offers your workers the most effective protection available. You can buy 3M Safety PPE, confident in the knowledge that 3M is working hard to provide products that your employees will feel good about wearing.

For more information visit: www.3M.com

Eyewear



Hearing



Fall Protection



Scotchlite™



Respiratory



Protective apparel



Welding



Head & Face



3M Belgium BVBA / SPRL

Hermeslaan 7
1831 Diegem
België / Belgique
E-mail: 3Msafety.be@mmm.com
www.3Msafety.be

3M Danmark

Hannemanns Allé 53
2300 København S
Danmark
E-mail: 3Msikkerhed@mmm.com
www.3Msikkerhed.dk

3M Deutschland GmbH

Carl-Schurz-Straße 1
D - 41453 Neuss
Deutschland
E-mail: arbeitsschutz.de@mmm.com
www.3Marbeitsschutz.de

3M Espana, S.A.

Juan Ignacio Luca de Tena, 19-25
28027 Madrid
Espana
E-mail: ohes.es@3M.com
www.3M.com/es/seguridad

3M France

Boulevard de l'Oise
95006 Cergy Pontoise Cedex
France
www.3M.com/fr/securite

3M Greece

20 Kifissias Ave.
151 25 Maroussi
Athens, Greece
www.3M.com/gr/occsafety

3M Ireland Limited

The Iveagh Building
The Park, Carrickmines
Dublin 18
Ireland
E-mail: ohes.helpline.uk@mmm.com
www.3M.co.uk/safety

3M Italia srl

Via Norberto Bobbio, 21
20096 Pioltello MI
Italia
E-mail: 3Msicurezza@mmm.com
www.3Msicurezza.it

3M Nederland B.V.

Molengraaffsingel 29
2629 JD Delft
Nederland
E-mail: 3Msafety.nl@mmm.com
www.3Msafety.nl

3M Norge A/S

Postboks 100, 2026 Skjetten
Norge
E-mail: kundeservice@mmm.com
www.3M.no/vern

3M Österreich GmbH

Kranichberggasse 4
1120 Wien
Österreich
www.3M.com/at/arbeitsschutz

3M Portugal

Rua do Conde Redondo, 98
1169-009 Lisboa
Portugal
www.3M.com/pt/seguranca

3M Suisse S.a r.l. / Schweiz GmbH

Eggstrasse 93
8803 Rüslikon
Suisse / Schweiz
www.3M.com/ch/safety

Suomen 3M Oy

Keilaranta 6
02150 Espoo
Suomi
www.3M.fi/suojaimet

3M Svenska AB

191 89 Sollentuna
Sverige
E-mail: kundeservice@mmm.com
www.3M.se/personskydd

3M United Kingdom PLC

3M Centre
Cain Road
Bracknell
RG12 8HT
United Kingdom
E-mail: ohes.helpline.uk@mmm.com
www.3M.co.uk/safety

**3M Fall Protection Business**

Capital Safety Group (NE) Ltd
5a Merse Road, North Moons Moat
Redditch, B98 9HL, UK

Capital Safety Group (EMEA)
Le Broc Center, Bâtiment A, Z.1. 1re Avenue – BP15
06511 Carros Le Broc, Cedex, FRANCE

Phone 00 800 999 55500 Email informationfallprotection@mmm.com Web 3M.com/FallProtection

3M, Capital Safety, Protecta, DBI-SALA, Sealed-Blok and Salalift are trademarks of 3M Company.

Registered address: 3M Centre, Cain Road, Bracknell, Berkshire, RG12 8HT. Registered in England and Wales No. 1918922.

Please recycle. Printed in the U.K.
©3M 2017. All rights reserved.
Ref: 9701612