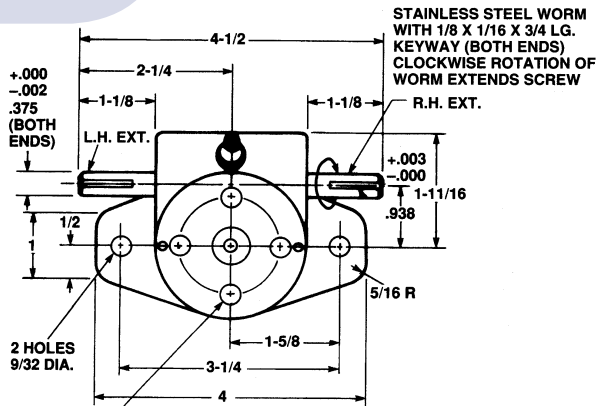


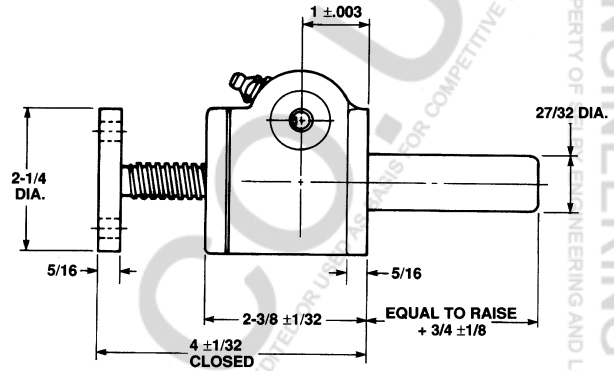
# Machine Screw Actuators

## 500 Pound Capacity

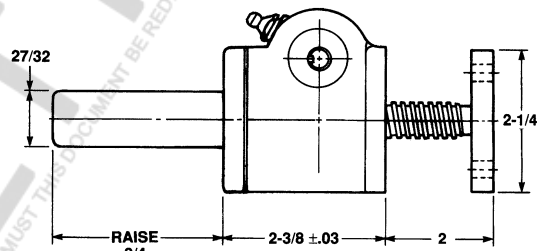


4 HOLES 9/32 DIA. EQUALLY SPACED ON 1-1/2 B.C.

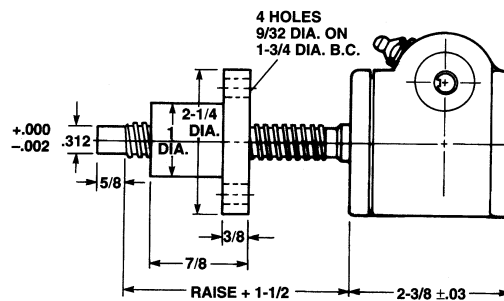
1/2" Diameter x .250 Lead Lifting Screws



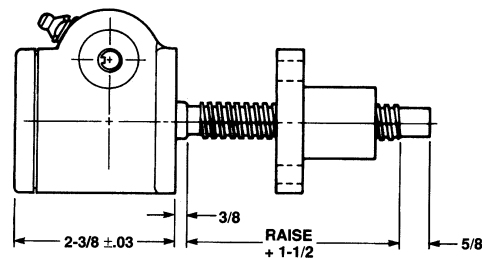
Upright: M-2555



Inverted: M-2554

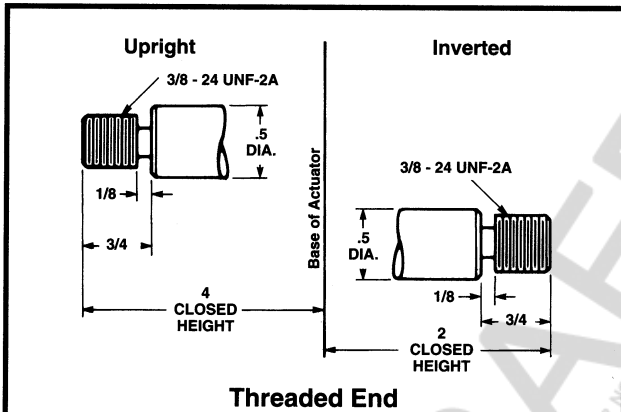


Upright Rotating: UM-2556

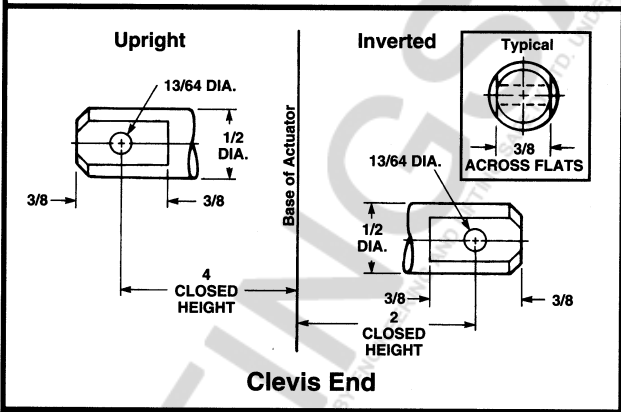


Inverted Rotating: DM-2556

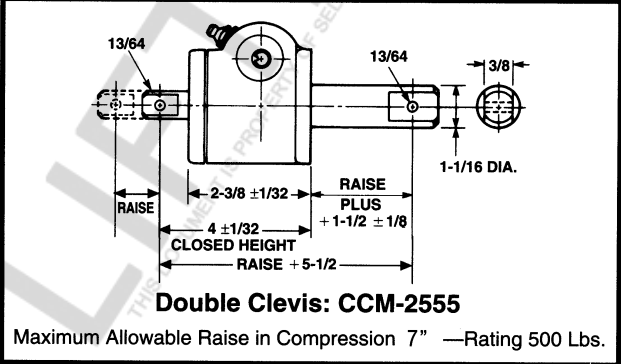
Note: Lifting screw is not keyed. Top should be secured to a lifting member to prevent rotation. When a Bellows Boot is required, see pages 143-144. Dimensions are subject to change without notice. When the lifting screw is keyed, the holes in the top plate will not necessarily be in the position shown.



Threaded End



Clevis End



Double Clevis: CCM-2555

Maximum Allowable Raise in Compression 7" —Rating 500 Lbs.

SELBY ENGINEERING AND LIFTING SAFETY LTD. TEL: +44 (0) 1977 684 600

THIS DOCUMENT IS PROPERTY OF SELBY ENGINEERING AND LIFTING SAFETY LTD. UNDER NO CIRCUMSTANCES MUST THIS DOCUMENT BE REDISTRIBUTED, EDITED OR USED AS BASIS FOR COMPETITIVE TENDER