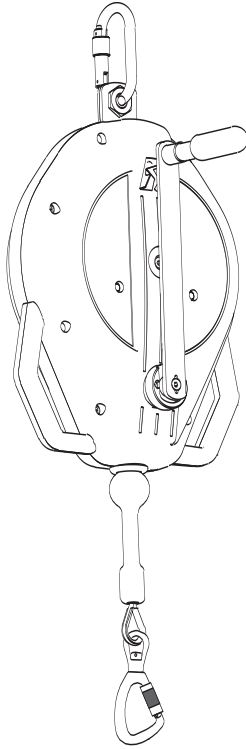


technical data sheet

Fall arrest equipment
Blocfor R
Carol
Tracpode

ref. : **T-2108 GB**
 rev. n° : **00**
 date : **06/2001**
 page : **1/3**

Blocfor R

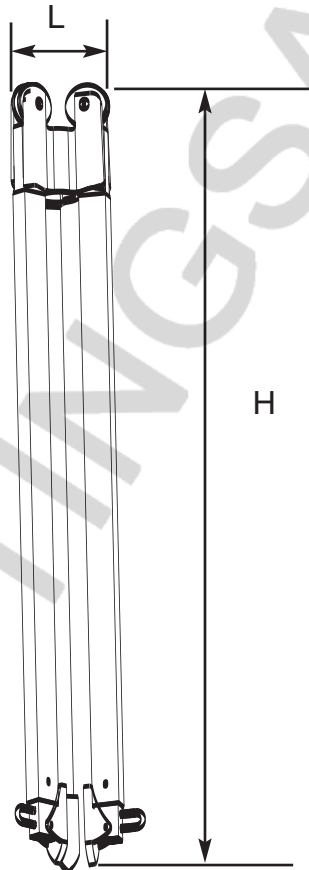


Function

- The **Blocfor R** is a retractable lanyard (**EN 360**) with elevation rescue device for lifting or lowering (**EN 1496 class B**) for occasional use.
- The **Carol TS** hoist is a manual drum hoist used for man ridding. The standard **EN 1808** specified a two wire rope system, it is mandatory to rig on the Tracpode the Carol hoist in conjunction with a fall arrest device like the Blocfor.
- The **Tracpode** tripod is used as a temporary anchorage point (**EN 795 class B**). It is mainly used for attaching a fall arrest device from the Blocfor R range, thus enabling users to safely access confined spaces (wells, silos, sewers, etc). A hoist (Carol range, for example) can also be attached to the Tracpode for lifting loads.

Description and principle of operation

Tracpode



Blocfor R

- All the parts are made of either polypropylene or stainless alloy.
- The lanyard (20 or 30m) is made of galvanised steel.
- Two carrying handles make it easy to transport and install.
- The removable operating handle, combined with an automatic brake, is used for rapid evacuation (upwards or downwards) of a person who has fallen.

The Blocfor R can be used in explosive atmosphere. All the materials used are non-sparking.

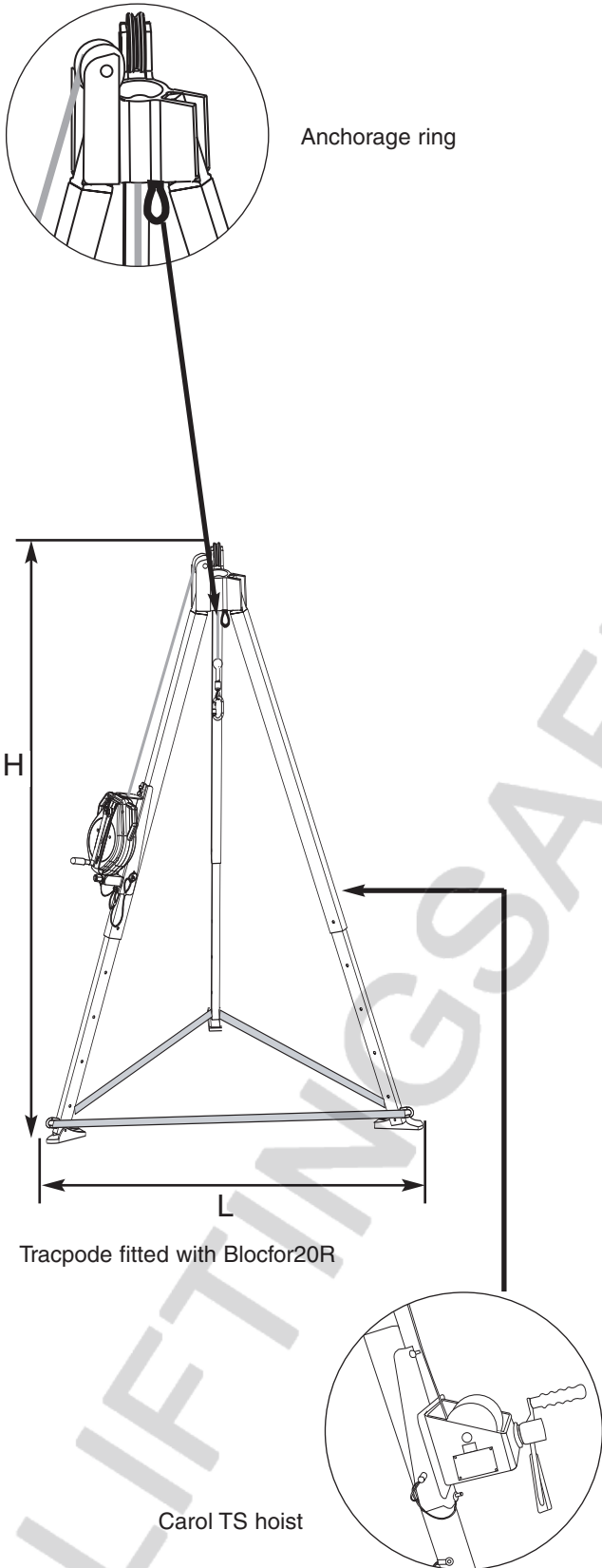
Carol TS

- The manual drum hoist Carol TS enables the winding of 20 or 30m of wire rope.
- The hoist offers high safety in use thanks to two independent braking systems, a non reversible worm gear and a disk brake.

technical data sheet

**Fall arrest equipment
Blocfor R
Carol
Tracpode**

ref. : **T-2108 GB**
rev. n° : **00**
date : **06/2001**
page : **2/3**



Anchorage ring

Tracpode fitted with Blocfor20R

Carol TS hoist

Tracpode

- The Tracpode is made of light alloy. Its light weight (17.7Kg) makes it easy to transport.
- The Tracpode head which is very rigid is machined to accommodate one or two pulleys, depending on the configuration required (Blocfor R - Carol combination).
- The legs (telescopic tubes) of the Tracpode can be adjusted to 5 positions.
- Ball spindles lock the various components after adjustment.
- The feet are articulated and non-slip.
- A strap holds the three legs once the tripod has been set up.

The basic Tracpode is fully modular (supplied with 2 pulleys and a strap) and can take various accessories enabling the user to adapt his tripod to a specific use.

NB : It is possible to secure a basic Blocfor to the Tracpode using the anchorage ring.

Technical specifications

Blocfor R

Temperature range: -35°C to + 60°C.

APAVE certificate no.

- Blocfor 20R : 0082/352/160/05/00/0188.
- Blocfor 30R : 0082/352/160/01/01/0003.

Model	Length of lanyard	
	Galvanised wire rope ø 4mm ø4.7mm	Polymer rope ø 5mm
B 20R	20m	18m
B 30R	30m	27m
	Dimensions (mm)	
B 20R	400x275x100	9,34Kg
B 30R	600x320x130	16Kg

Conforms to EN 360 and EN 1496 classB.



technical data sheet

Fall arrest equipment
Blocfor R
Carol
Tracpode

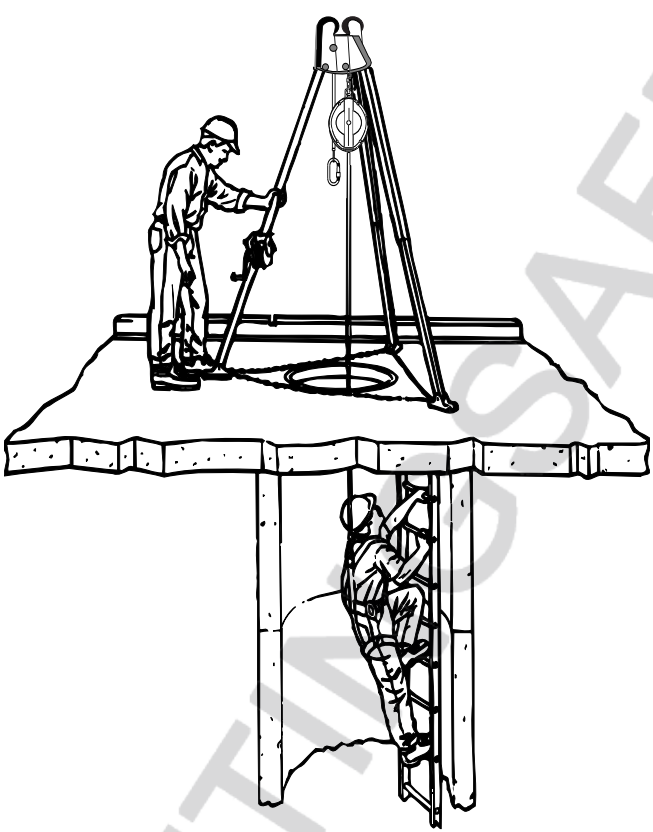
ref. : T-2108 GB
 rev. n° : 00
 date : 06/2001
 page : 3/3

Tracpode fitted with Blocfor 10 and Carol hoist

Tracpode

- Head and legs made of 6082 T6 extruded aluminium.
- Stainless steel fasteners.
- Weight (Tracpode basic version): 17.7 Kg.
- Weight (with Carol hoist and Blocfor R): 36 Kg.
- Length : 1.87 m.
- Width : 0.4 m.
- CE examen : NEL n°BSEN 795/99/001.
- Conforms to EN 795 class B

Adjustment	Dimensions
A	H = 1,74m ; L = 1,10m
B	H = 1,92m ; L = 1,20m
C	H = 2,13m ; L = 1,38m
D	H = 2,30m ; L = 1,53m
E	H = 2,48m ; L = 1,63m



Permissible attachments

- Fall arrest harness (EN 361).
- Connectors (EN 362).