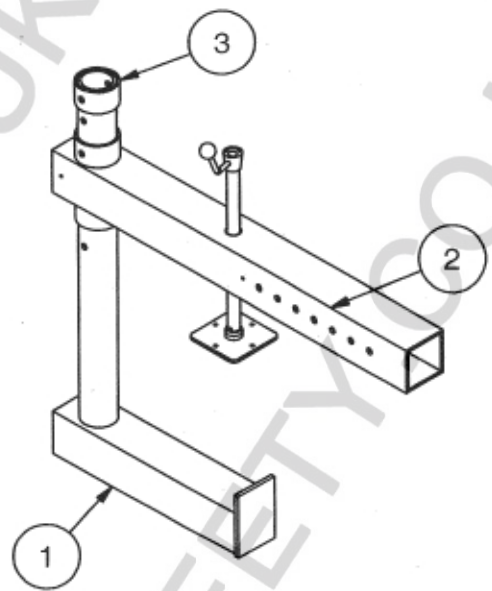
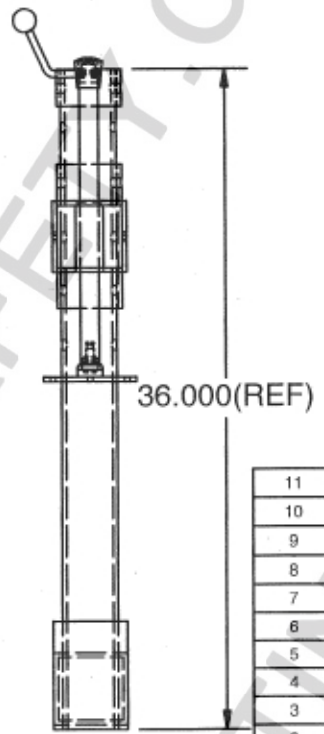
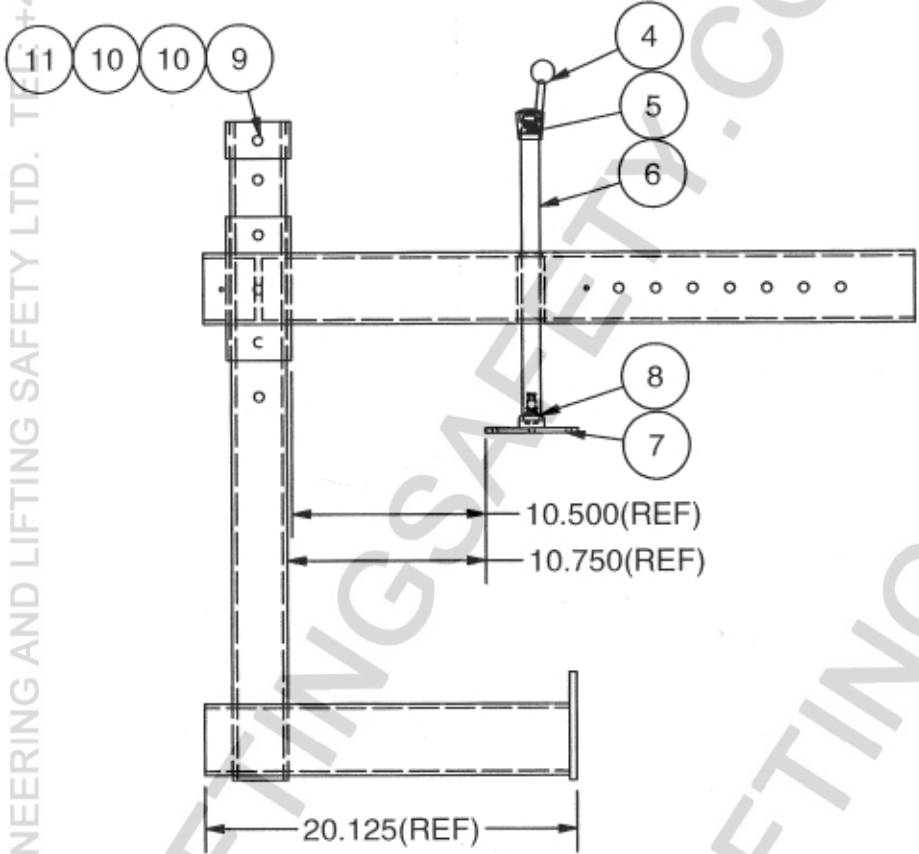
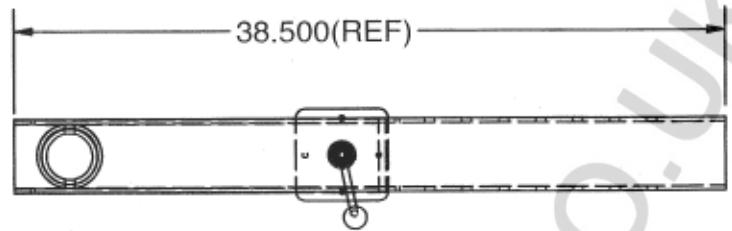


TOLERANCE
(UNLESS OTHERWISE SPECIFIED)
.X± 0.040
.XX± 0.020
.XXX± 0.010
ANGLES± 1°

METRIC DIMENSIONS
TOLERANCES
(UNLESS OTHERWISE SPECIFIED)
.X± 0.60
.XX± 0.30
ANGLES± 1°



11	10036	1	1/2 UNC NYLON LOCK NUT, PLTD
10	10037	2	1/2" SAE FLAT WASHER, PLTD
9	10034	1	1/2 UNCx 4.5, GR.8, PLTD
8	12521	1	1/4 UNFx 1/4" 1/2 DOG POINT SCREW
7	11413	1	5" SQ SWIVEL FOOT PAD
6	11347	1	13.25" LONG SCREW
5	10019	1	LEG CAP
4	10414	1	LEG HANDLE
3	21286	1	STOP RING
2	21285	1	W/A, CLAMP BODY
1	21290	1	W/A, CLAMP HOOK
ITEM #	PART #	QTY	DESCRIPTION

SELBY ENGINEERING & LIFTING SAFETY LTD.
Lifting Equipment and Height Safety Specialists
www.liftingsafety.co.uk sales@liftingsafety.co.uk
Tel: +44 (0) 1977 684 600 Fax: +44 (0) 1977 685 300

1 PC / UNIT

SELBY ENGINEERING AND LIFTING SAFETY LTD. TEL: +44 (0) 1977 684 600