

SELBY ENGINEERING AND LIFTING SAFETY LTD. TEL: +44 (0) 1977 684 600



**UCL Advanced Floor Mount Sleeve**  
Model#: 8516190 (Mild Steel) / 8518347 (S.S.)

**SPECIFICATIONS**  
PAGE 1 OF 2

Sleeves feature zinc  
providing corrosion  
protection

**Application Restrictions:**

1. Sleeves are for use with masts & accessories manufactured by Unique Concepts Ltd. **ONLY**.
2. System design factor depends on other system components and the configuration in which they are assembled. The minimum design factor for all standard UCL Safety Systems masts and accessories is 4:1.
3. All welding is to be carried out by qualified personnel.
4. If base material does not meet minimum requirements, reinforcement **MUST BE** added to meet minimum requirements.
5. Each installation **MUST BE** approved to local standards by a qualified engineer.

proof  
masts.

- 1/2" Steel
- 1/2"-47.1
- 1/2" 36 Steel Plate/304 S.S
- Sch. 40 Pipe/304 S.S
- PVC Pipe - ASTM-D-1785
- High Density Polyethene
- CS-500 Zinc Plated
- Brush Blast
- ASTM Designation
- B633-85, Type III, SC2

**Requirements(minimum):**

Structure and mounting hardware must be capable of standing a 90,000 in.-lbs(10000 N.m) moment and a 5000 lbs. (22.2 kN.) vertical load.

Anchors used to mount this base must have an installed minimum pull-out strength of 12000 lb (53.3 KN) and a shear strength of 5000 lb (22.2 KN).

Installation **MUST BE** approved to local regulations by a qualified engineer.

**CERTIFICATION**



**Capital Safety** USA: 800.328.6146 • Canada: 800.387.7484 • Asia: + 65 6558 7758 •  
Australia/New Zealand: 800 245 002 • Europe, Middle East, Africa: +33 (0) 497 10 00 10 •  
Northern Europe: +44 (0) 1928 571324  
[www.capitalsafety.com](http://www.capitalsafety.com) • [info@capitalsafety.com](mailto:info@capitalsafety.com)

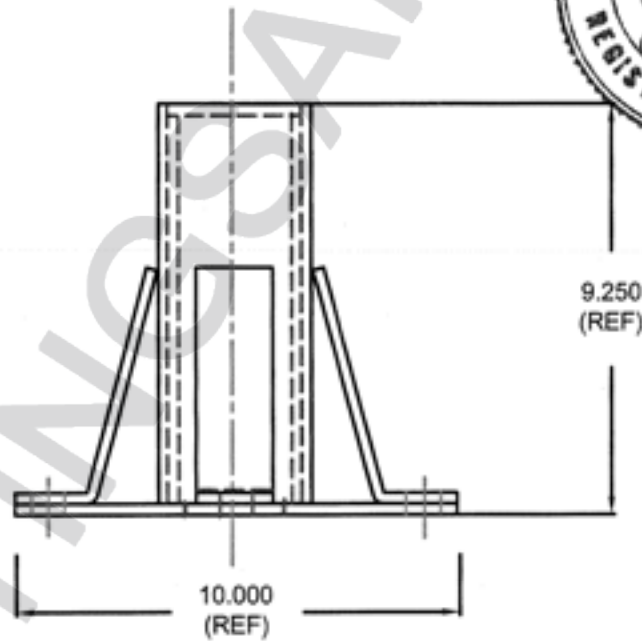
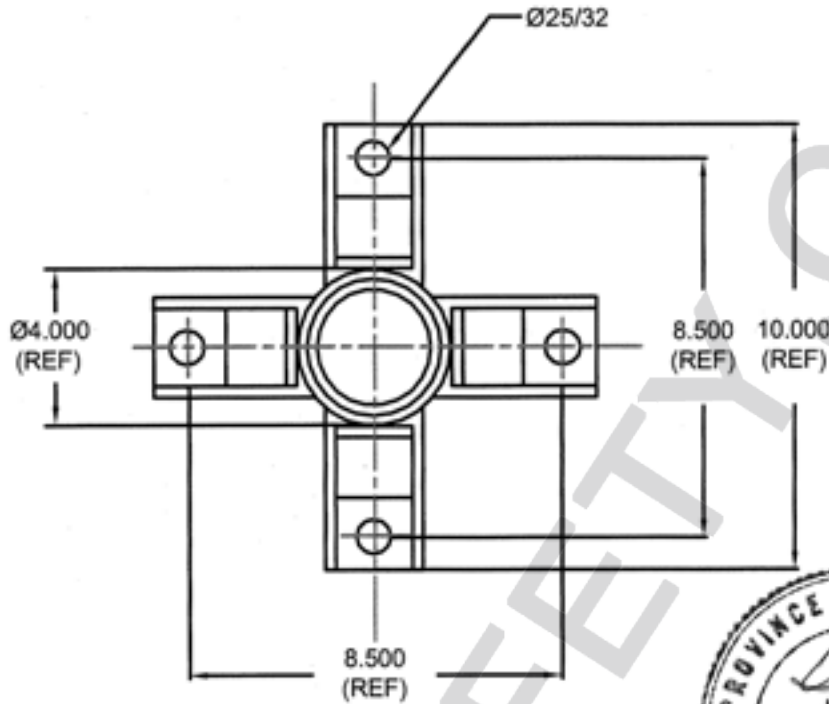
**ISO 9001**  
REGISTERED

SELBY ENGINEERING AND LIFTING SAFETY LTD. TEL: +44 (0) 1977 684 600



**UCL Advanced Floor Mount Sleeve**  
Model#: 8516190 (Mild Steel) / 8518347 (S.S.)

**SPECIFICATIONS**  
PAGE 2 OF 2



**Capital Safety** USA: 800.328.6146 • Canada: 800.387.7484 • Asia: + 65 6558 7758 •  
 Australia/New Zealand: 800 245 002 • Europe, Middle East, Africa: +33 (0) 497 10 00 10 •  
 Northern Europe: +44 (0) 1928 571324  
[www.capitalsafety.com](http://www.capitalsafety.com) • [info@capitalsafety.com](mailto:info@capitalsafety.com)

**ISO 9001**  
REGISTERED