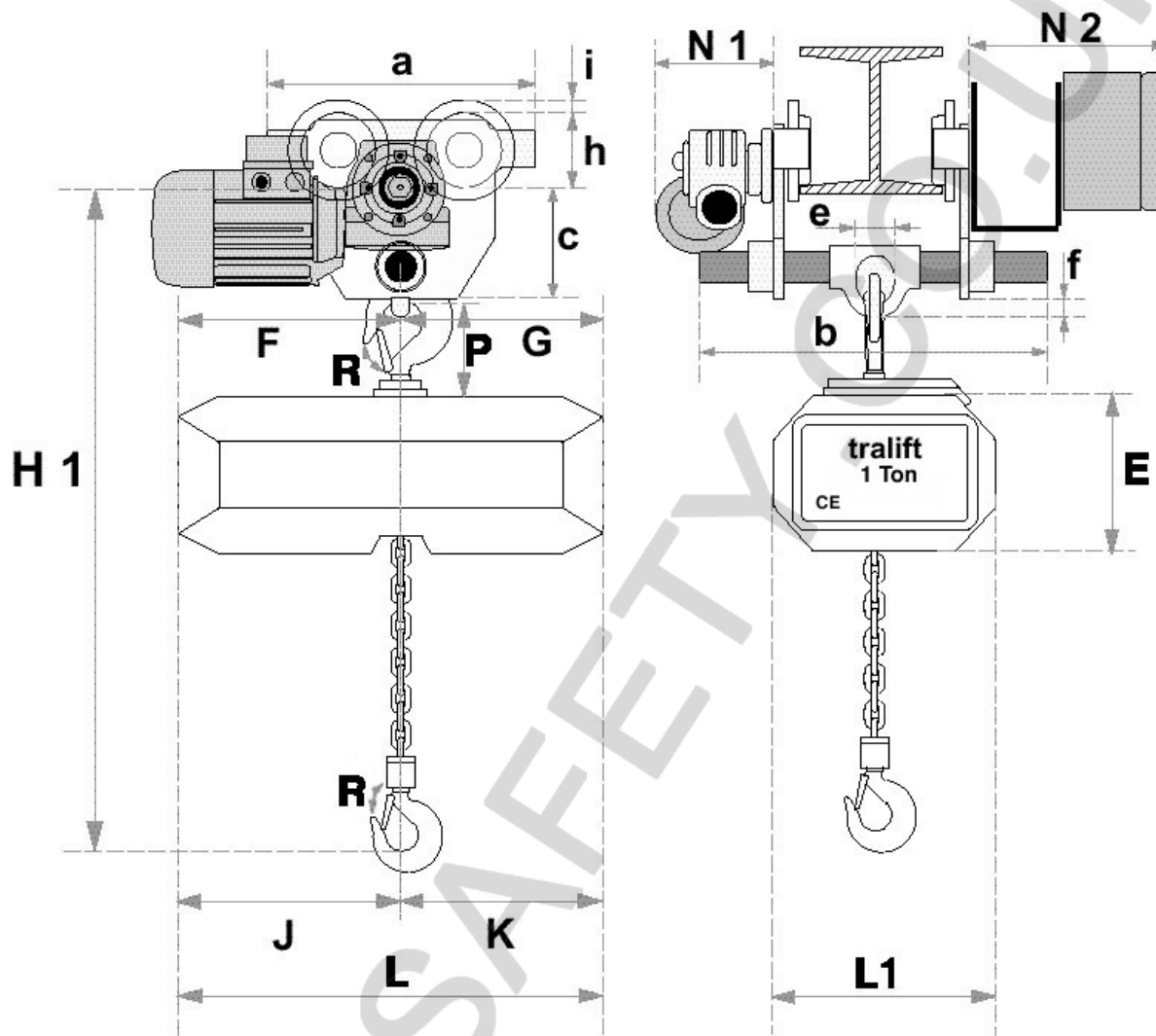


**technical sheet**

**Tralift TE**  
**Dimensions**  
**Hoist with electric drive trolley**

ref.: **T-4264**  
 rev. no.: **0**  
 date: **4/04**  
 page: **1/1**



**Dimensions in inches**

Model	# of Falls	L	L1	E	F	G	H1	J	K	P	R	a	b*	c	e	f	h	i	N1	N2	Hoist w/10' & Trolley Weight lbs.
TE 125	1	19.3	7.9	6.9	11.8	7.5	16.3	11.8	7.5	3	0.9	9.9	13.1	4.1	1.2	0.7	2.4	0.6	3.9	8.7	-
TE 250	1	20	8.7	7.5	12.2	7.9	16.7	12.2	7.9	3	0.9	9.9	13.1	4.1	1.2	0.7	2.4	0.6	3.9	8.7	-
TE 500	2	20	8.7	7.5	12.2	7.9	20.3	12.2	7.9	3.3	0.9	9.9	13.1	4.1	1.2	0.7	2.4	0.6	3.9	8.7	110
TE 500	1	20.9	9	7.9	13	7.9	19.1	13	7.9	3.6	0.9	9.9	13.1	4.1	1.2	0.7	2.4	0.6	3.9	8.7	120
TE 1000	2	20.9	9	7.9	13	7.9	22.2	13	7.9	4.1	1.2	9.9	13.1	4.1	1.2	0.7	2.4	0.6	3.9	8.7	132
TE 1000	1	23	11.4	7.3	13.8	9.3	22.6	13.8	9.3	4.1	1.2	9.9	13.1	4.1	1.2	0.7	2.4	0.6	3.9	8.7	161
TE 2000	2	23	11.4	7.3	13.8	9.3	27.2	13.8	9.3	4.3	1.5	11.8	13.5	5	1.6	0.71	3.1	0.71	3.9	8.7	196

