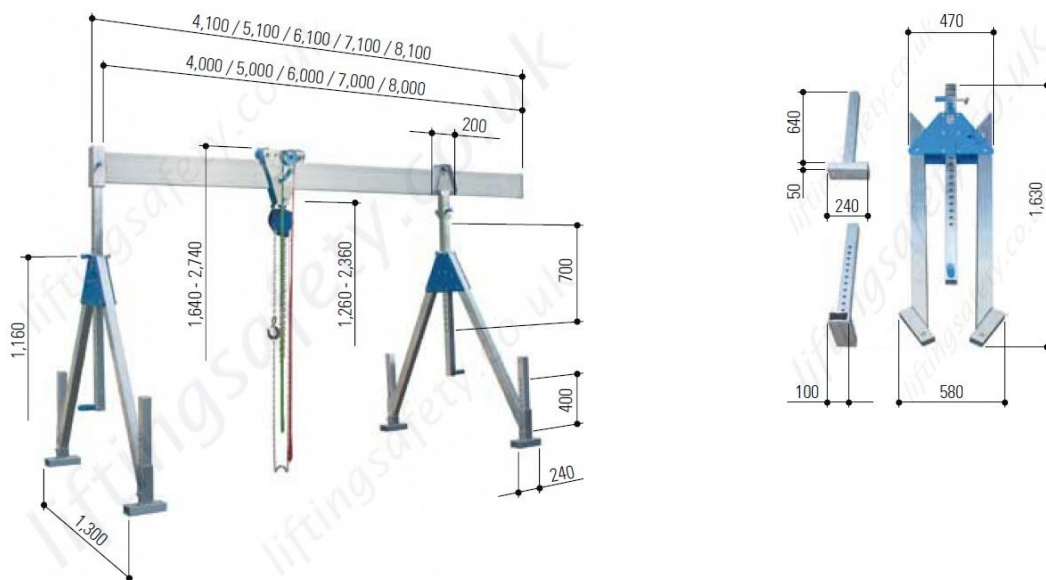


Small Gantry Crane Technical Specifications



Dimensional specifications for the small aluminium gantry crane with collapsible lateral stands and fixed feet.

Item N°	Load capacity (kg)	Total height		Beam length		Suspension point at the bolt of the trolley		Lower edge alu-beam		Adjustment range		Lateral stand		Weight (kg)
		min. (mm)	max. (mm)	Clear width (mm)	Total (mm)	min. (mm)	max. (mm)	min. (mm)	max. (mm)	beam support (mm)	telescopic foot (mm)	width (mm)	height (mm)	
3085-T4877	1000	1640	2740	4000	4100	1260	2360	1350	2450	700	400	1300	1160	91
3085-T4878	1000	1640	2740	5000	5100	1260	2360	1350	2450	700	400	1300	1160	103
3085-T4879	1000	1640	2740	6000	6100	1260	2360	1330	2430	700	400	1300	1160	117
3085-T4880	1000	1640	2740	7000	7100	1260	2360	1330	2430	700	400	1300	1160	126
3085-T4881	1000	1640	2740	8000	8100	1260	2360	1330	2430	700	400	1300	1160	167
3085-T4882	1500	1640	2740	4000	4100	1260	2360	1330	2430	700	400	1300	1160	99
3085-T4883	1500	1640	2740	5000	5100	1260	2360	1330	2430	700	400	1300	1160	128
3085-T4884	1500	1640	2740	6000	6100	1260	2360	1330	2430	700	400	1300	1160	141

Component Weights and Dimensions

Item n°	Load capacity (kg)	Beam length (mm)	Beam support (mm)	Beam profile (mm)	Beam sleeve (mm)	Total weight (kg)	Aluminium beam (kg)	Lateral stand (kg)	Trolley (kg)	Horizontal adjuster (kg)
3085-T4877	1000	4000	61 x 61	200 x 50	82 x 82**	91	31	2 x 24	8	4
3085-T4878	1000	5000	61 x 61	200 x 50	82 x 82**	103	43	2 x 24	8	4
3085-T4879	1000	6000	61 x 61	220 x 60	82 x 82**	117	57	2 x 24	8	4
3085-T4880	1000	7000	61 x 61	220 x 60	82 x 82**	126	66	2 x 24	8	4
3085-T4881	1000	8000	61 x 61	220 x 60*	82 x 82**	167	107	2 x 24	8	4
3085-T4882	1500	4000	61 x 61	220 x 60	82 x 82**	99	39	2 x 24	8	4
3085-T4883	1500	5000	61 x 61	220 x 60*	82 x 82**	128	68	2 x 24	8	4
3085-T4884	1500	6000	61 x 61	220 x 60*	82 x 82**	141	81	2 x 24	8	4

* with larger profile thickness (inwards)

**270mm long; other side: end piece.