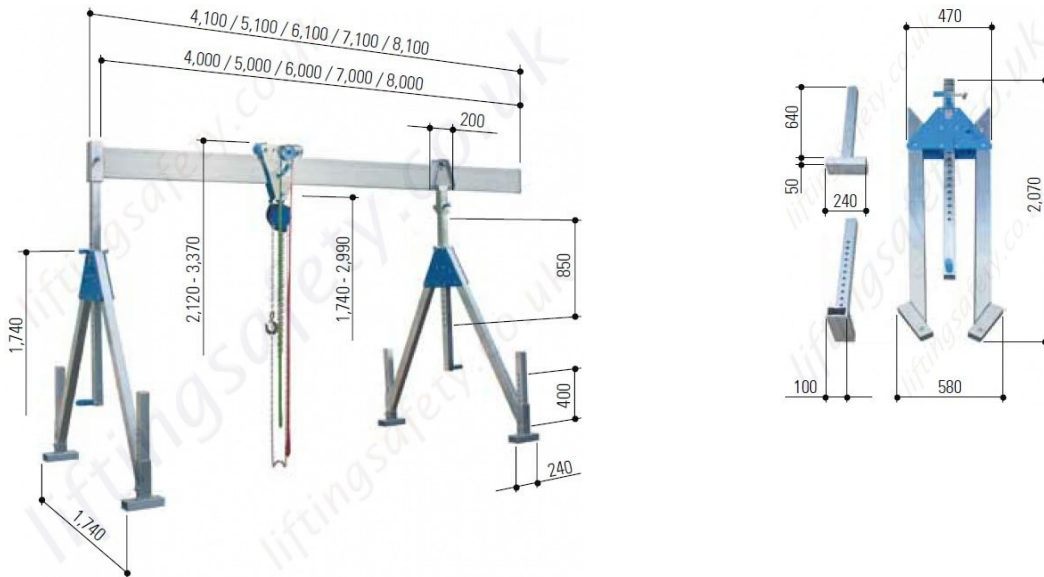


## Medium Gantry Crane Technical Specifications



Dimensional specifications for the medium aluminium gantry crane with collapsible lateral stands and fixed feet.

Item N°	Load capacity (kg)	Total height		Beam length		Suspension point at the bolt of the trolley		Lower edge aluminium beam		Adjustment range		Lateral stand		Weight (kg)
		min. (mm)	max. (mm)	Clear width (mm)	Total (mm)	min. (mm)	max. (mm)	min. (mm)	max. (mm)	beam support (mm)	telescopic foot (mm)	width (mm)	height (mm)	
3085-T4885	1000	2120	3370	4000	4100	1740	2990	1830	3080	850	400	1740	1540	97
3085-T4886	1000	2120	3370	5000	5100	1740	2990	1830	3080	850	400	1740	1540	109
3085-T4887	1000	2120	3370	6000	6100	1740	2990	1830	3080	850	400	1740	1540	123
3085-T4888	1000	2120	3370	7000	7100	1740	2990	1830	3080	850	400	1740	1540	132
3085-T4889	1000	2120	3370	8000	8100	1740	2990	1830	3080	850	400	1740	1540	173
3085-T4890	1500	2120	3370	4000	4100	1740	2990	1830	3080	850	400	1740	1540	105
3085-T4891	1500	2120	3370	5000	5100	1740	2990	1830	3080	850	400	1740	1540	134
3085-T4892	1500	2120	3370	6000	6100	1740	2990	1830	3080	850	400	1740	1540	147

### Component Weights and Dimensions

Item n°	Load capacity (kg)	Beam length (mm)	Beam support (mm)	Beam profile (mm)	Beam sleeve (mm)	Total weight (kg)	Aluminium beam (kg)	Lateral stand (kg)	Trolley (kg)	Horizontal adjuster (kg)
3085-T4885	1000	4000	61 x 61	200 x 50	82 x 82**	97	31	2 x 27	8	4
3085-T4886	1000	5000	61 x 61	200 x 50	82 x 82**	109	43	2 x 27	8	4
3085-T4887	1000	6000	61 x 61	220 x 60	82 x 82**	123	57	2 x 27	8	4
3085-T4888	1000	7000	61 x 61	220 x 60	82 x 82**	132	66	2 x 27	8	4
3085-T4889	1000	8000	61 x 61	220 x 60*	82 x 82**	173	107	2 x 27	8	4
3085-T4890	1500	4000	61 x 61	220 x 60	82 x 82**	105	39	2 x 27	8	4
3085-T4891	1500	5000	61 x 61	220 x 60*	82 x 82**	134	68	2 x 27	8	4
3085-T4892	1500	6000	61 x 61	220 x 60*	82 x 82**	147	81	2 x 27	8	4

\* with larger profile thickness.

\*\* 270mm long; other side: end piece