

# McKissick® Easy Reeve® Crane Blocks

## 380 Series Easy Reeve® Hook Blocks



### SEE APPLICATION AND WARNING INFORMATION

Para Español: [www.thecrosbygroup.com](http://www.thecrosbygroup.com) On Pages 342 - 349



*Center "Dead End" to promote better block travel under various reeving configurations.*

*Sheave Guards that open to allow block reeving without removing the rope end fitting.*



*Flat Bottom side plate for self standing during reeving process.*

- Wide range of product available.
  - Capacity: 5 to 80 tons - Larger Models Available.
  - Sheave Sizes: 10" to 20".
  - Wire Line Sizes: 7/16" to 1-1/4".
- All single point shank hooks are genuine Crosby®, forged alloy steel, Quenched and Tempered, and have the patented **QUIC-CHECK®** markings (Duplex hooks are available on most sizes).
- Design factor of 4 to 1 (unless otherwise noted).
- All Easy Reeve® Blocks are furnished standard with Roller Bearings.
- Reeving Guides Standard - All Models.
- Blocks thru 25 tons use 319N hooks with S-4320 latches.
- Heavy Duty Positive Locking (PL) Latch - Models: 25 tons and larger.
- Sheave lubrication through center pin - separate lube channel to each bearing.
- Sheaves fully protected by side plates.
- Dual action hook (swings and rotates).
- Repair parts available through world wide distribution network.
- All Easy Reeve® blocks, 16" and larger, are furnished with McKissick® Roll-Forged™ sheaves with flame hardened grooves.
- Manufactured by an ISO 9001 and API Q1 certified facility.
- "Look for the Orange Hook . . . the mark of genuine McKissick® quality".

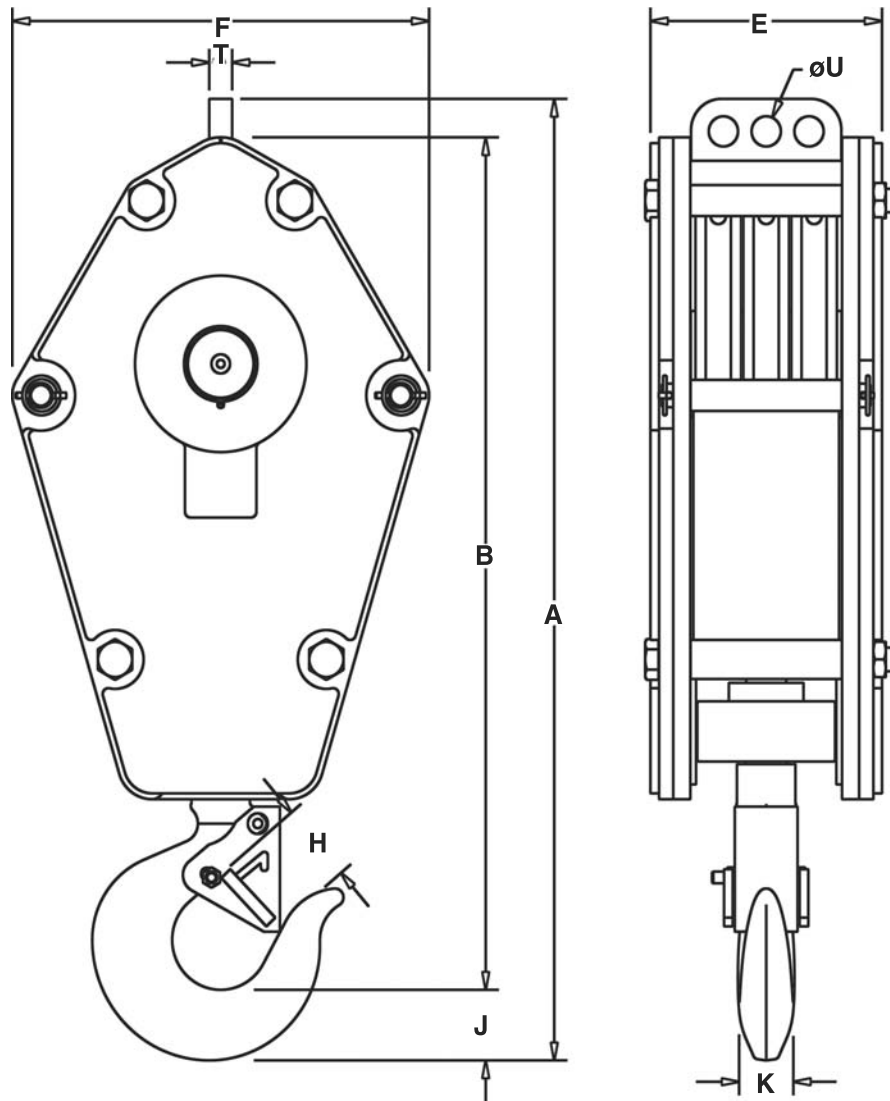
### OPTIONS AVAILABLE

- Duplex Hooks (75 tons & larger)
- Swivel Tee and Shackle Assemblies
- Sheave Shrouds
- Anti Rotation - Locking Device (75 tons & larger)
- Plate Steel Cheek Weights
- Third party testing with Certification available upon request.

**SELBY ENGINEERING & LIFTING SAFETY LTD.**  
Lifting Equipment and Height Safety Specialists  
[www.liftingsafety.co.uk](http://www.liftingsafety.co.uk) [sales@liftingsafety.co.uk](mailto:sales@liftingsafety.co.uk)  
Tel: +44 (0) 1977 684 600 Fax: +44 (0) 1977 685 300

*Forged Crosby® alloy steel hooks with patented **QUIC-CHECK®** markings and Heavy Duty positive locking hook latch.*

# McKissick® Easy Reeve® Crane Blocks



**Dead End Chart  
(Double, Triple & Quad Sheave Blocks)**

Wire Rope Size (in.)	Dimensions (in.)		Recommended Wedge Socket	
	T Thickness	U Hole Diameter	McKissick® US-422 /US-422T Utility Socket	
			Stock No.	Size
7/16	1.00	1.28	1044309+	US4 7/16
1/2	1.00	1.28	1044318+	US4 1/2
9/16	1.00	1.28	1044336+	US5 9/16
5/8	1.00	1.28	1044345+	US5 5/8
3/4	1.25	1.66	1044363+	US6 3/4
7/8	1.25	1.66	1038580	US7 7/8
1	1.25	1.66	1044417+	US8 1
1-1/8	1.75	2.56	1044426+	US10 1-1/8
1-1/4	1.75	2.56	1044435+	US10 1-1/4

+ US-422T "TERMINATOR"™ Style.

# McKissick® Easy Reeve® Crane Blocks

## McKissick® Easy Reeve® Crane Blocks



- Specify Wire Line size when ordering.
- Dead End Dimensions on page 292 of this catalog.
- All sizes are **RFID EQUIPPED**

Model No.	Inquiry Stock No.	Working Load Limit (Tons)*	A Overall Length (in.)	B Net Length (in.)	E Block Thickness (in.)	F Block Width (in.)	H Throat Opening with Flapper (in.)	J Hook Thickness (in.)	K Hook Width (in.)	Standard Wire Rope Size	Weight Each (lbs.)†
<b>5 TONS</b>											
E5S10L	2014001	5	35.78	31.06	6.84	14.50	1.91	2.59	1.94	7/16 1/2 9/16 5/8	236
E5S10M	2014003	5	35.78	31.06	8.84	14.50	1.91	2.59	1.94	7/16 1/2 9/16 5/8	342
E5S10H	2014004	5	35.78	31.06	10.34	14.50	1.91	2.59	1.94	7/16 1/2 9/16 5/8	424
<b>10 TONS</b>											
E10S10L	2014011	10	35.78	31.06	6.84	14.50	1.91	2.59	1.94	7/16 1/2 9/16 5/8	236
E10S10M	2014013	10	35.78	31.06	8.84	14.50	1.91	2.59	1.94	7/16 1/2 9/16 5/8	342
E10S10H	2014014	10	35.78	31.06	10.34	14.50	1.91	2.59	1.94	7/16 1/2 9/16 5/8	424
E10S14L	2014021	10	39.40	34.69	6.84	18.25	1.91	2.59	1.94	1/2 9/16 5/8 3/4	276
E10S14M	2014023	10	39.40	34.69	8.84	18.25	1.91	2.59	1.94	1/2 9/16 5/8 3/4	427
E10S14H	2014024	10	39.40	34.69	10.34	18.25	1.91	2.59	1.94	1/2 9/16 5/8 3/4	542
E10S16L	2014031	10	43.15	38.44	6.84	20.50	1.91	2.59	1.94	9/16 5/8 3/4 7/8	329
E10S16M	2014033	10	43.15	38.44	8.84	20.50	1.91	2.59	1.94	9/16 5/8 3/4 7/8	527
E10S16H	2014034	10	43.15	38.44	10.34	20.50	1.91	2.59	1.94	9/16 5/8 3/4 7/8	678
E10D10L	2014041	10	35.78	31.06	6.84	14.50	1.91	2.59	1.94	7/16 1/2 9/16 5/8	268
E10D10M	2014043	10	35.78	31.06	8.84	14.50	1.91	2.59	1.94	7/16 1/2 9/16 5/8	374
E10D10H	2014044	10	35.78	31.06	10.34	14.50	1.91	2.59	1.94	7/16 1/2 9/16 5/8	450
E10D12L	2014051	10	37.28	32.56	6.84	16.50	1.91	2.59	1.94	1/2 9/16 5/8 3/4	278
E10D12M	2014053	10	37.28	32.56	8.84	16.50	1.91	2.59	1.94	1/2 9/16 5/8 3/4	402
E10D12H	2014054	10	37.28	32.56	10.34	16.50	1.91	2.59	1.94	1/2 9/16 5/8 3/4	497
E10T10L	2014061	10	35.78	31.06	8.14	14.50	1.91	2.59	1.94	7/16 1/2 9/16 5/8	318
E10T10M	2014063	10	35.78	31.06	10.14	14.50	1.91	2.59	1.94	7/16 1/2 9/16 5/8	424
E10T10H	2014064	10	35.78	31.06	11.64	14.50	1.91	2.59	1.94	7/16 1/2 9/16 5/8	506
E10T12L	2014071	10	37.28	32.56	8.14	16.50	1.91	2.59	1.94	1/2 9/16 5/8 3/4	323
E10T12M	2014073	10	37.28	32.56	10.14	16.50	1.91	2.59	1.94	1/2 9/16 5/8 3/4	446
E10T12H	2014074	10	37.28	32.56	11.64	16.50	1.91	2.59	1.94	1/2 9/16 5/8 3/4	541
E10Q14L	2014081	10	39.40	34.69	10.38	18.25	1.91	2.59	1.94	1/2 9/16 5/8 3/4	427
E10Q14M	2014083	10	39.40	34.69	12.38	18.25	1.91	2.59	1.94	1/2 9/16 5/8 3/4	588
E10Q14H	2014084	10	39.40	34.69	13.88	18.25	1.91	2.59	1.94	1/2 9/16 5/8 3/4	703
<b>15 TONS</b>											
E15S10L	2014091	15	35.78	31.06	6.84	14.50	1.91	2.59	1.94	7/16 1/2 9/16 5/8	236
E15S10M	2014093	15	35.78	31.06	8.84	14.50	1.91	2.59	1.94	7/16 1/2 9/16 5/8	342
E15S10H	2014094	15	35.78	31.06	10.34	14.50	1.91	2.59	1.94	7/16 1/2 9/16 5/8	424
E15S12L	2014101	15	37.28	32.56	6.84	16.50	1.91	2.59	1.94	1/2 9/16 5/8 3/4	251
E15S12M	2014103	15	37.28	32.56	8.84	16.50	1.91	2.59	1.94	1/2 9/16 5/8 3/4	375
E15S12H	2014104	15	37.28	32.56	10.34	16.50	1.91	2.59	1.94	1/2 9/16 5/8 3/4	470
E15S14L	2014111	15	39.40	34.69	6.84	18.25	1.91	2.59	1.94	1/2 9/16 5/8 3/4	276
E15S14M	2014113	15	39.40	34.69	8.84	18.25	1.91	2.59	1.94	1/2 9/16 5/8 3/4	427
E15S14H	2014114	15	39.40	34.69	10.34	18.25	1.91	2.59	1.94	1/2 9/16 5/8 3/4	542
E15S16L	2014121	15	43.15	38.44	6.84	20.50	1.91	2.59	1.94	9/16 5/8 3/4 7/8	329
E15S16M	2014123	15	43.15	38.44	8.84	20.50	1.91	2.59	1.94	9/16 5/8 3/4 7/8	527
E15S16H	2014124	15	43.15	38.44	10.34	20.50	1.91	2.59	1.94	9/16 5/8 3/4 7/8	678
E15D10L	2014131	15	35.78	31.06	6.84	14.50	1.91	2.59	1.94	7/16 1/2 9/16 5/8	268
E15D10M	2014133	15	35.78	31.06	8.84	14.50	1.91	2.59	1.94	7/16 1/2 9/16 5/8	374
E15D10H	2014134	15	35.78	31.06	10.34	14.50	1.91	2.59	1.94	7/16 1/2 9/16 5/8	456
E15D12L	2014141	15	37.28	32.56	6.84	16.50	1.91	2.59	1.94	1/2 9/16 5/8 3/4	278
E15D12M	2014143	15	37.28	32.56	8.84	16.50	1.91	2.59	1.94	1/2 9/16 5/8 3/4	402
E15D12H	2014144	15	37.28	32.56	10.34	16.50	1.91	2.59	1.94	1/2 9/16 5/8 3/4	497
E15T10L	2014151	15	35.78	31.06	8.14	14.50	1.91	2.59	1.94	7/16 1/2 9/16 5/8	318
E15T10M	2014153	15	35.78	31.06	10.14	14.50	1.91	2.59	1.94	7/16 1/2 9/16 5/8	424
E15T10H	2014154	15	35.78	31.06	11.64	14.50	1.91	2.59	1.94	7/16 1/2 9/16 5/8	506
E15T12L	2014161	15	37.28	32.56	8.14	16.50	1.91	2.59	1.94	1/2 9/16 5/8 3/4	323
E15T12M	2014163	15	37.28	32.56	10.14	16.50	1.91	2.59	1.94	1/2 9/16 5/8 3/4	446
E15T12H	2014164	15	37.28	32.56	11.64	16.50	1.91	2.59	1.94	1/2 9/16 5/8 3/4	541
E15Q14L	2014171	15	39.40	34.69	10.38	18.25	1.91	2.59	1.94	1/2 9/16 5/8 3/4	427
E15Q14M	2014173	15	39.40	34.69	12.38	18.25	1.91	2.59	1.94	1/2 9/16 5/8 3/4	588
E15Q14H	2014174	15	39.40	34.69	13.88	18.25	1.91	2.59	1.94	1/2 9/16 5/8 3/4	703
<b>20 TONS</b>											
E20S10L	2014181	20	37.69	32.59	6.84	14.50	2.75	2.97	2.38	7/16 1/2 9/16 5/8	249
E20S10M	2014182	20	37.69	32.59	8.84	14.50	2.75	2.97	2.38	7/16 1/2 9/16 5/8	355
E20S10H	2014184	20	37.69	32.59	10.34	14.50	2.75	2.97	2.38	7/16 1/2 9/16 5/8	436
E20S14L	2014191	20	41.31	36.22	6.84	18.25	2.75	2.97	2.38	1/2 9/16 5/8 3/4	293

# McKissick® Easy Reeve® Crane Blocks

Model No.	Inquiry Stock No.	Working Load Limit (Tons)*	A Overall Length (in.)	B Net Length (in.)	E Block Thickness (in.)	F Block Width (in.)	H Throat Opening with Flapper (in.)	J Hook Thickness (in.)	K Hook Width (in.)	Standard Wire Rope Size	Weight Each (lbs.)†
E20S14M	2014193	20	41.31	36.22	8.84	18.25	2.75	2.97	2.38	1/2 9/16 5/8 3/4	443
E20S14H	2014194	20	41.31	36.22	10.34	18.25	2.75	2.97	2.38	1/2 9/16 5/8 3/4	559
E20S18L	2014201	20	47.06	41.97	6.84	22.25	2.75	2.97	2.38	1/2 9/16 5/8 3/4	391
E20S18M	2014203	20	47.06	41.97	9.09	22.25	2.75	2.97	2.38	1/2 9/16 5/8 3/4	654
E20S18H	2014204	20	47.06	41.97	10.59	22.25	2.75	2.97	2.38	1/2 9/16 5/8 3/4	833
E20D12L	2014211	20	39.19	34.09	6.84	16.50	2.75	2.97	2.38	1/2 9/16 5/8 3/4	291
E20D12M	2014213	20	39.19	34.09	8.84	16.50	2.75	2.97	2.38	1/2 9/16 5/8 3/4	414
E20D12H	2014214	20	39.19	34.09	10.34	16.50	2.75	2.97	2.38	1/2 9/16 5/8 3/4	509
E20D14L	2014221	20	41.31	36.22	6.84	18.25	2.75	2.97	2.38	1/2 9/16 5/8 3/4	326
E20D14M	2014223	20	41.31	36.22	8.84	18.25	2.75	2.97	2.38	1/2 9/16 5/8 3/4	477
E20D14H	2014224	20	41.31	36.22	10.34	18.25	2.75	2.97	2.38	1/2 9/16 5/8 3/4	592
E20T12L	2014231	20	39.19	34.09	8.14	16.50	2.75	2.97	2.38	1/2 9/16 5/8 3/4	334
E20T12M	2014233	20	39.19	34.09	10.14	16.50	2.75	2.97	2.38	1/2 9/16 5/8 3/4	458
E20T12H	2014234	20	39.19	34.09	11.64	16.50	2.75	2.97	2.38	1/2 9/16 5/8 3/4	553
E20T14L	2014241	20	41.31	36.22	8.14	18.25	2.75	2.97	2.38	1/2 9/16 5/8 3/4	377
E20T14M	2014243	20	41.31	36.22	10.14	18.25	2.75	2.97	2.38	1/2 9/16 5/8 3/4	527
E20T14H	2014244	20	41.31	36.22	11.64	18.25	2.75	2.97	2.38	1/2 9/16 5/8 3/4	643
E20Q12L	2014251	20	39.19	34.09	10.38	16.50	2.75	2.97	2.38	1/2 9/16 5/8 3/4	401
E20Q12M	2014253	20	39.19	34.09	12.38	16.50	2.75	2.97	2.38	1/2 9/16 5/8 3/4	525
E20Q12H	2014254	20	39.19	34.09	13.88	16.50	2.75	2.97	2.38	1/2 9/16 5/8 3/4	618
E20Q14L	2014261	20	41.31	36.22	10.38	18.25	2.75	2.97	2.38	1/2 9/16 5/8 3/4	450
E20Q14M	2014263	20	41.31	36.22	12.38	18.25	2.75	2.97	2.38	1/2 9/16 5/8 3/4	601
E20Q14H	2014264	20	41.31	36.22	13.88	18.25	2.75	2.97	2.38	1/2 9/16 5/8 3/4	715
<b>25 TONS</b>											
E25S16L	2014271	25	45.06	39.97	6.84	20.50	2.75	2.97	2.38	9/16 5/8 3/4 7/8	342
E25S16M	2014273	25	45.06	39.97	8.84	20.50	2.75	2.97	2.38	9/16 5/8 3/4 7/8	539
E25S16H	2014274	25	45.06	39.97	10.34	20.50	2.75	2.97	2.38	9/16 5/8 3/4 7/8	691
E25S18L	2014281	25	47.06	41.97	6.84	22.25	2.75	2.97	2.38	5/8 3/4 7/8 1	391
E25S18M	2014283	25	47.06	41.97	9.09	22.25	2.75	2.97	2.38	5/8 3/4 7/8 1	653
E25S18H	2014284	25	47.06	41.97	10.59	22.25	2.75	2.97	2.38	5/8 3/4 7/8 1	833
E25D12L	2014291	25	39.19	34.09	6.84	16.50	2.75	2.97	2.38	1/2 9/16 5/8 3/4	291
E25D12M	2014293	25	39.19	34.09	8.84	16.50	2.75	2.97	2.38	1/2 9/16 5/8 3/4	414
E25D12H	2014294	25	39.19	34.09	10.34	16.50	2.75	2.97	2.38	1/2 9/16 5/8 3/4	509
E25D14L	2014301	25	41.31	36.22	6.84	18.25	2.75	2.97	2.38	1/2 9/16 5/8 3/4	326
E25D14M	2014303	25	41.31	36.22	8.84	18.25	2.75	2.97	2.38	1/2 9/16 5/8 3/4	477
E25D14H	2014304	25	41.31	36.22	10.34	18.25	2.75	2.97	2.38	1/2 9/16 5/8 3/4	592
E25T12L	2014311	25	39.19	34.09	8.14	16.50	2.75	2.97	2.38	1/2 9/16 5/8 3/4	334
E25T12M	2014313	25	39.19	34.09	10.14	16.50	2.75	2.97	2.38	1/2 9/16 5/8 3/4	458
E25T12H	2014314	25	39.19	34.09	11.64	16.50	2.75	2.97	2.38	1/2 9/16 5/8 3/4	553
E25T14L	2014321	25	41.31	36.22	8.14	18.25	2.75	2.97	2.38	1/2 9/16 5/8 3/4	369
E25T14M	2014323	25	41.31	36.22	10.14	18.25	2.75	2.97	2.38	1/2 9/16 5/8 3/4	527
E25T14H	2014324	25	41.31	36.22	11.64	18.25	2.75	2.97	2.38	1/2 9/16 5/8 3/4	643
E25Q12L	2014331	25	39.19	34.09	10.38	16.50	2.75	2.97	2.38	1/2 9/16 5/8 3/4	401
E25Q12M	2014333	25	39.19	34.09	12.38	16.50	2.75	2.97	2.38	1/2 9/16 5/8 3/4	525
E25Q12H	2014334	25	39.19	34.09	13.88	16.50	2.75	2.97	2.38	1/2 9/16 5/8 3/4	618
E25Q14L	2014341	25	41.31	36.22	10.38	18.25	2.75	2.97	2.38	1/2 9/16 5/8 3/4	450
E25Q14M	2014343	25	41.31	36.22	12.38	18.25	2.75	2.97	2.38	1/2 9/16 5/8 3/4	601
E25Q14H	2014344	25	41.31	36.22	13.88	18.25	2.75	2.97	2.38	1/2 9/16 5/8 3/4	715
<b>30 TONS</b>											
E30S18L	2014351	30	51.56	46.19	6.84	22.25	3.25	3.62	3.00	5/8 3/4 7/8 1	456
E30S18M	2014353	30	51.56	46.19	9.09	22.25	3.25	3.62	3.00	5/8 3/4 7/8 1	718
E30S18H	2014354	30	51.56	46.19	10.59	22.25	3.25	3.62	3.00	5/8 3/4 7/8 1	898
E30S20L	2014356	30	55.06	46.19	6.84	24.50	3.25	3.62	3.00	3/4 7/8 1, 1-1/8	557
E30S20M	2014358	30	55.06	46.19	8.84	24.50	3.25	3.62	3.00	3/4 7/8 1, 1-1/8	867
E30S20H	2014359	30	55.06	46.19	10.34	24.50	3.25	3.62	3.00	3/4 7/8 1, 1-1/8	1103
E30D14L	2014361	30	43.81	38.44	6.84	18.25	3.25	3.62	3.00	1/2 9/16 5/8 3/4	377
E30D14M	2014363	30	43.81	38.44	8.84	18.25	3.25	3.62	3.00	1/2 9/16 5/8 3/4	528
E30D14H	2014364	30	43.81	38.44	10.34	18.25	3.25	3.62	3.00	1/2 9/16 5/8 3/4	643
E30D18L	2014371	30	51.56	46.19	6.84	22.25	3.25	3.62	3.00	5/8 3/4 7/8 1	516
E30D18M	2014373	30	51.56	46.19	9.09	22.25	3.25	3.62	3.00	5/8 3/4 7/8 1	779
E30D18H	2014374	30	51.56	46.19	10.59	22.25	3.25	3.62	3.00	5/8 3/4 7/8 1	959
E30T14L	2014381	30	45.81	40.44	8.14	18.25	3.25	3.62	3.00	1/2 9/16 5/8 3/4	437
E30T14M	2014383	30	45.81	40.44	10.14	18.25	3.25	3.62	3.00	1/2 9/16 5/8 3/4	587
E30T14H	2014384	30	45.81	40.44	11.64	18.25	3.25	3.62	3.00	1/2 9/16 5/8 3/4	703
E30T16L	2014391	30	49.56	44.19	8.14	20.50	3.25	3.62	3.00	9/16 5/8 3/4 7/8	505
E30T16M	2014393	30	49.56	44.19	10.14	20.50	3.25	3.62	3.00	9/16 5/8 3/4 7/8	703
E30T16H	2014394	30	49.56	44.19	11.64	20.50	3.25	3.62	3.00	9/16 5/8 3/4 7/8	854
E30Q14L	2014401	30	45.81	40.44	10.38	18.25	3.25	3.62	3.00	1/2 9/16 5/8 3/4	503
E30Q14M	2014403	30	45.81	40.44	12.38	18.25	3.25	3.62	3.00	1/2 9/16 5/8 3/4	654
E30Q14H	2014404	30	45.81	40.44	13.88	18.25	3.25	3.62	3.00	1/2 9/16 5/8 3/4	769

# McKissick<sup>®</sup> Easy Reeve<sup>®</sup> Crane Blocks

Model No.	Inquiry Stock No.	Working Load Limit (Tons)*	A Overall Length (in.)	B Net Length (in.)	E Block Thickness (in.)	F Block Width (in.)	H Throat Opening with Flapper (in.)	J Hook Thickness (in.)	K Hook Width (in.)	Standard Wire Rope Size	Weight Each (lbs.)†
<b>35 TONS</b>											
E35S20L	2014406	35	59.12	52.81	6.84	24.50	3.00	4.56	3.63	3/4 7/8 1, 1-1/8	557
E35S20M	2014408	35	59.12	52.81	8.84	24.50	3.00	4.56	3.63	3/4 7/8 1, 1-1/8	867
E35S20H	2014409	35	59.12	52.81	10.34	24.50	3.00	4.56	3.63	3/4 7/8 1, 1-1/8	1103
E35D18L	2014411	35	55.62	49.31	6.84	22.25	3.00	4.56	3.63	5/8 3/4 7/8 1	568
E35D18M	2014413	35	55.62	49.31	9.09	22.25	3.00	4.56	3.63	5/8 3/4 7/8 1	831
E35D18H	2014414	35	55.62	49.31	10.59	22.25	3.00	4.56	3.63	5/8 3/4 7/8 1	1010
E35T14L	2014421	35	49.87	43.56	8.14	18.25	3.00	4.56	3.63	1/2 9/16 5/8 3/4	488
E35T14M	2014423	35	49.87	43.56	10.14	18.25	3.00	4.56	3.63	1/2 9/16 5/8 3/4	639
E35T14H	2014424	35	49.87	43.56	11.64	18.25	3.00	4.56	3.63	1/2 9/16 5/8 3/4	754
E35T16L	2014431	35	53.62	47.31	8.14	20.50	3.00	4.56	3.63	9/16 5/8 3/4 7/8	557
E35T16M	2014433	35	53.62	47.31	10.14	20.50	3.00	4.56	3.63	9/16 5/8 3/4 7/8	755
E35T16H	2014434	35	53.62	47.31	11.64	20.50	3.00	4.56	3.63	9/16 5/8 3/4 7/8	906
E35Q14L	2014441	35	49.87	43.56	10.38	18.25	3.00	4.56	3.63	1/2 9/16 5/8 3/4	555
E35Q14M	2014443	35	49.87	43.56	12.38	18.25	3.00	4.56	3.63	1/2 9/16 5/8 3/4	706
E35Q14H	2014444	35	49.87	43.56	13.88	18.25	3.00	4.56	3.63	1/2 9/16 5/8 3/4	820
<b>40 TONS</b>											
E40T14L	2014451	40	51.94	45.13	8.14	18.25	3.38	5.06	3.72	1/2 9/16 5/8 3/4	545
E40T14M	2014453	40	51.94	45.13	10.14	18.25	3.38	5.06	3.72	1/2 9/16 5/8 3/4	695
E40T14H	2014454	40	51.94	45.13	11.64	18.25	3.38	5.06	3.72	1/2 9/16 5/8 3/4	811
E40T16L	2014461	40	55.69	48.88	8.14	20.50	3.38	5.06	3.72	9/16 5/8 3/4 7/8	614
E40T16M	2014463	40	55.69	48.88	10.14	20.50	3.38	5.06	3.72	9/16 5/8 3/4 7/8	821
E40T16H	2014464	40	55.69	48.88	11.64	20.50	3.38	5.06	3.72	9/16 5/8 3/4 7/8	963
E40T18L	2014471	40	57.69	50.88	8.14	22.25	3.38	5.06	3.72	5/8 3/4 7/8 1	709
E40T18M	2014473	40	57.69	50.88	10.39	22.25	3.38	5.06	3.72	5/8 3/4 7/8 1	972
E40T18H	2014474	40	57.69	50.88	11.89	22.25	3.38	5.06	3.72	5/8 3/4 7/8 1	1096
E40Q14L	2014481	40	51.94	45.13	10.38	18.25	3.38	5.06	3.72	1/2 9/16 5/8 3/4	611
E40Q14M	2014483	40	51.94	45.13	12.38	18.25	3.38	5.06	3.72	1/2 9/16 5/8 3/4	762
E40Q14H	2014484	40	51.94	45.13	13.88	18.25	3.38	5.06	3.72	1/2 9/16 5/8 3/4	877
E40Q16L	2014491	40	55.69	48.88	10.38	20.50	3.38	5.06	3.72	9/16 5/8 3/4 7/8	691
E40Q16M	2014493	40	55.69	48.88	12.38	20.50	3.38	5.06	3.72	9/16 5/8 3/4 7/8	889
E40Q16H	2014494	40	55.69	48.88	13.88	20.50	3.38	5.06	3.72	9/16 5/8 3/4 7/8	1040
<b>45 TONS</b>											
E45T14L	2014501	45	51.94	45.13	8.14	18.25	3.38	5.06	3.72	1/2 9/16 5/8 3/4	545
E45T14M	2014503	45	51.94	45.13	10.14	18.25	3.38	5.06	3.72	1/2 9/16 5/8 3/4	695
E45T14H	2014504	45	51.94	45.13	11.64	18.25	3.38	5.06	3.72	1/2 9/16 5/8 3/4	811
E45T16L	2014511	45	55.69	48.88	8.14	20.50	3.38	5.06	3.72	9/16 5/8 3/4 7/8	614
E45T16M	2014513	45	55.69	48.88	10.14	20.50	3.38	5.06	3.72	9/16 5/8 3/4 7/8	821
E45T16H	2014514	45	55.69	48.88	11.64	20.50	3.38	5.06	3.72	9/16 5/8 3/4 7/8	963
E45T18L	2014521	45	57.69	50.88	8.14	22.25	3.38	5.06	3.72	5/8 3/4 7/8 1	709
E45T18M	2014523	45	57.69	50.88	10.39	22.25	3.38	5.06	3.72	5/8 3/4 7/8 1	972
E45T18H	2014524	45	57.69	50.88	11.89	22.25	3.38	5.06	3.72	5/8 3/4 7/8 1	1151
E45Q14L	2014531	45	51.94	45.13	10.38	18.25	3.38	5.06	3.72	1/2 9/16 5/8 3/4	611
E45Q14M	2014533	45	51.94	45.13	12.38	18.25	3.38	5.06	3.72	1/2 9/16 5/8 3/4	762
E45Q14H	2014534	45	51.94	45.13	13.88	18.25	3.38	5.06	3.72	1/2 9/16 5/8 3/4	877
E45Q16L	2014541	45	55.69	48.88	10.38	20.50	3.38	5.06	3.72	9/16 5/8 3/4 7/8	691
E45Q16M	2014543	45	55.69	48.88	12.38	20.50	3.38	5.06	3.72	9/16 5/8 3/4 7/8	889
E45Q16H	2014544	45	55.69	48.88	13.88	20.50	3.38	5.06	3.72	9/16 5/8 3/4 7/8	1040
<b>50 TONS</b>											
E50T18L	2014551	50	63.75	55.25	11.14	22.25	4.13	6.00	4.44	5/8 3/4 7/8 1	1046
E50T18M	2014553	50	63.75	55.25	13.38	22.25	4.13	6.00	4.44	5/8 3/4 7/8 1	1308
E50T18H	2014554	50	63.75	55.25	14.88	22.25	4.13	6.00	4.44	5/8 3/4 7/8 1	1487
E50Q16L	2014561	50	61.75	53.25	13.31	20.50	4.13	6.00	4.44	9/16 5/8 3/4 7/8	1067
E50Q16M	2014563	50	61.75	53.25	15.31	20.50	4.13	6.00	4.44	9/16 5/8 3/4 7/8	1215
E50Q16H	2014564	50	61.75	53.25	16.81	20.50	4.13	6.00	4.44	9/16 5/8 3/4 7/8	1416
E50QN16L	2014571	50	61.75	53.25	14.06	20.50	4.13	6.00	4.44	9/16 5/8 3/4 7/8	1146
E50QN16M	2014573	50	61.75	53.25	16.06	20.50	4.13	6.00	4.44	9/16 5/8 3/4 7/8	1344
E50QN16H	2014574	50	61.75	53.25	17.56	20.50	4.13	6.00	4.44	9/16 5/8 3/4 7/8	1495
<b>55 TONS</b>											
E55T18L	2014581	55	63.75	55.25	11.14	22.25	4.13	6.00	4.44	5/8 3/4 7/8 1	1046
E55T18M	2014583	55	63.75	55.25	13.38	22.25	4.13	6.00	4.44	5/8 3/4 7/8 1	1308
E55T18H	2014584	55	63.75	55.25	14.88	22.25	4.13	6.00	4.44	5/8 3/4 7/8 1	1487
E55Q16L	2014591	55	61.75	53.25	13.31	20.50	4.13	6.00	4.44	9/16 5/8 3/4 7/8	1067
E55Q16M	2014593	55	61.75	53.25	15.31	20.50	4.13	6.00	4.44	9/16 5/8 3/4 7/8	1265
E55Q16H	2014594	55	61.75	53.25	16.81	20.50	4.13	6.00	4.44	9/16 5/8 3/4 7/8	1416
E55QN16L	2014601	55	61.75	53.25	14.06	20.50	4.13	6.00	4.44	9/16 5/8 3/4 7/8	1146
E55QN16M	2014603	55	61.75	53.25	16.06	20.50	4.13	6.00	4.44	9/16 5/8 3/4 7/8	1344
E55QN16H	2014604	55	61.75	53.25	17.56	20.50	4.13	6.00	4.44	9/16 5/8 3/4 7/8	1495

McKissick Blocks

# McKissick® Easy Reeve® Crane Blocks

Model No.	Inquiry Stock No.	Working Load Limit (Tons)*	A Overall Length (in.)	B Net Length (in.)	E Block Thickness (in.)	F Block Width (in.)	H Throat Opening with Flapper (in.)	J Hook Thickness (in.)	K Hook Width (in.)	Standard Wire Rope Size	Weight Each (lbs.)†
<b>60 TONS</b>											
E60T20L	2014611	60	67.25	58.75	11.14	24.50	4.13	6.00	4.44	3/4 7/8 1, 1-1/8	1170
E60T20M	2014613	60	67.25	58.75	13.14	24.50	4.13	6.00	4.44	3/4 7/8 1, 1-1/8	1472
E60T20H	2014614	60	67.25	58.75	14.64	24.50	4.13	6.00	4.44	3/4 7/8 1, 1-1/8	1672
E60Q18L	2014621	60	63.75	55.25	13.31	22.25	4.13	6.00	4.44	5/8 3/4 7/8 1	1148
E60Q18M	2014623	60	63.75	55.25	15.56	22.25	4.13	6.00	4.44	5/8 3/4 7/8 1	1411
E60Q18H	2014624	60	63.75	55.25	17.06	22.25	4.13	6.00	4.44	5/8 3/4 7/8 1	1590
E60QN18L	2014631	60	63.75	55.25	14.06	22.25	4.13	6.00	4.44	5/8 3/4 7/8 1	1213
E60QN18M	2014633	60	63.75	55.25	16.31	22.25	4.13	6.00	4.44	5/8 3/4 7/8 1	1476
E60QN18H	2014634	60	63.75	55.25	17.81	22.25	4.13	6.00	4.44	5/8 3/4 7/8 1	1654
E60QN20L	2014641	60	67.25	58.75	14.06	24.50	4.13	6.00	4.44	3/4 7/8 1, 1-1/8	1384
E60QN20M	2014643	60	67.25	58.75	16.06	24.50	4.13	6.00	4.44	3/4 7/8 1, 1-1/8	1686
E60QN20H	2014644	60	67.25	58.75	17.56	24.50	4.13	6.00	4.44	3/4 7/8 1, 1-1/8	1886
<b>65 TONS</b>											
E65T20L	2014651	65	67.25	58.75	11.14	24.50	4.13	6.00	4.44	3/4 7/8 1, 1-1/8	1170
E65T20M	2014653	65	67.25	58.75	13.14	24.50	4.13	6.00	4.44	3/4 7/8 1, 1-1/8	1472
E65T20H	2014654	65	67.25	58.75	14.64	24.50	4.13	6.00	4.44	3/4 7/8 1, 1-1/8	1672
E65Q18L	2014661	65	63.75	55.25	13.31	22.25	4.13	6.00	4.44	5/8 3/4 7/8 1	1148
E65Q18M	2014663	65	63.75	55.25	15.56	22.25	4.13	6.00	4.44	5/8 3/4 7/8 1	1411
E65Q18H	2014664	65	63.75	55.25	17.06	22.25	4.13	6.00	4.44	5/8 3/4 7/8 1	1590
E65QN18L	2014671	65	63.75	55.25	14.06	22.25	4.13	6.00	4.44	5/8 3/4 7/8 1	1213
E65QN18M	2014673	65	63.75	55.25	16.31	22.25	4.13	6.00	4.44	5/8 3/4 7/8 1	1476
E65QN18H	2014674	65	63.75	55.25	17.81	22.25	4.13	6.00	4.44	5/8 3/4 7/8 1	1654
E65QN20L	2014681	65	67.25	58.75	14.06	24.50	4.13	6.00	4.44	3/4 7/8 1, 1-1/8	1384
E65QN20M	2014683	65	67.25	58.75	16.06	24.50	4.13	6.00	4.44	3/4 7/8 1, 1-1/8	1686
E65QN20H	2014684	65	67.25	58.75	17.56	24.50	4.13	6.00	4.44	3/4 7/8 1, 1-1/8	1886
<b>70 TONS</b>											
E70T20L	2014691	70	74.19	65.00	11.14	24.50	5.38	6.69	4.81	3/4 7/8 1, 1-1/8	1379
E70T20M	2014693	70	74.19	65.00	13.14	24.50	5.38	6.69	4.81	3/4 7/8 1, 1-1/8	1681
E70T20H	2014694	70	74.19	65.00	14.64	24.50	5.38	6.69	4.81	3/4 7/8 1, 1-1/8	1881
E70Q18L	2014701	70	70.69	61.50	13.31	22.25	5.38	6.69	4.81	5/8 3/4 7/8 1	1450
E70Q18M	2014703	70	70.69	61.50	15.56	22.25	5.38	6.69	4.81	5/8 3/4 7/8 1	1713
E70Q18H	2014704	70	70.69	61.50	17.06	22.25	5.38	6.69	4.81	5/8 3/4 7/8 1	1892
E70QN18L	2014711	70	70.69	61.50	14.06	22.25	5.38	6.69	4.81	5/8 3/4 7/8 1	1387
E70QN18M	2014713	70	70.69	61.50	16.31	22.25	5.38	6.69	4.81	5/8 3/4 7/8 1	1650
E70QN18H	2014714	70	70.69	61.50	17.81	22.25	5.38	6.69	4.81	5/8 3/4 7/8 1	1829
E70QN20L	2014721	70	74.19	65.00	14.06	24.50	5.38	6.69	4.81	3/4 7/8 1, 1-1/8	1663
E70QN20M	2014723	70	74.19	65.00	16.06	24.50	5.38	6.69	4.81	3/4 7/8 1, 1-1/8	1965
E70QN20H	2014724	70	74.19	65.00	17.56	24.50	5.38	6.69	4.81	3/4 7/8 1, 1-1/8	2165
<b>75 TONS</b>											
E75T20L	2014731	75	74.19	65.00	11.14	24.50	5.38	6.69	4.81	3/4 7/8 1, 1-1/8	1379
E75T20M	2014733	75	74.19	65.00	13.14	24.50	5.38	6.69	4.81	3/4 7/8 1, 1-1/8	1681
E75T20H	2014734	75	74.19	65.00	14.64	24.50	5.38	6.69	4.81	3/4 7/8 1, 1-1/8	1881
E75Q18L	2014741	75	70.69	61.50	13.31	22.25	5.38	6.69	4.81	5/8 3/4 7/8 1	1450
E75Q18M	2014743	75	70.69	61.50	15.56	22.25	5.38	6.69	4.81	5/8 3/4 7/8 1	1713
E75Q18H	2014744	75	70.69	61.50	17.06	22.25	5.38	6.69	4.81	5/8 3/4 7/8 1	1892
E75QN18L	2014751	75	70.69	61.50	14.06	22.25	5.38	6.69	4.81	5/8 3/4 7/8 1	1387
E75QN18M	2014753	75	70.69	61.50	16.31	22.25	5.38	6.69	4.81	5/8 3/4 7/8 1	1650
E75QN18H	2014754	75	70.69	61.50	17.81	22.25	5.38	6.69	4.81	5/8 3/4 7/8 1	1829
E75QN20L	2014761	75	74.19	65.00	14.06	24.50	5.38	6.69	4.81	3/4 7/8 1, 1-1/8	1663
E75QN20M	2014763	75	74.19	65.00	16.06	24.50	5.38	6.69	4.81	3/4 7/8 1, 1-1/8	1965
E75QN20H	2014764	75	74.19	65.00	17.56	24.50	5.38	6.69	4.81	3/4 7/8 1, 1-1/8	2165
<b>80 TONS</b>											
E80T20L	2014771	80	74.19	65.00	11.14	24.50	5.38	6.69	4.81	3/4 7/8 1, 1-1/8	1379
E80T20M	2014773	80	74.19	65.00	13.14	24.50	5.38	6.69	4.81	3/4 7/8 1, 1-1/8	1681
E80T20H	2014774	80	74.19	65.00	14.64	24.50	5.38	6.69	4.81	3/4 7/8 1, 1-1/8	1881
E80Q18L	2014781	80	70.69	61.50	13.31	22.25	5.38	6.69	4.81	5/8 3/4 7/8 1	1450
E80Q18M	2014783	80	70.69	61.50	15.56	22.25	5.38	6.69	4.81	5/8 3/4 7/8 1	1713
E80Q18H	2014784	80	70.69	61.50	17.06	22.25	5.38	6.69	4.81	5/8 3/4 7/8 1	1892
E80QN18L	2014791	80	70.69	61.50	14.06	22.25	5.38	6.69	4.81	5/8 3/4 7/8 1	1387
E80QN18M	2014793	80	70.69	61.50	16.31	22.25	5.38	6.69	4.81	5/8 3/4 7/8 1	1650
E80QN18H	2014794	80	70.69	61.50	17.81	22.25	5.38	6.69	4.81	5/8 3/4 7/8 1	1829
E80QN20L	2014801	80	74.19	65.00	14.06	24.50	5.38	6.69	4.81	3/4 7/8 1, 1-1/8	1663
E80QN20M	2014803	80	74.19	65.00	16.06	24.50	5.38	6.69	4.81	3/4 7/8 1, 1-1/8	1965
E80QN20H	2014804	80	74.19	65.00	17.56	24.50	5.38	6.69	4.81	3/4 7/8 1, 1-1/8	2165

\* Ultimate Load is 4 times the Working Load Limit.

† Additional cheek weight kits are available.