



Electric chain hoist model CPV with suspension lug or with integrated trolley

Capacity 250 - 2000 kg

The electric chain hoist model CPV combines modern design and technical innovation. A robust construction makes the series a versatile tool for professional applications.

The integrated limit switch for the highest and lowest hook position considerably extends the working life span of the slip clutch, motor and gearbox.

Features

- Classification: 1 Am/M4 (standard), resp. 1 Bm/M3 (for 230V, 1-phase, 50 Hz). As required (with appropriate changes to lifting capacity resp. duty cycle) the model CPV can also be re-classified up to 3 m/M6.
- Main contactor as standard, for increased safety.
- Increased operating safety through 42V control voltage (low voltage control), push-button pendant control, IP 65.
- 2 year warranty (excluding wear parts) and a lifetime lubricated gearbox.
- Duty cycle 50% ED for single speed.
- Electromagnetic spring pressure brake holds the load safely even in the event of power failure.
- Standard operating voltage: Euro-voltage 400V, 3-phase, 50 Hz, alternatively 460V, 3-phase, 60Hz. Single speed motors reconnectable to 230V, 3-phase, 50 Hz.
- Motor protected to IP 55 (acc. to VDE 0530), against ingress of dust and water jets.
- The externally adjustable slip clutch is designed to guarantee a permanent connection between the load and the brake.
- The standard, oil bath lubricated and case hardened gearbox has a helical gearing for particularly smooth running and enhanced lifetime.
- Suspension lug for compact dimensions and easy integration in closed-eye constructions.
- Chain guide made of fibre coated polyamide for increased wear resistance.

High speed units up to 20 m/min available

Also available as 230V, 1-phase, 50 Hz (25% ED) version.
Optionally available with electric trolley.

Options

- Stainless steel load chain (no reduction of working load limit).
- Suspension hook
- Flexible chain container.
- Other operating voltages.
- Counter for operating hours and number of starts.
- Radio remote control
- Control for synchronized operation of several hoists.
- Manual and electric trolleys.
- Connection to festooned cable systems.
- Suspension for light crane systems.

Festooned cable systems see pages 138-139.

Technical data model CPV/CPVF

Model	EAN-No. 4025092*	Capacity in kg/ number of chain falls	Chain dimensions d x p mm	Classification FEM/ISO	Lifting speed**** main lift m/min	Lifting speed fine lift m/min	Hoist motor kW	Motor rating ED %	Weight* suspension lug kg	Weight* push trolley** kg	Weight* electric trolley*** kg
CPV 2-8	*173070	250/1	4x12.2	1Am/M4	8	-	0.37	50	24	39	47
CPVF 2-8	*173063	250/1	4x12.2	1Am/M4	8	2	0.37/0.09	33/17	25	40	48
CPV 2-20	*303705	250/1	5x15.1	1Am/M4	20	-	0.75	50	26	41	49
CPVF 2-20	*925341	250/1	5x15.1	1Am/M4	20	5	0.75/0.18	33/17	27	42	50
CPV 5-4	*174466	500/2	4x12.2	1Am/M4	4	-	0.37	50	25	40	48
CPVF 5-4	*174442	500/2	4x12.2	1Am/M4	4	1	0.37/0.09	33/17	26	41	49
CPV 5-8	*173766	500/1	5x15.1	1Am/M4	8	-	0.75	50	26	41	49
CPVF 5-8	*173803	500/1	5x15.1	1Am/M4	8	2	0.75/0.18	33/17	27	42	50
CPV 5-20	*303712	500/1	7.1x20.5	1Am/M4	20	-	1.5	50	58	77	84
CPVF 5-20	*303729	500/1	7.1x20.5	1Am/M4	20	5	1.5/0.37	33/17	59	78	85
CPV 6-16	*365123	630/1	7.1x20.5	1Am/M4	16	-	1.5	50	58	77	84
CPVF 6-16	*948548	630/1	7.1x20.5	1Am/M4	16	4	1.5/0.37	33/17	59	78	85
CPV 10-4	*174473	1000/2	5x15.1	1Am/M4	4	-	0.75	50	28	43	51
CPVF10-4	*174725	1000/2	5x15.1	1Am/M4	4	1	0.75/0.18	33/17	29	44	52
CPV 10-8	*173797	1000/1	7.1x20.5	1Am/M4	8	-	1.5	50	58	77	84
CPVF10-8	*173780	1000/1	7.1x20.5	1Am/M4	8	2	1.5/0.37	33/17	59	78	85
CPV 20-4	*174480	2000/2	7.1x20.5	1Am/M4	4	-	1.5	50	63	82	89
CPVF 20-4	*174459	2000/2	7.1x20.5	1Am/M4	4	1	1.5/0.37	33/17	64	83	90

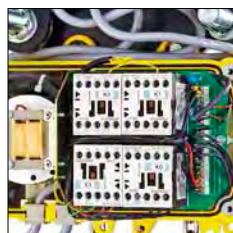
*Weight at standard lift (3 m). Other lifting heights on request.

**For trolleys type A and B: Additional weight for geared trolley (VTG): 2.5 kg

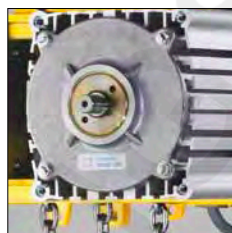
***For electric trolley (VTE) with 2 speeds +2.0 kg

****Lifting speed CPV 10-8 at 230V, 1-phase, 50 Hz = 4 m/min – Lifting speed CPV 20-4 at 230V, 1-phase, 50 Hz = 2 m/min

Yale hoists and trolleys are not designed for passenger elevation applications and must not be used for this purpose.



Increased operating safety through 42 V control voltage



Externally adjustable slip clutch.



Integrated limit switch



Depicted suspension hook and chain container optionally available.

Encapsulated pendant control. Option: radio remote control (in combination with integrated trolley).

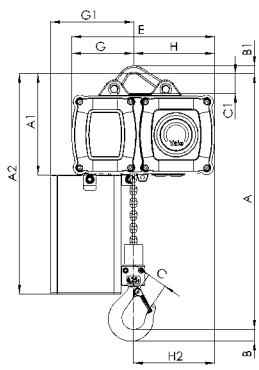
Technical data trolleys

Suitable for	Capacity kg	Size	Beam flange width b mm	Beam flange thickness t max. mm	Curve radius min. m	Electric trolley travel speed m/min at 50 Hz	Electric trolley motor kW at 50 Hz
from CPV 2-8 up to CPVF 10-4	1000	A	58 - 180	19	0.9	18 or 18/4.5	0.18 or 0.18/0.06
from CPV 2-8 up to CPVF 10-4	1000	B	180 - 300	19	0.9	18 or 18/4.5	0.18 or 0.18/0.06
from CPV 6-16 up to CPVF 20-4	2000	A	58 - 180	19	1.15	18 or 18/4.5	0.18 or 0.18/0.06
from CPV 6-16 up to CPVF 20-4	2000	B	180 - 300	19	1.15	18 or 18/4.5	0.18 or 0.18/0.06
CPV/CPVF 5-20	2000	A	58 - 180	19	1.15	18 or 18/4.5	0.18 or 0.18/0.06
CPV/CPVF 5-20	2000	B	180 - 300	19	1.15	18 or 18/4.5	0.18 or 0.18/0.06

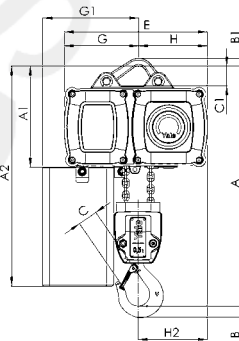
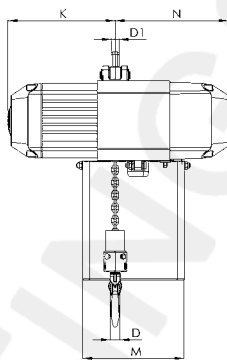
Dimensions model CPV/CPVF

Model	CPV/CPVF 2-8	CPV/CPVF 5-4	CPV/CPVF 5-8 CPV/CPVF 2-20	CPV/CPVF 10-4	CPV/CPVF 10-8 CPV/CPVF 5-20 CPV/CPVF 6-16	CPV/CPVF 20-4
A, mm	357	393	357	430	431	528
A1, mm	196	196	196	196	234	234
A2 (Size I), mm	476	476	476	476	564	564
A2 (Size II), mm	526	526	526	526	644	644
A2 (Size III), mm	606	606	606	606	734	734
A2 (Size IV), mm	798	798	798	798	934	934
B, mm	22	22	22	29	29	37
B1, mm	15	15	15	15	20	20
C, mm	29	29	29	35	35	40
C1, mm	38	38	38	38	45	45
C2, mm	105	105	105	105	154	154
D, mm	15	15	15	21	21	26
D1, mm	15	15	15	15	15	15
E, mm	277	277	277	277	326	326
G, mm	120	144	120	144	140	173
G1 (Size I), mm	142	166	142	166	175	208
G1 (Size II), mm	162	186	162	186	175	208
G1 (Size III), mm	162	186	162	186	175	208
G1 (Size IV), mm	162	186	162	186	175	208
H, mm	157	133	157	133	186	154
H2, mm	158	158	158	158	186	186
K (CPV), mm	208	208	208	208	285	285
K (CPVF), mm	208	208	208	208	285	285
M (Size I), mm	162	162	162	162	209	209
M (Size II), mm	197	197	197	197	209	209
M (Size III), mm	197	197	197	197	209	209
M (Size IV), mm	197	197	197	197	209	209
N*, mm	219	219	219	219	274	274

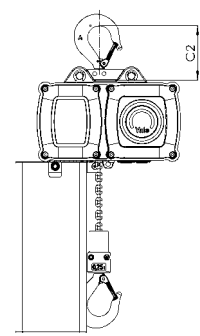
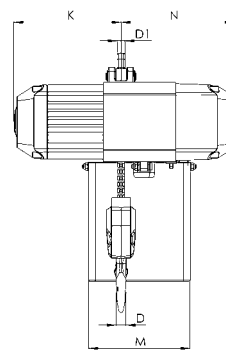
*for 230 V, 1-phase, 50 Hz: +35 mm



Model CPV/CPVF
with suspension lug, 250 - 1000 kg, single fall



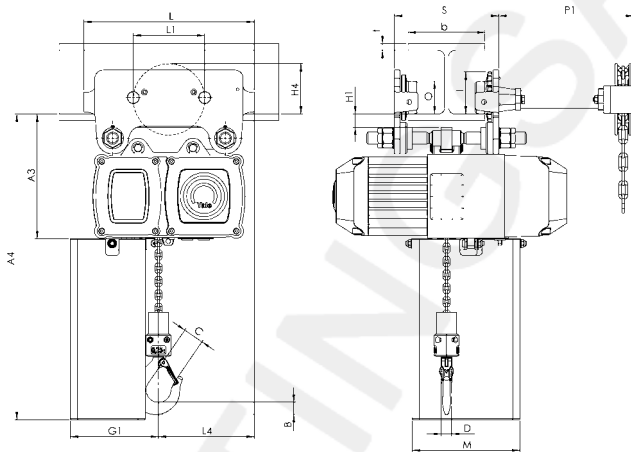
Model CPV/CPVF
with suspension lug, 500 - 2000 kg, double fall



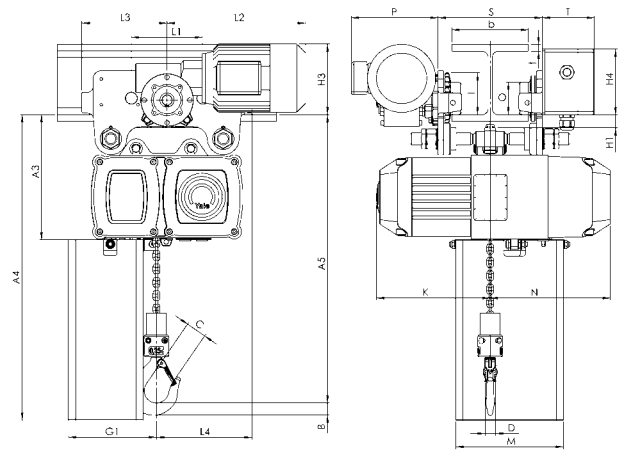
Model CPV/CPVF
with suspension hook,
250 - 2000 kg

Dimensions model CPV/CPVF

Model	CPV/CPVF 2-8	CPV/CPVF 5-4	CPV/CPVF 5-8 CPV/CPVF 2-20	CPV/CPVF 10-4	CPV/CPVF 10-8 CPV/CPVF 5-20 CPV/CPVF 6-16	CPV/CPVF 20-4
A3, mm	228	228	228	228	263	263
A4 (Size I), mm	508	508	508	508	593	593
A4 (Size II), mm	558	558	558	558	673	673
A4 (Size III), mm	638	638	638	638	768	768
A4 (Size IV), mm	830	830	830	830	968	968
A5, mm	389	425	389	462	460	558
b, mm	A = 58 - 180/ B = 180 - 300	A = 58 - 180/ B = 180 - 300	A = 58 - 180/ B = 180 - 300	A = 58 - 180/ B = 180 - 300	A = 58 - 180/ B = 180 - 300	A = 58 - 180/ B = 180 - 300
H1, mm	24	24	24	24	23	23
H3, mm	129	129	129	129	129	129
H4 (VTG), mm	95	95	95	95	95	95
H4 (VTE), mm	142	142	142	142	142	142
l (Pushed trolley), mm	72	72	72	72	96	96
l (Geared trolley), mm	77	77	77	77	98	98
L (VTP/VTG), mm	310	310	310	310	360	360
L1, mm	130	130	130	130	150	150
L2 (CPV), mm	255	255	255	255	255	255
L2 (CPVF), mm	263	263	263	263	263	263
L3, mm	155	155	155	155	180	180
L4, mm	136	161	173	161	203	203
O, mm	60	60	60	60	80	80
P, mm	180	180	180	180	180	180
P1, mm	246	246	246	246	246	246
S, mm	b + 50	b + 50	b + 50	b + 50	b + 54	b + 54
T, mm	94	94	94	94	94	94
tmax., mm	19	19	19	19	19	19



Model CPV/CPVF with integrated manual push or geared trolley



Model CPV/CPVF with integrated electric trolley