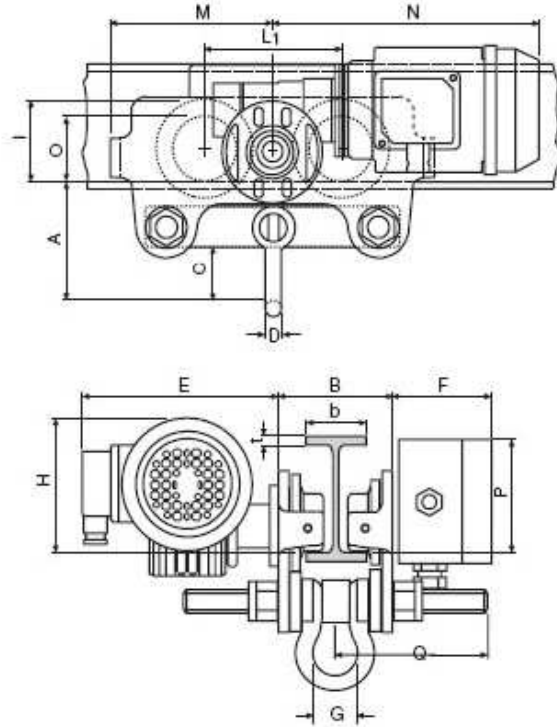




SELBY ENGINEERING & LIFTING SAFETY LTD.

Lifting Equipment and Height Safety Specialists
 www.liftingsafety.co.uk Email: sales@liftingsafety.co.uk
 Tel: (01977) 684600 Fax: (01977) 685300

Yale VTE Technical Dimensions in mm



Wheel with cambered profile



Wheel fracture supports with option to fit buffers



Threaded spindle

Dimension	VTE 1-A-18/U (mm)	VTE 1-B-18/U (mm)	VTE 2-A-18/U (mm)	VTE 2-B-18/U (mm)	VTE 3-A-11/U (mm)	VTE 3-B-11/U (mm)	VTE 5-A-11/U (mm)	VTE 5-B-11/U (mm)
A	113	113	115	115	139	139	161	161
B	b + 50	b + 50	b + 54	b + 54	b + 60	b + 60	b + 70	b + 70
C	49	49	47	47	57	57	60	60
D	16	16	16	16	19	19	22	22
E	187	187	187	187	202	202	202	202
F	97	97	97	97	97	97	97	97
G	43	43	43	43	51	51	58	58
H	129	129	128	128	144	144	178	178
I	77	77	98	98	133	133	149	149
L1	130	130	150	150	180	180	209	209
M	155	155	180	180	208	208	263	263
N 1G	255	255	255	255	292	292	292	292
N 2G	263	2623	263	263	296	296	296	296
O	60	60	80	80	112	112	125	125
P	125	125	110	110	126	126	118	118
Q	145	205	153	213	160	220	182	242

