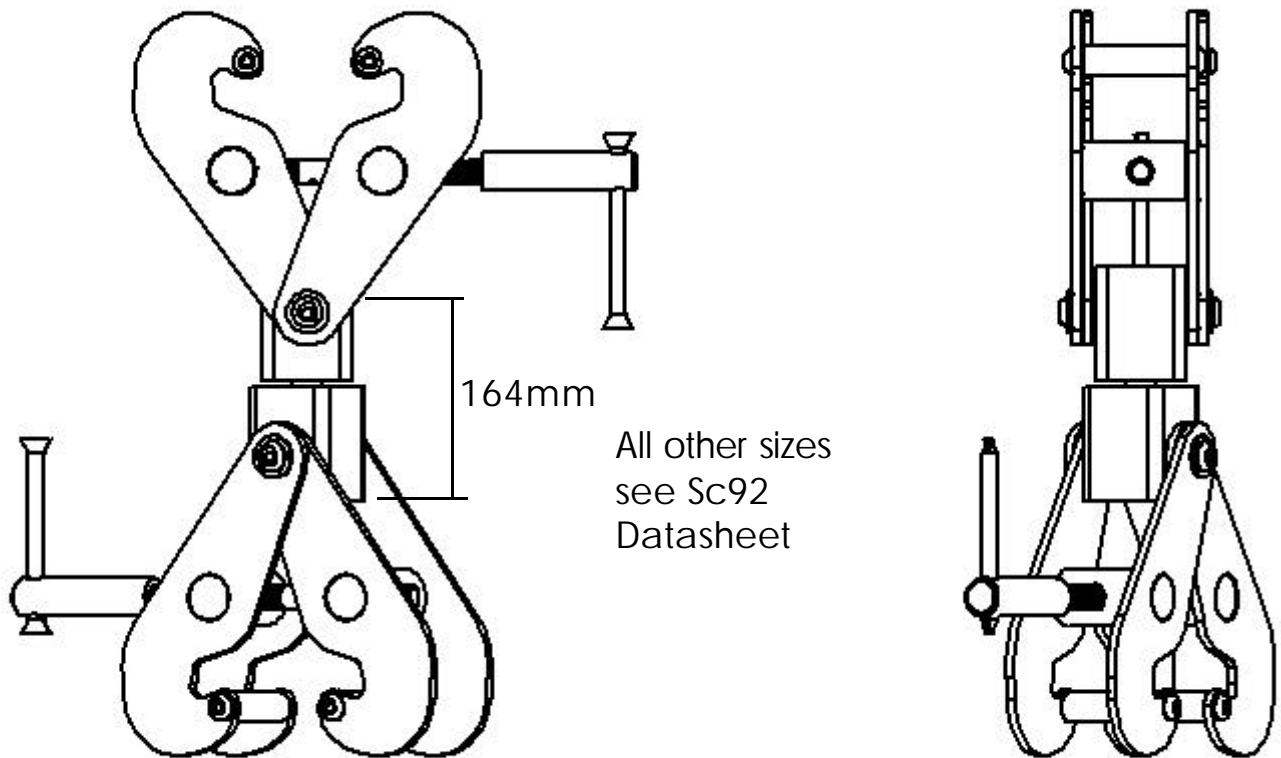


**DESCRIPTION**

The twinscrewlokbeamclampsaredesigned toenableonebeam tobesuspended beneath anotherbeam. Theclampcanbequicklyandeasilyattachedtobothbeams via the screwmechanism. The SCT twinclamps canbesupplied fixed at parallel, at 90° to each other orwithaswivelmechanismthatalloes360°rotation.Thisclampcanonlybeusedforsupporting vertical loads. For other applicationsanalternativeclampmust beselected.

**DIAGRAM**



**TABLE**

Model	WLL (Ton)	Weight (Kg)
SC921 T	1	11
SC922 T	2	13
SC923 T	3	16
SC923 L/T	3	20
SC925 T	5	23
SC925 L/T	5	27
SC9210T	10	37

FIXED  
AT 90°



CadTechnicalServ\