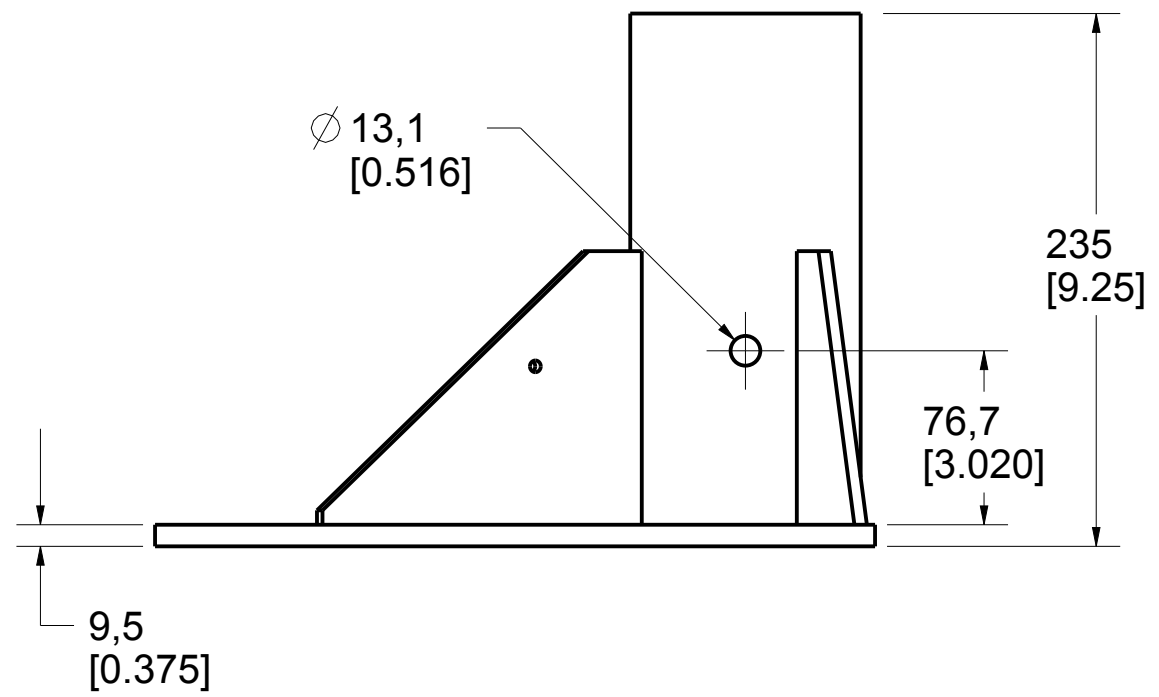
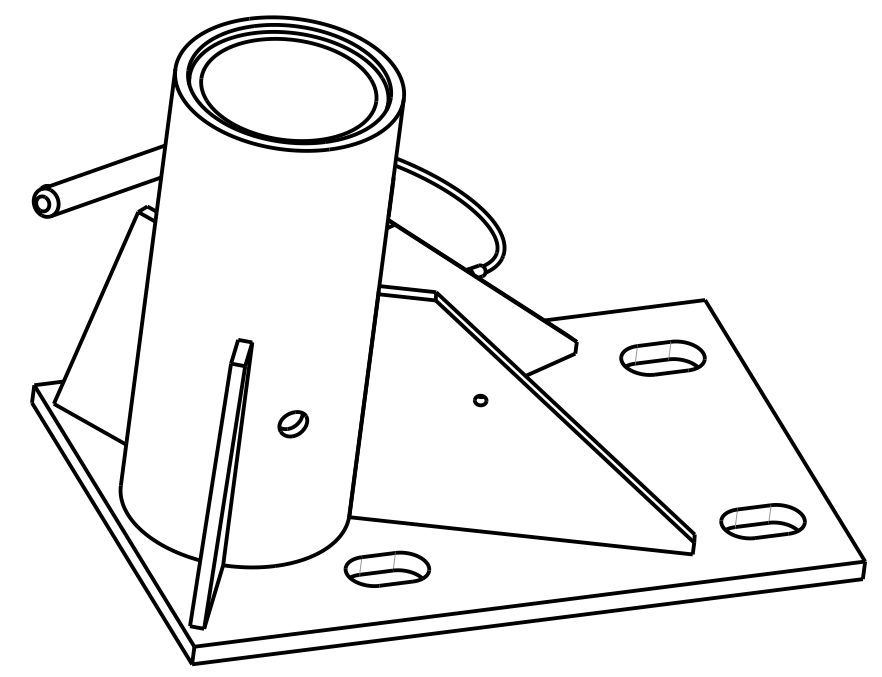
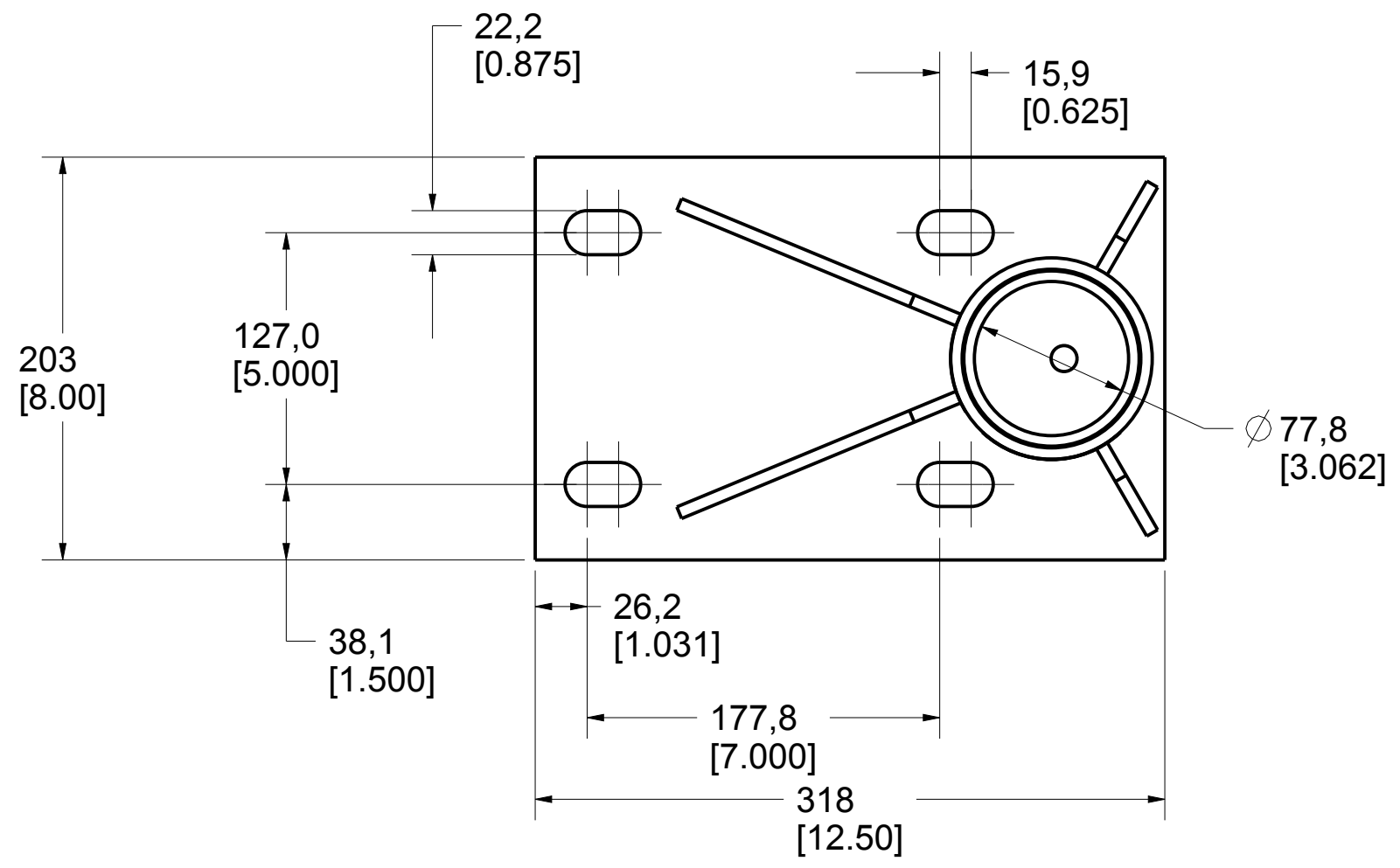



Product number: IN-2311

H
G
F
E
D
C
B
A



| | | | | |
|--|-------------------------|---|---------|------|
| PAT.NO.: | |  | | |
| PRODUITS DE SERVICE PUBLICS INNOVA INC. INNOVA PUBLIC UTILITY PRODUCTS INC. | | | | |
| <small>© 9105-0732 QUEBEC INC. and under exclusive license to INNOVA PUBLIC UTILITY PRODUCTS INC., (hereafter « INNOVA »). All rights reserved. Protected under the Copyright Act of Canada and international treaties and agreements regarding copyrights. Violators are subject to prosecution and other legal recourses for infringement. Any reproduction, adaptation or other use or disclosure whatsoever, in totality or in part, and in any form or by any means whatsoever, strictly forbidden and requires the prior written approval of INNOVA. All data is the exclusive property of 9105-0732 QUEBEC INC. and under exclusive license to INNOVA and cannot be used nor disclosed in any way either without the prior written approval of INNOVA».</small> | | | | |
| WEIGHT: | TITLE: | | | |
| 22 Lb | 76mm (3") Floor adapter | | | |
| 10 Kg | | | | |
| COLOR: | Material: | SHEET(S): | PROJET: | Rev. |
| | SS 316 | 1 / 5 | IN-2311 | 03 |

H
G
F
E
D
C
B
A

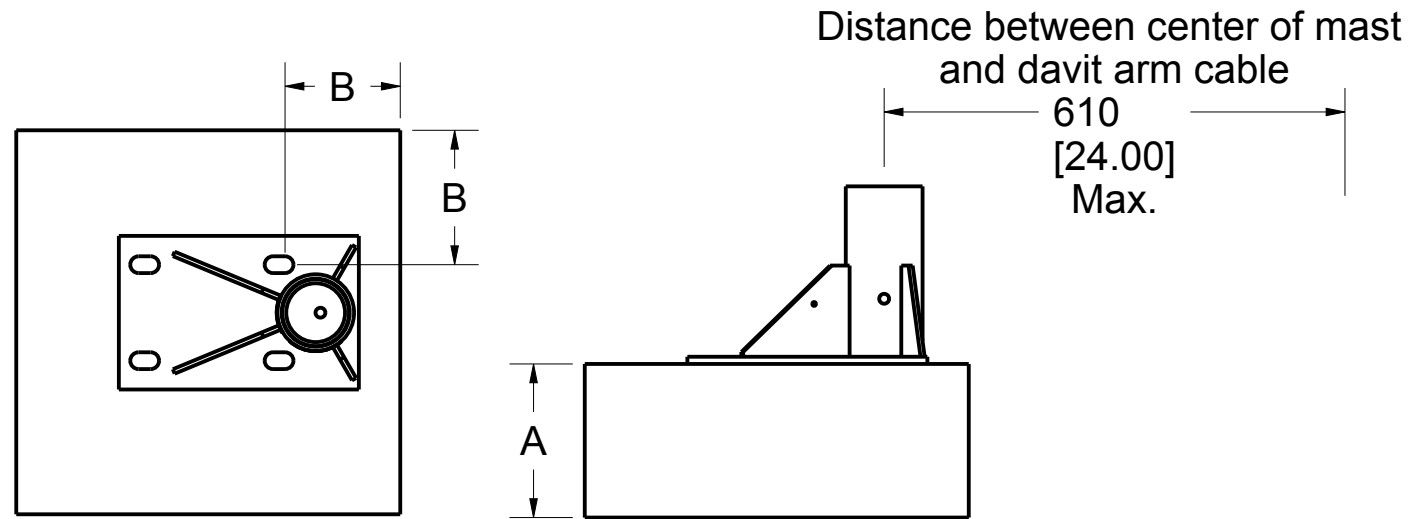
8 7 6 5 4 3 2 1

8 7 6 5 4 3 2 1

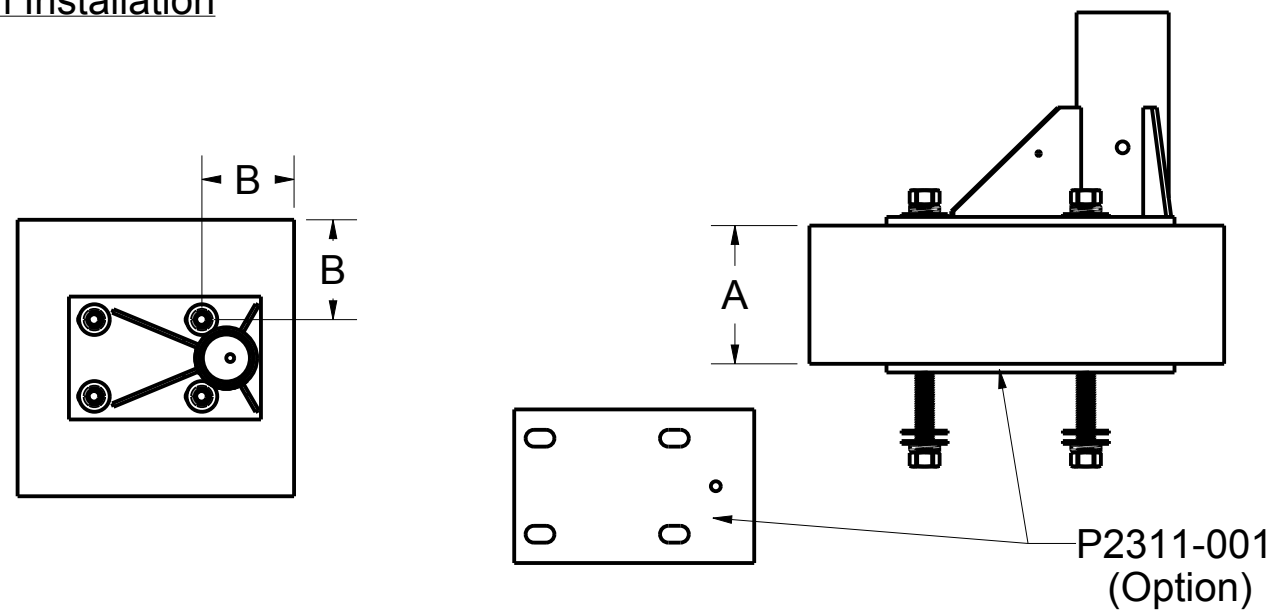
Base Installation Requirements

Product number: **IN-2311**

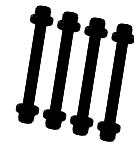
Full Thickness Installation



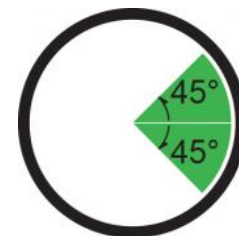
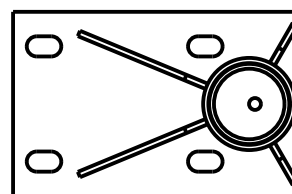
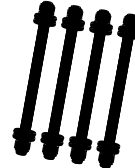
Sandwich Installation



IN-2174 (Option)



IN-2212 (Option)



Allowable Working Angle

ANSI, CSA, OSHA

| | Full thickness | Example * | Sandwich | Example * |
|--|---|--------------------------|--|--------------------------|
| Minimum thickness (A) | Refer to fastener manufacturer specifications | 203 mm (8.00") | To be determined by the local engineer | 152 mm (6.00") |
| Minimum edge distance (B) | Refer to fastener manufacturer specifications | 152 mm (6.00") | To be determined by the local engineer | 152 mm (6.00") |
| Embedment depth | Refer to fastener manufacturer specifications | 152 mm (6.00") | N / A | N / A |
| Minimum pullout strength per fastener | 18,7 kN (4 204 lbf) | 18,7 kN (4 204 lbf) | 18,7 kN (4 204 lbf) | 18,7 kN (4 204 lbf) |
| Maximum moment applied to the structure | 9,8 kN•m (86 400 lbf•in) | 9,8 kN•m (86 400 lbf•in) | 9,8 kN•m (86 400 lbf•in) | 9,8 kN•m (86 400 lbf•in) |
| Maximum vertical load applied to the structure | 22,3 kN (5 000 lbf) | 22,3 kN (5 000 lbf) | 22,3 kN (5 000 lbf) | 22,3 kN (5 000 lbf) |

Note:

1. It is the responsibility of the local engineer to assure installation compliance.
2. To be installed with 3/4" (M20) minimum ϕ stainless steel anchors. Smaller anchors must be validated by the local engineer.
3. All other variation must be approved by the local engineer.
4. *Typical installation concrete for 21 MPa (3000 psi) and 0.2% gross area rebar reinforcement.

PAT.NO.:



PRODUITS DE SERVICE PUBLICS INNOVA INC.
INNOVA PUBLIC UTILITY PRODUCTS INC.

© 9105-0732 QUEBEC INC. and under exclusive license to INNOVA PUBLIC UTILITY PRODUCTS INC. (hereafter « INNOVA »). All rights reserved. Protected under the Copyright Act of Canada and international treaties and agreements regarding copyrights. Violators are subject to prosecution and other legal recourses for infringement. Any reproduction, adaptation or other use or disclosure whatsoever, in totality or in part, and in any form or by any means whatsoever, strictly forbidden and requires the prior written approval of INNOVA. All data is the exclusive property of 9105-0732 QUEBEC INC. and under exclusive license to INNOVA and cannot be used nor disclosed in any way either without the prior written approval of INNOVA.

WEIGHT:

22 Lb

10 Kg

TITLE:

76mm (3") Floor adapter

COLOR:

Material:
SS 316

SHEET(S):

2 / 5

PROJET:

IN-2311

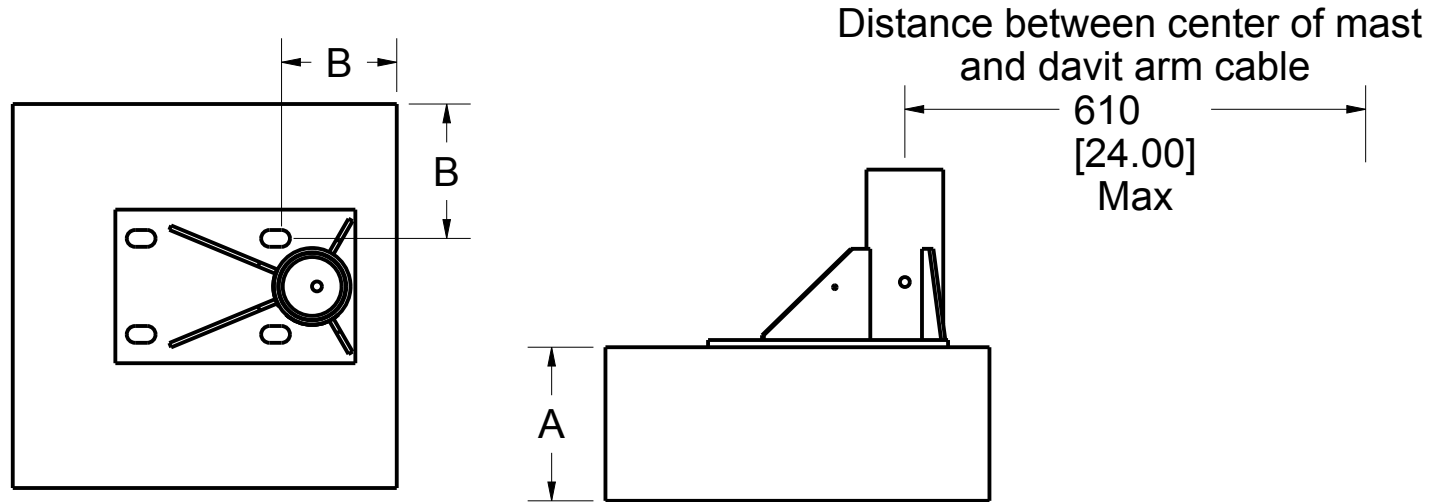
Rev.

03

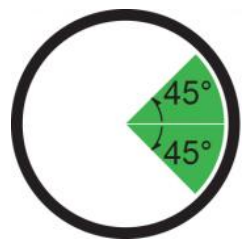
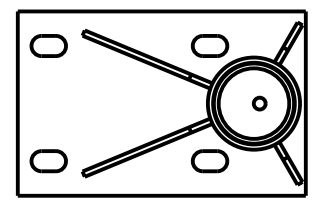
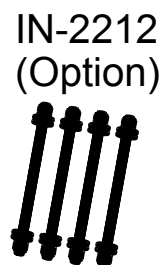
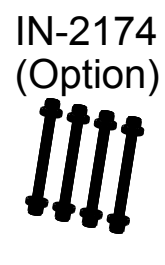
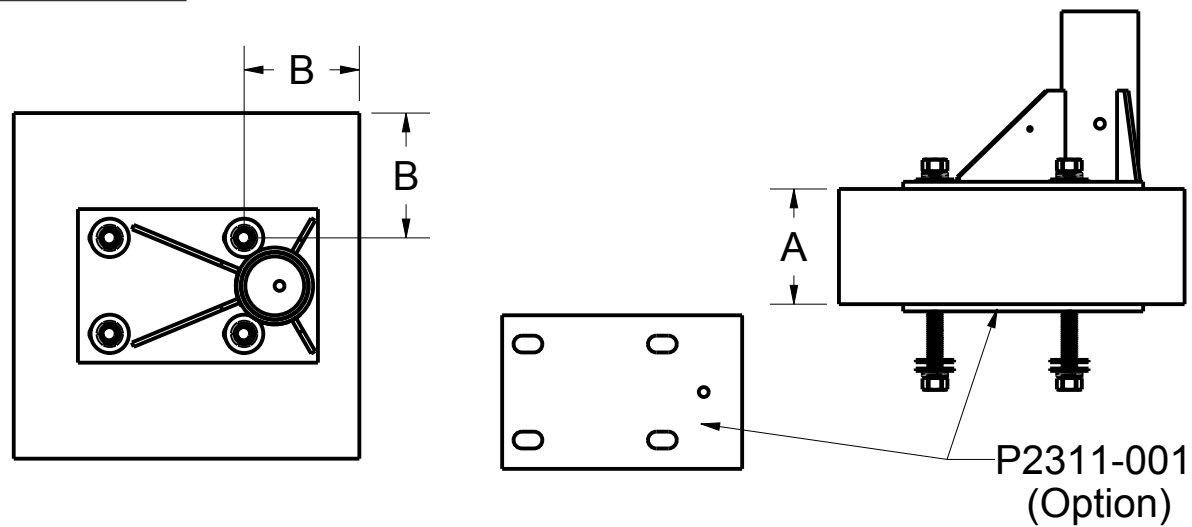
Base Installation Requirements

Product number: **IN-2311**

Full Thickness Installation



Sandwich Installation



Allowable Working Angle

EN 795, TS16415

| | Full thickness | Sandwich |
|--|---|--|
| Minimum thickness (A) | Refer to fastener manufacturer specifications | To be determined by the local engineer |
| Minimum edge distance (B) | Refer to fastener manufacturer specifications | To be determined by the local engineer |
| Embedment depth | Refer to fastener manufacturer specifications | To be determined by the local engineer |
| Minimum pullout strength per fastener | 15,2 kN (3 417 lbf) | 15,2 kN (3 417 lbf) |
| Maximum moment applied to the structure | 7,9 kN•m (69 921 lbf•in) | 7,9 kN•m (69 921 lbf•in) |
| Maximum vertical load applied to the structure | 13,0 kN (2 923 lbf) | 13,0 kN (2 923 lbf) |

Note:
 1. It is the responsibility of the local engineer to assure installation compliance.
 2. To be installed with 3/4" (M20) minimum ϕ stainless steel anchors. Smaller anchors must be validated by the local engineer.
 3. All other variation must be approved by the local engineer.

PAT.NO.:

PRODUITS DE SERVICE PUBLICS INNOVA INC.
INNOVA PUBLIC UTILITY PRODUCTS INC.

© 9105-0732 QUEBEC INC. and under exclusive license to INNOVA PUBLIC UTILITY PRODUCTS INC. (hereafter « INNOVA »). All rights reserved. Protected under the Copyright Act of Canada and international treaties and agreements regarding copyrights. Violators are subject to prosecution and other legal recourses for infringement. Any reproduction, adaptation or other use or disclosure whatsoever, in totality or in part, and in any form or by any means whatsoever, strictly forbidden and requires the prior written approval of INNOVA. All data is the exclusive property of 9105-0732 QUEBEC INC. and under exclusive license to INNOVA and cannot be used nor disclosed in any way either without the prior written approval of INNOVA.

WEIGHT: 22 Lb / 10 Kg
 TITLE: 76mm (3") Floor adapter

| | | | | |
|--------|-----------|-----------|---------|------|
| COLOR: | Material: | SHEET(S): | PROJET: | Rev. |
| | SS 316 | 3 / 5 | IN-2311 | 03 |

SPECIFICATIONS

This equipment is considered as part of a personal fall arrest system (PFAS).
 It is only to be used in conjunction with a personal fall arrest system that limits the maximum arrest force (MAF) to 6,0 kN.

| | | |
|-----------------------------|------------|-----------------|
| Working load limit (WLL) : | 164 kg | (360 lb) |
| Minimum breaking strength : | 16,0 kN | (3 600 lbf) |
| Maximum working moment : | 0,976 kN•m | (8 640 lbf•in) |
| Maximum design moment : | 9,8 kN•m | (86 400 lbf•in) |

STANDARDS

| Name | Classification | Year | Users |
|--------------------|----------------|------|-------|
| ANSI / ASSE Z359.1 | | 2007 | 1 |
| CAN / CSA Z259.2.1 | | 1998 | 1 |
| OSHA 1910.66 AppC | | | 1 |
| EN 795 | | 2012 | 1 |
| CEN / TS 16415 | | 2013 | 2 |

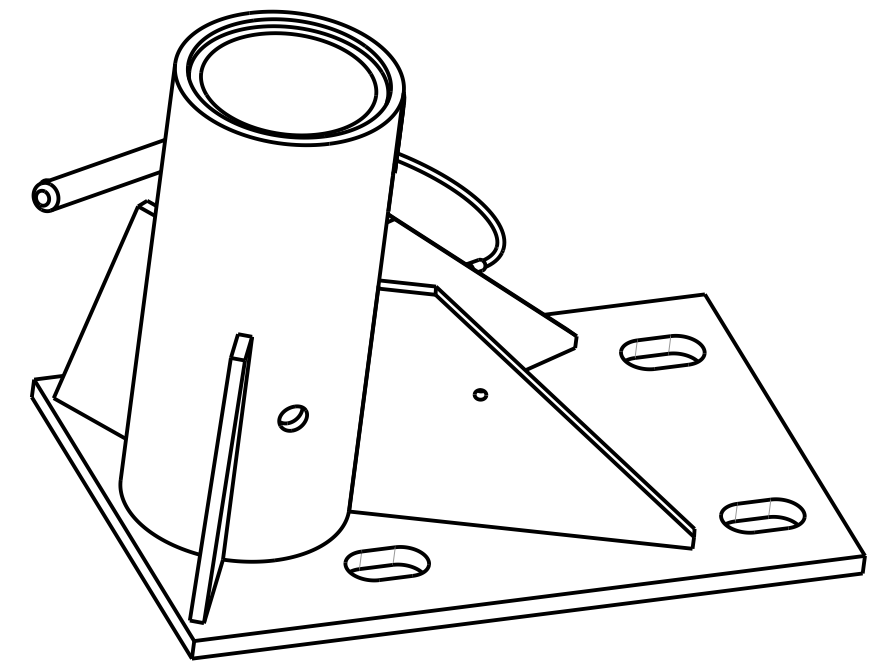
MATERIAL AND CONSTRUCTION

Structure : Stainless Steel 316
 Hardware : Stainless Steel
 Welding certification : Steel / Stainless Steel : CSA W59.18 / CSA W47.1 and AWS D1.6

RESTRICTIONS

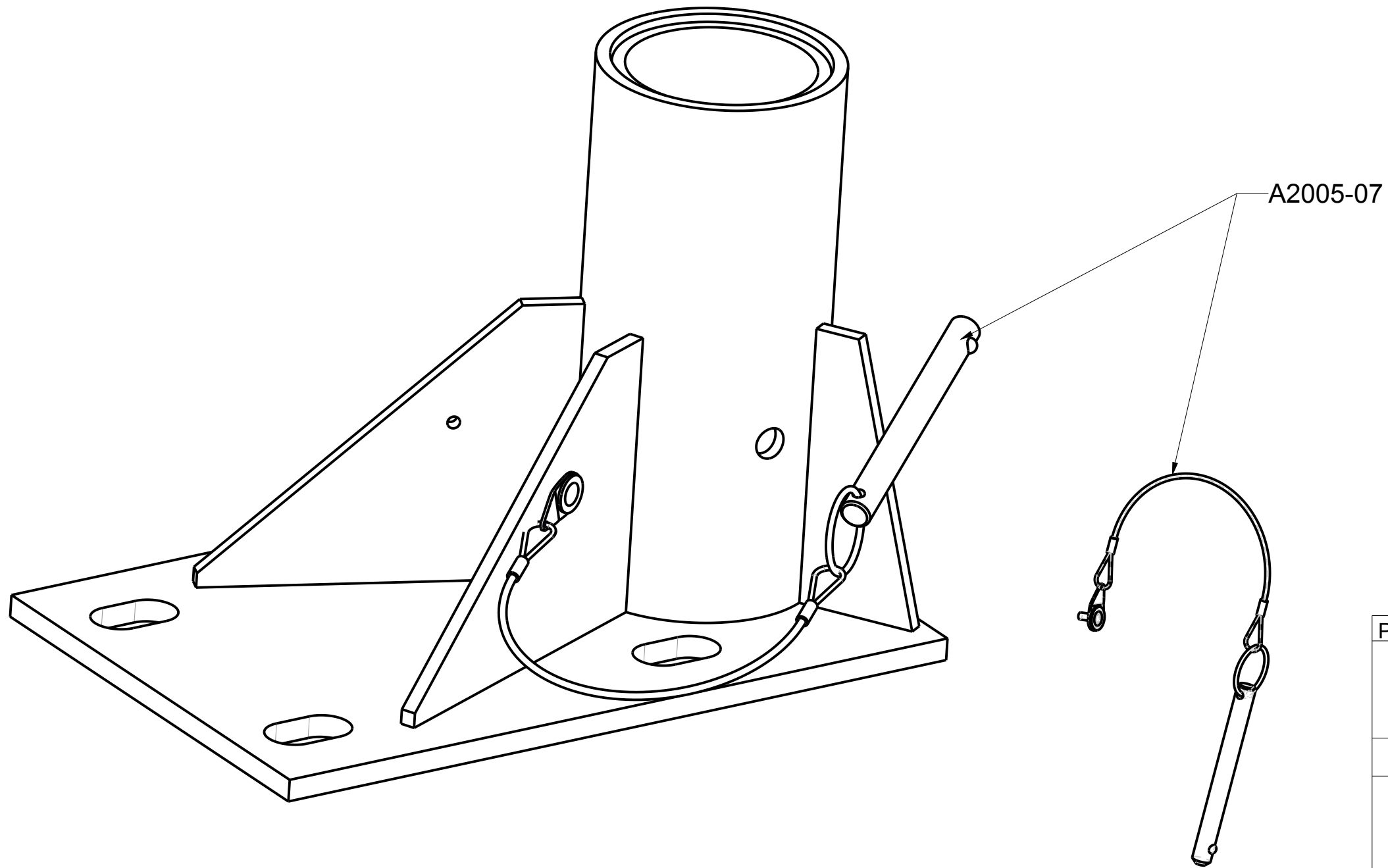
This equipment is to be used only with products approved by Innova Public Utility Products Inc.
 This equipment must always be operated on a level surface.
 Ensure that all hardwares and connecting pins are properly installed before use.
 In the occurrence of a fall or that the safety of the equipment is in doubt, the equipment must be immediately removed from service and inspected by qualified personnel before reuse.


Product number: **IN-2311**



| | | | | |
|--|-------------------------|-----------|---------|------|
| PAT.NO.: | | | | |
| | | | | |
| PRODUITS DE SERVICE PUBLICS INNOVA INC. INNOVA PUBLIC UTILITY PRODUCTS INC. | | | | |
| © 9105-0732 QUEBEC INC. and under exclusive license to INNOVA PUBLIC UTILITY PRODUCTS INC., (hereafter « INNOVA »). All rights reserved. Protected under the Copyright Act of Canada and international treaties and agreements regarding copyrights. Violators are subject to prosecution and other legal recourses for infringement. Any reproduction, adaptation or other use or disclosure whatsoever, in totality or in part, and in any form or by any means whatsoever, strictly forbidden and requires the prior written approval of INNOVA. All data is the exclusive property of 9105-0732 QUEBEC INC. and under exclusive license to INNOVA and cannot be used nor disclosed in any way either without the prior written approval of INNOVA. | | | | |
| WEIGHT: | TITLE: | | | |
| 22 Lb | 76mm (3") Floor adapter | | | |
| 10 Kg | | | | |
| COLOR: | Material: | SHEET(S): | PROJET: | Rev. |
| | SS 316 | 4 / 5 | IN-2311 | 03 |

Product number: IN-2311



| | | | | |
|--|-------------------------|---|---------|------|
| PAT.NO.: | |  | | |
| PRODUITS DE SERVICE PUBLICS INNOVA INC. INNOVA PUBLIC UTILITY PRODUCTS INC. | | | | |
| <small>© 9105-0732 QUEBEC INC. and under exclusive license to INNOVA PUBLIC UTILITY PRODUCTS INC., (hereafter « INNOVA »). All rights reserved. Protected under the Copyright Act of Canada and international treaties and agreements regarding copyrights. Violators are subject to prosecution and other legal recourses for infringement. Any reproduction, adaptation or other use or disclosure whatsoever, in totality or in part, and in any form or by any means whatsoever, strictly forbidden and requires the prior written approval of INNOVA. All data is the exclusive property of 9105-0732 QUEBEC INC. and under exclusive license to INNOVA and cannot be used nor disclosed in any way either without the prior written approval of INNOVA».</small> | | | | |
| WEIGHT: | TITLE: | | | |
| 22 Lb | 76mm (3") Floor adapter | | | |
| 10 Kg | | | | |
| COLOR: | Material: | SHEET(S): | PROJET: | Rev. |
| | SS 316 | 5 / 5 | IN-2311 | 03 |