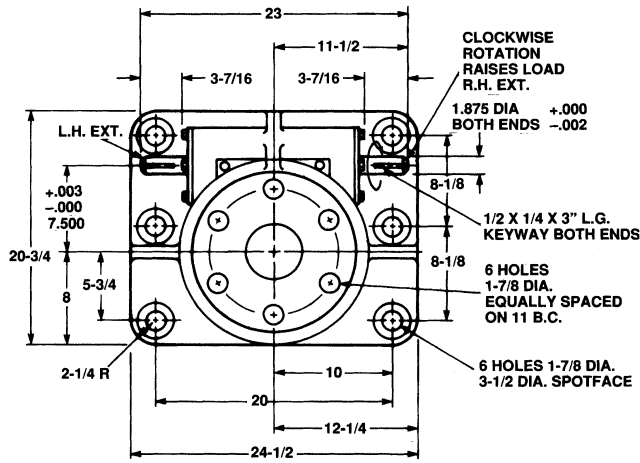


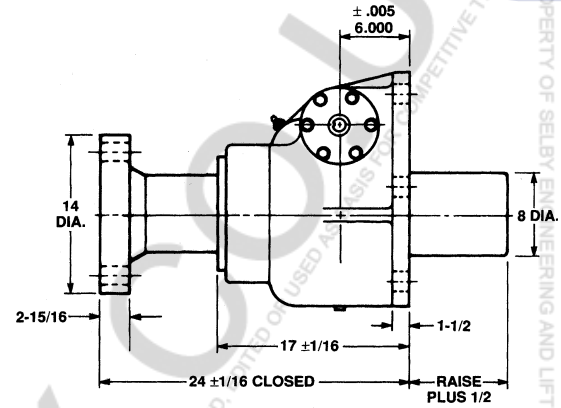
SELBY ENGINEERING AND LIFTING SAFETY LTD. TEL: +44 (0) 1977 684 600  
 THIS DOCUMENT IS PROPERTY OF SELBY ENGINEERING AND LIFTING SAFETY LTD. UNDER NO CIRCUMSTANCES MUST THIS DOCUMENT BE REDISTRIBUTED, EDITED OR USED AS BASIS FOR COMPETITIVE TENDER

# Machine Screw Actuators

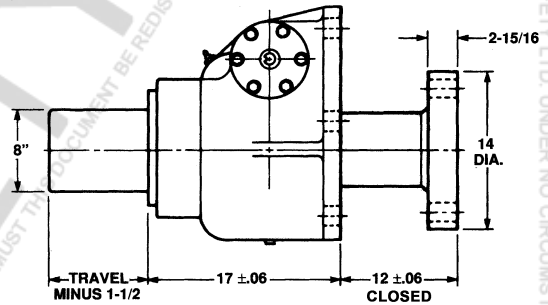
## 150 Ton Capacity



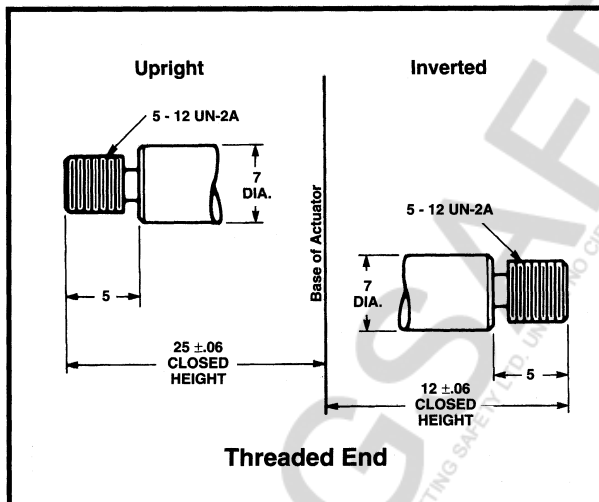
7" Diameter x 1" Lead Lifting Screws



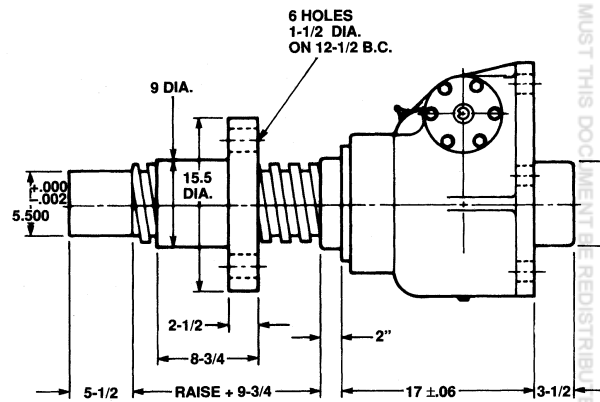
Upright: M-18150



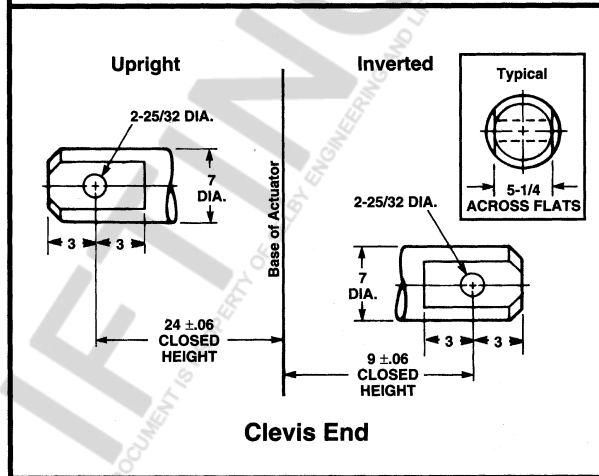
Inverted: M-18149



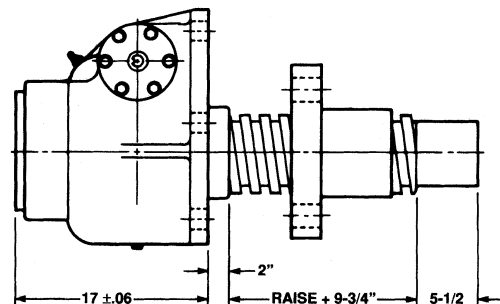
Threaded End



Upright Rotating: UM-18151



Clevis End



Inverted Rotating: DM-18151

Note: Lifting screw is not keyed. Top should be secured to a lifting member to prevent rotation. When a Bellows Boot is required, see pages 143-144. Dimensions are subject to change without notice.

SELBY ENGINEERING AND LIFTING SAFETY LTD. TEL: +44 (0) 1977 684 600  
 THIS DOCUMENT IS PROPERTY OF SELBY ENGINEERING AND LIFTING SAFETY LTD. UNDER NO CIRCUMSTANCES MUST THIS DOCUMENT BE REDISTRIBUTED, EDITED OR USED AS BASIS FOR COMPETITIVE TENDER