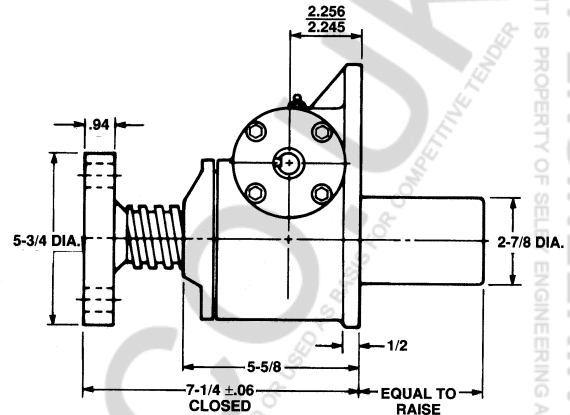
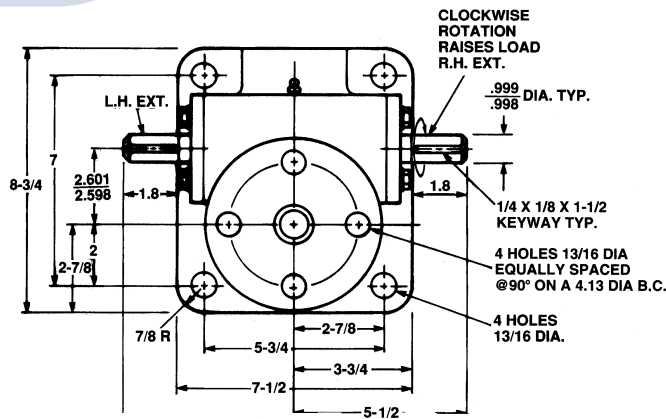


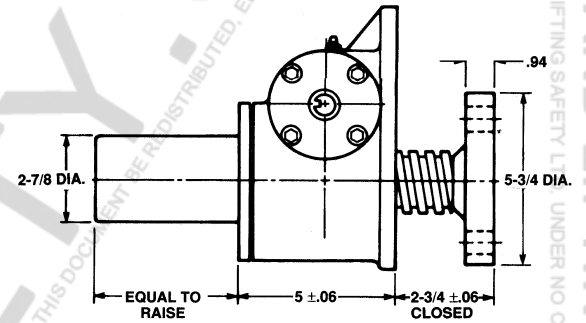
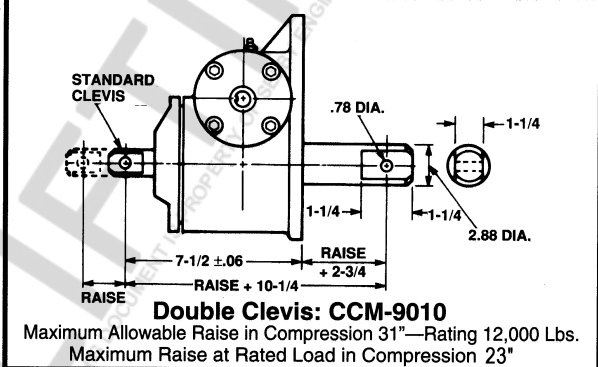
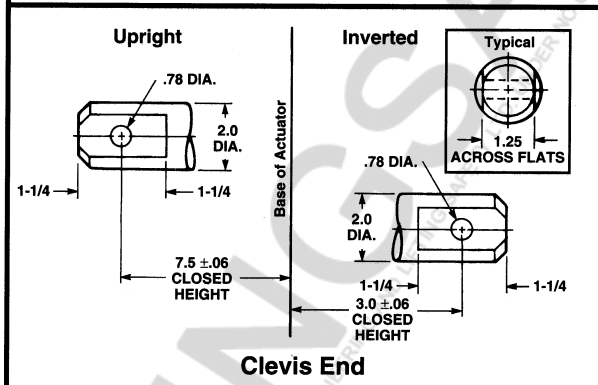
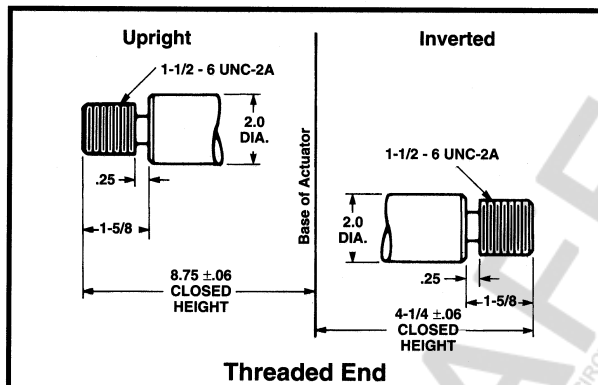
Machine Screw Actuators

10 Ton Capacity

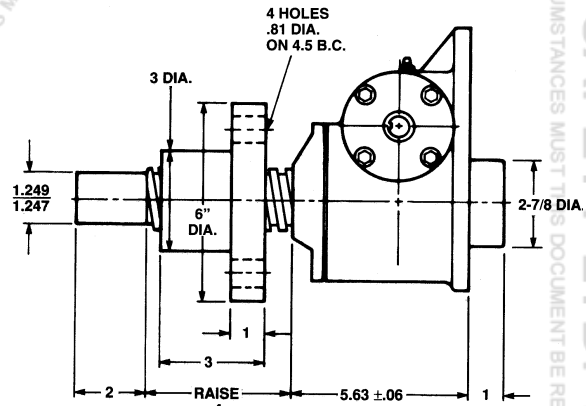


Upright: M-9010

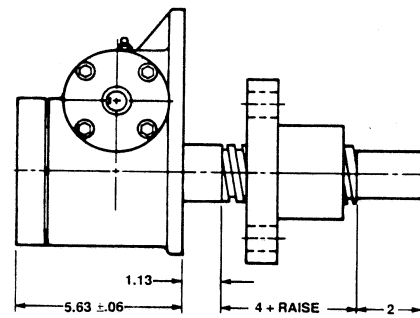
2" Diameter x .500 Lead Lifting Screws



Inverted: M-9009



Upright Rotating: UM-9011



Inverted Rotating: DM-9011

Note: Lifting screw is not keyed. Top should be secured to a lifting member to prevent rotation. When a Bellows Boot is required, see pages 143-144. Dimensions are subject to change without notice.

SELBY ENGINEERING AND LIFTING SAFETY LTD. TEL: +44 (0) 1977 684 600

SELBY ENGINEERING AND LIFTING SAFETY LTD. TEL: +44 (0) 1977 684 600