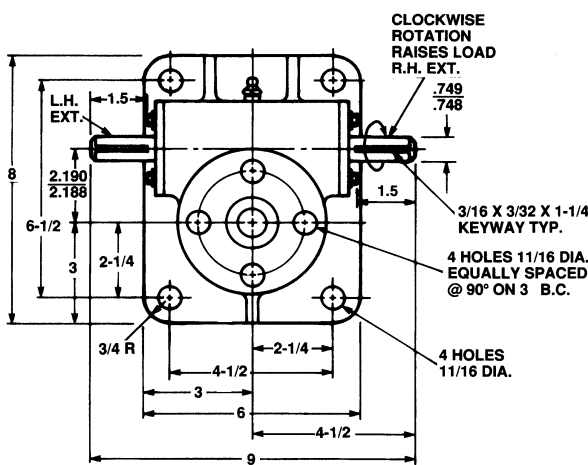


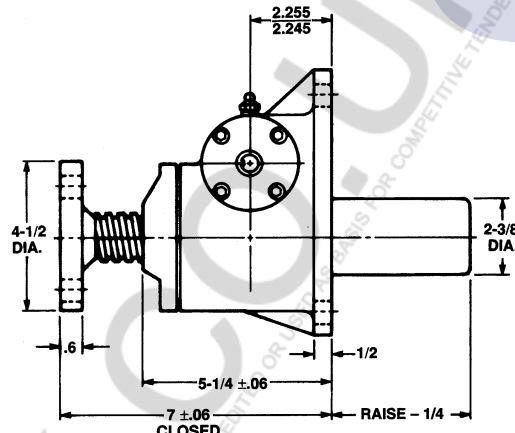
SELBY ENGINEERING AND LIFTING SAFETY LTD. TEL: +44 (0) 1977 684 600
 THIS DOCUMENT IS PROPERTY OF SELBY ENGINEERING AND LIFTING SAFETY LTD. UNDER NO CIRCUMSTANCES MUST THIS DOCUMENT BE REDISTRIBUTED, EDITED OR USED AS BASIS FOR COMPETITIVE TENDER

Machine Screw Actuators

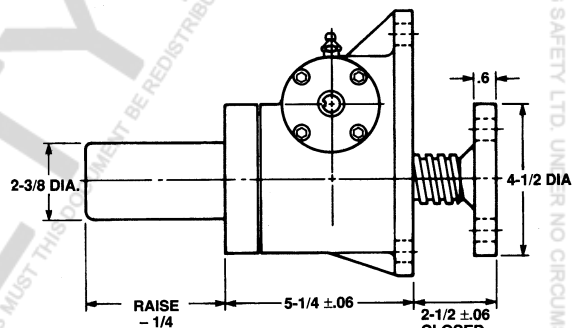
5 Ton Capacity



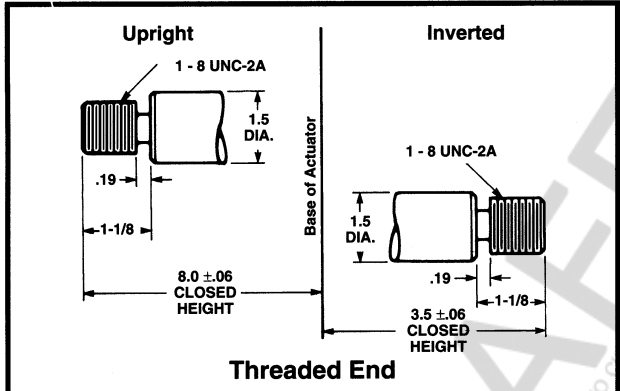
1 1/2" Diameter x .375 Lead Lifting Screws



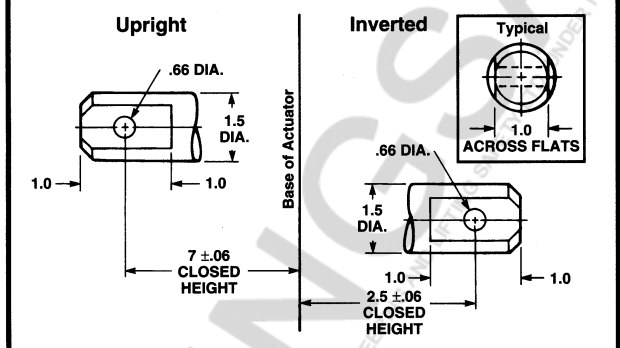
Upright: M-9005



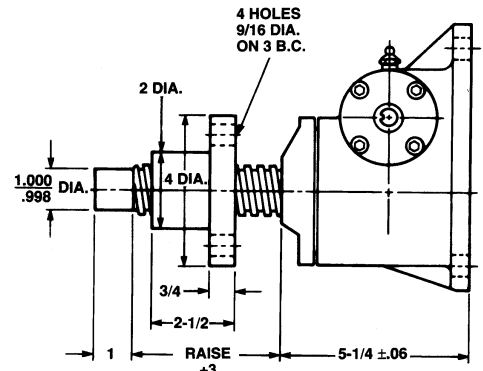
Inverted: M-9004



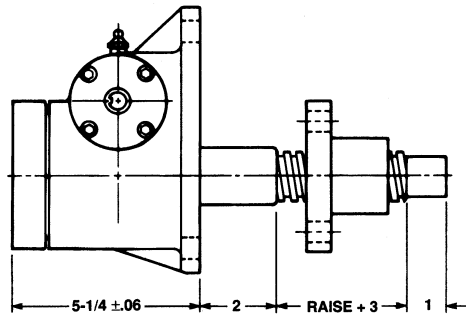
Threaded End



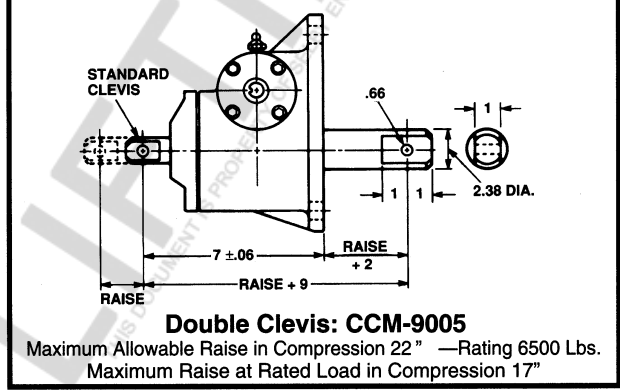
Clevis End



Upright Rotating: UM-9006



Inverted Rotating: DM-9006



Double Clevis: CCM-9005

Maximum Allowable Raise in Compression 22" —Rating 6500 Lbs.
 Maximum Raise at Rated Load in Compression 17"

Note: Lifting screw is not keyed. Top should be secured to a lifting member to prevent rotation. When a Bellows Boot is required, see pages 143-144. Dimensions are subject to change without notice.