



## Tiger Trolley



Geared Trolley



Plain Trolley

### Main Features

- Tiger trolleys are designed to provide smooth and easy traversing
- The anti-drop plates design ensures extra safety, and also prevents damage to wheels when contacting end rail stoppers
- Wheels run on sealed ball bearings for smoother rolling with less effort and maintenance
- Twin bar or single bar trolleys available
- Range from 0.5t to 10.0t
- Geared type available
- Extended beam width available

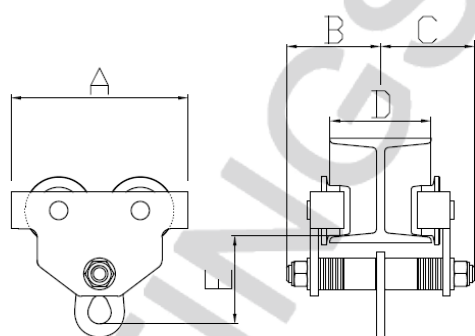


### Single Bar Trolleys

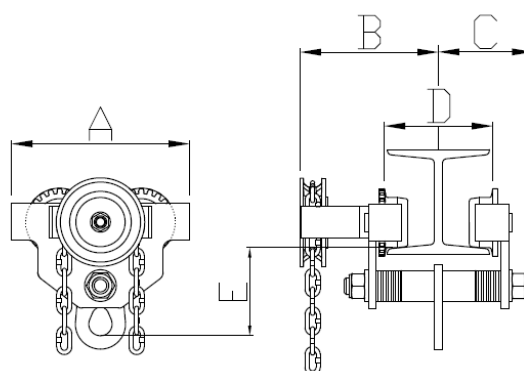
#### Technical Data

Product Code	Capacity (tonne)	D Track width range 1 (mm)	D Track width range 2 (mm)	Test Load (tonne)	Dimensions (mm)			Min. curve ratio (m)	Plain trolley		Geared trolley		
					A	C	E		B (mm)	Mass (kg)	B (mm)	Hand chain length (m)	Mass (kg)
TPS-0050 TGS-0050	0.5	62-128	62-203	0.75	195	106	98	0.8	106	5.0	165	2.5	8.9
TPS-0100 TGS-0100	1.0	62-128	62-203	1.5	213	113	106	1.0	113	7.3	170	2.5	11.1
TPS-0200 TGS-0200	2.0	88-154	88-230	3.0	236	136	132	1.3	136	12.0	182	2.5	16.3
TPS-0300 TGS-0300	3.0	87-153	87-230	4.5	277	146	150	1.5	146	19.0	187	2.5	23.3
TPS-0500 TGS-0500	5.0	106-194	106-305	7.5	323	169	174	1.5	169	30.0	210	2.5	34.3

#### Technical Drawings – Single Bar Trolleys



Plain Single Bar Trolley



Geared Single Bar Trolley

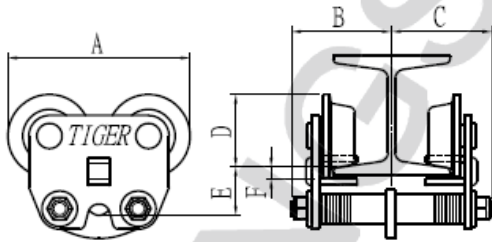


**Twin Bar Trolleys**

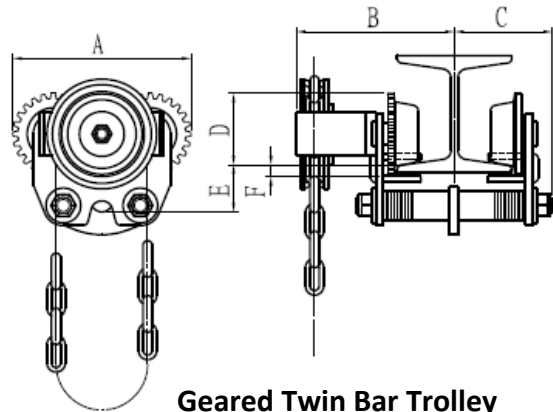
**Technical Data**

Product Code	Capacity (tonne)	Track width range 1 (mm)	Track width range 2 (mm)	Test Load (tonne)	Dimensions (mm)					Min. curve ratio (m)	Plain trolley		Geared trolley		
					A	C	D	E	F		B (mm)	Mass (kg)	B (mm)	Hand chain length (m)	Mass (kg)
TPT-0050 TGT-0050	0.5	62-128	62-203	0.75	179	109	70	49	16	0.8	109	5.9	168	2.5	9.8
TPT-0100 TGT-0100	1.0	62-128	62-203	1.5	195	111	79	50	16	1.0	111	7.9	178	2.5	11.8
TPT-0200 TGT-0200	2.0	88-154	88-230	3.0	235	134	95	70	19	1.3	134	12.7	184	2.5	17
TPT-0300 TGT-0300	3.0	87-153	87-230	4.5	263	145	111	79	19	1.5	145	21.4	184	2.5	25.7
TPS-0500 TGT-0500	5.0	106-194	106-305	7.5	307	169	133	88	27	1.5	169	34.5	206	2.5	39.5
TPT-1000 TGT-1000	10.0	125-310		15.0	429	252	183	240	40	2.7	252	135.5	327	2.5	150.0

**Technical Drawings – Twin Bar Trolleys**



**Plain Twin Bar Trolley**



**Geared Twin Bar Trolley**