



# LIFTINGSAFETY

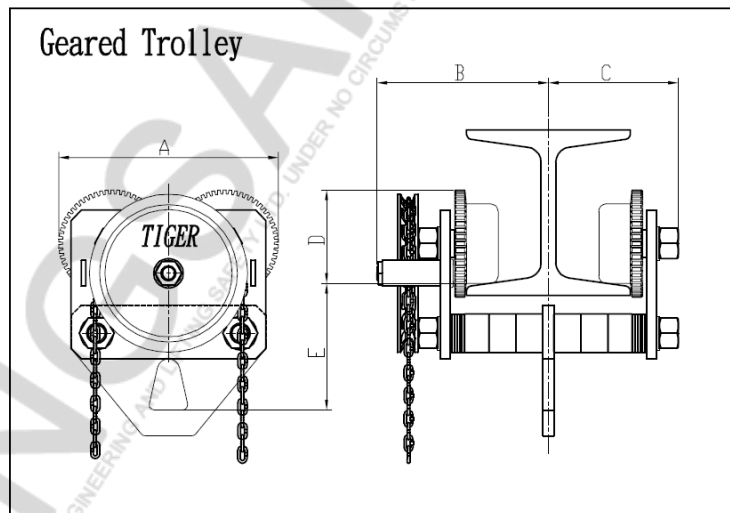
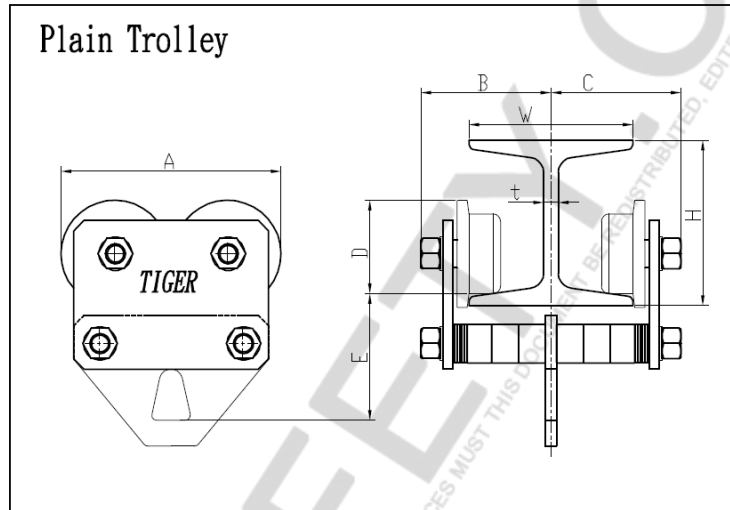
SELBY ENGINEERING AND LIFTING SAFETY LTD

Tel: +44 (0) 1977 684 600 Email: sales@liftingsafety.co.uk

LIFTING EQUIPMENT AND HEIGHT SAFETY SPECIALISTS

## Tiger 10t Trolley

### Technical Drawing



### Technical Data

Product Code	Capacity (tonne)	Track width range 1 (mm)	Test Load (tonne)	Dimensions (mm)					Min. curve ratio (m)	Plain trolley		Geared trolley		
				A	C	D	E	F		B (mm)	Mass (kg)	B (mm)	Hand chain length (m)	Mass (kg)
TPT-1000 TGT-1000	10.0	125-310	15.0	429	252	183	240	40	2.7	252	135.5	327	2.5	150.0

SELBY ENGINEERING AND LIFTING SAFETY LTD. TEL: +44 (0) 1977 684 600  
 THIS DOCUMENT IS PROPERTY OF SELBY ENGINEERING AND LIFTING SAFETY LTD. UNDER NO CIRCUMSTANCES MUST THIS DOCUMENT BE REDISTRIBUTED, EDITED OR USED AS BASIS FOR COMPETITIVE TENDER