

Bottom or Side Container Lifting Eyes - (set x4).

Container Lifting Lugs - Bottom or Side Lifting

- Mounted at the side of the container, upper or lower (up or down).
- ISO Containers (International Organization for Standardization)
- Spring-loaded bolt prevents accidental release.
- Designed for use with a lifting beam.

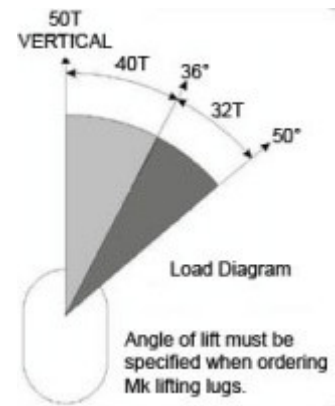
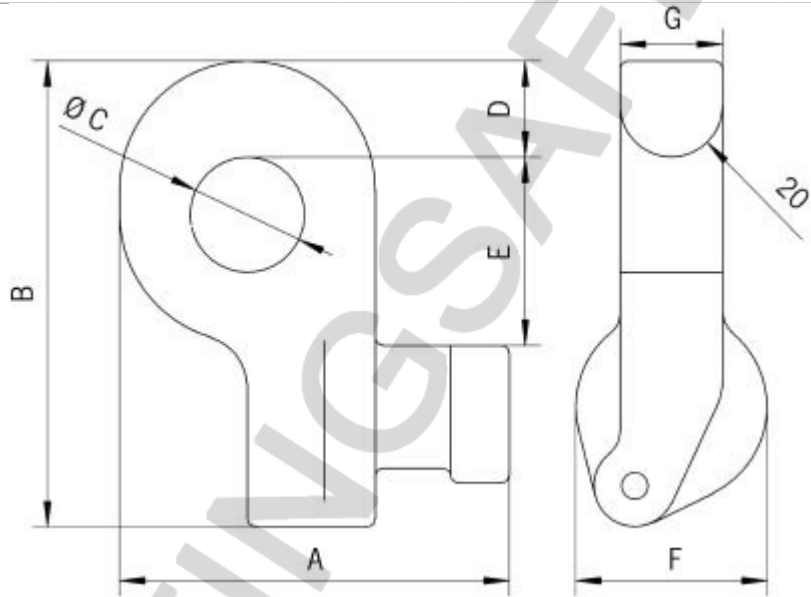


Instructions

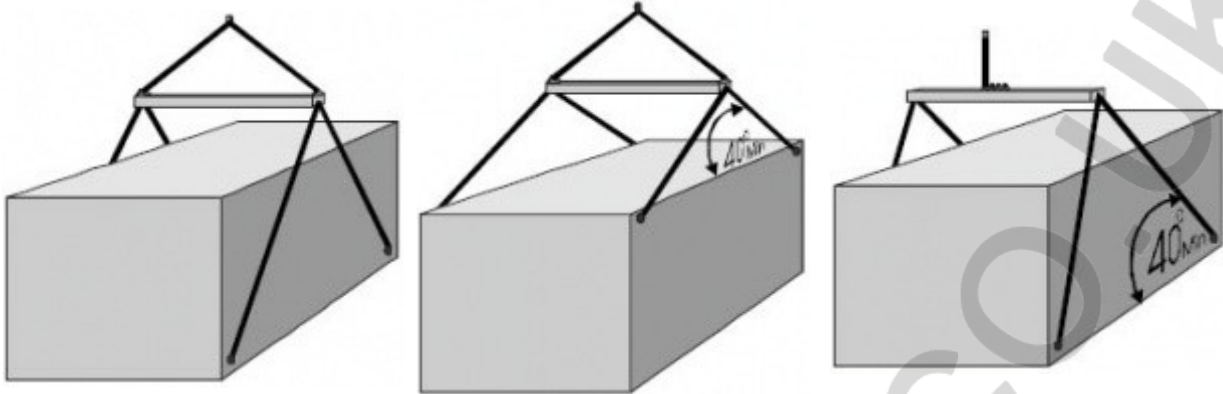
1. Lug is offered up to slot.
2. Lug is entered into slot.
3. Lug is turned to position.
4. Spring bolt is turned until fully engaged.
5. Lug is now in lifting position.

Technical Information

Model	Type of Lift	WLL (set of 4)	Chain Angle	Weight (set of 4)	A (mm)	B (mm)	C (mm)	D (mm)	E (mm)	F (mm)	G (mm)
CLB 32	Side or Bottom Lift	32 tonne	50 deg	18kg	152	181	45 dia.	37	73	75	40
CLB 40	Side or Bottom Lift	40 tonne	36 deg	18kg	152	181	45 dia.	37	73	75	40

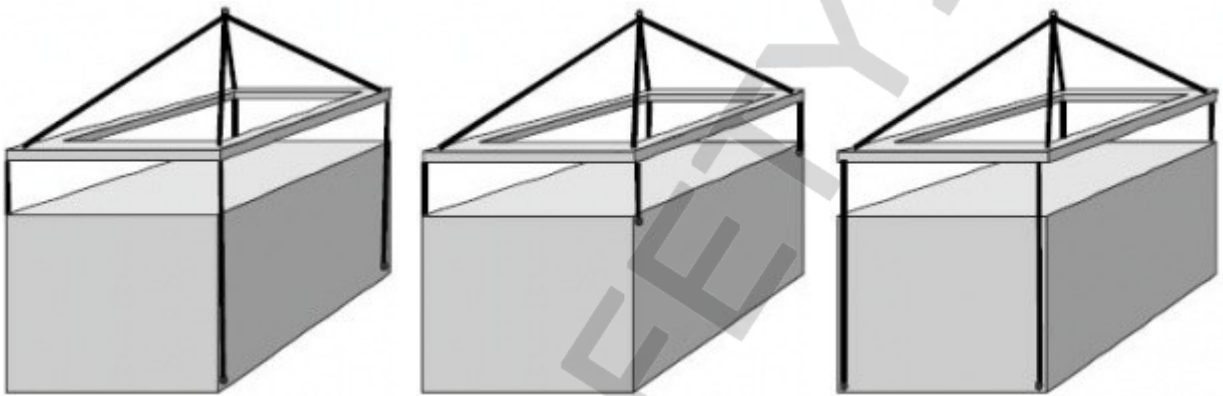


Load Positions



1: Spreader beam adds stability to lift.
 2: CLB Lugs can be used in the top fittings also.

3: Un-symmetrically loaded containers can be handled by using lifting beams and shortening chain slings.



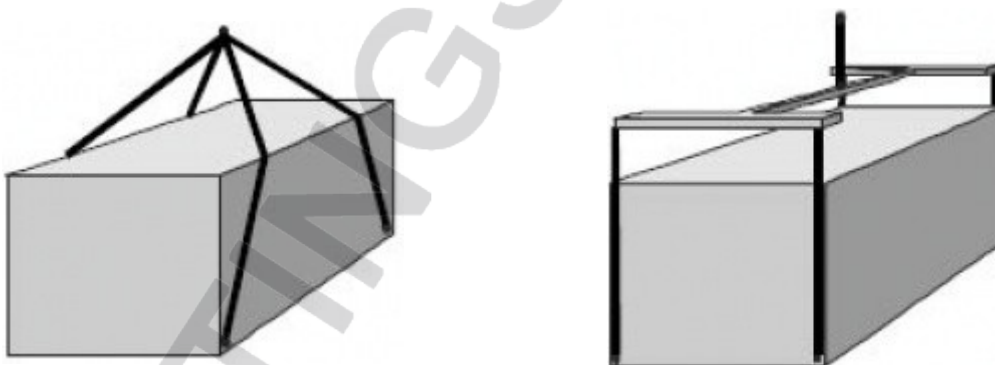
1: bottom side.

2: top side.

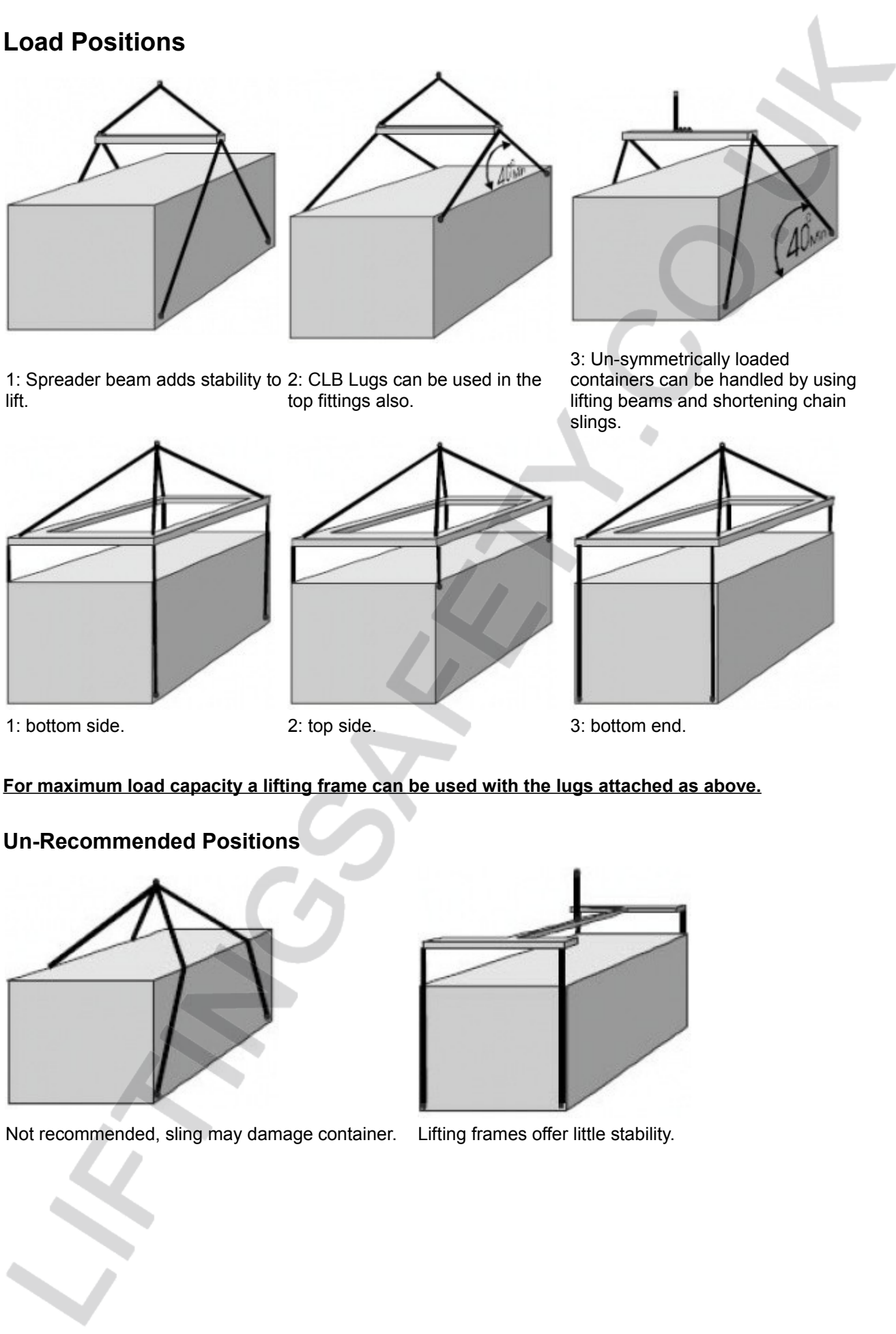
3: bottom end.

For maximum load capacity a lifting frame can be used with the lugs attached as above.

Un-Recommended Positions

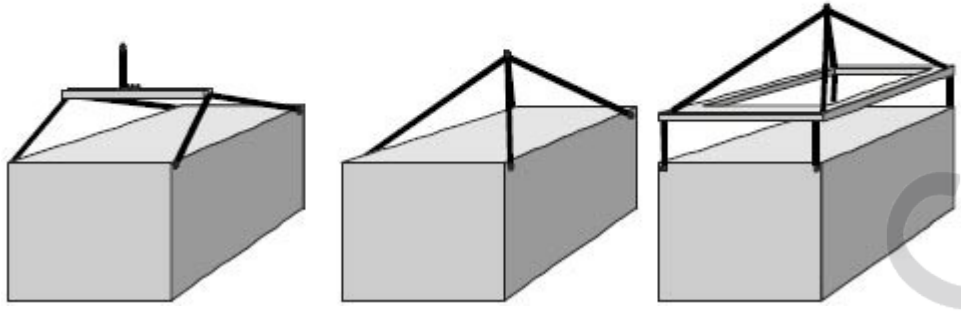


Not recommended, sling may damage container. Lifting frames offer little stability.



Un-Safe Positions

UN-SAFE, DO NOT USE. **X**



LIFTINGSAFETY.CO.UK