

Universal beam clamp

The new and improved IPTKU beam clamp is not your "standard" beam clamp.
It is the new standard.

With an improved hinged hoisting eye that increases the loading angles and an optional new "Double Locking Device", the versatility of the new IPTKU beam clamp makes it perfect for use as a temporary tackle eye for a beam, a lashing clamp or as a lifting clamp.

Available in capacities of 2 thru 10 metric tonnes. Higher capacities are available upon request.
 Also available: IPTKU/D with double locking device.

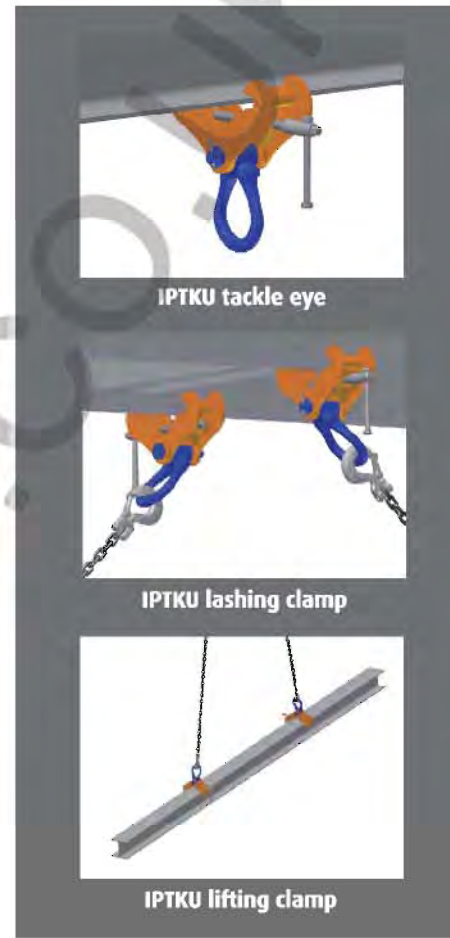
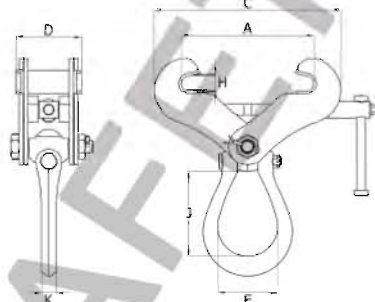
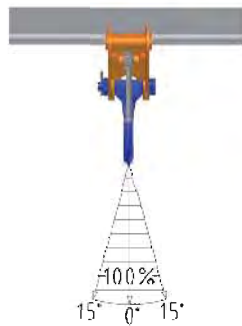
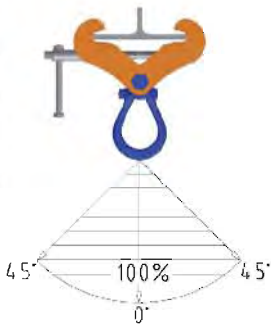
Can also be delivered with a 3.1 certificate.

- Larger and hinged hoisting eye
- Up to 45° side loading & 15° cross loading *
- Hexagon-head handle that allows easy opening and closing with wrench (pneumatic or electrical)
- Double locking device (Optional)
- Frame can be galvanized
- All parts of spindle are replaceable
- Reduced weight
- All sizes are RFID EQUIPPED



Hexagon-head handle for quick opening/closing

Optional double locking



IPTKU tackle eye

IPTKU lashing clamp

IPTKU lifting clamp

* 100% W.L.L. at 45° cross loading can be achieved, provided that special demands regarding flange thickness and fixation are met. Please consult CrosbyIP Engineering Department.

Dimensions in mm.	Model	WLL Each (t)	Stock no.	Weight Each (kg.)	A	C	D	E	H	J	K
	2 IPTKU	2,0	2707996	5,8	75-190	A+ 100	121	76	22	99	19
	3 IPTKU	3,0	2707997	6,5	75-190	A+ 100	121	89	22	122	22
	4 IPTKU	4,0	2707998	9,9	120-280	A+ 150	140	89	40	122	22
	5 IPTKU	5,0	2707994	12,0	120-350	A+ 175	140	89	40	122	22
	10 IPTKU	10,0	2707970	38,0	200-460	A+ 300	200	105	60	152	26
With option: Double locking device											
	2 IPTKU/D	2,0	2709996	5,8	75-190	A+ 100	165	76	22	99	19
	3 IPTKU/D	3,0	2709993	6,5	75-190	A+ 100	165	89	22	122	22
	4 IPTKU/D	4,0	2709995	9,9	120-280	A+ 150	185	89	40	122	22
	5 IPTKU/D	5,0	2709994	12,0	120-350	A+ 175	185	89	40	122	22
	10 IPTKU/D	10,0	2709970	38,0	200-460	A+ 300	250	105	60	152	26

Crosby Europe Offices

BELGIUM
 Industriepark Zone B n°26
 2220 Heist-op-den-Berg
 T: (+32) (0)15 75 71 25
 F: (+32) (0)15 75 37 64
 sales@crosbyeurope.com

FRANCE
 21, rue du Petit Albi
 Parc d'Affaires Silic
 95800 Cergy - St. Christophe
 T: (+33) (0)1 34 201 180
 F: (+33) (0)1 34 201 188
 sales@crosbyeurope.fr

THE NETHERLANDS
 Celsiusstraat 51
 P.O. Box 518
 6710 BM Ede
 T: (+31) (0)318 690 999
 F: (+31) (0)318 690 933
 sales@crosbyeurope.nl

UNITED KINGDOM
 Unit 10, Fall Bank Industrial Estate
 Dodworth, Barnsley
 South Yorkshire S75 3LS
 T: (+44) (0)1226 290 516
 F: (+44) (0)1226 240 118
 sales@crosbyeurope.co.uk