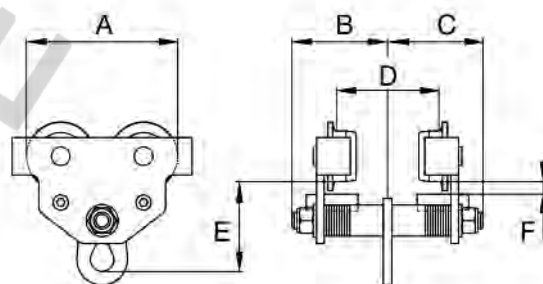
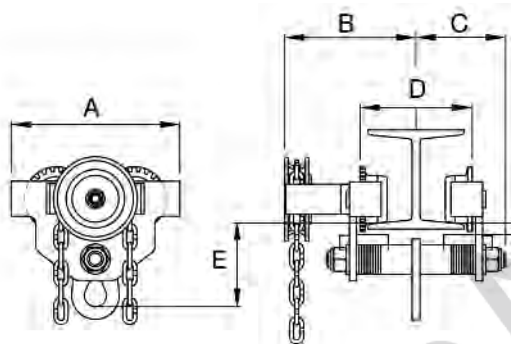


Tiger Trolleys

Geared Trolley



Plain Trolley



- Tiger trolleys are designed to provide smooth and easy traversing
- The anti-drop plates design ensure extra safety and also prevent damage to wheels when contacting end rail stoppers
- Wheels run on sealed ball bearings, making smoother rolling with less effort and maintenance

Capacity (t)	Dimensions (mm)				
	A	B (PT)	B (G.T)	C	E
0.5	244	106	165	106	98
1	266	113	180	113	106
2	292	136	186	136	132
3	344	152	191	152	150
5	394	175	212	175	174
10	429	252	327	252	240

Capacity (tonne)	Test Load (t)	Track Width Range 1 (mm) D	Track Width Range 2 (mm) D	Min. Curve Radius	Plain Trolley Weight		Geared Trolley Weight	
					Mass (kg)	Length of Hand Chain (m)	Mass (kg)	
0.5	0.75	62-128	130 - 203	0.8	5.4	2.5	9.4	
1	1.5	62-128	130 - 203	1.0	7.8	2.5	11.7	
2	3.0	88-154	155 - 230	1.3	12.6	2.5	17.1	
3	4.5	87-153	155 - 230	1.5	19.8	2.5	24.3	
5	7.5	106-194	200 - 305	1.5	31	2.5	35.6	
10	15	125-310	-	2.7	145.5	2.5	162	