

SELBY ENGINEERING AND LIFTING SAFETY LTD. TEL: +44 (0) 1977 684 600



UCL Advanced Wall Mount Sleeve
Model#: 8516191 (Mild Steel) / 8518348 (S.S.)

SPECIFICATIONS
PAGE 1 OF 2

or steel
plating with a CS
hot-dip galvanizing

Application Restrictions:

1. Sleeves are for use with masts & accessories manufactured by Unique Concepts Ltd. **ONLY**.
2. System design factor depends on other system components and the configuration in which they are assembled. The minimum design factor for all standard UCL Safety Systems masts and accessories is 4:1.
3. All welding is to be carried out by qualified personnel.
4. If base material does not meet minimum requirements, reinforcement **MUST BE** added to meet minimum requirements.
5. Each installation **MUST BE** approved to local standards by a qualified engineer.

CERTIFICATION



Requirements(minimum):

Structure and mounting hardware must be capable of withstanding a 90,000 in.-lbs(10000 N.m) moment and a 5000 lbs. (22.2 kN.) vertical load.

Anchors used to mount this base must have an installed minimum pull-out strength of 10000 lb (44.4 KN) and a shear strength of 5000 lb (22.2 KN).

Installation **MUST BE** approved to local regulations by a qualified engineer.

and the
JCL

aded Steel/Stainless Steel
WB-47.1
A-36 Steel Plate/304 S.S
Sch. 40 Pipe/304 S.S
PVC Pipe - ASTM-D-1785
High Density Polyethene
CS-500 Zinc Plated
Brush Blast
ASTM Designation
B633-85, Type III, SC2



Capital Safety USA: 800.328.6146 • Canada: 800.387.7484 • Asia: + 65 6558 7758 •
Australia/New Zealand: 800 245 002 • Europe, Middle East, Africa: +33 (0) 497 10 00 10 •
Northern Europe: +44 (0) 1928 571324
www.capitalsafety.com • info@capitalsafety.com

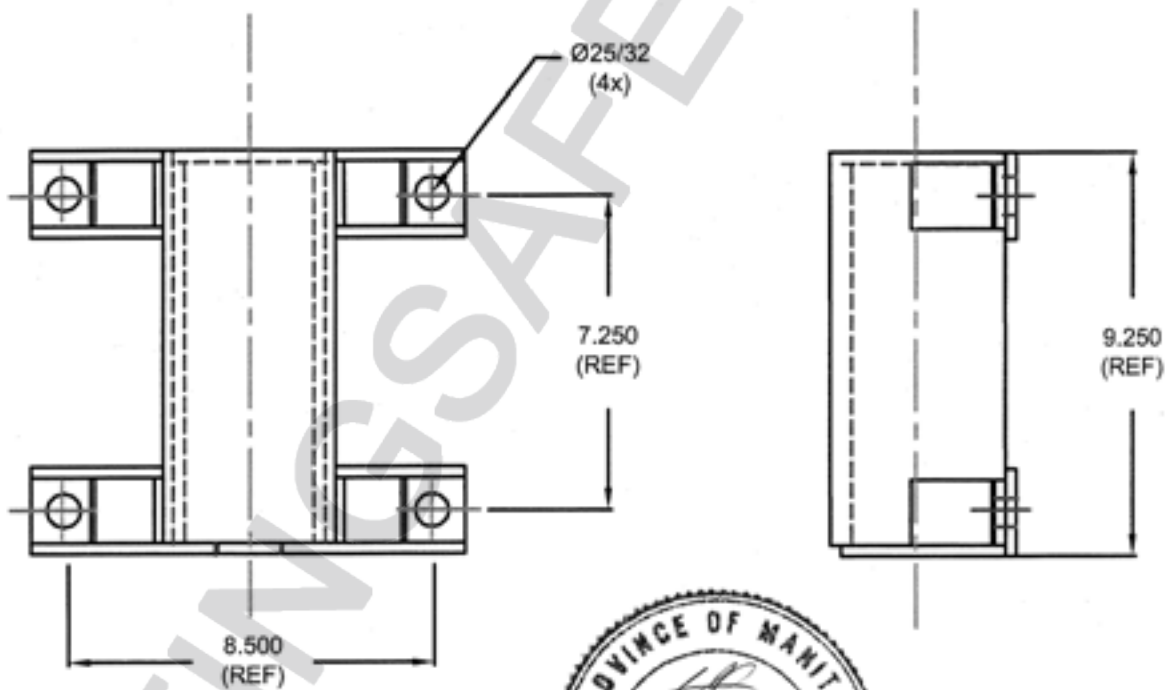
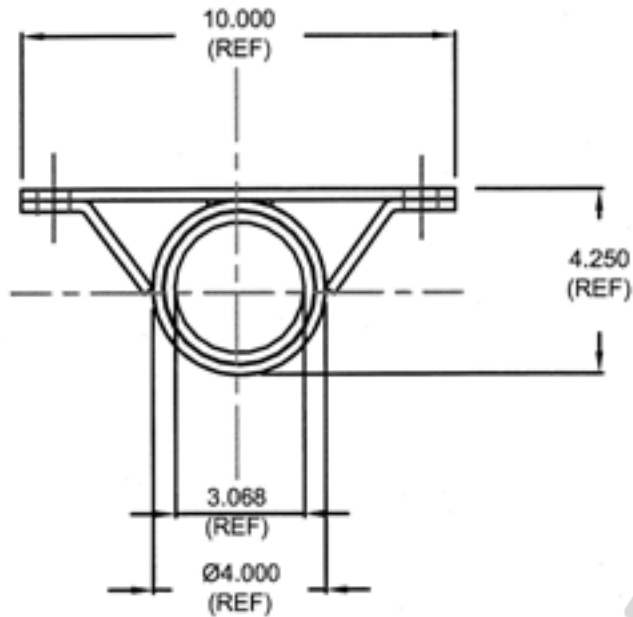
ISO 9001
REGISTERED

SELBY ENGINEERING AND LIFTING SAFETY LTD. TEL: +44 (0) 1977 684 600



UCL Advanced Wall Mount Sleeve
Model#: 8516191 (Mild Steel) / 8518348 (S.S.)

SPECIFICATIONS
PAGE 2 OF 2



Capital Safety USA: 800.328.6146 • Canada: 800.387.7484 • Asia: + 65 6558 7758 •
Australia/New Zealand: 800 245 002 • Europe, Middle East, Africa: +33 (0) 497 10 00 10 •
Northern Europe: +44 (0) 1928 571324
www.capitalsafety.com • info@capitalsafety.com

ISO 9001
REGISTERED