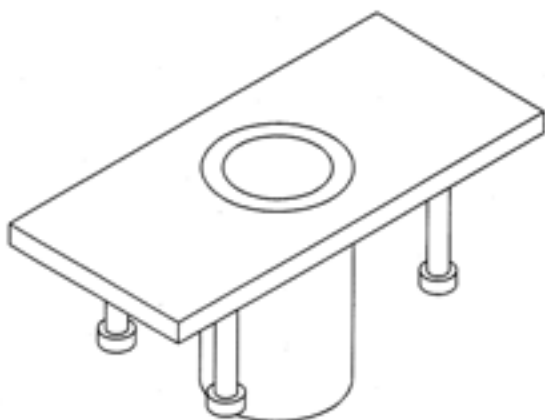




Flush Mount Sleeve

Model#: 8510311 (Mild Steel) / 8512828 (S.S.)

SPECIFICATIONS
PAGE 1 OF 2



Description

Zinc plated mild steel or 304 stainless steel construction. Comes with cast-in-place concrete anchors for new construction or renovation. Flush mount design allows passage of traffic and eliminates trip hazards when not in use. Comes with PVC sleeve liner

General specifications:

Rated Capacity(<i>working load</i>)	450 lbs. (205 Kgs.) @ minimum 4:1 Design Factor (<i>see appl. restriction 2</i>)
Mast Moment Proof Load	90,000 In.-lbs (10,000 N.m)
Mast Rotation	360°
Weight	21 lbs(9.5 Kg)

Note: Sleeves are designed to withstand the proof load rating of all standard UCL Systems masts.

Materials and Construction:

General Construction	Welded Steel/Stainless Steel
Weld Certification	CWB-47.1
Structure Material	A-36 Steel Plate/304 S.S.
Sleeve Material	Sch. 40 Pipe/304 S.S.
Sleeve Bearing Material	PVC Pipe - ASTM-D-1785
Thrust Bearing Material	High Density Polyethene
Finish (<i>Steel Sleeves</i>)	Zinc Plated
Finish (<i>Stainless Steel</i>)	Brush Blast
Plating Specification	ASTM Designation B633-85, Type III, SC2

Mounting Requirements(minimum):

Concrete: thickness 6" (150 mm)

The Structure and mounting hardware must be capable of withstanding a 90,000 in.-lbs(10000 N.m) moment and a 5000 lbs. (2268 Kg.) vertical load. Installation **MUST BE** approved to local regulations by a qualified engineer.

Application Restrictions:

1. Sleeves are for use with masts & accessories manufactured by Unique Concepts Ltd. **ONLY**.
2. System design factor depends on other system components and the configuration in which they are assembled. The minimum design factor for all standard UCL Safety Systems masts and accessories is 4:1.
3. If base material does not meet minimum requirements, reinforcement **MUST BE** added to meet minimum requirements.
4. Each installation **MUST BE** approved to local standards by a qualified engineer.

Certification:



Capital Safety USA: 800.328.6146 • Canada: 800.387.7484 • Asia: + 65 6558 7758 •
Australia/New Zealand: 800 245 002 • Europe, Middle East, Africa: +33 (0) 497 10 00 10 •
Northern Europe: +44 (0) 1928 571324
www.capitalsafety.com • info@capitalsafety.com

ISO 9001
REGISTERED

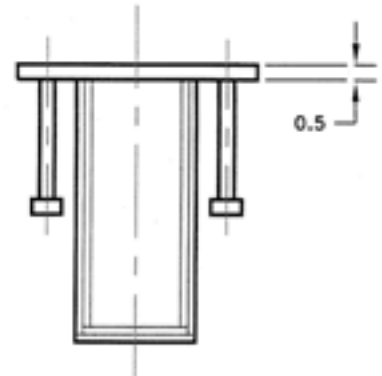
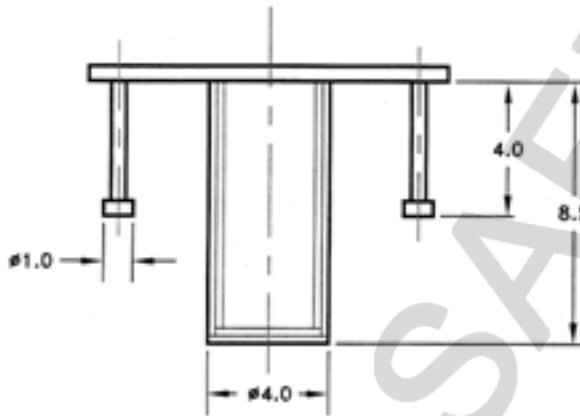
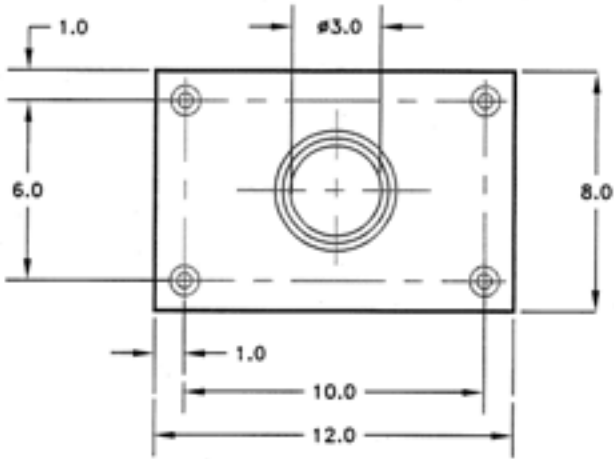
SELBY ENGINEERING AND LIFTING SAFETY LTD. TEL: +44 (0) 1977 684 600



Flush Mount Sleeve

Model#: 8510311 (Mild Steel) / 8512828 (S.S.)

SPECIFICATIONS
PAGE 2 OF 2



Capital Safety USA: 800.328.6146 • Canada: 800.387.7484 • Asia: + 65 6558 7758 •
 Australia/New Zealand: 800 245 002 • Europe, Middle East, Africa: +33 (0) 497 10 00 10 •
 Northern Europe: +44 (0) 1928 571324
www.capitalsafety.com • info@capitalsafety.com

ISO 9001
REGISTERED