

SELBY ENGINEERING AND LIFTING SAFETY LTD. TEL: +44 (0) 1977 684 600



DECK MOUNT SLEEVE

MODEL: 8515162/8515834/8517245

SPECIFICATIONS

PAGE 1 of 2

Model 15162 includes the following

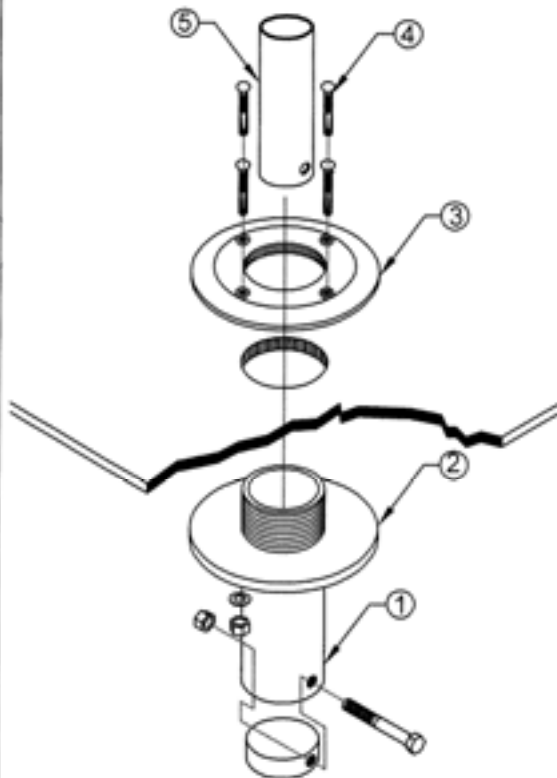
Item	Part #	Qty.	Description
1	N/A	1	Sleeve Tube Assembly
2	N/A	1	Lower Mounting Plate
3	N/A	1	Upper Mounting Plate
4	N/A	4	3/8 N.C. Flat Head Socket Cap Screw
5	N/A	1	Plastic Sleeve
6	N/A	4	5/16" USS Flat Washer
7	N/A	4	3/8 N.C. Nylon Lock Nut
8	15105	1	Plastic Spacer

Description

The Deck Mount Sleeve is designed for permanent installation into steel or other suitable decking material from 1/4" - 2" thick.

Note: Deck thicknesses less than 1/2" (12 mm) require shorter mounting bolts & deck thicknesses in excess of 1 1/2" (38 mm) require longer mounting bolts than are supplied standard. Please contact your local dealer or the manufacture for assistance.

ALL MOUNTING HARDWARE MUST BE PURCHASED FROM YOUR LOCAL DEALER OR UNIQUE CONCEPTS LTD.



General specifications:

Rated Capacity (Working Load Limit)	450 lbs. (205 Kg.)
Proof Load	90,000 in.lbs. (10 KN.m)
Proof Tests	UCT-110, UCT-117
Weight	17 lbs. (7.7 Kg.)

Materials & Construction:

General Construction	Machined Steel/S.S.
Material	Mild Steel/304S.S./316S.S.
Hardware (minimum)	Gr.8 Steel, Zinc Plated/304(18-8)/316S.S.
Finish (Steel)	Zinc CS-500
Plating Specification	Type II, III Zinc SC2 ASTM B633-85

Application Restrictions

1. Minimum deck thickness 1/4" steel, Maximum deck thickness 2".
2. For use with DBI Sala products & accessories **ONLY**.
3. Mounting surface & hardware must be capable of supporting a minimum 90,000 in/lb. (10 Kn.m) moment and a 5000 lb. vertical load.
4. Each installation **MUST BE** approved to local standards by a qualified engineer.

Certification

DRAFT



Capital Safety USA: 800.328.6146 • Canada: 800.387.7484 • Asia: + 852 2992 0381 •
Australia/New Zealand: 800 245 002 • Europe, Middle East, Africa: +33 (0) 497 10 00 10 •
Northern Europe: +44 (0) 1928 571324
www.capitalsafety.com • info@capitalsafety.com

ISO 9001
REGISTERED

SELBY ENGINEERING AND LIFTING SAFETY LTD. TEL: +44 (0) 1977 684 600



DECK MOUNT SLEEVE

MODEL: 8515162/8515834/8517245

SPECIFICATIONS

PAGE 2 of 2

Installation Instructions:

1. Cut $\text{Ø}4 \frac{1}{16}$ " hole through decking surface.
- *2. Thread lower plate on to sleeve tube so that top of lower plate is deck thickness + $\frac{1}{2}$ " from the threaded end of sleeve tube.
3. Install sleeve tube & lower plate from underside of deck. Thread upper plate on to sleeve tube. Tighten using special installation tools (item #13865) or other means.
4. Using a $\text{Ø}13/32$ drill bit & using the holes in the upper plate as a guide, drill 4 holes through the deck and the lower plate.
5. From the top, install the $\frac{3}{8}$ " flat head socket cap screws. Install flat washers & nuts below lower plate and tighten using the appropriate tools.

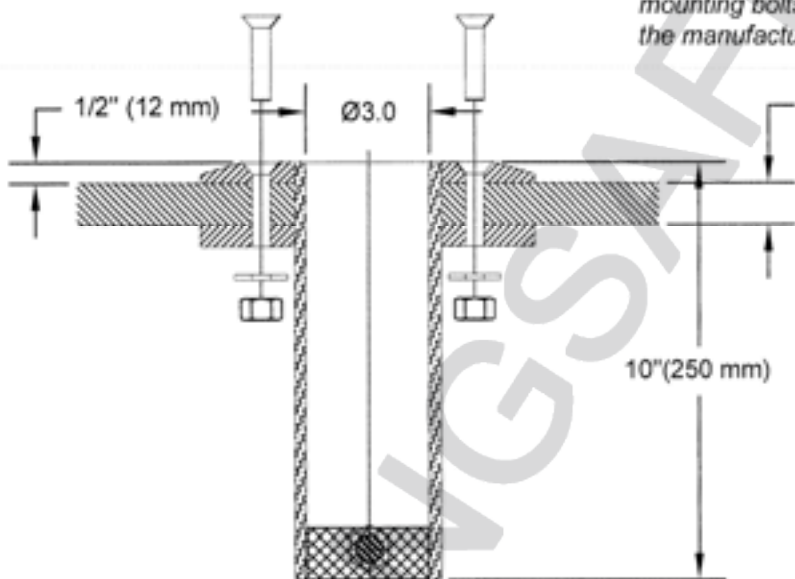
Note: use red (#262 or #271) loctite or equivalent thread locker on all threaded connections.

TOP VIEW



* For deck thicknesses less than $\frac{1}{2}$ " (12 mm) shorter mounting bolts **MUST BE** used.

SIDE VIEW



* For deck thicknesses greater than $1 \frac{1}{2}$ " (39 mm) longer mounting bolts **MUST BE** used. Contact your local dealer or the manufacturer for assistance.

MINIMUM DECK THICKNESS $\frac{1}{4}$ " STEEL
MAXIMUM DECK THICKNESS 2.0" STEEL

ALL MOUNTING HARDWARE MUST BE PURCHASED FROM YOUR LOCAL DEALER OR CAPITAL SAFETY.

DRAFT



Capital Safety USA: 800.328.6146 • Canada: 800.387.7484 • Asia: + 852 2992 0381 •
Australia/New Zealand: 800 245 002 • Europe, Middle East, Africa: +33 (0) 497 10 00 10 •
Northern Europe: +44 (0) 1928 571324

www.capitalsafety.com • info@capitalsafety.com

ISO 9001
REGISTERED