



### Core Mount Sleeve

Model#: 8510109 (Mild Steel) / 8510110 (S.S.)

SPECIFICATIONS  
PAGE 1 OF 2



#### Description

Zinc plated mild steel or 304 stainless steel construction. Designed for slip-in installation into Ø4.0 core hole in concrete or in an existing steel structure. Comes with PVC sleeve liner.

#### General specifications:

Rated Capacity(working load)	450 lbs. (205 Kgs.) @ minimum 4:1 Design Factor (see appl. restriction 2)
Mast Moment Proof Load	90,000 in.-lbs (10,000 N.m)
Mast Rotation	360°
Weight	8 lbs(3.6 Kg)

*Note: Sleeves are designed to withstand the proof load rating of all standard UCL Systems masts.*

#### Materials and Construction:

General Construction	Welded Steel/Stainless Steel
Weld Certification	CWB-47.1
Structure Material	A-36 Steel Plate/304 S.S.
Sleeve Material	Sch. 40 Pipe/304 S.S.
Sleeve Bearing Material	PVC Pipe - ASTM-D-1785
Thrust Bearing Material	High Density Polyethene
Finish (Steel Sleeves)	Zinc Plated
Finish (Stainless Steel)	Brush Blast
Plating Specification	ASTM Designation B633-85, Type III, SC2

#### Mounting Requirements(minimum):

The Structure must be capable of withstanding a 90,000 in.-lbs(10,000 N.m) moment and a 5000 lbs. (2268 Kg.) vertical load. Installation **MUST BE** approved to local regulations by a qualified engineer.

*Note: Concrete MUST BE sufficiently thick or have sufficient underlying structure to support the 5000 lbs. (2268 Kg.) vertical load requirement specified above.*

#### Application Restrictions:

1. Sleeves are for use with masts & accessories manufactured by Unique Concepts Ltd. **ONLY**.
2. System design factor depends on other system components and the configuration in which they are assembled. The minimum design factor for all standard UCL Safety Systems masts and accessories is 4:1.
3. If base material does not meet minimum requirements, reinforcement **MUST BE** added to meet minimum requirements.
4. Where required by regulation, each installation **MUST BE** approved to all applicable standards by a qualified engineer.
5. All equipment **MUST BE** set up and operated under the supervision of a competent person according to the manufacturer's instructions.

#### CERTIFICATION



**Capital Safety** USA: 800.328.6146 • Canada: 800.387.7484 • Asia: + 65 6558 7758 •  
 Australia/New Zealand: 800 245 002 • Europe, Middle East, Africa: +33 (0) 497 10 00 10 •  
 Northern Europe: +44 (0) 1928 571324  
[www.capitalsafety.com](http://www.capitalsafety.com) • [info@capitalsafety.com](mailto:info@capitalsafety.com)

**ISO 9001**  
REGISTERED

SELBY ENGINEERING AND LIFTING SAFETY LTD. TEL: +44 (0) 1977 684 600

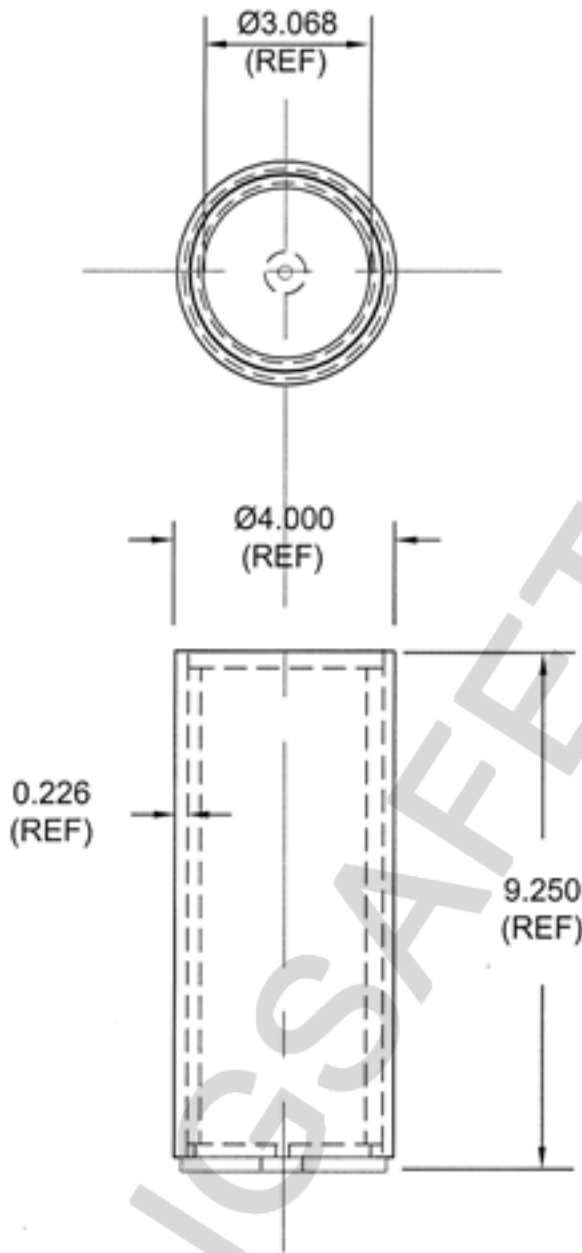
SELBY ENGINEERING AND LIFTING SAFETY LTD. TEL: +44 (0) 1977 684 600



### Core Mount Sleeve

Model#: 8510109 (Mild Steel) / 8510110 (S.S.)

SPECIFICATIONS  
PAGE 2 OF 2



**Capital Safety** USA: 800.328.6146 • Canada: 800.387.7484 • Asia: + 65 6558 7758 •  
 Australia/New Zealand: 800 245 002 • Europe, Middle East, Africa: +33 (0) 497 10 00 10 •  
 Northern Europe: +44 (0) 1928 571324  
[www.capitalsafety.com](http://www.capitalsafety.com) • [info@capitalsafety.com](mailto:info@capitalsafety.com)

**ISO 9001**  
REGISTERED