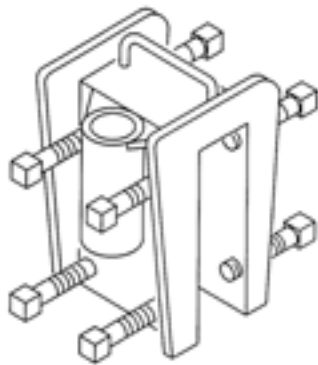




Barrel Mount Sleeve

Model#: 8510323 (Mild Steel) / 8510429 (S.S.)

SPECIFICATIONS
PAGE 1 OF 2



Description

Zinc plated mild steel or 304 stainless steel construction. 3" throat opening with 8 independent clamping screws allows temporary installations over edges of shoring cans, walls and other structures. Comes with PVC liner.

General specifications:

Rated Capacity(working load)	450 lbs. (205 Kgs.) @ minimum 4:1 Design Factor (see application restriction 2)
Mast Moment Proof Load	90,000 In.-lbs (10 KN.-M.)
Proof Tests	UCT-138, UCT-139
Mast Rotation	360°
Weight	58 lbs(26.3 Kg)

Note: Sleeves are designed to withstand the proof load rating of all standard UCL Systems masts.

Materials and Construction:

General Construction	Welded Steel/Stainless Steel
Weld Certification	CWB-47.1
Structure Material	A-36 Steel Plate/304 S.S.
Sleeve Material	Sch. 40 Pipe/304 S.S.
Sleeve Bearing Material	PVC Pipe - ASTM-D-1785
Thrust Bearing Material	High Density Polyethene
Finish (Steel Sleeves)	Zinc Plated
Finish (Stainless Steel)	Brush Blast
Plating Specification	ASTM Designation B633-85, Type III, SC2

Mounting Requirements(minimum):

1. Excessive wall taper can cause the retaining screws to slip. Each installation MUST be certified by the installing engineer. Walls in excess of 1 degree from vertical on either wall must be modified to meet this specification.
2. The structure in the area of the clamp must withstand a moment of 90000 in.-lb (10170N.-M.) without deformation. Each installation MUST be installed to local regulations by a qualified engineer.

Application Restrictions:

1. Sleeves are for use with masts & accessories manufactured by Unique Concepts Ltd. **ONLY**.
2. System design factor depends on other system components and the configuration in which they are assembled. The minimum design factor for all standard UCL Safety Systems masts and accessories is 4:1.
3. If base material does not meet minimum requirements, reinforcement **MUST BE** added to meet minimum requirements.
4. Each installation **MUST BE** approved to local standards by a qualified engineer.

CERTIFICATION



Capital Safety USA: 800.328.6146 • Canada: 800.387.7484 • Asia: + 65 6558 7758 •
Australia/New Zealand: 800 245 002 • Europe, Middle East, Africa: +33 (0) 497 10 00 10 •
Northern Europe: +44 (0) 1928 571324
www.capitalsafety.com • info@capitalsafety.com

ISO 9001
REGISTERED

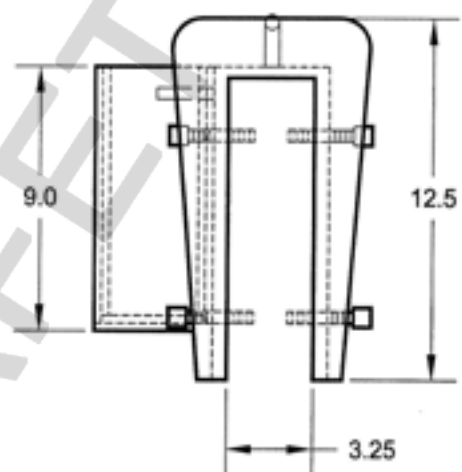
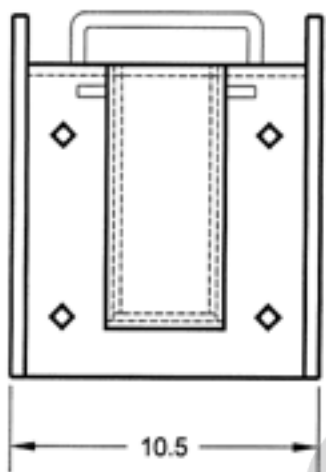
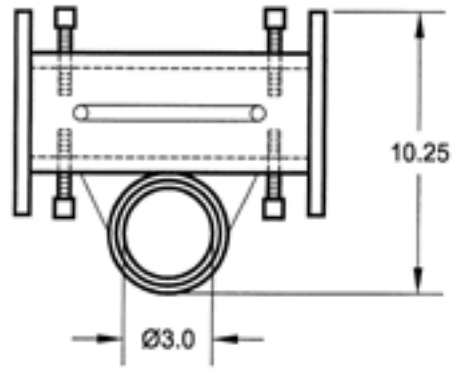
SELBY ENGINEERING AND LIFTING SAFETY LTD. TEL: +44 (0) 1977 684 600

SELBY ENGINEERING AND LIFTING SAFETY LTD. TEL: +44 (0) 1977 684 600



Barrel Mount Sleeve
Model#: 8510323 (Mild Steel) / 8510429 (S.S.)

SPECIFICATIONS
PAGE 2 OF 2



Capital Safety USA: 800.328.6146 • Canada: 800.387.7484 • Asia: + 65 6558 7758 •
 Australia/New Zealand: 800 245 002 • Europe, Middle East, Africa: +33 (0) 497 10 00 10 •
 Northern Europe: +44 (0) 1928 571324
www.capitalsafety.com • info@capitalsafety.com

ISO 9001
REGISTERED