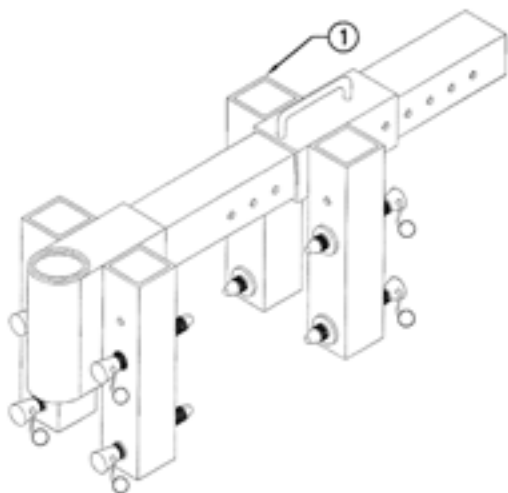




**Adjustable Barrel Mounting Sleeve**  
Model#: 8512285



**Model 8512285 includes the following**

Item	Part no.	Description
1	8512285	Adjustable Barrel Mt. Sleeve

**DESCRIPTION**

The Adjustable Barrel Mounting Sleeve is designed for shoring, wall & parapet applications where frequent setup over varying wall thicknesses is required. Standard unit accommodates wall thicknesses up to a Maximum of 24", with shorter or longer inserts available upon request. Anodized, welded aluminum with zinc plated steel hardware for lightweight durability. Comes with PVC sleeve liner.

**General Specifications:**

Rated Capacity( <i>working load</i> )	450 lbs. (205 Kgs.) @ minimum 4:1 Design Factor (see appl. restriction 2)
Mast Moment Proof Load	90.000 In.-lbs (10 KN.-M.)
Proof Tests	Uct-132
Mast Rotation	360°
Weight	56 lbs(25.5 Kg)

*Note: Sleeves are designed to withstand the proof load rating of all standard UCL Systems masts.*

**Materials and Construction:**

General Construction	Welded Aluminum
Weld Certification	CWB-47.2
Base Material	6061-T6 Aluminum
Sleeve Material	C.R. Steel
Sleeve Bearing Material	PVC Pipe - ASTM-D-1785
Thrust Bearing Material	High Density Polyethene
Mounting Hardware	Gr. 5 / Zinc plated
Finish	Anodized / Zinc Plated
Plating Specification	Type II, III Zinc, SC-2 ASTM B633-85
Anodizing Specification	Type II, Class 1 MIL-A-8625B

**Mounting Requirements(minimum):**

- Steel Drums / Bulkheads  
Thickness 1/2" to 24" (13 mm to 610 mm)
- Excessive wall taper can cause the retaining screws to slip. Each installation **MUST** be certified by the installing engineer. Walls in excess of 1 degree from vertical on either wall must be modified to meet this specification.
- The structure in the area of the clamp **MUST** withstand a moment of 90,000 in. lb (10170N.-M.) without deformation. Each installation **MUST** be certified by the installing engineer.

**Application Restrictions:**

- Sleeves are for use with masts & accessories manufactured by Unique Concepts Ltd. **ONLY**.
- System design factor depends on other system components and the configuration in which they are assembled. The minimum design factor for all standard UCL Safety Systems masts and accessories is 4:1.
- If base material does not meet minimum requirements, reinforcement **MUST BE** added to meet minimum requirements.
- Each installation **MUST BE** approved to local standards by a qualified engineer.

**CERTIFICATION**



**Capital Safety** USA: 800.328.6146 • Canada: 800.387.7484 • Asia: + 65 6558 7758 •  
Australia/New Zealand: 800 245 002 • Europe, Middle East, Africa: +33 (0) 497 10 00 10 •  
Northern Europe: +44 (0) 1928 571324  
[www.capitalsafety.com](http://www.capitalsafety.com) • [info@capitalsafety.com](mailto:info@capitalsafety.com)

**ISO 9001**  
REGISTERED

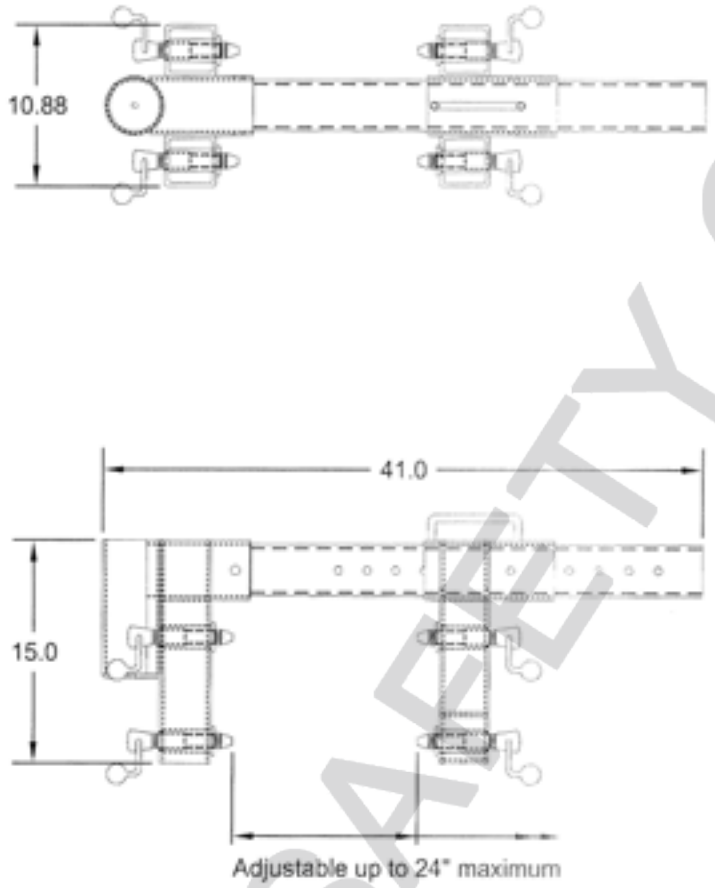
SELBY ENGINEERING AND LIFTING SAFETY LTD. TEL: +44 (0) 1977 684 600

SELBY ENGINEERING AND LIFTING SAFETY LTD. TEL: +44 (0) 1977 684 600



**Adjustable Barrel Mounting Sleeve**  
Model#: 8512285

**SPECIFICATIONS**  
PAGE 2 OF 2



**Capital Safety** USA: 800.328.6146 • Canada: 800.387.7484 • Asia: + 65 6558 7758 •  
 Australia/New Zealand: 800 245 002 • Europe, Middle East, Africa: +33 (0) 497 10 00 10 •  
 Northern Europe: +44 (0) 1928 571324  
[www.capitalsafety.com](http://www.capitalsafety.com) • [info@capitalsafety.com](mailto:info@capitalsafety.com)

**ISO 9001**  
REGISTERED