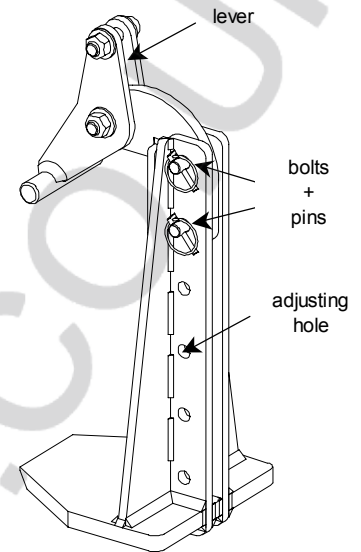
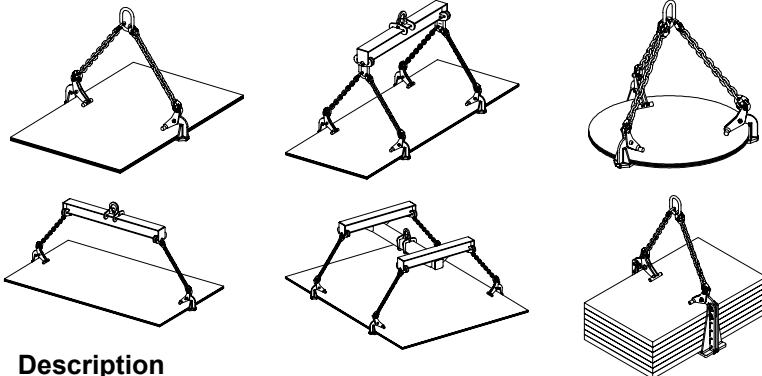


Applications

Lifting of horizontal plates or sheets (individual or bundles), circular plates or fabricated assemblies.


Description

Accessories equipped with a tip up lever ensuring the clamping of the load.
 The clamp's opening increment is 60 mm.
 Slings not provided.

Functioning

Use in pairs for lifting plates or sheets, individual or in bundles:

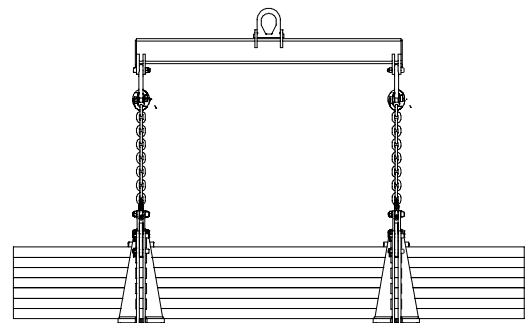
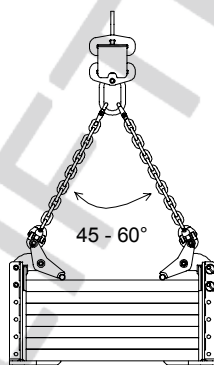
- 1 pair with a 2-legged sling
- several pairs with 2-legged slings and lifting beam.

Use in 3s with a 3-legged sling for lifting round sheets.

Before use, check the clamp's opening. To adjust it, take the pins and the bolts out of the lever, then adjust it. Once the opening is adjusted, fit the load into the clamps, making sure they are evenly distributed onto the piece to be lifted. Lifting ensures the clamps' closing. Clamping is proportional to the load's weight, thus avoiding an excessive marking.

Particular instructions

- The plate or piece to be lifted must always be driven home into the throat of the clamp.
- The load must be rigid enough not to bend during handling operations.
- Adhere to the recommended sling angles.
- If the sling angle exceeds 60° , use a clamp with a higher WLL according to the tension increase in the sling's leg.
- Line up the slings in the same plane as the clamps.
- Make sure the lever presses down onto the top of the load. If not, move the lever one or several holes along to do so.
- Working temperature: -20° to $+100^\circ\text{C}$.



technical sheet	TLR adjustable clamp for horizontal plates	ref. : T 6017 GB rev. : 2 date : Jun. 03 page : 2 / 2
------------------------	-------------------------------------------------------------	--------------------------------------------------------------------------------------------

General characteristics

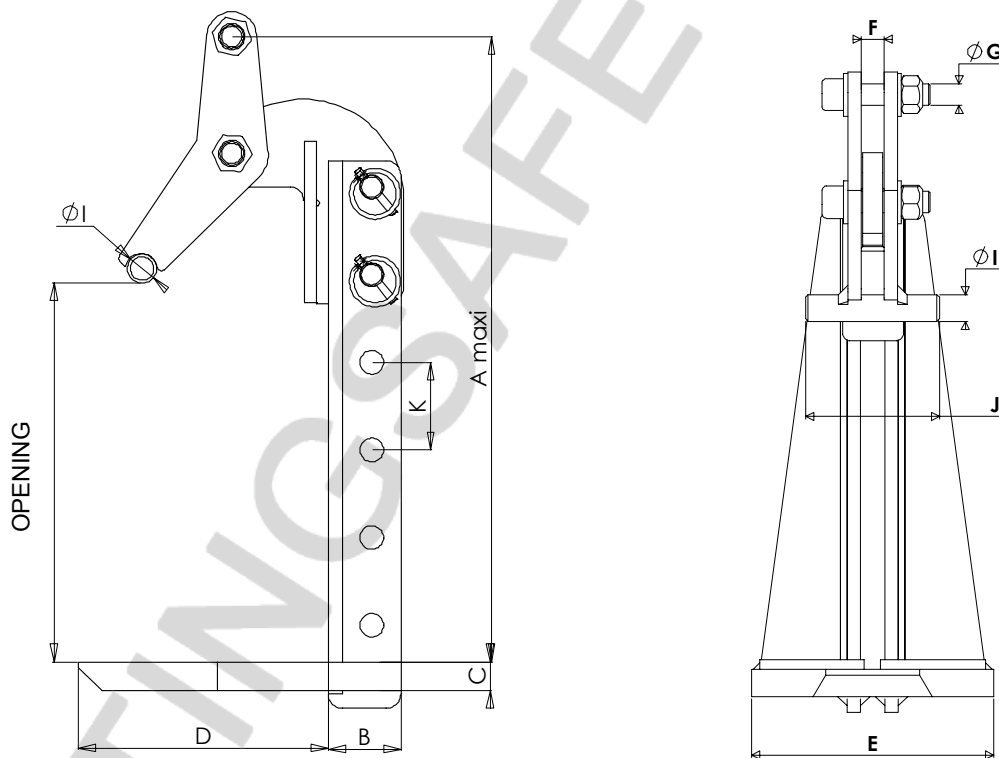
- Hot epoxy coating.
- Safety factor: 4 in accordance with the European Materials Handling Federation (1998 FEM 3rd edition) ; working group FEM A5 and lifting speed 60 m/ mn.

Dimensional characteristics

Ref.	Group code	WLL/ pair kg	Opening		A	B	C	D	E	F	G	I	J	K	Sling angle		Min chain* ∅	Weight/ pair kg
			min	max											min	max		
TLR2 0-300	51158	2 000	0	300	414	45	15	132	180	14	12	20	100	60	45°	60°	8	19
TLR3 0-300	51168	3 000	0	300	428	50	20	171	180	18	16	20	100	60	45°	60°	10	27
TLR5 0-300	51178	5 000	0	300	440	80	25	146	200	22	16	24	130	60	45°	60°	13	42,5
TLR10 0-300	51188	10 000	0	300	464	80	30	117	170	32	24	40	120	60	45°	60°	16	52

* provide a 2-legged chain sling grade 80 per pair of clamps, imperatively assembled onto a coupling at the end of each leg.

Dimensions in mm



Options on request

- Polyurethane coating on the clamps' upright, bearing plate and lever.
- Chain/ cable slings.