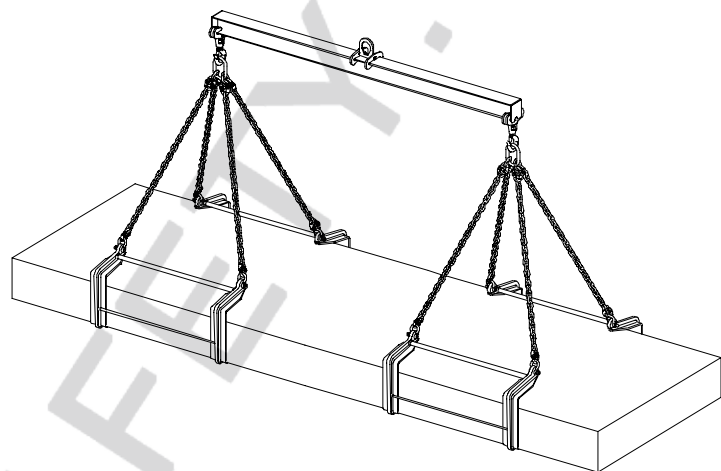
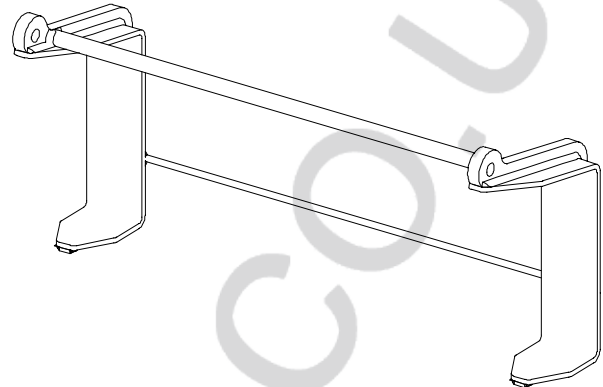
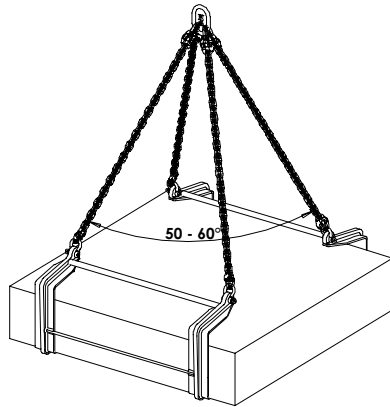


Applications

Lifting of horizontal plates or sheets (individual or bundles).



Description

These double hooks avoid the use of a lifting beam. Their large bearing surface permits to reduce plate bending. Handling loads up to 300 mm thickness is possible thanks to the wide opening. Slings not provided.

Functioning

Use in pairs with a 4-legged sling.

Place the load into the hooks, distributing the latters evenly and perform lifting.

Particular instructions

- The load must always be driven home into the throat of the hooks.
- Adhere to a sling angle included between 50° and 60° (ie ½ sling angle included between 25° and 30°).
- Do not separate sheets with the hooks' end.
- According to the load's length and weight, provide 1 or more pair(s) of hooks to perform lifting.
- Working temperatures: -20° to +100°C.

technical sheet	QR	ref. : T 6020 GB
	double hooks for horizontal plate lifting	rev. : 2
		date : Jun. 03
		page : 2 / 2

General characteristics

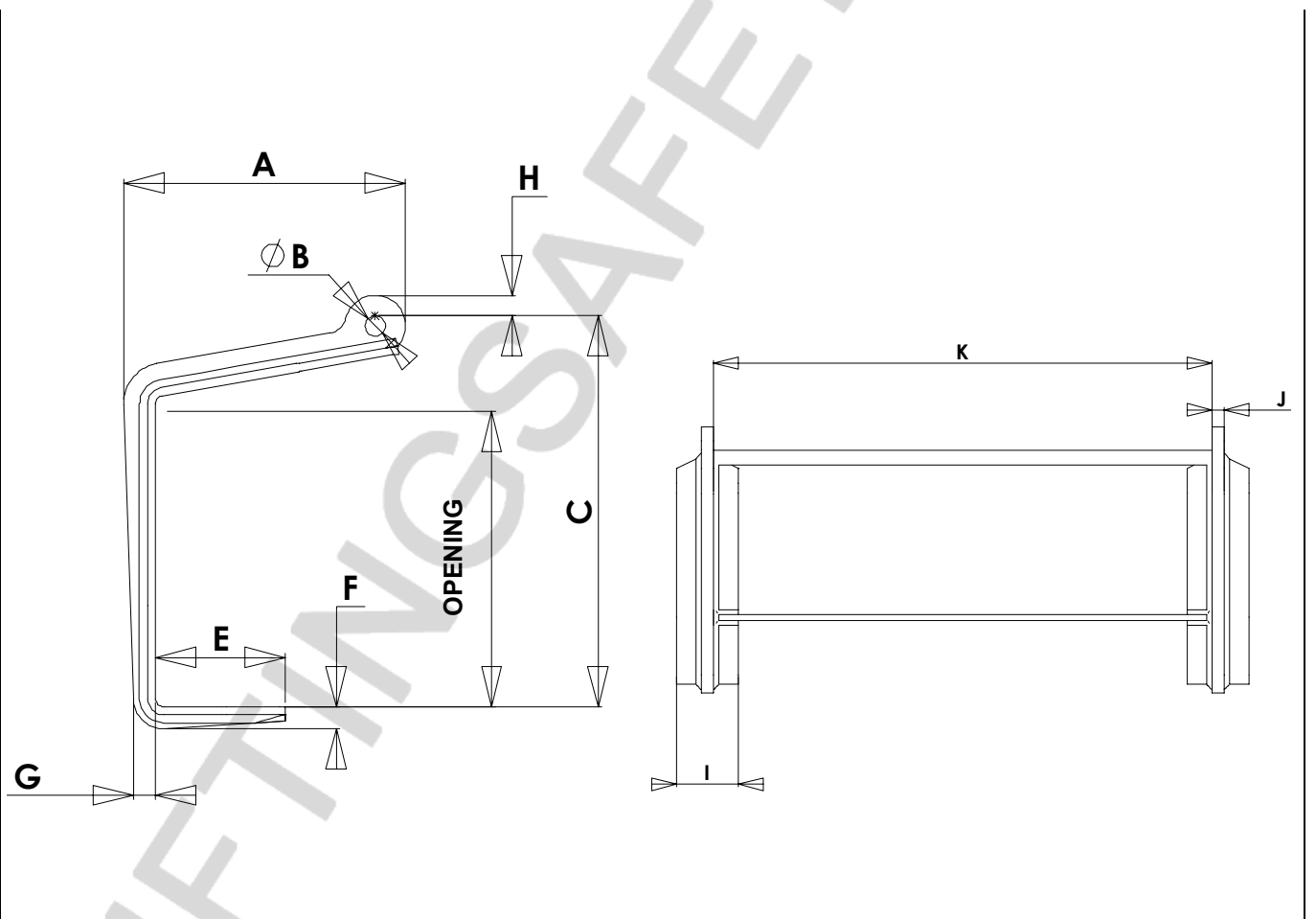
- Manufacture without load bearing welds.
- Hot epoxy coating.
- Safety factor: 4 in accordance with the European Materials Handling Federation (1998 FEM 3rd edition) ; working group A5 and lifting speed 60 m/ mn.

Dimensional characteristics

Ref.	Group code	WLL/ pair kg	Opening		A	B	C	E	F	G	H	I	J	K	Sling angle		Min chain* ∅	Weight/ pair kg
			min	max											min	max		
QR3 0-300	50648	3 000	0	300	279	20	387	128	22	22	20	100	20	800	50°	60°	8	33
QR6 0-300	50658	6 000	0	300	305	20	410	120	40	40	20	100	20	800	50°	60°	10	46
QR12 0-300	50668	12 000	0	300	380	20	410	120	50	50	26	100	25	800	50°	60°	16	115

* provide a 4-legged chain sling grade 80 per pair of hooks

Dimensions in mm



Options on request

- Chain/ cable slings.