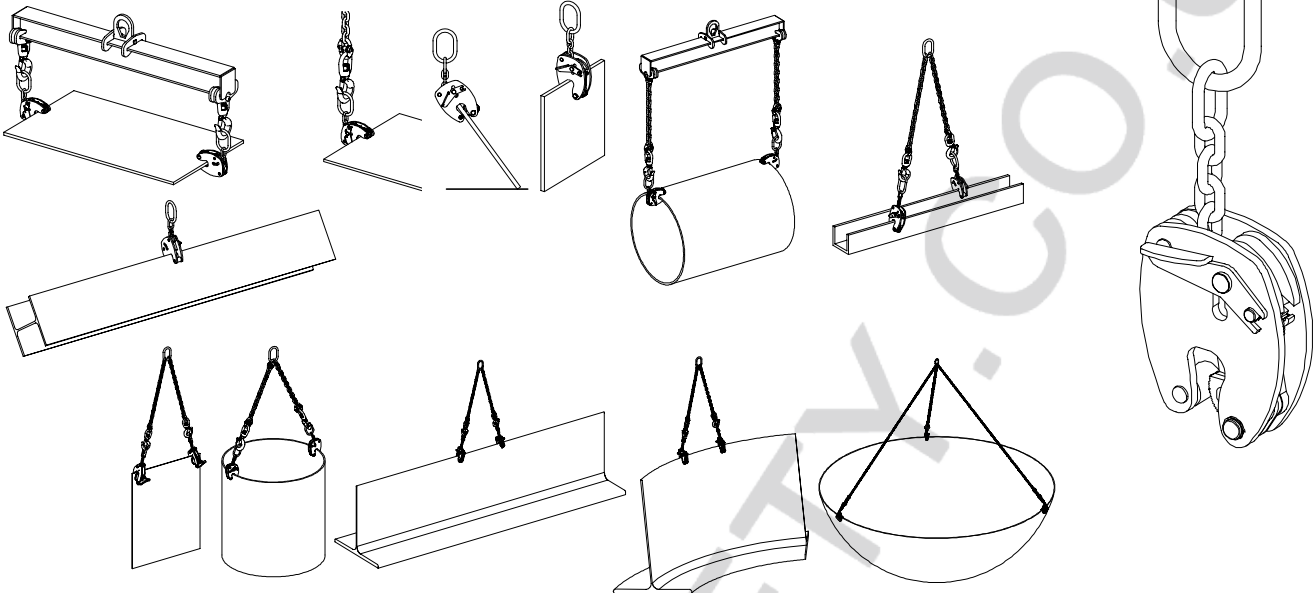


**Applications**

Lifting and revolving of plates, profiles, fabricated assemblies, steel frames ...



**Description**

Clamps fitted with a safety spring mechanism for a permanent contact of the cam onto the piece to be lifted, even when it is being put down. The locking lever does not stick out so that the clamp may be used on the bare ground. The chain enables the revolving and makes the clamp's positioning easier. The corrugated cam only marks one side of the load.

**Functioning**

So as to open the clamp's cam, push the locking lever downwards. The locking appears automatic when the lever is being freed. The clamp's corrugated cam penetrates into the load's material. Lifting ensures proportional clamping, thus avoiding marking the load excessively. Loads may be grasped horizontally or vertically and revolved in inverse position (90 or 180°).

*Remark concerning 1, 2 and 3 t models:*

Keeping the cam open is possible by pushing the locking lever down against the clamp's body, until the lever retainer pin is activated in its housing on the clamp's flange. To release, slightly pull the lever outwards so as to disengage the lever's pin from its housing.

**Particular instructions**

- Do not use for fragile loads.
- Using a KS marks the load.
- The plate or piece to be lifted must always be driven home into the throat of the clamp.
- Load maximum surface hardness: 300 HB and minimum tensile strength 20 daN/ mm<sup>2</sup>.
- Some stainless steels are particularly abrasive ; closely check the condition of the cam's teeth in this case.
- For safety's sake, ensure the clamps are always unlocked when not in use (cam closed).
- Never lift more than one plate at a time.
- Apply the downgradation if necessary.
- Working temperature: -20° to +100°C.

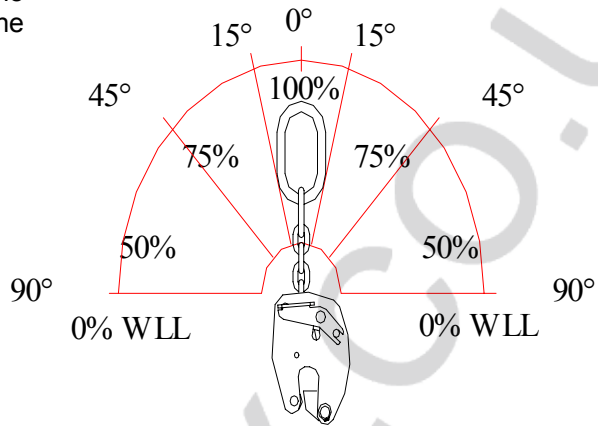
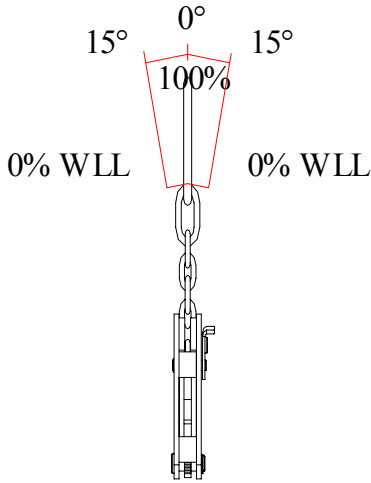
**technical sheet**

**KS**

**multiposition plate clamps**

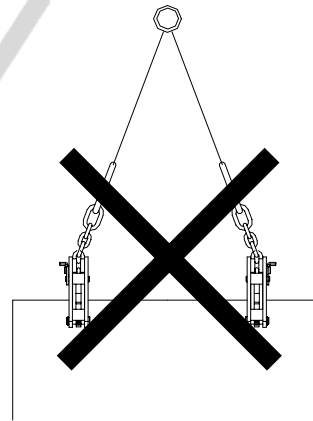
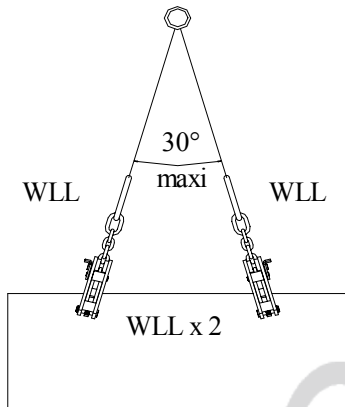
ref. : **T 6012 GB**  
 rev. : **2**  
 date : **Jun. 03**  
 page : **2 / 3**

- *Lifting function:* never exceed the allowable 15° angle between the chain and the flanges' plane.

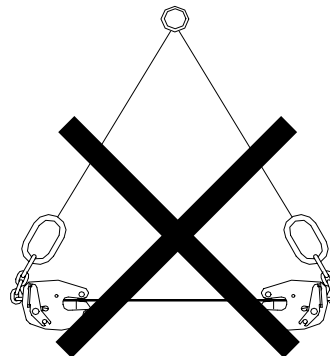
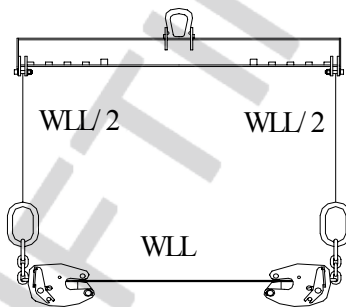


- *Turning function:* for this application, the clamp's working load limit is divided by 2.

- *Function lifting of loads in a vertical position with 2 clamps and no lifting beam:* do not exceed the 30° sling angle.



- *Function lifting of loads in an horizontal position using 2 clamps at least and a lifting beam:* the working load limit of each clamp is divided by 2.



**technical sheet**

**KS**

**multiposition plate clamps**

ref. : **T 6012 GB**  
 rev. : **2**  
 date : **Jun. 03**  
 page : **3/ 3**

**General characteristics**

- Manufacture without load bearing welds.
- Hot epoxy coating.
- Safety factor: 4 in accordance with the European Materials Handling Federation (FEM 3<sup>rd</sup> edition 1998) ; working group following FEM A5 and lifting speed 60 m/ mn.

**Dimensional characteristics**

Ref.	Group code	WLL kg	Opening		A	B	C	D	E	F	G	Ring Ø	J	K	L	Chain Ø	Weight kg
			min	max													
KS075 0-15	50238	750	0	15	300	129	97	45	39	80	40	10	12	34	53	6	1,7
KS1 0-20	50248	1 000	0	20	426	173	128	60	49	110	60	13	16	43	67	7	3,8
KS2 0-25	50258	2 000	0	25	485	218	161	75	62	110	60	16	19	47	79	8	6,4
KS3 0-30	50268	3 000	0	30	595	260	205	94	85	135	75	18	28	58	96	10	12

Dimensions in mm

