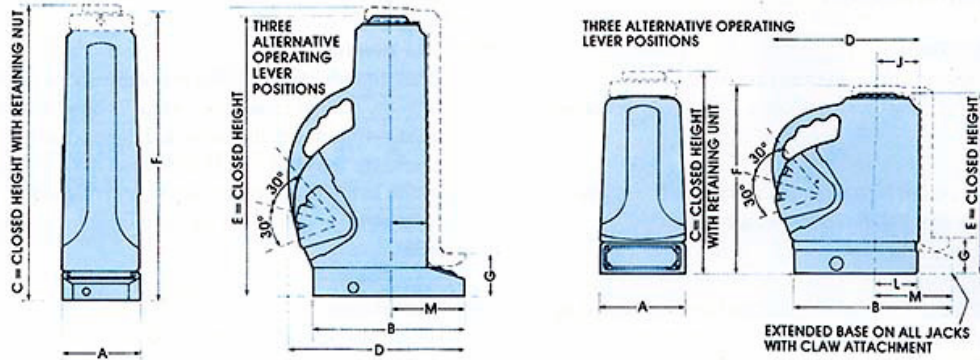


TECHNICAL INFORMATION – HYDRALITE 20 TONNE



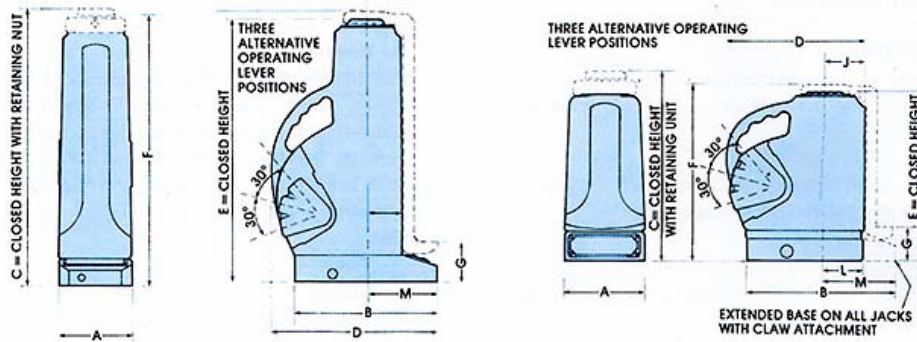
Capacity (tonne)	20	20
Stroke (mm)	152	305
Dimensions (mm)		
A	121	121
B1	178	
B	246	246
C	289	464
D	214	289
E	263	438
F	276	452
G	67	67
J	60	60
L	57	
M	125	125
Specifications		
Claw Capacity (tonne)	8	8
Ram Diameter (mm)	60	60
Jack Weight (kgs)	10.9	16.7
Claw Weight (kgs)	3.6	5.5
Max effort on Lever (kgs)	54	54
Lift / Stroke (mm)	1.1	1.1
Oil Capacity (litres)	0.64	1.14

Code	Description	List Price
PS620	Plain	£639.00
PS620S	Screwed Ram	£820.00
PS620C	Claw Attachment	£803.00
PS1220	Plain (with claw base)	£855.00
PS1220S	Screwed Ram (with claw base)	£1040.00
PS1220C	Claw Attachment	£1009.00

All prices quoted are excluding VAT



TECHNICAL INFORMATION – HYDRALITE 30 TONNE



Capacity (tonne)	30	30
Stroke (mm)	152	305
Dimensions (mm)		
A	140	140
B1	197	
B	273	273
C	292	479
D	235	311
E	263	451
F	281	470
G	73	73
J	70	70
L	67	
M	143	143

Specifications

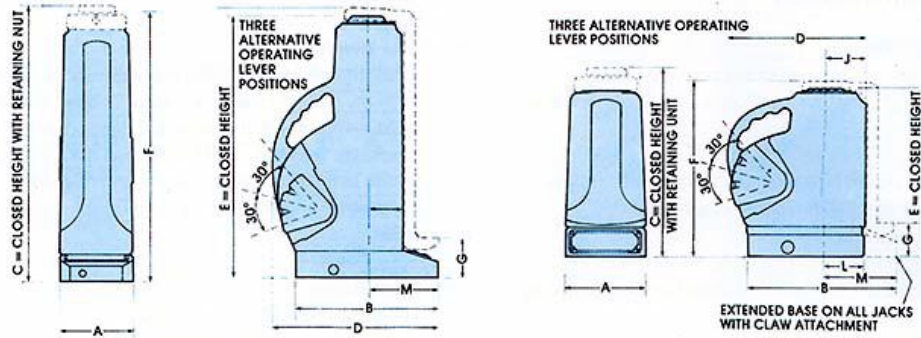
Claw Capacity (tonne)	12	12
Ram Diameter (mm)	76	76
Jack Weight (kgs)	15.4	23.4
Claw Weight (kgs)	4.9	7.6
Max effort on Lever (kgs)	52	52
Lift / Stroke (mm)	0.7	0.7
Oil Capacity (litres)	0.88	1.71

Code	Description	List Price
PS630	Plain	£724.00
PS630S	Screwed Ram	£1008.00
PS630C	Claw Attachment	£952.00
PS1230	Plain (with claw base)	£1109.00
PS1230S	Screwed Ram (with claw base)	£1318.00
PS1230C	Claw Attachment	£1292.00

All prices quoted are excluding VAT



TECHNICAL INFORMATION – HYDRALITE 40 TONNE



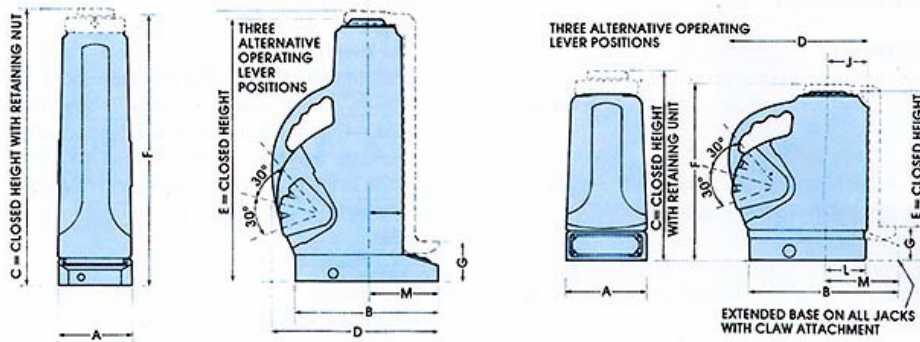
Capacity (tonne)	40
Stroke (mm)	457
Dimensions (mm)	
A	190
B1	
B	324
C	718
D	378
E	686
F	711
G	63
J	79
L	
M	178
Specifications	
Claw Capacity (tonne)	16
Ram Diameter (mm)	89
Jack Weight (kgs)	47.7
Claw Weight (kgs)	16.2
Max effort on Lever (kgs)	50
Lift / Stroke (mm)	0.5
Oil Capacity (litres)	3.7

Order Code	Description	Price
PS1840	Plain	P.O.A
PS1840S	Screwed Ram	P.O.A
PS1840C	Claw Attachment	P.O.A

All prices quoted are excluding VAT



TECHNICAL INFORMATION – HYDRALITE 60 TONNE



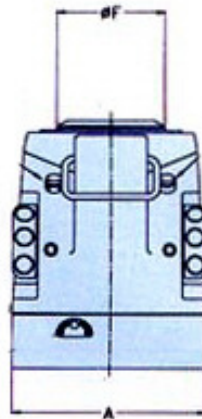
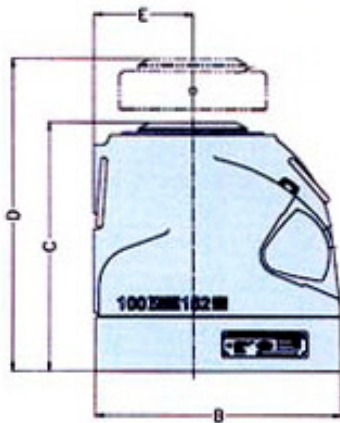
Capacity (tonne)	60	60
Stroke (mm)	152	305
Dimensions (mm)		
A	190	190
B1	251	
B	339	339
C	330	536
D	286	384
E	293	500
F	327	73
G	73	92
J	92	
L	92	181
M	181	108
Specifications		
Claw Capacity (tonne)	24	24
Ram Diameter (mm)	108	108
Jack Weight (kgs)	27.4	43.7
Claw Weight (kgs)	15.7	21.2
Max effort on Lever (kgs)	52	52
Lift / Stroke (mm)	0.3	0.3
Oil Capacity (litres)	1.71	2.84

Code	Description	List Price
PS660	Plain	£1143.00
PS660S	Screwed Ram	£1524.00
PS660C	Claw Attachment	£1380.00
PS1260	Plain (with claw base)	£1401.00
PS1260S	Screwed Ram (with claw base)	£1884.00
PS1260C	Claw Attachment	£1760.00

All prices quoted are excluding VAT

TECHNICAL INFORMATION – HYDRALITE 100 TONNE

The 100 tonne Hydralite is powered by two internal pumps. The low pressure, fast-speed plunger moves the ram out quickly, up to a load of about 8 tonnes on the ram, before transfer to the high pressure plunger becomes necessary. The lift of ram per stroke of lever is 1.1 mm on low pressure and 0.1 mm on high pressure.



Capacity (tonne)	100	100
Order Code	P6100	P6100S
Dimensions (mm)		
A	240	240
B	305	305
C	310	
D		360
E	124	124
F	140	140
Specifications		
Stroke (mm)	152	152
Jack Weight (kg)	49	53
Working Pressure (bar)	640	640
Effort on Lever (N)	778	778
Lift / Stroke high (mm)	0.1	0.1
Lift / Stroke low (mm)	1.1	1.1
Oil Capacity (litres)	2.23	2.3

Code	Description	List Price
P6100	Plain	£2098.00
P6100S	Screwed Ram	£2475.00

All prices quoted are excluding VAT