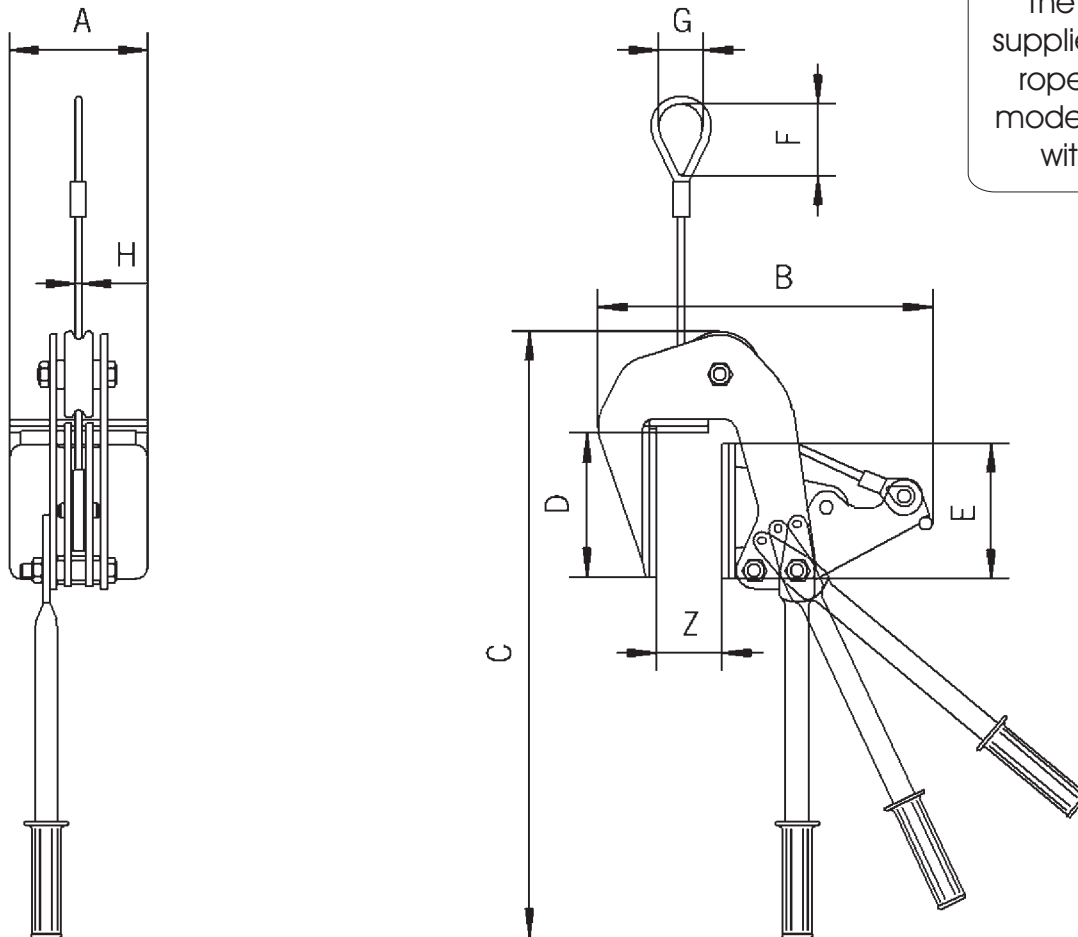


DESCRIPTION

The TPZ Board Clamp has been designed to facilitate the lifting and handling of boards / plates of timber, plastics, laminates and plasterboard. Loads can be lifted from the horizontal position for transport in the vertical position. The clamp is fitted with a handle to enable the operator to guide the load during transport. The jaws are fitted with large area rubber pads to prevent damage to the load.

DIAGRAM



NOTE:
 The TPZ400 is supplied with wire rope. All other models are fitted with chain.

TABLE

MODEL	WLL Kg	Weight Kg	Jaw Cap (Z) mm	A mm	B mm	C mm	D mm	E mm	F mm	G mm	H mm
TPZ 400	400	8.0	5 - 55	120	290	525	125	117	60	40	6
TPZ 400L	400	8.5	50 - 100	120	350	530	125	117	60	40	6
TPZ 750	750	13.5	5 - 60	155	350	555	145	135	135	75	8
TPZ 750L	750	15	60 - 120	155	405	555	145	135	135	75	8