

McKissick® Construction Blocks

680 Construction Blocks

- Wide Range of product available.
- Capacity: 5 to 100 tons - Larger models available.
- Sheave sizes: 6" to 24" O.D.
- Wire Line Sizes: 3/8" to 1-1/4"
- Equipped with genuine Crosby® forged steel, Quenched and Tempered shackles that contain the patented QUIC-CHECK® markings.
- Design Factor of 4 to 1.
- All 680 Series Blocks are furnished standard with Bronze Bushings.
- All 680 blocks 16" and larger, are furnished with McKissick® Roll Forged® sheaves with flame hardened grooves.
- Sheaves are lubricated through center pin, with a separate lube channel to each bearing.
- Single sheave blocks have thimble dead end.
- Manufactured by an ISO 9001 and API Q1 Certified facility.

Options Available:

- Roller bearing sheaves
- Hanger & Bolt Only models available
- Third party testing with certification
- Galvanized finish - Most models



With Shackle



With Hanger



Bolt Only

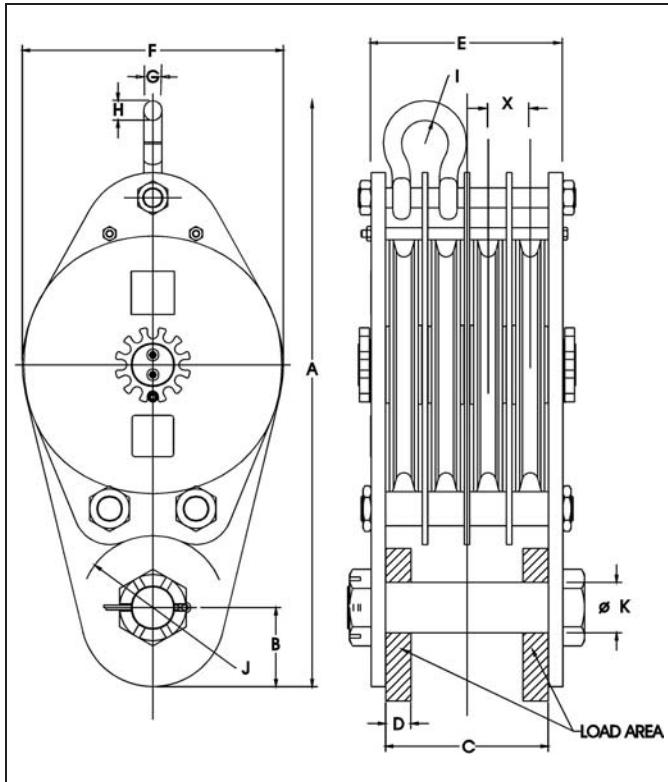
SELBY ENGINEERING & LIFTING SAFETY LTD.
Lifting Equipment and Height Safety Specialists
www.liftingsafety.co.uk sales@liftingsafety.co.uk
Tel: +44 (0) 1977 684 600 Fax: +44 (0) 1977 685 300



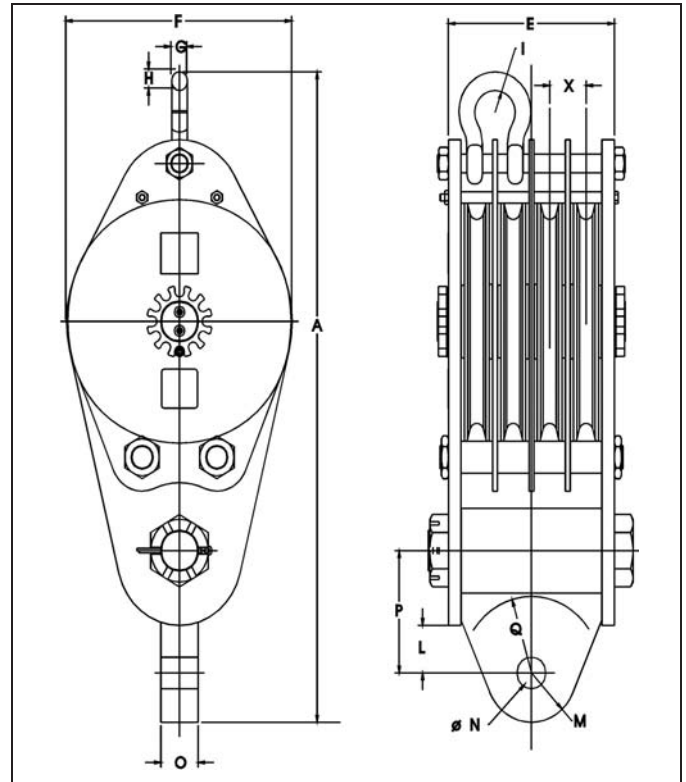
**SEE APPLICATION AND
WARNING INFORMATION**

Para Español: www.thecrosbygroup.com On Pages 342 - 349

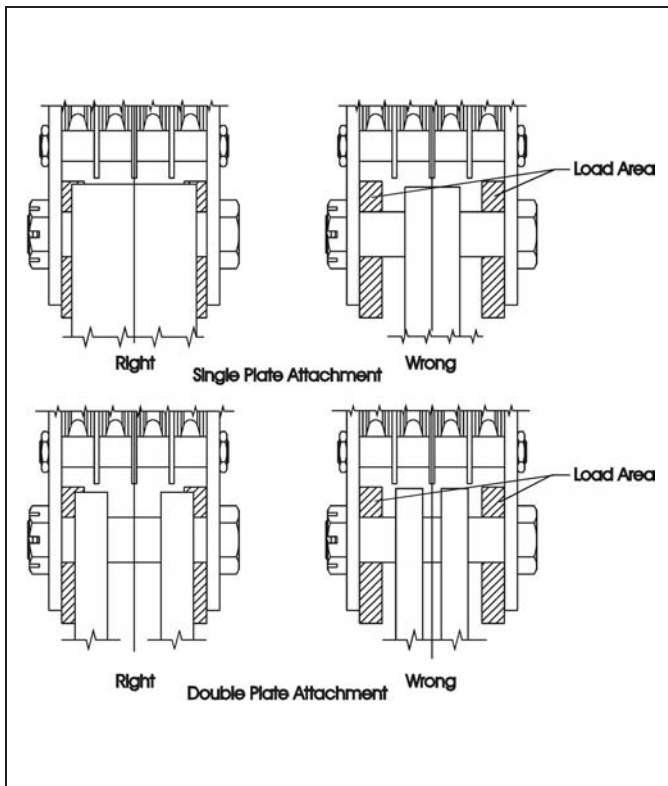
McKissick® Construction Blocks



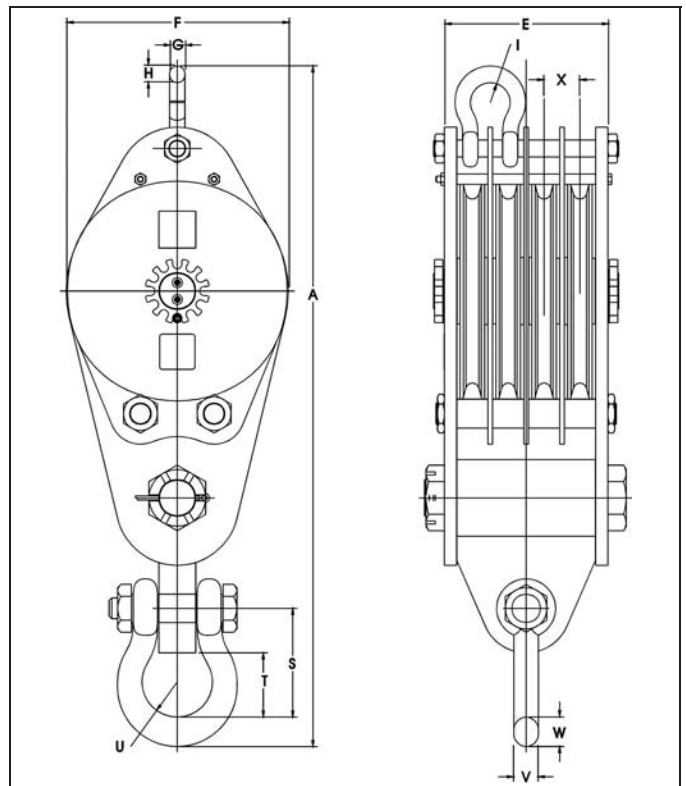
“P” Fitting - Block with Bolt Only



“H” Fitting - Block with Hangers Only



NOTE: The outside of attaching plates must be within the indicated load areas. Means must be provided to keep attaching plates equally spaced from the block side plates.

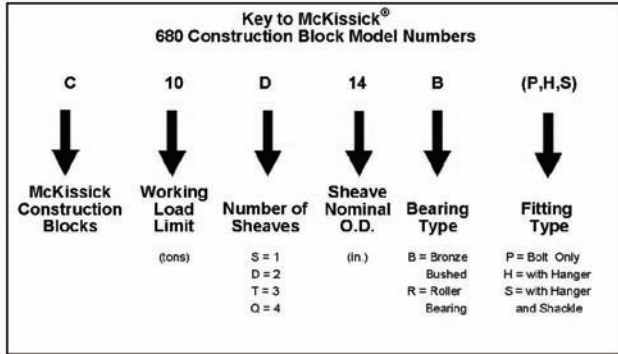


“S” Fitting - Blocks with Hanger and Shackles

McKissick
Blocks

McKissick® Construction Blocks

680 BLOCKS - "P" FITTING



Sheave Diameter (in.)	Wire Line Size (in.)									
	3/8	7/16	1/2	9/16	5/8	3/4	7/8	1	1-1/8	1-1/4
6										
8										
10										
12										
14										
16										
18										
20										
24										



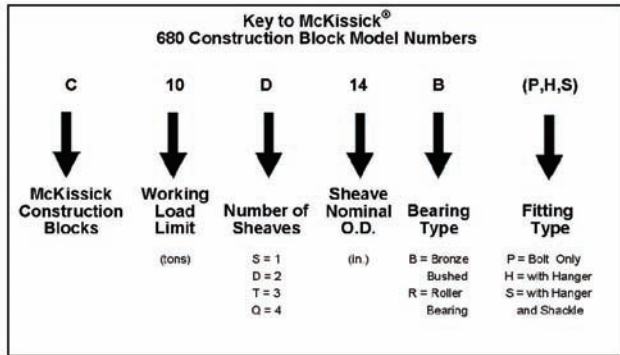
"P" Fitting - Blocks with Bolt Only - See Drawing on Page 301

- All sizes are RFID EQUIPPED.

Model No.	680-P Inquiry Stock No.	Working Load Limit (Tons)	No. of Sheaves	Sheave Diam. (in.)	Blocks with Bolt Only Dimensions (in.)											Weight Each (lbs.)	
					A	B	C	D	E	F	G	H	I	J	K		X
5 Tons																	
C5S6BP	2101000	5	1	6	12.12	1.62	1.78	-	2.28	6.12	-	-	-	2.00	1.25	-	19
C5S8BP	2101002	5	1	8	14.00	1.62	1.78	-	2.28	8.12	-	-	-	2.00	1.25	-	31
C5D6BP	2101010	5	2	6	14.75	1.62	3.81	1.06	4.31	6.12	.63	.69	.84	1.79	1.25	2.03	33
C5D8BP	2101012	5	2	8	16.62	1.62	3.81	1.06	4.31	8.12	.63	.69	.84	1.79	1.25	2.03	54
C5T6BP	2101020	5	3	6	14.75	1.62	5.84	1.06	6.34	6.12	.63	.69	.84	1.79	1.25	2.03	45
C5T8BP	2101022	5	3	8	16.62	1.62	5.84	1.06	6.34	8.12	.63	.69	.84	1.79	1.25	2.03	75
7.5 Tons																	
C7S6BP	2101050	7.5	1	6	12.12	1.62	1.78	-	2.28	6.12	-	-	-	2.00	1.25	-	19
C7S8BP	2101052	7.5	1	8	14.00	1.62	1.78	-	2.28	8.12	-	-	-	2.00	1.25	-	31
C7D6BP	2101060	7.5	2	6	14.75	1.62	3.81	.62	4.31	6.12	.63	.69	.84	1.79	1.25	2.03	33
C7D8BP	2101062	7.5	2	8	16.62	1.62	3.81	.62	4.31	8.12	.63	.69	.84	1.79	1.25	2.03	54
C7T6BP	2101070	7.5	3	6	14.75	1.62	5.84	.62	6.34	6.12	.63	.69	.84	1.79	1.25	2.03	45
C7T8BP	2101072	7.5	3	8	16.62	1.62	5.84	.62	6.34	8.12	.63	.69	.84	1.79	1.25	2.03	75
10 Tons																	
C10S8BP	2101100	10	1	8	15.12	2.12	1.78	-	2.28	8.12	-	-	-	2.38	1.50	-	34
C10S10BP	2101102	10	1	10	17.12	2.12	1.78	-	2.28	10.12	-	-	-	2.38	1.50	-	47
C10S12BP	2101104	10	1	12	19.00	2.12	1.78	-	2.28	12.12	-	-	-	2.38	1.50	-	57
C10S14BP	2101106	10	1	14	21.12	2.12	1.78	-	2.28	14.12	-	-	-	2.38	1.50	-	64
C10D6BP	2101110	10	2	6	15.69	2.12	3.81	.88	4.31	6.12	.63	.69	.84	2.12	1.50	2.03	41
C10D8BP	2101112	10	2	8	17.44	2.12	3.81	.88	4.31	8.12	.63	.69	.84	2.12	1.50	2.03	58
C10D10BP	2101114	10	2	10	19.44	2.12	3.81	.88	4.31	10.12	.63	.69	.84	2.12	1.50	2.03	.82
C10D12BP	2101116	10	2	12	21.31	2.12	3.81	.88	4.31	12.12	.63	.69	.84	2.12	1.50	2.03	.99
C10D14BP	2101118	10	2	14	23.44	2.12	3.81	.88	4.31	14.12	.63	.69	.84	2.12	1.50	2.03	114
C10T8BP	2101120	10	3	8	17.44	2.12	5.84	.88	6.34	8.12	.63	.69	.84	2.12	1.50	2.03	81
C10T10BP	2101122	10	3	10	19.44	2.12	5.84	.88	6.34	10.12	.63	.69	.84	2.12	1.50	2.03	115
C10T12BP	2101124	10	3	12	21.31	2.12	5.84	.88	6.34	12.12	.63	.69	.84	2.12	1.50	2.03	138
C10T14BP	2101126	10	3	14	23.44	2.12	5.84	.88	6.34	14.12	.63	.69	.84	2.12	1.50	2.03	162
C10Q8BP	2101130	10	4	8	17.44	2.12	7.87	.88	8.37	8.12	.63	.69	.84	2.12	1.50	2.03	103
C10Q10B	2101132	10	4	10	19.44	2.12	7.87	.88	8.37	10.12	.63	.69	.84	2.12	1.50	2.03	149
15 Tons																	
C15S10B	2101170	15	1	10	19.19	2.88	2.04	-	3.04	10.12	-	-	-	3.12	2.00	-	76
C15S12BP	2101172	15	1	12	21.06	2.88	2.04	-	3.04	12.12	-	-	-	3.12	2.00	-	92
C15S14SP	2101174	15	1	14	23.06	2.88	2.04	-	3.04	14.12	-	-	-	3.12	2.00	-	111
C15D10BP	2101180	15	2	10	22.19	2.88	4.34	1.25	5.34	10.12	.75	.81	1.00	2.82	2.00	2.30	115
C15D12BP	2101182	15	2	12	24.06	2.88	4.34	1.25	5.34	12.12	.75	.81	1.00	2.82	2.00	2.30	138
C15D14BP	2101184	15	2	14	26.06	2.88	4.34	1.25	5.34	14.12	.75	.81	1.00	2.82	2.00	2.30	168
C15T8BP	2101190	15	3	8	20.19	2.88	6.64	1.25	7.64	8.12	.75	.81	1.00	2.82	2.00	2.30	105
C15T10BP	2101192	15	3	10	22.19	2.88	6.64	1.25	7.64	10.12	.75	.81	1.00	2.82	2.00	2.30	152
C15T12BP	2101194	15	3	12	24.06	2.88	6.64	1.25	7.64	12.12	.75	.81	1.00	2.82	2.00	2.30	1822
C15T14BP	2101196	15	3	14	26.06	2.88	6.64	1.25	7.64	14.12	.75	.81	1.00	2.82	2.00	2.30	214
C15Q10BP	2101200	15	4	10	22.19	2.88	8.94	1.25	9.94	10.12	.75	.81	1.00	2.82	2.00	2.30	209
20 Tons																	
C20S18BP	2101244	20	1	18	27.88	3.00	2.54	.75	4.04	18.12	-	-	-	3.12	2.00	-	203
C20D12BP	2101250	20	2	12	27.69	3.00	4.34	.75	5.84	12.12	.88	.97	1.14	2.82	2.00	2.30	166
C20D14BP	2101252	20	2	14	28.50	3.00	4.34	.75	5.84	14.12	.88	.97	1.14	2.82	2.00	2.30	199

McKissick® Construction Blocks

680 BLOCKS - "S" FITTING



Sheave Diameter (in.)	Wire Line Size (in.)									
	3/8	7/16	1/2	9/16	5/8	3/4	7/8	1	1-1/8	1-1/4
6										
8										
10										
12										
14										
16										
18										
20										
24										



"S" Fitting - Blocks with Hanger & Shackle - See Drawing on Page 301

- All sizes are RFID EQUIPPED.

Model No.	680-S Inquiry Stock No.	Working Load Limit (Tons)	No. of Sheaves	Sheave Diam. (in.)	Blocks with Hanger and Shackle - Dimensions (in.)											Weight Each (lbs.)	
					A	E	F	G	H	I	S	T	U	V	W		X
5 Tons																	
C5S6BS	2103000	5	1	6	18.56	2.28	6.12	--	--	--	3.81	2.56	1.14	.88	.97	--	25
C5S8BS	2103002	5	1	8	20.44	2.28	8.12	--	--	--	3.81	2.56	1.14	.88	.97	--	37
C5D6BS	2103010	5	2	6	21.19	4.31	6.12	.63	.69	.84	3.81	2.56	1.14	.88	.97	2.03	40
C5D8BS	2103012	5	2	8	23.06	4.31	8.12	.63	.69	.84	3.81	2.56	1.14	.88	.97	2.03	61
C5T6BS	2103020	5	3	6	21.19	6.34	6.12	.63	.69	.84	3.81	2.56	1.14	.88	.97	2.03	54
C5T8BS	2103022	5	3	8	23.06	6.34	8.12	.63	.69	.84	3.81	2.56	1.14	.88	.97	2.03	84
7.5 Tons																	
C7S6BS	2103050	7.5	1	6	18.56	2.28	6.12	--	--	--	3.81	2.56	1.14	.88	.97	--	25
C7S8BS	2103052	7.5	1	8	20.44	2.28	8.12	--	--	--	3.81	2.56	1.14	.88	.97	--	37
C7D6BS	2103060	7.5	2	6	21.19	4.31	6.12	.63	.69	.84	3.81	2.56	1.14	.88	.97	2.03	40
C7D8BS	2103062	7.5	2	8	23.06	4.31	8.12	.63	.69	.84	3.81	2.56	1.14	.88	.97	2.03	61
C7T6BS	2103070	7.5	3	6	21.19	6.34	6.12	.63	.69	.84	3.81	2.56	1.14	.88	.97	2.03	54
C7T8BS	2103072	7.5	3	8	23.06	6.34	8.12	.63	.69	.84	3.81	2.56	1.14	.88	.97	2.03	84
10 Tons																	
C10S8BS	2103100	10	1	8	23.12	2.28	8.12	--	--	--	4.88	3.50	1.46	1.13	1.25	--	47
C10S10BS	2103102	10	1	10	25.12	2.28	10.12	--	--	--	4.88	3.50	1.46	1.13	1.25	--	60
C10S12BS	2103104	10	1	12	27.00	2.28	12.12	--	--	--	4.88	3.50	1.46	1.13	1.25	--	70
C10S14BS	2103106	10	1	14	29.12	2.28	14.12	--	--	--	4.88	3.50	1.46	1.13	1.25	--	77
C10D6BS	2103110	10	2	6	23.69	4.31	6.12	.63	.69	.84	4.88	3.50	1.46	1.13	1.25	2.03	52
C10D8BS	2103112	10	2	8	25.44	4.31	8.12	.63	.69	.84	4.88	3.50	1.46	1.13	1.25	2.03	73
C10D10BS	2103114	10	2	10	27.44	4.31	10.12	.63	.69	.84	4.88	3.50	1.46	1.13	1.25	2.03	97
C10D12BS	2103116	10	2	12	29.31	4.31	12.12	.63	.69	.84	4.88	3.50	1.46	1.13	1.25	2.03	114
C10D14BS	2103118	10	2	14	31.44	4.31	14.12	.63	.69	.84	4.88	3.50	1.46	1.13	1.25	2.03	129
C10T8BS	2103120	10	3	8	25.44	6.34	8.12	.63	.69	.84	4.88	3.50	1.46	1.13	1.25	2.03	98
C10T10BS	2103122	10	3	10	27.44	6.34	10.12	.63	.69	.84	4.88	3.50	1.46	1.13	1.25	2.03	132
C10T12BS	2103124	10	3	12	29.31	6.34	12.12	.63	.69	.84	4.88	3.50	1.46	1.13	1.25	2.03	155
C10T14BS	2103126	10	3	14	31.44	6.34	14.12	.63	.69	.84	4.88	3.50	1.46	1.13	1.25	2.03	179
C10Q8BS	2103130	10	4	8	25.44	8.37	8.12	.63	.69	.84	4.88	3.50	1.46	1.13	1.25	2.03	123
C10Q10BS	2103132	10	4	10	27.44	8.37	10.12	.63	.69	.84	4.88	3.50	1.46	1.13	1.25	2.03	169
15 Tons																	
C15S10BS	2103170	15	1	10	29.31	3.04	10.12	--	--	--	6.00	4.12	1.81	1.38	1.50	--	102
C15S12BS	2103172	15	1	12	31.19	3.04	12.12	--	--	--	6.00	4.12	1.81	1.38	1.50	--	118
C15S14BS	2103174	15	1	14	33.19	3.04	14.12	--	--	--	6.00	4.12	1.81	1.38	1.50	--	137
C15D10BS	2103180	15	2	10	32.31	5.34	10.12	.75	.81	1.00	6.00	4.12	1.81	1.38	1.50	2.30	147
C15D12BS	2103182	15	2	12	34.19	5.34	12.12	.75	.81	1.00	6.00	4.12	1.81	1.38	1.50	2.30	170
C15D14BS	2103184	15	2	14	36.19	5.34	14.12	.75	.81	1.00	6.00	4.12	1.81	1.38	1.50	2.30	200
C15T8BS	2103190	15	3	8	30.31	7.64	8.12	.75	.81	1.00	6.00	4.12	1.81	1.38	1.50	2.30	143
C15T10BS	2103192	15	3	10	32.31	7.64	10.12	.75	.81	1.00	6.00	4.12	1.81	1.38	1.50	2.30	190
C15T12BS	2103194	15	3	12	34.19	7.64	12.12	.75	.81	1.00	6.00	4.12	1.81	1.38	1.50	2.30	220
C15T14BS	2103196	15	3	14	36.19	7.64	14.12	.75	.81	1.00	6.00	4.12	1.81	1.38	1.50	2.30	252
C15Q10BS	2103200	15	4	10	32.31	9.94	10.12	.75	.81	1.00	6.00	4.12	1.81	1.38	1.50	2.30	232
20 Tons																	
C20S18BS	2103244	20	1	18	38.56	4.04	18.12	--	--	--	6.56	4.68	1.94	1.50	1.62	--	236
C20D12BS	2103250	20	2	12	38.38	5.84	12.12	.88	.97	1.14	6.56	4.68	1.94	1.50	1.62	2.30	203

McKissick® Construction Blocks

Model No.	680-S Inquiry Stock No.	Working Load Limit (Tons)	No. of Sheaves	Sheave Diam. (in.)	Blocks with Hanger and Shackle - Dimensions (in.)											Weight Each (lbs.)	
					A	E	F	G	H	I	S	T	U	V	W		X
C45Q16BS	2103604	45	4	16	49.75	10.44	16.12	1.13	1.25	1.46	8.00	5.12	2.50	1.75	2.25	2.30	535
C45Q18BS	2103606	45	4	18	50.25	13.33	18.12	1.13	1.25	1.46	8.00	5.12	2.50	1.75	2.25	2.90	800
50 Tons																	
C50D20BS	2103640	50	2	20	56.81	7.84	20.12	1.25	1.38	1.62	8.88	5.63	2.88	2.00	2.40	3.30	740
C50D24BS	2103642	50	2	24	60.81	7.84	24.12	1.25	1.38	1.62	8.88	5.63	2.88	2.00	2.40	3.30	923
C50T18BS	2103650	50	3	18	55.56	10.40	18.12	1.25	1.38	1.62	8.88	5.25	2.88	2.00	2.40	2.90	752
C50T20BS	2103652	50	3	20	56.81	10.40	20.12	1.25	1.38	1.62	8.88	5.25	2.88	2.00	2.40	2.90	864
C50T24BS	2103654	50	3	24	60.81	10.40	24.12	1.25	1.38	1.62	8.88	5.25	2.88	2.00	2.40	2.90	1077
C50Q16BS	2103660	50	4	16	53.44	13.33	16.12	1.25	1.38	1.62	8.88	5.25	2.88	2.00	2.40	2.90	780
C50Q18BS	2103662	50	4	18	55.56	13.33	18.12	1.25	1.38	1.62	8.88	5.25	2.88	2.00	2.40	2.90	930
55 Tons																	
C55D20BS	2103700	55	2	20	56.81	7.84	20.12	1.25	1.38	1.62	8.88	5.63	2.88	2.00	2.40	3.30	740
C55D24BS	2103702	55	2	24	60.81	7.84	24.12	1.25	1.38	1.62	8.88	5.63	2.88	2.00	2.40	3.30	923
C55T18BS	2103710	55	3	18	55.56	10.40	18.12	1.25	1.38	1.62	8.88	5.25	2.88	2.00	2.40	2.90	752
C55T20BS	2103712	55	3	20	56.81	10.40	20.12	1.25	1.38	1.62	8.88	5.25	2.88	2.00	2.40	2.90	864
C55T24BS	2103714	55	3	24	60.81	10.40	24.12	1.25	1.38	1.62	8.88	5.25	2.88	2.00	2.40	2.90	1077
C55Q16BS	2103720	55	4	16	53.44	13.33	16.12	1.25	1.38	1.62	8.88	5.25	2.88	2.00	2.40	2.90	780
C55Q18BS	2103722	55	4	18	55.56	13.33	18.12	1.25	1.38	1.62	8.88	5.25	2.88	2.00	2.40	2.90	930
60 Tons																	
C60T18BS	2103760	60	3	18	55.56	10.40	18.12	1.25	1.38	1.62	8.88	5.25	2.88	2.00	2.40	2.90	752
C60T20BS	2103762	60	3	20	56.75	10.40	20.12	1.25	1.38	1.62	8.88	5.25	2.88	2.00	2.40	2.90	864
C60T24BS	2103764	60	3	24	60.75	10.40	24.12	1.25	1.38	1.62	8.88	5.25	2.88	2.00	2.40	2.90	1077
C60Q18BS	2103770	60	4	18	55.56	13.33	18.12	1.25	1.38	1.62	8.88	5.25	2.88	2.00	2.40	2.90	930
C60Q20BS	2103772	60	4	20	56.75	13.33	20.12	1.25	1.38	1.62	8.88	5.25	2.88	2.00	2.40	2.90	1080
C60Q24BS	2103774	60	4	24	60.75	13.33	24.12	1.25	1.38	1.62	8.88	5.25	2.88	2.00	2.40	2.90	1290
65 Tons																	
C65T18BS	2103810	65	3	18	55.56	10.40	18.12	1.25	1.38	1.62	8.88	5.25	2.88	2.00	2.40	2.90	752
C65T20BS	2103812	65	3	20	56.75	10.40	20.12	1.25	1.38	1.62	8.88	5.25	2.88	2.00	2.40	2.90	864
C65T24BS	2103814	65	3	24	60.75	10.40	24.12	1.25	1.38	1.62	8.88	5.25	2.88	2.00	2.40	2.90	1077
C65Q18BS	2103820	65	4	18	55.56	13.33	18.12	1.25	1.38	1.62	8.88	5.25	2.88	2.00	2.40	2.90	930
C65Q20BS	2103822	65	4	20	56.75	13.33	20.12	1.25	1.38	1.62	8.88	5.25	2.88	2.00	2.40	2.90	1080
C65Q24BS	2103824	65	4	24	60.75	13.33	24.12	1.25	1.38	1.62	8.88	5.25	2.88	2.00	2.40	2.90	1290
70 Tons																	
C70T20BS	2103830	70	3	20	65.75	11.14	20.12	1.38	1.50	1.82	11.88	7.25	3.62	2.71	3.12	3.30	1170
C70Q20BS	2103840	70	4	20	65.75	13.31	20.12	1.38	1.50	1.82	11.88	7.25	3.62	2.71	3.12	2.90	1235
C70Q24BS	2103842	70	4	24	69.75	13.31	24.12	1.38	1.50	1.82	11.88	7.25	3.62	2.71	3.12	2.90	1560
C70QN20BS	2103850	70	5	20	65.75	18.23	20.12	1.38	1.50	1.82	11.88	7.25	3.62	2.71	3.12	3.30	1590
C70QN24BS	2103852	70	5	24	69.75	18.23	24.12	1.38	1.50	1.82	11.88	7.25	3.62	2.71	3.12	3.30	2000
80 Tons																	
C80T20BS	2103860	80	3	20	65.75	11.14	20.12	1.38	1.50	1.82	11.88	7.25	3.62	2.71	3.12	3.30	1170
C80Q20BS	2103870	80	4	20	65.75	13.31	20.12	1.38	1.50	1.82	11.88	7.25	3.62	2.71	3.12	2.90	1300
C80Q24BS	2103872	80	4	24	69.75	13.31	24.12	1.38	1.50	1.82	11.88	7.25	3.62	2.71	3.12	2.90	1560
C80QN20BS	2103880	80	5	20	65.75	18.23	20.12	1.38	1.50	1.82	11.88	7.25	3.62	2.71	3.12	3.30	1590
C80QN24BS	2103882	80	5	24	69.75	18.23	24.12	1.38	1.50	1.82	11.88	7.25	3.62	2.71	3.12	3.30	2000
90 Tons																	
C90Q20BS	2103920	90	4	20	65.75	13.81	20.12	1.38	1.50	1.82	11.88	7.25	3.62	2.71	3.12	2.90	1360
C90Q24BS	2103922	90	4	24	69.75	13.81	24.12	1.38	1.50	1.82	11.88	7.25	3.62	2.71	3.12	2.90	1720
C90QN20BS	2103930	90	5	20	65.75	18.23	20.12	1.38	1.50	1.82	11.88	7.25	3.62	2.71	3.12	3.30	1590
C90QN24BS	2103932	90	5	24	69.75	18.23	24.12	1.38	1.50	1.82	11.88	7.25	3.62	2.71	3.12	3.30	2060
100 Tons																	
C100QN20BS	2103970	100	5	20	65.75	18.23	20.12	1.38	1.50	1.82	11.88	7.25	3.62	2.71	3.12	3.30	1590
C100QN24BS	2103972	100	5	24	69.75	18.23	24.12	1.38	1.50	1.82	11.88	7.25	3.62	2.71	3.12	3.30	2060
C100SX20BS	2103980	100	6	20	65.75	20.41	20.12	1.38	1.50	1.82	11.88	7.25	3.62	2.71	3.12	2.90	1665
C100SX24BS	2103982	100	6	24	69.75	20.41	24.12	1.38	1.50	1.82	11.88	7.25	3.62	2.71	3.12	2.90	2155

SELBY ENGINEERING & LIFTING SAFETY LTD.
Lifting Equipment and Height Safety Specialists
www.liftingsafety.co.uk sales@liftingsafety.co.uk
 Tel: +44 (0) 1977 684 600 Fax: +44 (0) 1977 685 300