

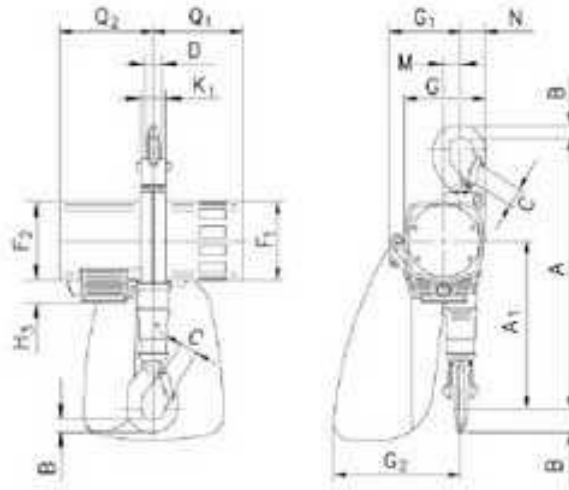


SELBY ENGINEERING & LIFTING SAFETY LTD.

Lifting Equipment and Height Safety Specialists
 www.liftingsafety.co.uk Email: sales@liftingsafety.co.uk
 Tel: (01977) 684600 Fax: (01977) 685300

Yale CPA Air Hoist 125kg to 6000kg

Technical Dimensions - 125kg to 990kg



Dimensions	CPA 1 - 15	CPA 2 - 8	CPA 5 - 10	CPA 10 - 5
A	328	328	458	458
A1	210	210	290	290
B	17	17	26	26
C	19	19	28	28
D	13	13	22	22
F1	92	92	122	122
F2	92	92	122	122
G	115	115	155	155
G1	83	83	119	119
G2	148	148	194	194
H3	30	30	45	45
K2	30	30	50	50
M	20	20	25	25
N	29	29	40	40
Q1	104	104	144	144
Q2	109	109	148	148





SELBY ENGINEERING & LIFTING SAFETY LTD.

Lifting Equipment and Height Safety Specialists

www.liftingsafety.co.uk Email: sales@liftingsafety.co.uk

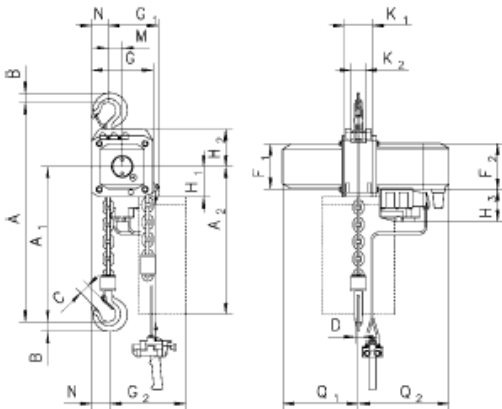
Tel: (01977) 684600 Fax: (01977) 685300

Technical Dimensions – 2000kg to 6000kg

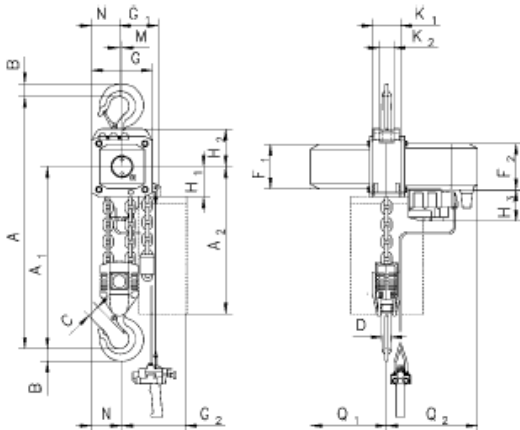
Dimensions CPA in mm

Dimension	CPA 20-8	CPA 30-6	CPA 40-4	CPA 50-3	CPA 60-3
A	516	516	681	681	681
A ₁	286	286	428	428	428
B	35	35	45	45	47
C	37	37	46	46	42
D	24	24	30	30	30
F ₁	160	160	160	160	160
F ₂	165	165	165	165	165
G	220	220	220	220	220
G ₂	180	180	140	140	140
G ₂ (13 m)	258	258	218	218	218
G ₂ (21 m)	278	278	238	238	238
H ₁	110	110	110	110	110
H ₂	135	135	135	135	135
H ₃	115	115	115	115	115
K ₁	100	100	100	100	100
K ₂	51	51	51	51	51
M	50	50	9,6	9,6	9,6
N	60	60	100	100	100
Q ₁	272	272	272	272	272
Q ₂	325	325	325	325	325

Model CPA
with suspension hook, single fall
2.000 - 3.000 kg



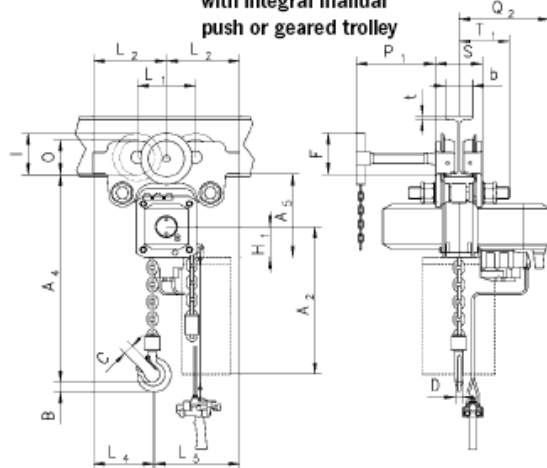
Model CPA
with suspension hook, double fall
4.000 - 6.000 kg



Dimensions CPA in mm

Dimension	CPA 20-8	CPA 30-6	CPA 40-4	CPA 50-3	CPA 60-3
A ₂ (13 m)	430	430	430	430	430
A ₂ (21 m)	530	530	530	530	530
A ₄	465	465	615	615	615
A ₅	298	298	298	298	298
A ₆	190	190	190	190	190
b	A = 98 - 180 / B = 180 - 300				
F	150	150	150	150	150
I	142,5	142,5	142,5	142,5	142,5
L ₁	209	209	209	209	209
L ₂	262,5	262,5	262,5	262,5	262,5
L ₃	265	265	265	265	265
L ₄	213	213	253	253	253
L ₅	312	312	272	272	272
L ₆	315	315	275	275	275
O	125	125	125	125	125
P	208	208	208	208	208
P ₁	284	284	284	284	284
S	b + 70	b + 70	b + 70	b + 70	b + 70
t	27	27	27	27	27
T size A	182	182	182	182	182
T size B	242	242	242	242	242

Model CPA
with integral manual
push or geared trolley



Model CPA
with integral pneumatic trolley

