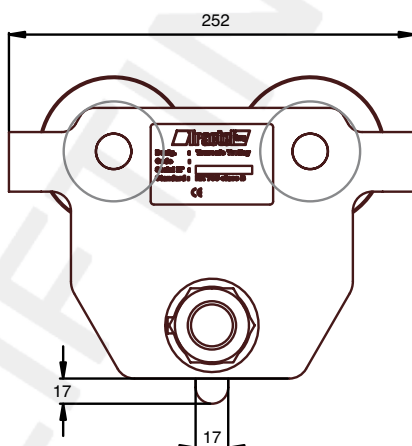
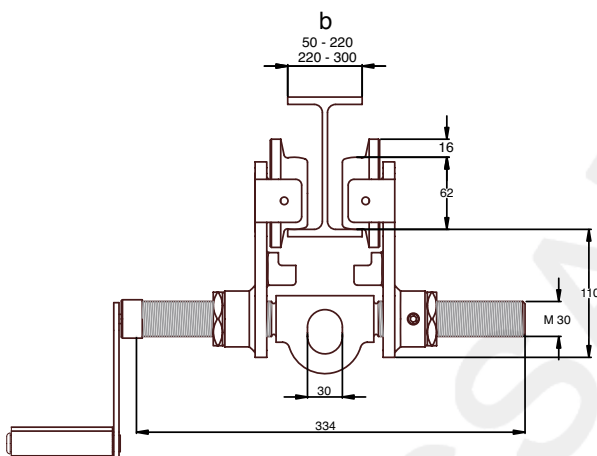
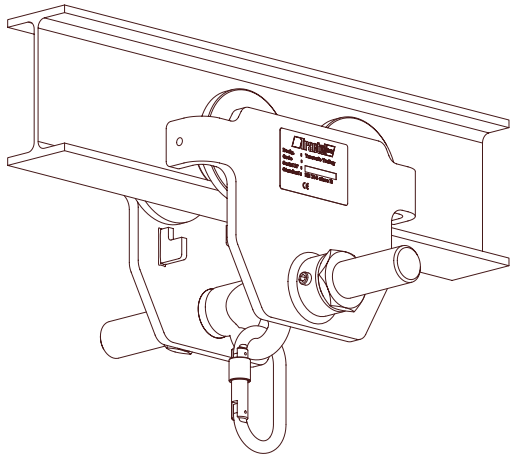


## Technical Data sheet

## FALL ARREST EQUIPMENT

### Temporary anchorage device on rollers rollbeam

ref. : T-2140 GB  
rev. n° : 00  
date : 13/05/2003  
page : 1/1



### Définition

Transportable temporary anchorage point on rollers for I, H or T-shaped bars.

### Function

The rollbeam is designed solely for anchoring a personal fall protection system. This device conforms to standard NF EN 795 class B (CE 0197).

### Operation

- Push trolley.
- Moves along on the lower flange of the bar.
- PPE suspended (see "Permissible attachments" section).
- Installation indoors.

### Design

- Rollers mounted on ball bearings.
- Anti-derailment device and safety nuts.
- Strength greater than that required by the standard.
- Rapid installation using a removable handle.

### Installation

1. Horizontal bars only.
2. The bar must have an end stop at each end.
3. Installation on H, I or T-shaped bars according to the flange width:
  - standard crosspiece:  $58 < b < 220$ mm
  - wide crosspiece:  $220 < b < 300$ mm
4. Minimum bar bending radius: 1m

### CE certification

APAVE No. 0082/352/160/04/03/0064

01/04/03 APAVE extension for wide crosspiece

### Permissible attachments

- A connector (EN 362)
- A fall arrest system (EN 3xx)
- Un connector (EN 362)
- A fall arrest harness (EN 361)  
(back or chest anchorage point)