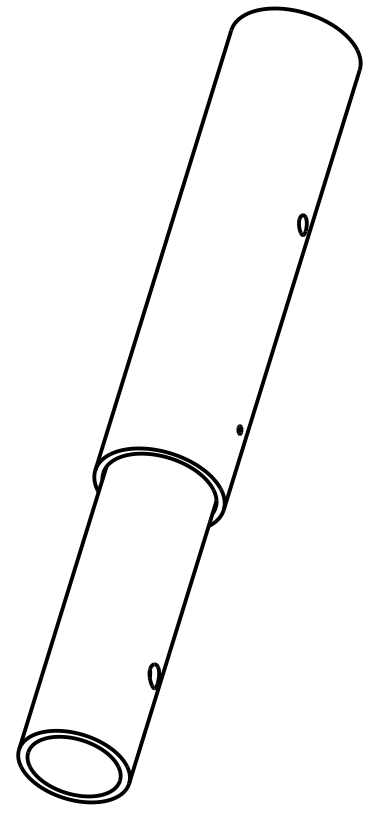
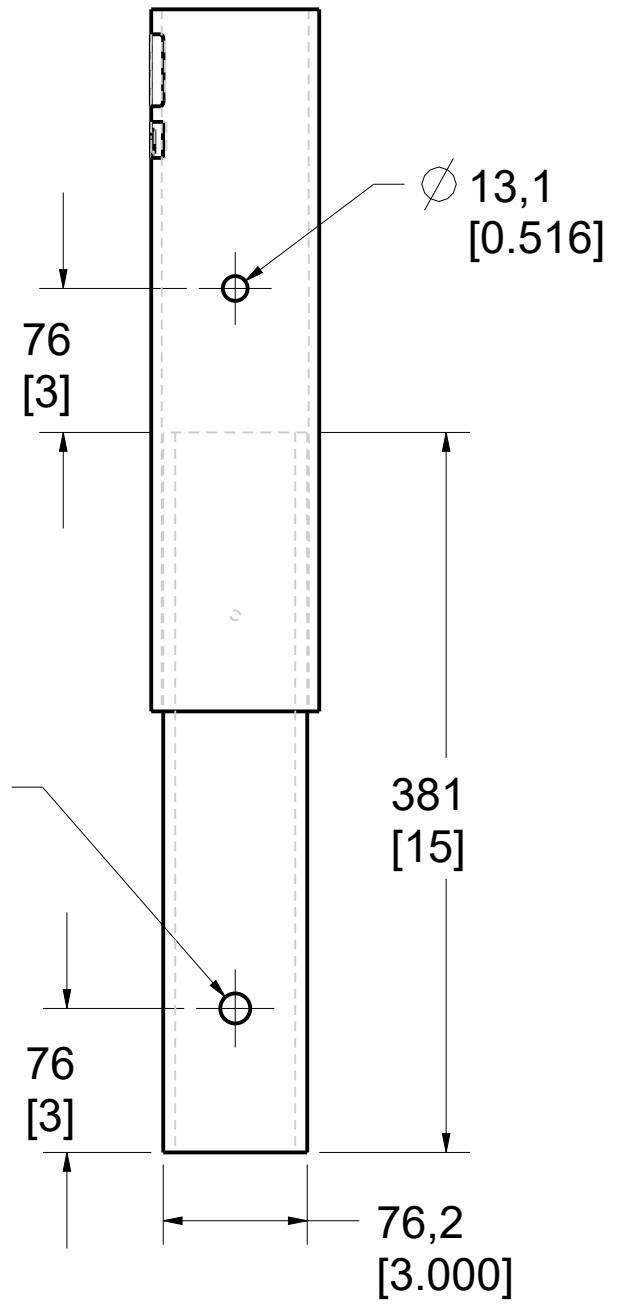
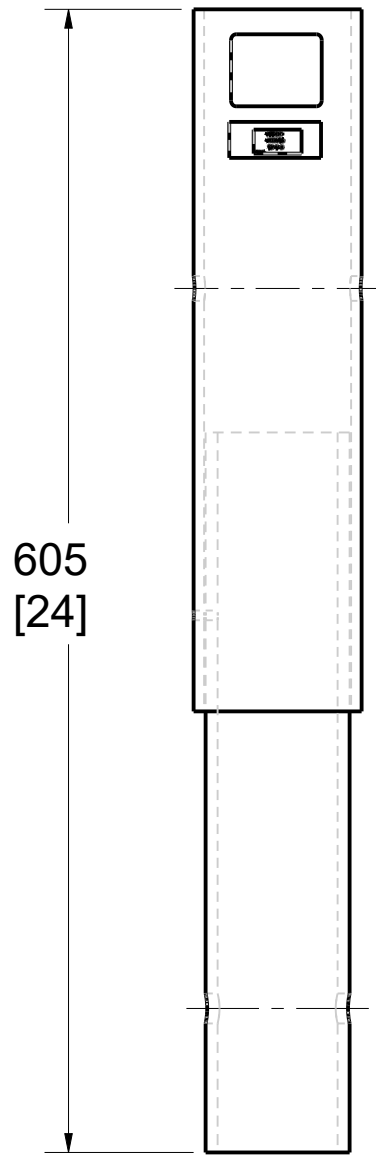
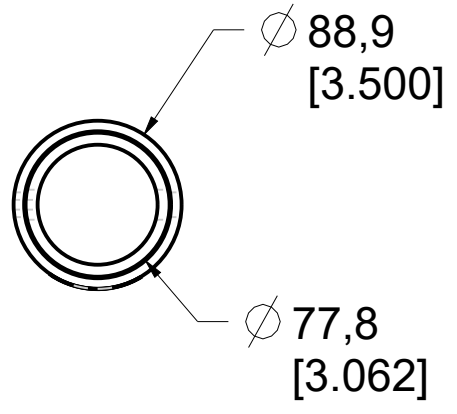
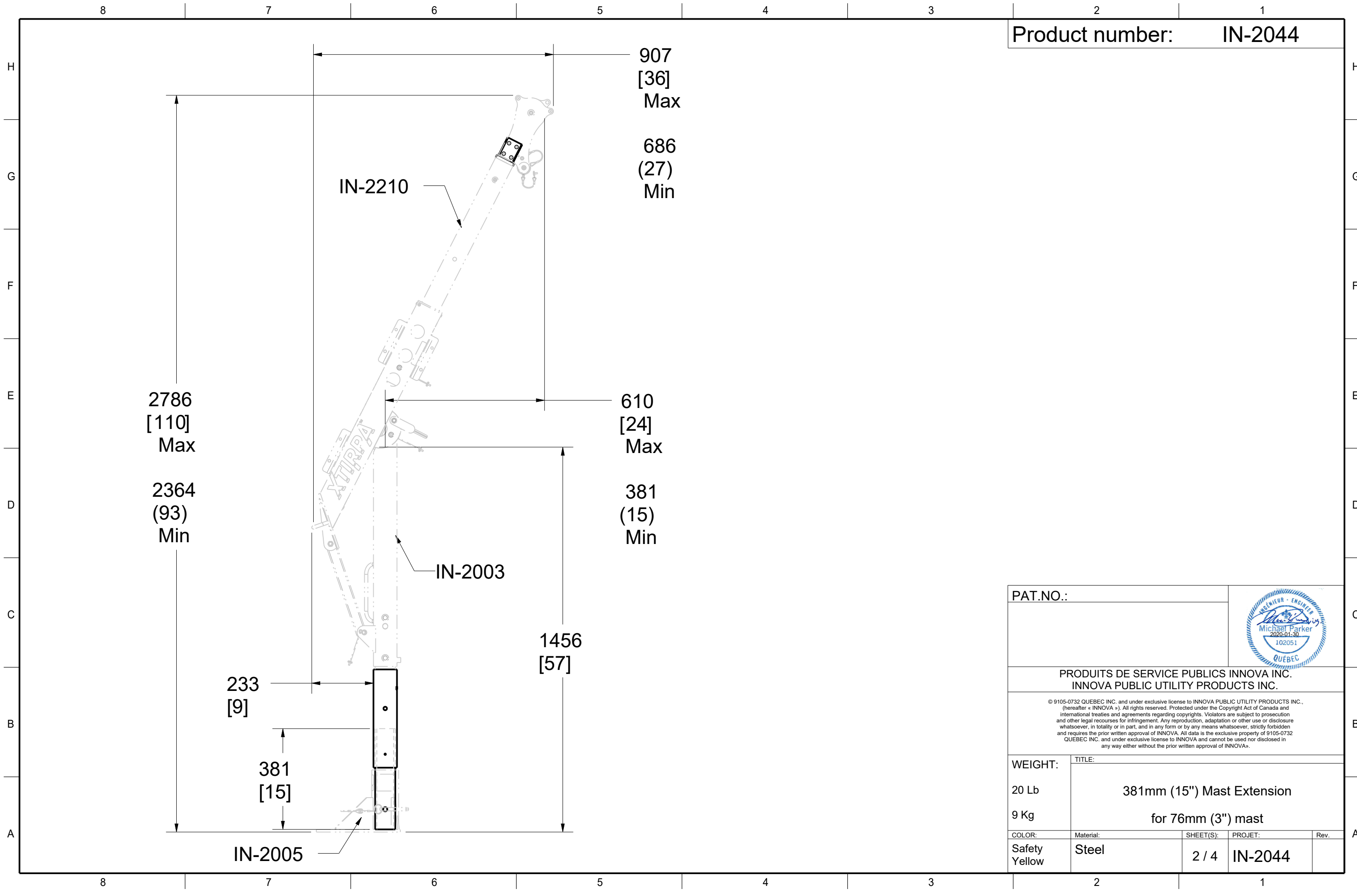



Product number: IN-2044



PAT.NO.:				
PRODUITS DE SERVICE PUBLICS INNOVA INC. INNOVA PUBLIC UTILITY PRODUCTS INC.				
© 9105-0732 QUEBEC INC. and under exclusive license to INNOVA PUBLIC UTILITY PRODUCTS INC., (hereafter « INNOVA »). All rights reserved. Protected under the Copyright Act of Canada and international treaties and agreements regarding copyrights. Violators are subject to prosecution and other legal recourses for infringement. Any reproduction, adaptation or other use or disclosure whatsoever, in totality or in part, and in any form or by any means whatsoever, strictly forbidden and requires the prior written approval of INNOVA. All data is the exclusive property of 9105-0732 QUEBEC INC. and under exclusive license to INNOVA and cannot be used nor disclosed in any way either without the prior written approval of INNOVA.				
WEIGHT:	TITLE:			
20 Lb	381mm (15") Mast Extension			
9 Kg	for 76mm (3") mast			
COLOR:	Material:	SHEET(S):	PROJET:	Rev.
Safety Yellow	Steel	1 / 4	IN-2044	

Product number: **IN-2044**



PAT.NO.:				
PRODUITS DE SERVICE PUBLICS INNOVA INC. INNOVA PUBLIC UTILITY PRODUCTS INC.				
<small>© 9105-0732 QUEBEC INC. and under exclusive license to INNOVA PUBLIC UTILITY PRODUCTS INC., (hereafter « INNOVA »). All rights reserved. Protected under the Copyright Act of Canada and international treaties and agreements regarding copyrights. Violators are subject to prosecution and other legal recourses for infringement. Any reproduction, adaptation or other use or disclosure whatsoever, in totality or in part, and in any form or by any means whatsoever, strictly forbidden and requires the prior written approval of INNOVA. All data is the exclusive property of 9105-0732 QUEBEC INC. and under exclusive license to INNOVA and cannot be used nor disclosed in any way either without the prior written approval of INNOVA.</small>				
WEIGHT:	TITLE:			
20 Lb	381mm (15") Mast Extension for 76mm (3") mast			
9 Kg				
COLOR:	Material:	SHEET(S):	PROJET:	Rev.
Safety Yellow	Steel	2 / 4	IN-2044	

SPECIFICATIONS

H This equipment is considered as part of a personal fall arrest system (PFAS) with a maximum working capacity of 164 Kg (360 lb).

It is only to be used in conjunction with a personal fall arrest system that limits the maximum arrest force (MAF).

G Working load (mass): With the IN-2002 Davit Arm or IN-2210 and the IN-2003 mast: 164 kg (360 lb)

Max capacity without deformation: With the IN-2002 Davit Arm or IN-2210 and the IN-2003 Mast: 16,298 N (3,664 lbf)

Maximum Moment : 9,935 N-m (87,936 lbf-in)

F STANDARDS

Meets the following standards:

OSHA Personal fall arrest system - 1910.66 App C

ANSI Safety requirements for personal fall arrest system, subsystems and components Z359.1 (R1999)

E CAN/CSA Fall arresters, vertical lifelines, and rails Z259.2.1-98

CE EN 795:2012 Type A

CEN/TS 16415: 2013 (2 Utilisateurs)

MATERIAL AND CONSTRUCTION

D Cylinder and sleeve : Steel DOM 1026

Pin : Stainless Steel

Lanyard : Nylon covered Stainless Steel Cable

Finish : Yellow security powder paint with metal protection base.

Welding Certification : CSA W59 & W47.1, AWS D1.6

C RESTRICTIONS

This product is to be used only with products approved by Innova Public Utility Products inc.

IMPORTANT :

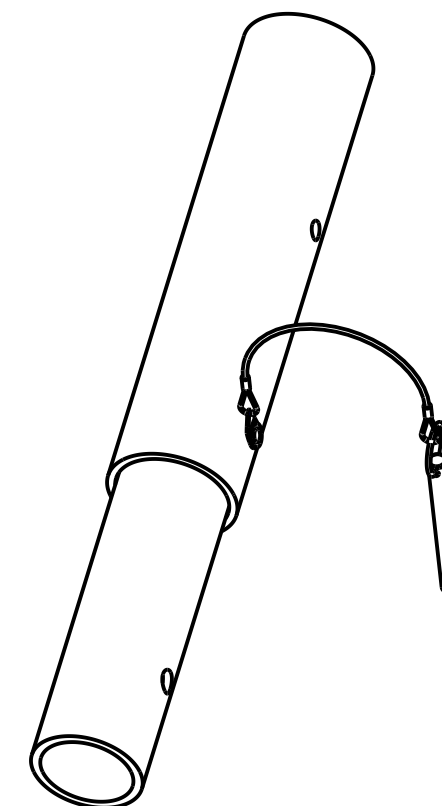
B ****The positioning pins must always be in place when manoeuvring personnel. Otherwise, serious injuries may occur.**

Periodic inspections of hardware must be done.

In the occurrence of a fall or the safety of the equipment is in doubt, equipment must be immediately removed from service and inspected by qualified personnel before reuse.

A **** This equipment must always be operated in a level position.**

Product number: IN-2044



PAT.NO.:				
PRODUITS DE SERVICE PUBLICS INNOVA INC. INNOVA PUBLIC UTILITY PRODUCTS INC.				
© 9105-0732 QUEBEC INC. and under exclusive license to INNOVA PUBLIC UTILITY PRODUCTS INC., (hereafter « INNOVA »). All rights reserved. Protected under the Copyright Act of Canada and international treaties and agreements regarding copyrights. Violators are subject to prosecution and other legal recourses for infringement. Any reproduction, adaptation or other use or disclosure whatsoever, in totality or in part, and in any form or by any means whatsoever, strictly forbidden and requires the prior written approval of INNOVA. All data is the exclusive property of 9105-0732 QUEBEC INC. and under exclusive license to INNOVA and cannot be used nor disclosed in any way either without the prior written approval of INNOVA.				
WEIGHT:	TITLE:			
20 Lb	381mm (15") Mast Extension			
9 Kg	for 76mm (3") mast			
COLOR:	Material:	SHEET(S):	PROJET:	Rev.
Safety Yellow	Steel	3 / 4	IN-2044	

8

7

6

5

4

3

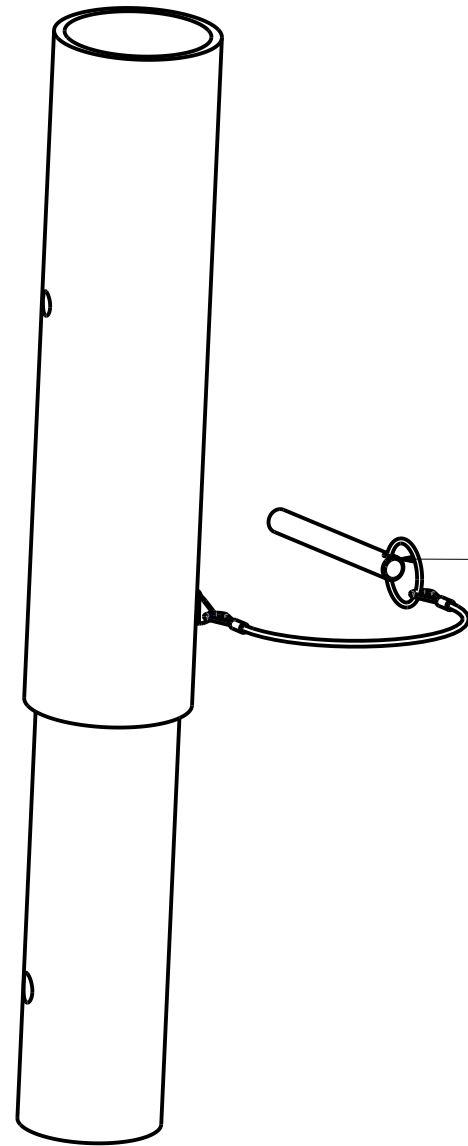
2

1

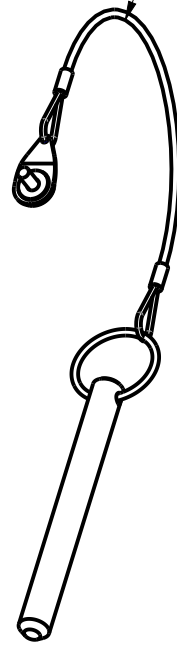
Product number: IN-2044


H
G
F
E
D
C
B
A

H
G
F
E
D
C
B
A



A2005-07
1x



PAT.NO.:				
PRODUITS DE SERVICE PUBLICS INNOVA INC. INNOVA PUBLIC UTILITY PRODUCTS INC.				
<small>© 9105-0732 QUEBEC INC. and under exclusive license to INNOVA PUBLIC UTILITY PRODUCTS INC., (hereafter « INNOVA »). All rights reserved. Protected under the Copyright Act of Canada and international treaties and agreements regarding copyrights. Violators are subject to prosecution and other legal recourses for infringement. Any reproduction, adaptation or other use or disclosure whatsoever, in totality or in part, and in any form or by any means whatsoever, strictly forbidden and requires the prior written approval of INNOVA. All data is the exclusive property of 9105-0732 QUEBEC INC. and under exclusive license to INNOVA and cannot be used nor disclosed in any way either without the prior written approval of INNOVA.</small>				
WEIGHT:	TITLE:			
20 Lb	381mm (15") Mast Extension for 76mm (3") mast			
9 Kg				
COLOR:	Material:	SHEET(S):	PROJET:	Rev.
Safety Yellow	Steel	4 / 4	IN-2044	

8

7

6

5

4

3

2

1