

# 3M

## PROTECTA®

Fall Protection

# CE

EN360: 2002  
EN1496: 2006 Class B  
CNB/P/11.060  
PPE Regulation (EU) 2016/425

### PROTECTA® REBEL SELF-RETRACTING DEVICES


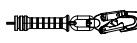

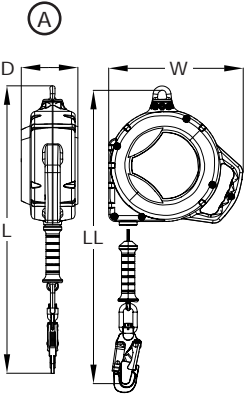
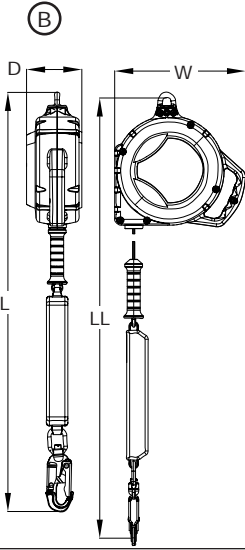
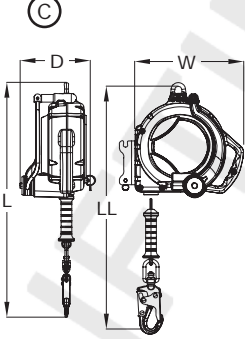
### USER INSTRUCTIONS 5903238 Rev. M

**(A)**  
**CE Type Test**  
No. 0082  
APAVE SUDEUROPE SAS  
Z.I. avenue Gay Lussac  
BP3  
33370 ARTIGUES-pres-BORDEAUX  
France

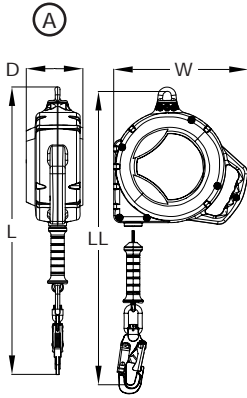
**(B) (C)**  
**CE Type Test**  
No. 2797  
BSI  
The Netherlands B.V.  
Say Building  
John M. Keynesplein 9  
1066 EP  
Amsterdam  
Netherlands


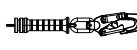

**(A) (B) (C)**  
**CE Production Quality Control**  
No. 2797  
BSI  
The Netherlands B.V.  
Say Building  
John M. Keynesplein 9  
1066 EP  
Amsterdam  
Netherlands

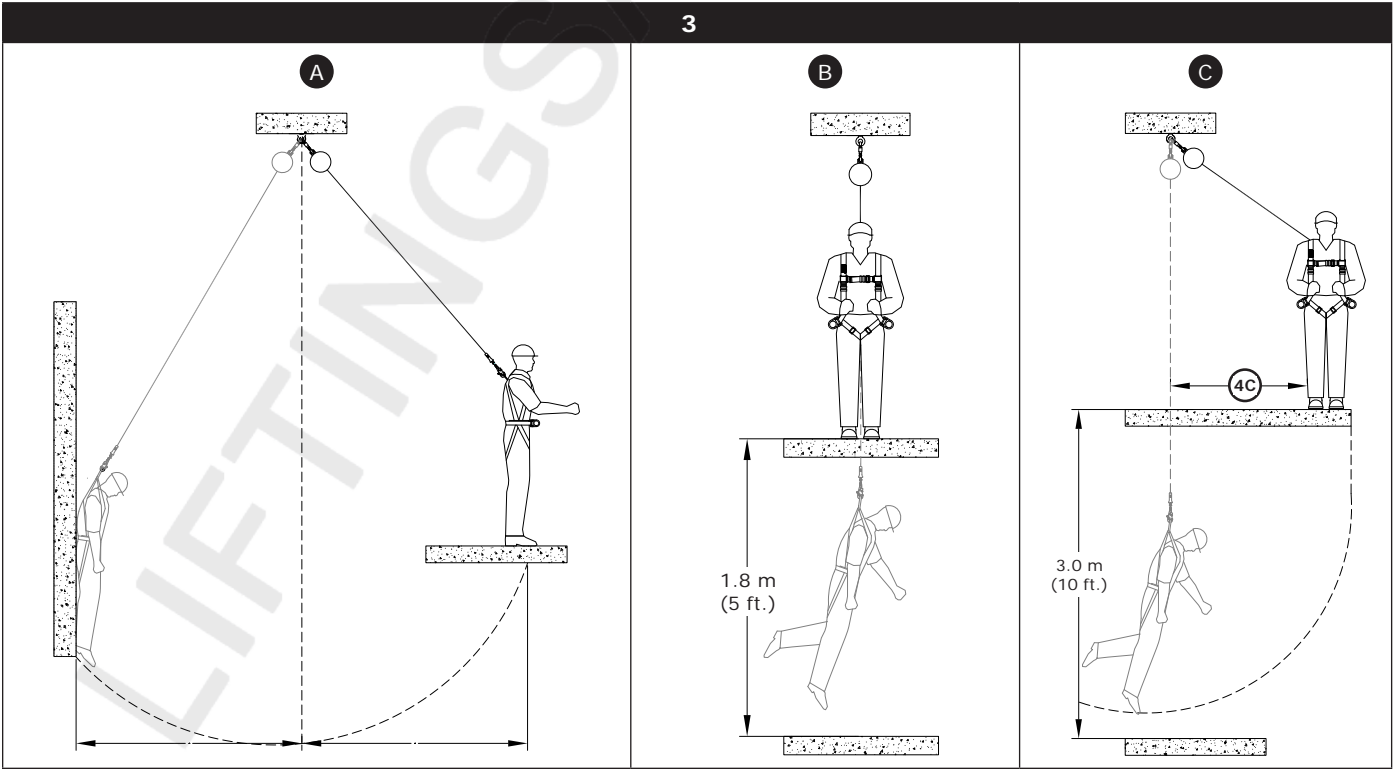
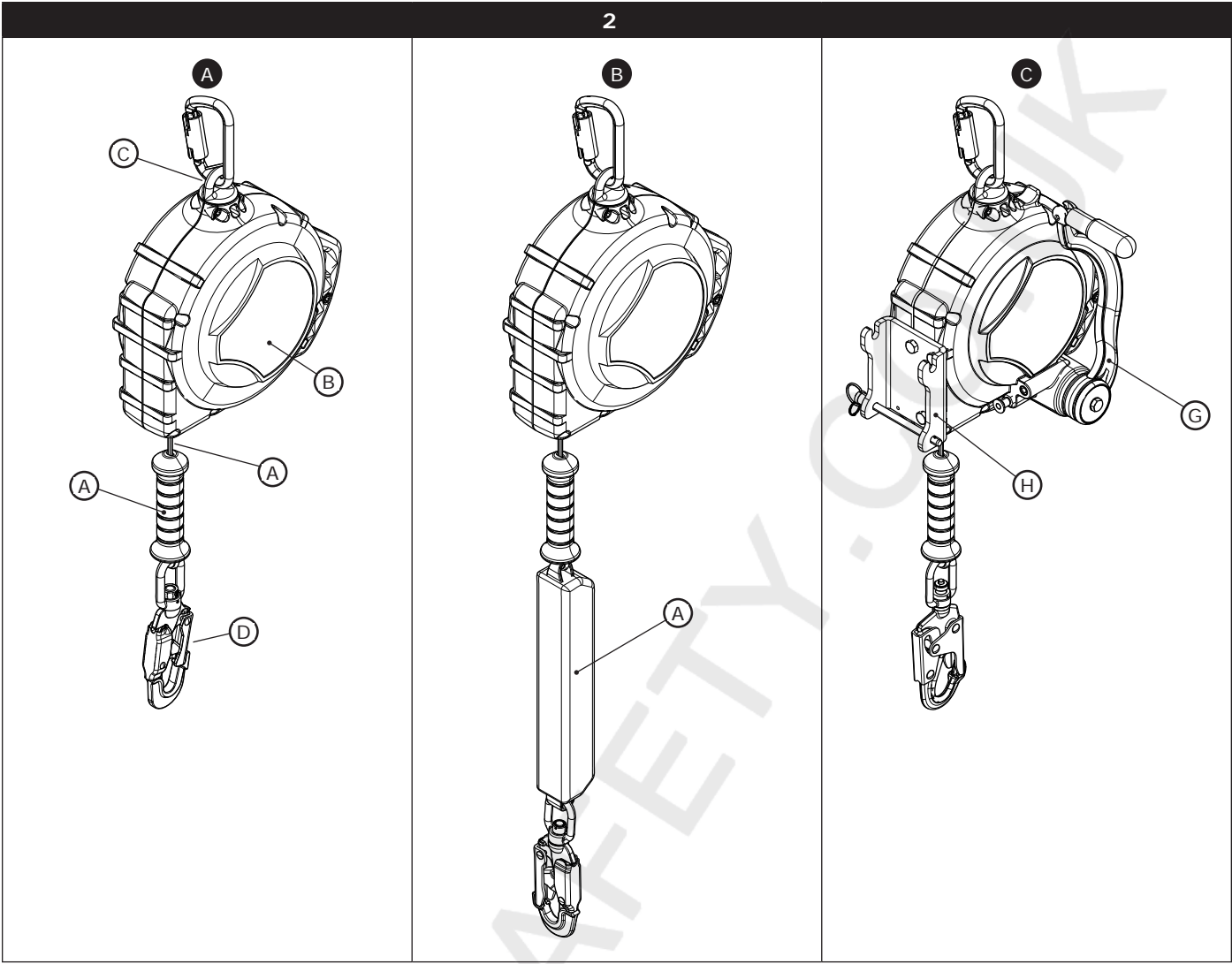
1

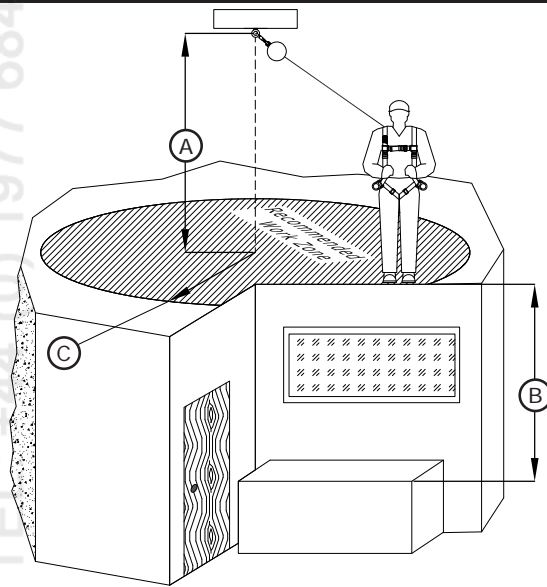
	Rebel	EN 360	CNB/P/11.060	EN 1496			LL	L	W	D	 x 1
 <p><b>(A)</b></p>	(A) 3590520	✓			9511070 9511071	9501479 + 2000175	6 m (20 ft)	57.2 cm (22.5 in)	24.9 cm (9.8 in)	11.7 cm (4.6 in)	140 kg (310 lb.)
	(A) 3590530	✓			9520021 9520022	9501479 + 2000175	6 m (20 ft)	57.2 cm (22.5 in)	24.9 cm (9.8 in)	11.7 cm (4.6 in)	140 kg (310 lb.)
	(A) 3590538	✓			9511070 9511071	9501613 + 2100044	6 m (20 ft)	57.2 cm (22.5 in)	24.9 cm (9.8 in)	11.7 cm (4.6 in)	140 kg (310 lb.)
	(A) 3590539	✓			9511070 9511071	9501613 + 2000018	6 m (20 ft)	57.2 cm (22.5 in)	24.9 cm (9.8 in)	11.7 cm (4.6 in)	140 kg (310 lb.)
 <p><b>(B)</b></p>	(B) 3590542	✓	✓		9511070 9511071	9501087 + 2000175	6 m (20 ft)	106.7 (42.0 in)	24.9 cm (9.8 in)	11.7 cm (4.6 in)	140 kg (310 lb.)
	(A) 3590521	✓			9511070 9511071	9501479 + 2000175	10 m (33 ft)	57.2 cm (22.5 in)	24.9 cm (9.8 in)	11.7 cm (4.6 in)	140 kg (310 lb.)
	(A) 3590522	✓			9511070 9511071	9501613 + 2000175	10 m (33 ft)	57.2 cm (22.5 in)	24.9 cm (9.8 in)	11.7 cm (4.6 in)	140 kg (310 lb.)
	(A) 3590531	✓			9520021 9520022	9501479 + 2000175	10 m (33 ft)	57.2 cm (22.5 in)	24.9 cm (9.8 in)	11.7 cm (4.6 in)	140 kg (310 lb.)
	(A) 3590532	✓			9520021 9520022	9501613 + 2000175	10 m (33 ft)	57.2 cm (22.5 in)	24.9 cm (9.8 in)	11.7 cm (4.6 in)	140 kg (310 lb.)
	(B) 3590545	✓	✓		9520044 9520045	9501087 + 2000175	12 m (39.4 ft)	106.7 cm (42.0 in)	28.3 cm (11.1 in)	11.7 cm (4.6 in)	140 kg (310 lb.)
	(A) 3590570	✓			9520044 9520045	9501479 + 2000175	15 m (50 ft)	60.5 cm (23.8 in)	28.3 cm (11.1 in)	11.7 cm (4.6 in)	140 kg (310 lb.)
	(A) 3590571	✓			9520044 9520045	9501613 + 2000175	15 m (50 ft)	60.5 cm (23.8 in)	28.3 cm (11.1 in)	11.7 cm (4.6 in)	140 kg (310 lb.)
	(A) 3590572	✓			9520044 9520045	9501613 + 2100044	15 m (50 ft)	60.5 cm (23.8 in)	28.3 cm (11.1 in)	11.7 cm (4.6 in)	140 kg (310 lb.)
	(A) 3590573	✓			9520044 9520045	9501613 + 2000170	15 m (50 ft)	60.5 cm (23.8 in)	28.3 cm (11.1 in)	11.7 cm (4.6 in)	140 kg (310 lb.)
 <p><b>(C)</b></p>	(A) 3590574	✓			9520044 9520045	9501613 + 2100044	15 m (50 ft)	60.5 cm (23.8 in)	28.3 cm (11.1 in)	11.7 cm (4.6 in)	140 kg (310 lb.)
	(A) 3590580	✓			9520046 9520047	9501479 + 2000175	15 m (50 ft)	60.5 cm (23.8 in)	28.3 cm (11.1 in)	11.7 cm (4.6 in)	140 kg (310 lb.)
	(A) 3590581	✓			9520046 9520047	9501613 + 2000175	15 m (50 ft)	60.5 cm (23.8 in)	28.3 cm (11.1 in)	11.7 cm (4.6 in)	140 kg (310 lb.)
	(C) 3591002	✓		✓	9508320 9520047	9501479 + 2000175	15 m (50 ft)	60.5 cm (23.8 in)	28.3 cm (11.1 in)	17.8 cm (7.0 in)	140 kg (310 lb.)
	(C) 3591003	✓		✓	9508320 9520047	9501613 + 2000175	15 m (50 ft)	60.5 cm (23.8 in)	28.3 cm (11.1 in)	17.8 cm (7.0 in)	140 kg (310 lb.)
	EN1496										



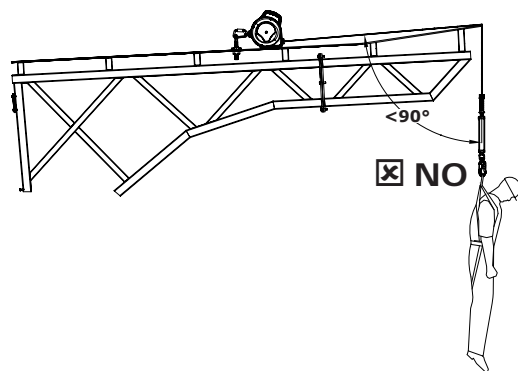
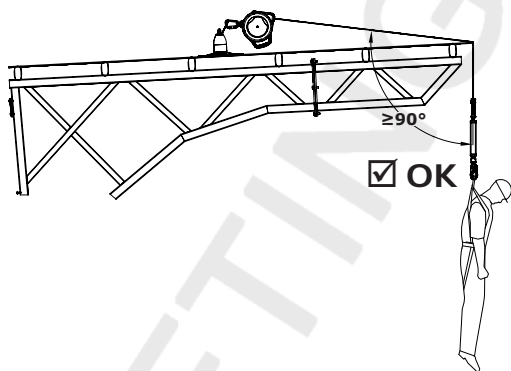
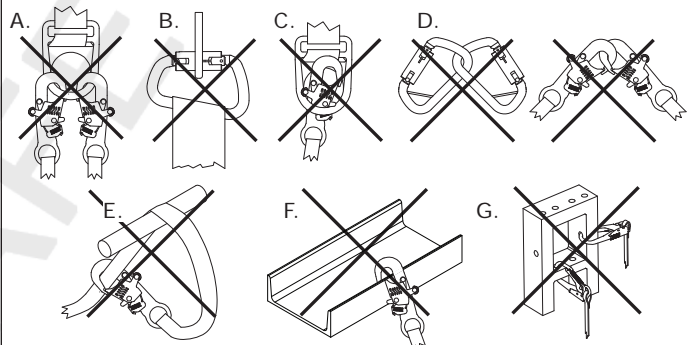
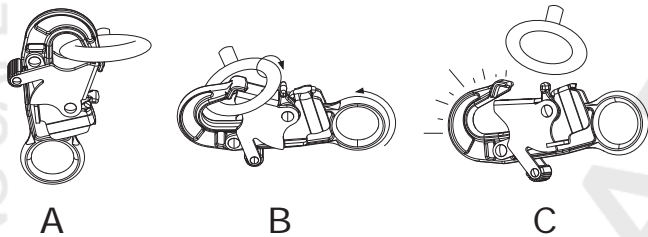


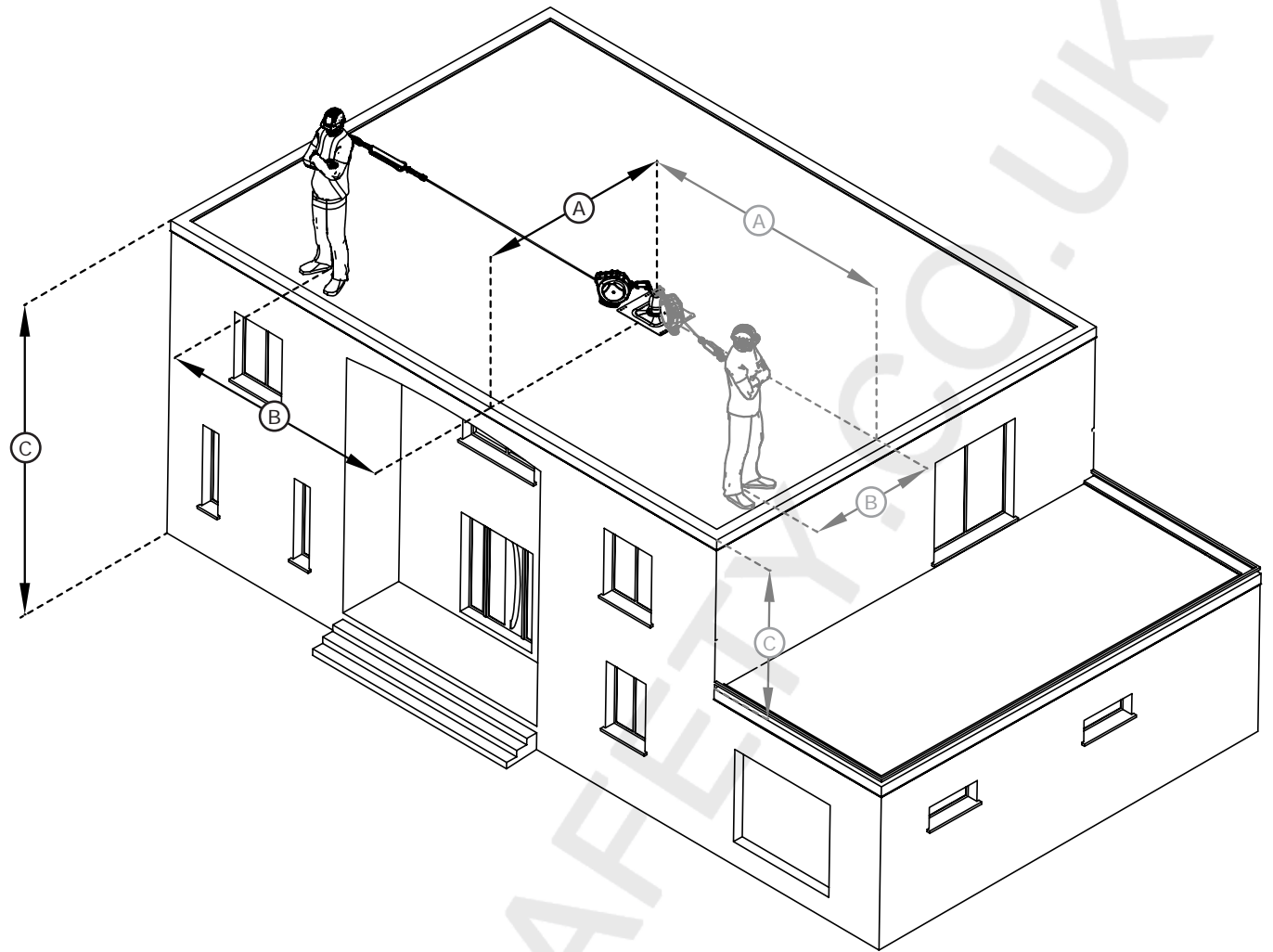
	Rebel	EN 360	CNB/P/ 11.060	EN 1496			LL	L	W	D	 x 1
(A)	3590610	✓			9520056 9520057	9501479 + 2000175	20 m (66 ft)	116.8 cm (46.0 in)	32.8 cm (12.9 in)	14.0 cm (5.5 in)	140 kg (310 lb.)
(A)	3590611	✓			9520056 9520057	9501613 + 2000175	20 m (66 ft)	116.8 cm (46.0 in)	32.8 cm (12.9 in)	14.0 cm (5.5 in)	140 kg (310 lb.)
(A)	3590613	✓			9520056 9520057	9501614 + 2100127	20 m (66 ft)	116.8 cm (46.0 in)	32.8 cm (12.9 in)	14.0 cm (5.5 in)	140 kg (310 lb.)
(A)	3590620	✓			9520058 9520059	9501479 + 2000175	20 m (66 ft)	65.3 cm (25.7 in)	32.8 cm (12.9 in)	14.0 cm (5.5 in)	140 kg (310 lb.)
(A)	3590621	✓			9520058 9520059	9501613 + 2000175	20 m (66 ft)	65.3 cm (25.7 in)	32.8 cm (12.9 in)	14.0 cm (5.5 in)	140 kg (310 lb.)
(A)	3590622	✓			9520058 9520059	9501479 + 2000175	20 m (66 ft)	65.3 cm (25.7 in)	32.8 cm (12.9 in)	14.0 cm (5.5 in)	140 kg (310 lb.)
(A)	3590650	✓			9520056 9520057	9501479 + 2000175	25 m (82 ft)	116.8 cm (46.0 in)	32.8 cm (12.9 in)	14.0 cm (5.5 in)	140 kg (310 lb.)
(A)	3590651	✓			9520056 9520057	9501613 + 2000175	25 m (82 ft)	116.8 cm (46.0 in)	32.8 cm (12.9 in)	14.0 cm (5.5 in)	140 kg (310 lb.)
(A)	3590660	✓			9520058 9520059	9501479 + 2000175	25 m (82 ft)	65.3 cm (25.7 in)	32.8 cm (12.9 in)	14.0 cm (5.5 in)	140 kg (310 lb.)
(A)	3590661	✓			9520058 9520059	9501613 + 2000175	25 m (82 ft)	65.3 cm (25.7 in)	32.8 cm (12.9 in)	14.0 cm (5.5 in)	140 kg (310 lb.)
(A)	3590623	✓			9520058 9520059	9501479 + 2000175	30 m (100 ft)	65.3 cm (25.7 in)	32.8 cm (12.9 in)	14.0 cm (5.5 in)	140 kg (310 lb.)
(A)	3590675	✓			9520056 9520057	9501479 + 2000126	30 m (100 ft)	116.8 cm (46.0 in)	32.8 cm (12.9 in)	14.0 cm (5.5 in)	140 kg (310 lb.)
(A)	3590690	✓			9520056 9520057	9501479 + 2000175	30 m (100 ft)	116.8 cm (46.0 in)	32.8 cm (12.9 in)	14.0 cm (5.5 in)	140 kg (310 lb.)
(A)	3590691	✓			9520056 9520057	9501613 + 2000175	30 m (100 ft)	116.8 cm (46.0 in)	32.8 cm (12.9 in)	14.0 cm (5.5 in)	140 kg (310 lb.)
(A)	3590692	✓			9520056 9520057	9501613 + 2000170	30 m (100 ft)	116.8 cm (46.0 in)	32.8 cm (12.9 in)	14.0 cm (5.5 in)	140 kg (310 lb.)
(A)	3590700	✓			9520058 9520059	9501479 + 2000175	30 m (100 ft)	65.3 cm (25.7 in)	32.8 cm (12.9 in)	14.0 cm (5.5 in)	140 kg (310 lb.)
(A)	3590701	✓			9520058 9520059	9501613 + 2000175	30 m (100 ft)	65.3 cm (25.7 in)	32.8 cm (12.9 in)	14.0 cm (5.5 in)	140 kg (310 lb.)





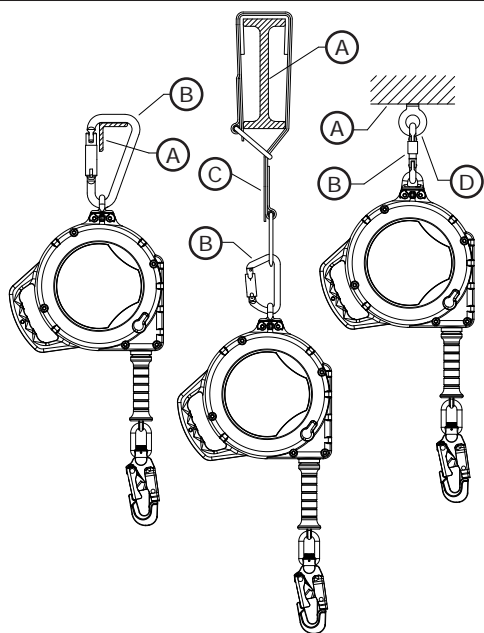
User Weight: 130 - 310 lb. (59 - 140 kg)		B					
		<1.8 m (6 ft.)	1.8 m (6 ft.)	2.1 m (7 ft.)	2.4 m (8 ft.)	2.7 m (9 ft.)	≥3 m (10 ft.)
A	2.4 m (8 ft.)	X	0 m (0 ft.)	0.76 m (2.5 ft.)	1.16 m (3.8 ft.)	1.52 m (5 ft.)	1.86 m (6.1 ft.)
	3 m (10 ft.)	X	0 m (0 ft.)	0.98 m (3.2 ft.)	1.43 m (4.7 ft.)	1.86 m (6.1 ft.)	2.23 m (7.3 ft.)
	6.1 m (20 ft.)	X	0 m (0 ft.)	1.68 m (5.5 ft.)	2.41 m (7.9 ft.)	2.99 m (9.8 ft.)	3.51 m (11.5 ft.)
	9.1 m (30 ft.)	X	0 m (0 ft.)	2.16 m (7.1 ft.)	3.08 m (10.1 ft.)	3.81 m (12.5 ft.)	4.45 m (14.6 ft.)
	15.2 m (50 ft.)	X	0 m (0 ft.)	2.90 m (9.5 ft.)	4.11 m (13.5 ft.)	5.06 m (16.6 ft.)	5.88 m (19.3 ft.)
	21.3 m (70 ft.)	X	0 m (0 ft.)	3.47 m (11.4 ft.)	4.94 m (16.2 ft.)	6.07 m (19.9 ft.)	7.04 m (23.1 ft.)
	27.4 m (90 ft.)	X	0 m (0 ft.)	3.96 m (13 ft.)	5.64 m (18.5 ft.)	6.92 m (22.7 ft.)	8.02 m (26.3 ft.)
	30.5 m (100 ft.)	X	0 m (0 ft.)	X	X	X	X
C							



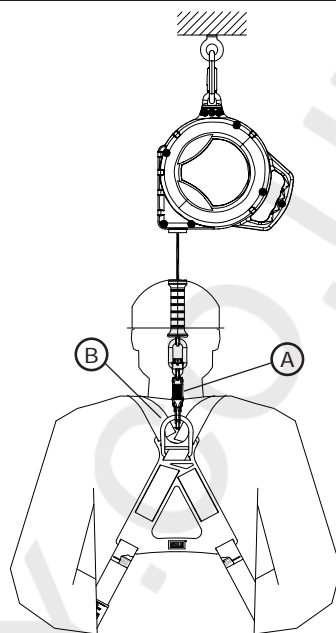


User Weight: 130 - 310 lb. (59 - 140 kg)		ⓑ							
		0.00 m (0 ft.)	0.61 m (2 ft.)	1.52 m (5 ft.)	3.05 m (10 ft.)	4.57 m (15 ft.)	6.1 m (20 ft.)	7.62 m (25 ft.)	>7.62 m (>25 ft.)
ⓐ	0.61 m (2 ft.)	5.03 m (16.5 ft.)	5.28 m (17.3 ft.)						
	1.52 m (5 ft.)	5.03 m (16.5 ft.)	5.15 m (16.9 ft.)	5.66 m (18.6 ft.)					
	3.05 m (10 ft.)	5.03 m (16.5 ft.)	5.09 m (16.7 ft.)	5.39 m (17.7 ft.)	6.29 m (20.6 ft.)				
	4.57 m (15 ft.)	5.03 m (16.5 ft.)	5.06 m (16.6 ft.)	5.28 m (17.3 ft.)	5.95 m (19.5 ft.)	6.92 m (22.7 ft.)			
	6.1 m (20 ft.)	5.03 m (16.5 ft.)	5.06 m (16.6 ft.)	5.22 m (17.1 ft.)	5.75 m (18.9 ft.)	6.55 m (21.5 ft.)	7.55 m (24.8 ft.)		
	7.62 m (25 ft.)	5.03 m (16.5 ft.)	5.06 m (16.6 ft.)	5.18 m (17 ft.)	5.62 m (18.4 ft.)	6.3 m (20.7 ft.)	7.17 m (23.5 ft.)	8.19 m (26.9 ft.)	
	9.14 m (30 ft.)	5.03 m (16.5 ft.)	5.06 m (16.6 ft.)	5.16 m (16.9 ft.)	5.52 m (18.1 ft.)	6.11 m (20 ft.)	6.87 m (22.6 ft.)	7.79 m (25.6 ft.)	
	10.67 m (35 ft.)	5.03 m (16.5 ft.)	5.06 m (16.6 ft.)	5.16 m (16.9 ft.)	5.46 m (17.9 ft.)	5.97 m (19.6 ft.)	6.65 m (21.8 ft.)	7.47 m (24.5 ft.)	
	12.19 m (40 ft.)	5.03 m (16.5 ft.)	5.04 m (16.5 ft.)	5.12 m (16.8 ft.)	5.4 m (17.7 ft.)	5.86 m (19.2 ft.)	6.47 m (21.2 ft.)	7.21 m (23.7 ft.)	
		ⓒ							

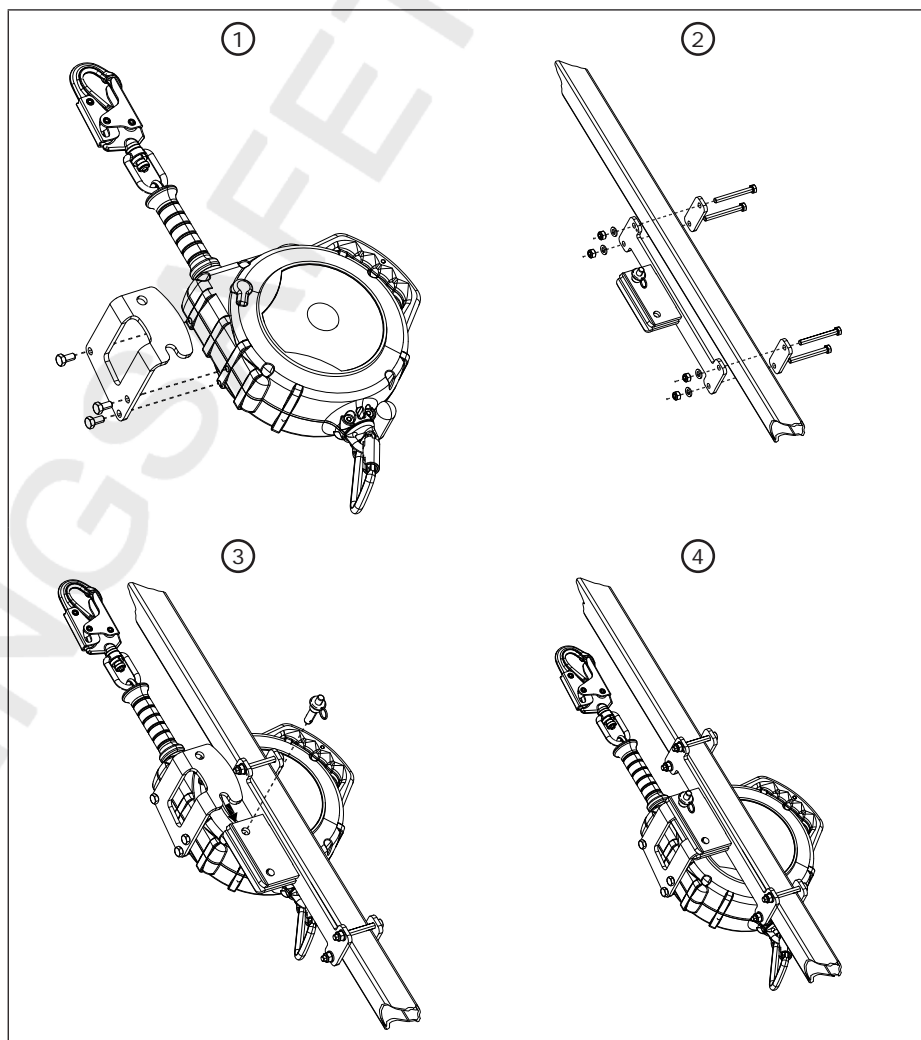
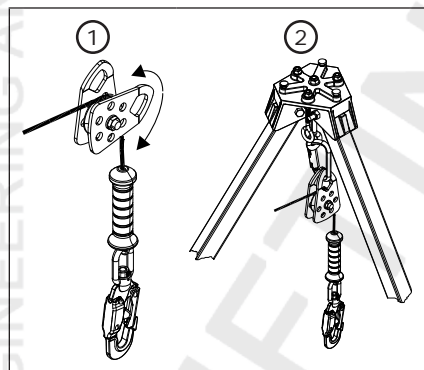
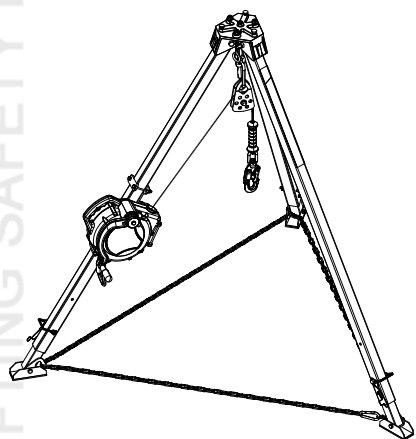
9



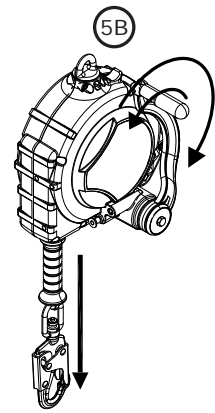
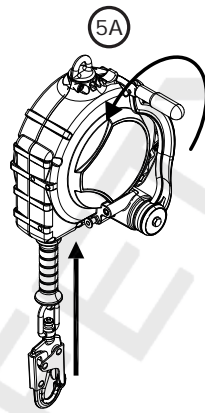
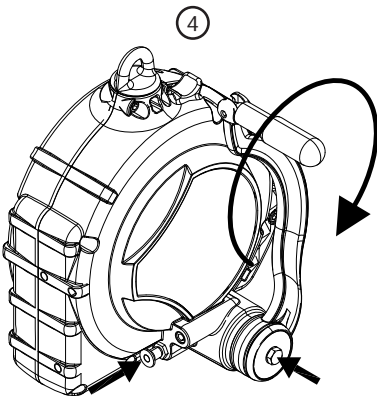
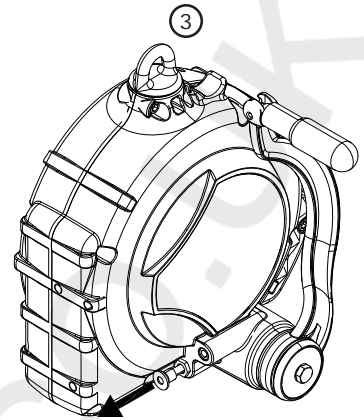
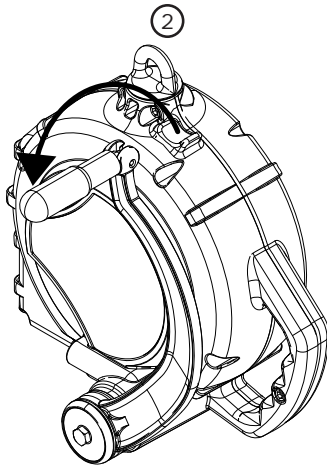
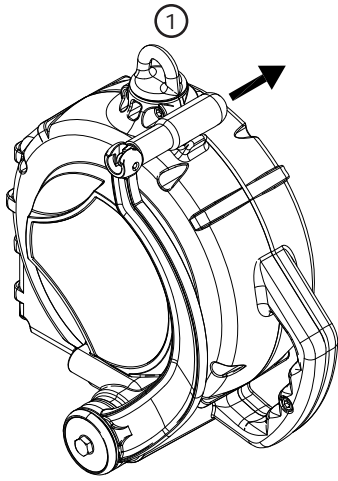
10



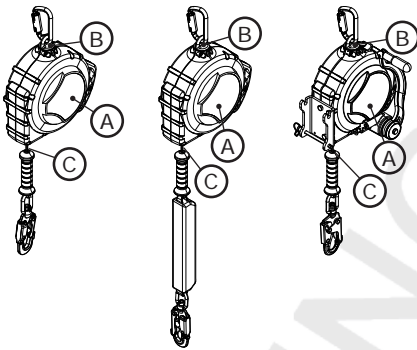
11



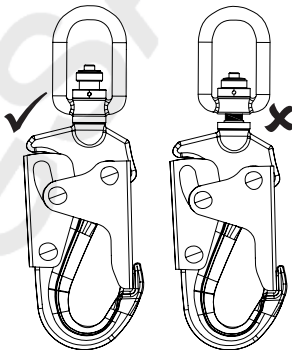
12



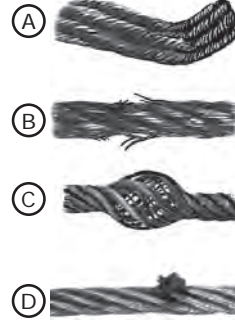
13



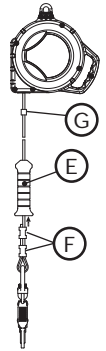
14



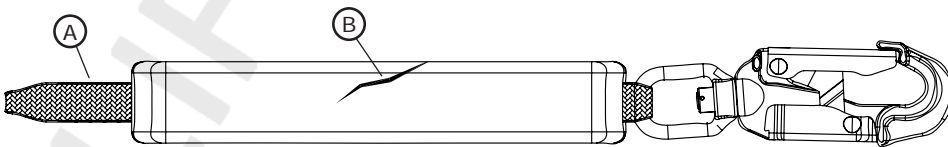
15



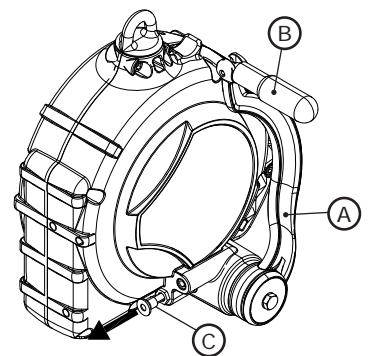
16

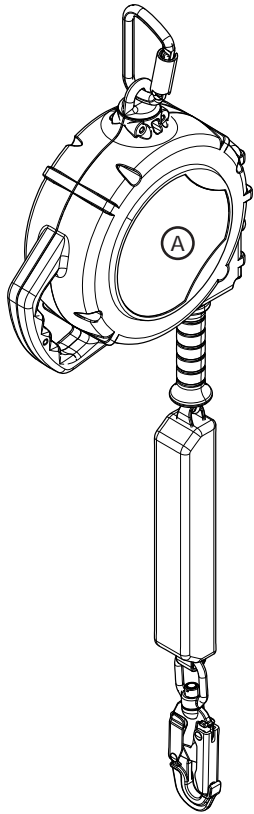


17



18





(A)

3M.com/FallProtection

**CE 2797**  
EN 360: 2002

EN TC 019/2011  
ГОСТ Р 51360-2008

Next Inspection

13 14 15 16

20XX 18 19 20 21 22 23 24 25 26 27

Страховочное устройство с вязяным тросом Red Wing, MN 55066, USA

<p>17 MFRD (YR/MO): Дата изг.:</p> <p>18 LOT: Партия:</p> <p>19 MODEL NO: Номер модели:</p> <p>20 LENGTH (m): длина (м):</p> <p>21 SERIAL NO: серийный номер:</p>	<p>1 </p> <p>2 </p> <p>3 </p> <p>4A </p> <p>4B </p> <p>5 </p> <p>6 </p> <p>7 </p> <p>8 </p> <p>9 </p> <p>10 </p> <p>11 </p> <p>12 </p>
---	--

TYPE A - Models 3500050, 3590545, & 3500542

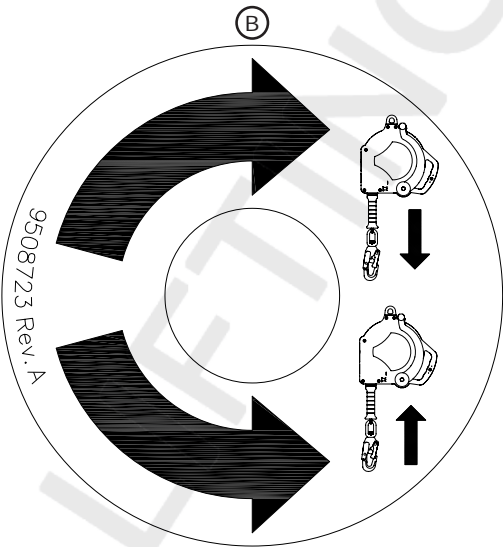
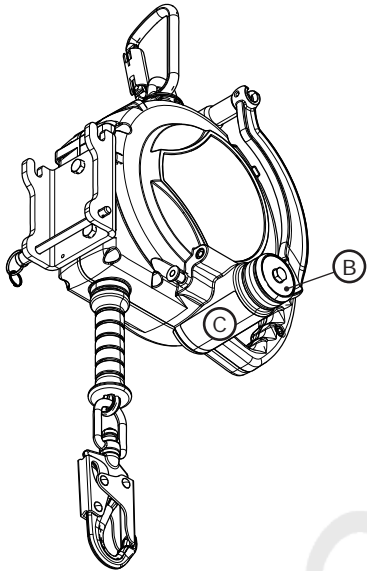
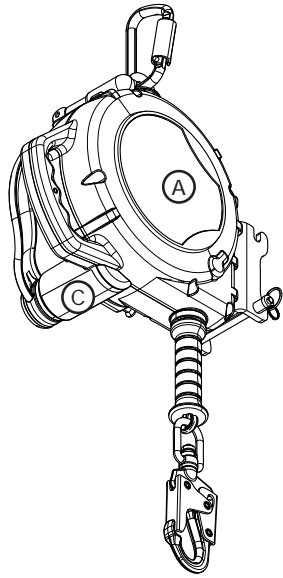
9505934  
Rev. N

SELBY ENGINEERING AND LIFTING SAFETY LTD. TEL: +44 (0)1977 684 600

LIFTINGSAFETYUK



SELBY ENGINEERING AND LIFTING SAFETY LTD. TEL: +44 (0) 1977 684 600



(A)

Red Wing, MN 55066, USA  
3M.com/FallProtection

(13) (14) **CE 2797**

Next Inspection 

01	02	03	04	05	06	07	08	09	10	11	12	(15)
20XX	18	19	20	21	22	23	24	25	26	27	(16)	

---

MFRD (YR/MO): (17)    LOT: (18)    MODEL NO: (19)    LENGTH (m): (20)    SERIAL NO: (21)

1

2 TAC OK

3

4 OK

5 +60°C  
0°C  
-40°C OK

6 140 KG MAXI. KG

7 No sharp objects

8 30° MAXI.

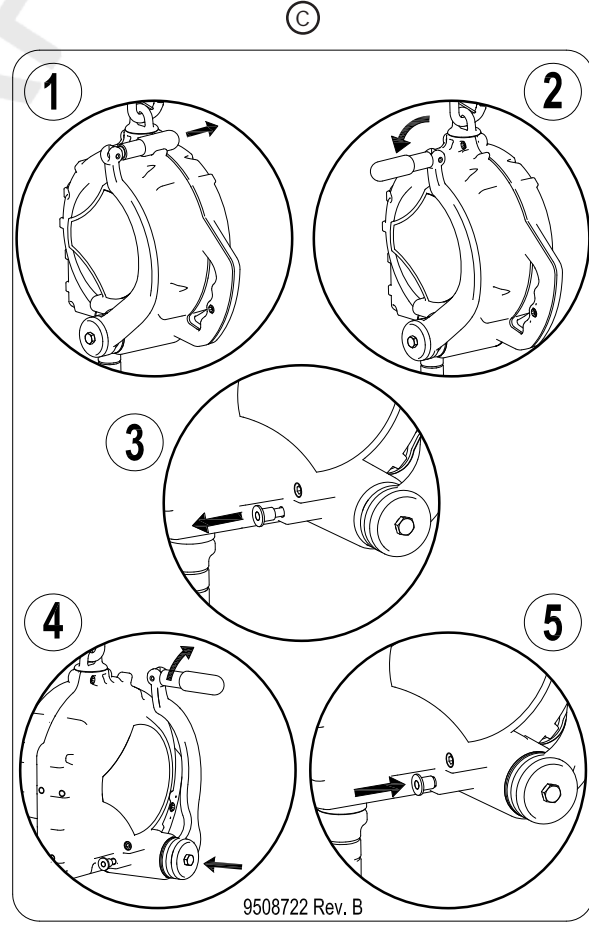
9 No tools

10 No sun/ice

11 No rotation

12 No twisting

9508721 Rev. F



# SAFETY INFORMATION

Please read, understand, and follow all safety information contained in these instructions prior to the use of this product. FAILURE TO DO SO COULD RESULT IN SERIOUS INJURY OR DEATH.

These instructions must be provided to the user of this equipment. Retain these instructions for future reference.

## Intended Use:

This product is used as part of a complete Fall Protection system.

Use in any other application including, but not limited to, material handling, recreational or sports related activities, or other activities not described in these instructions, is not approved by 3M and could result in serious injury or death.

This product is only to be used by trained users in workplace applications.



## WARNING

This product is used as part of a complete Fall Protection system. All users must be fully trained in the safe installation and operation of their complete Fall Protection system. **Misuse of this product could result in serious injury or death.** For proper selection, operation, installation, maintenance, and service, refer to all instruction manuals and manufacturer recommendations. For more information, see your supervisor or contact 3M Technical Services.

• **To reduce the risks associated with using a Self-Retracting Device which, if not avoided, could result in serious injury or death:**

- Inspect the product before each use and after any fall event, in accordance with the procedures specified in these instructions.
- If inspection reveals an unsafe or defective condition, remove the product from service immediately and clearly tag it "DO NOT USE". Destroy or repair the product as required by these instructions.
- Any product that has been subject to fall arrest or impact force must be immediately removed from service. Destroy or repair the product as required by these instructions.
- Ensure that Fall Protection systems assembled from components made by different manufacturers are compatible and meet all applicable Fall Protection regulations, standards, or requirements. Always consult a Competent or Qualified Person before using these systems.
- Ensure the lifeline is kept free from all hazards including, but not limited to: entanglement with users, other workers, moving machinery, other surrounding objects, or impact from overhead objects that could fall onto the lifeline or users.
- Do not twist, tie, knot, or allow slack in the lifeline.
- Avoid trip hazards with legs of the lifeline. If equipped, attach any unused legs of the lifeline to the lanyard parking attachment elements.
- Do not exceed the number of allowable users specified in these instructions.
- Do not use in applications that have an obstructed fall path. A clear path is required to lock the SRD. Working on slowly shifting materials (e.g. sand or grain), or within confined spaces or limited spaces, may not allow the worker to reach sufficient speed to lock the SRD.
- Avoid sudden or quick movements during work operation because this may cause the SRD to unintentionally lock.
- Use caution when installing, using, or moving the product as moving parts may create pinch points.
- Use appropriate edge protection when the lifeline may contact sharp edges or abrasive surfaces.
- Immediately remove the product from service if it has been used in a descent.
- Before use, ensure the descent path and landing area are clear of any obstructions or hazards.
- Ensure the product is configured and installed properly for safe operation as described in these instructions.

• **To reduce the risks associated with working at height which, if not avoided, could result in serious injury or death:**

- Your health and physical condition must allow you to safely work at height and to withstand all forces associated with a fall arrest event. Consult your doctor if you have questions regarding your ability to use this equipment.
- Never exceed allowable capacity of your Fall Protection equipment.
- Never exceed the maximum free fall distance specified for your Fall Protection equipment.
- Do not use any Fall Protection equipment that fails inspection, or if you have concerns about the use or suitability of the equipment. Contact 3M Technical Services with any questions.
- Some subsystem and component combinations may interfere with the operation of this equipment. Only use compatible connections. Contact 3M Technical Services prior to using this equipment in combination with components or subsystems other than those described in these instructions.
- Use extra precautions when working around moving machinery, electrical hazards, extreme temperatures, chemical hazards, explosive or toxic gases, sharp edges, abrasive surfaces, or below overhead materials that could fall onto you or your Fall Protection equipment.
- Ensure use of your product is rated for the hazards present in your work environment.
- Ensure there is sufficient fall clearance when working at height.
- Never modify or alter your Fall Protection equipment. Only 3M, or persons authorized in writing by 3M, may make repairs to 3M equipment.
- Before using Fall Protection equipment, ensure a written rescue plan is in place to provide prompt rescue if a fall incident occurs.
- If a fall incident occurs, immediately seek medical attention for the fallen worker.
- Only use a full body harness for fall arrest applications. Do not use a body belt.
- Minimize swing falls by working as directly below the anchorage point as possible.
- A secondary Fall Protection system must be used when training with this product. Trainees must not be exposed to an unintended fall hazard.
- Always wear appropriate Personal Protective Equipment when installing, using, or inspecting the product.
- Never work below a suspended load or worker.
- Always maintain 100% tie-off.

Before using this equipment, record the product identification information from the ID label in the 'Inspection and Maintenance Log' at the back of this manual.

Always ensure you are using the latest revision of your 3M instruction manual. Visit the 3M website or contact 3M Technical Services for updated instruction manuals.


**DESCRIPTION:**

Figure 2 identifies key components of the Protecta Rebel Self-Retracting Devices (SRDs). Rebel SRDs are drum wound Wire Rope Lifelines (A) which retract into a thermoplastic or aluminum Housing (B). They can hang from anchorage by a Carabiner attached through the Swivel Eye (C) on the top of the SRD. A Self-Locking Snap Hook (D) on the end of the Lifeline attaches to the designated Fall Arrest connection on a Full Body Harness. A Bumper (E), protects the Wire Rope and Ferrules securing the Snap Hook from abrasion and corrosion.


Figure 1 defines the Rebel SRD models covered by this instruction manual. The following SRD Types are available:

- **Self-Retracting Device (Figure 2A):** Self-Retracting Devices (SRDs) are suitable for applications where the lifeline remains generally vertical during use and possible Free Fall is limited to 0.6 m (2 ft.).
- **Self-Retracting Device with Leading Edge (Figure 2B):** Self-Retracting Devices with Leading Edge (SRD-LEs) are suitable for applications where the lifeline remains generally horizontally during use and possible Free Fall is limited to 1.5 m (5 ft). SRD-LEs have an integral Energy Absorber (F), or similar component, to withstand impact loading of the lifeline over a sharp or abrasive edge during fall arrest and minimize fall arrest forces on the user.
- **Self-Retracting Device with Rescue (Figure 2C):** Self-Retracting Devices with Rescue (SRD-Rs) include an integral means for assisted rescue by raising or lowering the rescue subject. SRD-Rs are equipped with a 3-Way Emergency Retrieval Hand Crank (G). Some models may include a Tripod Mounting Bracket (H) to mount the SRD-R on the leg of a Tripod for Confined Space applications.

**Table 1 – Specifications**

				
Casing Halves	Material			
9508320 + 9520047	Aluminum - 15 m (50 ft.) SRD-Rs			
9511070 + 9511071	Thermoplastic - 6 m (20 ft.) SRDs, 10 m (33 ft.) SRDs, and 6 m (20 ft.) Leading Edge SRD-LEs			
9520021 + 9520022	Aluminum - 6 m (20 ft.) and 10 m (33 ft.) SRDs			
9520044 + 9520045	Thermoplastic - 15 m (50 ft.) SRDs and 10 m (33 ft.) Leading Edge SRD-LEs			
9520046 + 9520047	Aluminum - 15 m (50 ft.) SRDs			
9520056 + 9520057	Thermoplastic - 20 m (66 ft.), 25 m (82 ft.), 30 m (100 ft.) SRDs			
9520058 + 9520059	Aluminum - 20 m (66 ft.), 25 m (82 ft.), and 30 m (100 ft.) SRDs			

			
Lifeline	Description	Hook	
9501087 + 2000175	5.56 mm (7/32 in.) galvanized steel wire rope, self locking alloy steel swiveling snap hook with indicator.	2000175	
9501479 + 2000175	4.76 mm (3/16 in.) galvanized steel wire rope, self locking alloy steel swiveling snap hook with indicator.	2000175	
9501613 + 2000170	4.76 mm (3/16 in.) stainless steel wire rope, self locking stainless steel swiveling carabiner with indicator.	2000170	
9501613 + 2000175	4.76 mm (3/16 in.) stainless steel wire rope, self locking alloy steel swiveling snap hook with indicator.	2000175	
9501613 + 2100044	4.76 mm (3/16 in.) stainless steel wire rope, self locking stainless steel swiveling snap hook with indicator.	2100044	

Hook	Description	Material	Gate Strength	Throat Size
2000170	Swiveling Self-Locking Carabiner with Impact Indicator	Stainless Steel	16 kN (3,600 lbf)	1.9 cm (.75 in.)
2000175	Swiveling Self-Locking Snap Hook with Impact Indicator	Zinc Plated Steel	16 kN (3,600 lbf)	1.9 cm (.75 in.)
2100044	Swiveling Self-Locking Snap Hook with Impact Indicator	Stainless Steel	16 kN (3,600 lbf)	1.9 cm (.75 in.)

<b>Wire Rope Lifeline Tensile Strength:</b>	9501479 - 4.76 mm (3/16 in.) dia. Galvanized Steel Min. Tensile Strength 18.7 kN (4,200 lbf) 9501613 - 4.76 mm (3/16 in.) dia. Stainless Steel Min. Tensile Strength 16.0 kN (3,600 lbf) 9501087 - 5.55 mm (7/32 in.) dia. Galvanized Steel Min. Tensile Strength 24.9 kN (5,600 lbf)
<b>SRD-R Maximum Lifting Load:</b>	135 kg (298 lb.)
<b>Anchorage Strength</b>	12 kN (2,697 lbf)

**Table 1 – Specifications**

<b>SRD Specifications</b>	<b>CE Models (EN 360)</b>
<b>Capacity Range:</b>	59 kg - 140 kg (130 lb. - 310 lb.)
<b>Maximum Arresting Force:</b>	6 kN (1,350 lbf)
<b>Average Arresting Force:</b>	4.0 kN (900 lbf)
<b>Maximum Arrest Distance:</b> <i>*Assumes the SRD is mounted directly above the user.</i>	1.1 m (42 in.)
<b>Minimum Fall Clearance Required:</b> <i>*Assumes the SRD is mounted directly above the user.</i>	1.8 m (6 ft)
<b>Maximum Free Fall:</b> <i>*SRD must be mounted above user's D-ring.</i>	0.6 m (2 ft)

<b>SRD-LE Specifications</b>	<b>CE Models (EN 360 + CNB/P/11.060)</b>
<b>Capacity Range:</b>	59 kg - 140 kg (130 lb. - 310 lb.)
<b>Maximum Arresting Force:</b>	6 kN (1,350 lbf)
<b>Average Arresting Force:</b>	4 kN (900 lbf)
<b>Maximum Arrest Distance:</b> <i>*Assumes the SRD is mounted directly above the user.</i>	1.1 m (42 in.)
<b>Minimum Fall Clearance Required:</b>	Vertical: 1.8 m (6 ft.) Horizontal: 5.03 m (16.5 ft.)
<b>Maximum Free Fall:</b> <i>*SRD must be mounted above user's D-ring.</i>	0.6 m (2 ft)
<b>Maximum Free Fall - LE:</b> <i>*Measured from user's D-ring to working surface.</i>	1.5 m (5 ft)

## 1.0 APPLICATIONS

- 1.1 PURPOSE:** 3M Self-Retracting Devices (SRDs) are designed to be a component in a personal fall arrest system (PFAS). Figure 1 illustrates SRDs covered by this instruction manual and their typical applications. They may be used in most situations where a combination of worker mobility and fall protection is required (i.e. inspection work, general construction, maintenance work, oil production, confined space work, etc.).
- 1.2 STANDARDS:** Your SRD conforms to the national or regional standard(s) identified on the front cover of these instructions. If this product is resold outside the original country of destination, the re-seller must provide these instructions in the language of the country in which the product will be used.
- 1.3 TRAINING:** This equipment is intended to be used by persons trained in its correct application and use. It is the responsibility of the user to assure they are familiar with these instructions and are trained in the correct care and use of this equipment. Users must also be aware of the operating characteristics, application limits, and the consequences of improper use.
- 1.4 LIMITATIONS:** Always consider the following limitations and requirements when installing or using this equipment:
- **Capacity:** This SRD has been compliance tested for use by one person with a combined weight (clothing, tools, etc.) from 59 kg (130 lb.) to 140 kg (310 lb.).<sup>1</sup> Make sure all of the components in your system are rated to a capacity appropriate to your application.
  - **Anchorage:** Anchorage requirements vary with the fall protection application. Structure on which the Self-Retracting Device is placed or mounted must meet the Anchorage specifications defined in Table 1.
  - **Locking Speed:** Situations which do not allow for an unobstructed fall path should be avoided. Working in confined or cramped spaces may not allow the body to reach sufficient speed to cause the SRD to lock if a fall occurs. Working on slowly shifting material, such as sand or grain, may not allow enough speed buildup to cause the SRD to lock. A clear path is required to assure positive locking of the SRD.
  - **Free Fall:** Properly using an SRD in overhead applications will minimize free fall distance. To prevent an increased free fall distance, follow the instructions below:
    - Never clamp, knot, or otherwise prevent the lifeline from retracting or staying taut.
    - Avoid any slack in the lifeline of the SRD.
    - Do not work above the level of your anchorage.
    - Do not lengthen SRDs by connecting a lanyard or similar component without consulting 3M.

For product-specific information relating to free fall and fall clearance values, please refer to Table 1 of this instruction.

- **Swing Falls:** Swing Falls occur when the anchorage point is not directly above the point where a fall occurs. The force of striking an object in a swing fall may cause serious injury (see Figure 3A). Minimize swing falls by working as directly below the anchorage point as possible (Figure 3B). Working away from the anchorage point (Figure 3C) will increase the impact of a swing fall and increase the required Fall Clearance (FC).
- **Fall Clearance:** Figure 3B illustrates Fall Clearance Calculation. Fall Clearance (FC) is the sum of Free Fall (FF), Deceleration Distance (DD) and a Safety Factor (SF):  $FC = FF + DD + SF$ . D-Ring Slide and Harness Stretch are included in the Safety Factor. Fall Clearance values have been calculated and are charted in Figure 4. A Safety Factor of 1 m (3.28 ft) was used for all values in Figure 4.
 

Figures 3B and 3C illustrate Fall Clearance. For falls from a standing position where the SRD is anchored directly overhead (Figure 3B), SRD Fall Arrest Systems should have the minimum Fall Clearances specified in Table 1. Falls from a kneeling or crouching position will require an additional 1 m (3 ft) of Fall Clearance. In a swing fall situation (Figure 3C), the total vertical fall distance will be greater than if the user had fallen directly below the anchorage point and may require additional Fall Clearance. Figure 4 and the accompanying table define the Maximum Work Radius (C) for various SRD Anchorage Heights (A) and Fall Clearances (B). The Recommended Work Zone is limited to the area located within the Maximum Work Radius.
- **Hazards:** Use of this equipment in areas where surrounding hazards exist may require additional precautions to reduce the possibility of injury to the user or damage to the equipment. Hazards may include, but are not limited to: high heat, caustic chemicals, corrosive environments, high voltage power lines, explosive or toxic gases, moving machinery, or overhead materials that may fall and contact the user or fall arrest system. Avoid working where your lifeline may cross or tangle with that of another worker. Avoid working where an object may fall and strike the lifeline; resulting in loss of balance or damage to the lifeline. Do not allow the lifeline to pass under arms or between legs.
- **Sharp Edges:** Avoid working where the lifeline will be in contact with or abrade against unprotected sharp edges. Where contact with a sharp edge is unavoidable, cover the edge with a protective material.

**1 Capacity:** SRDs with 3-Way Retrieval are rated for a Maximum Lifting Load of 135 kg (298 lb.).

## 2.0 USE

- 2.1 RESCUE PLAN:** When using this equipment, the employer must have a written rescue plan and the means at hand to implement it and communicate that plan to users, authorized persons, and rescuers.
- 2.2 INSPECTION FREQUENCY:** SRDs shall be inspected by the authorized person<sup>1</sup> or rescuer<sup>2</sup> before each use (See Table 2). Additionally, inspections shall be conducted by a competent person<sup>3</sup> other than the user at intervals of no more than one year. Extreme working conditions (harsh environment, prolonged use, etc.) may necessitate more frequent competent person inspections. Inspection procedures are described in the “*Inspection and Maintenance Log*” (Table 3). Results of the Competent Person inspection should be recorded in the “*Inspection and Maintenance Log*” or recorded with the RFID system.
- 2.3 NORMAL OPERATIONS:** Normal operation will allow the lifeline to extend and retract with no hesitation or slack as the worker moves at normal speeds. If a fall occurs, a speed sensing brake system will activate, stopping the fall and absorbing much of the energy created. Sudden or quick movements should be avoided during normal work operation, as this may cause the SRD to lock up. For falls which occur near the end of the lifeline travel, a reserve lifeline system or Energy Absorber has been incorporated to reduce the fall arrest forces. If the SRD has been subjected to fall arrest forces: remove it from service, mark or tag as “UNUSABLE”, inspect and service as instructed in Sections 5 and 6.
- 2.4 BODY SUPPORT:** A Full Body Harness must be used with the Self-Retracting Device. The harness connection point must be above the user’s center of gravity. A body belt is not authorized for use with the Self-Retracting Device. If a fall occurs when using a body belt it may cause unintentional release or physical trauma from improper body support.
- 2.5 COMPATIBILITY OF COMPONENTS:** Unless otherwise noted, 3M equipment is designed for use with 3M approved components and subsystems only. Substitutions or replacements made with non approved components or subsystems may jeopardize compatibility of equipment and may affect safety and reliability of the complete system. Follow manufacturer’s instructions for components and subsystems in your personal fall arrest system.
- 2.6 COMPATIBILITY OF CONNECTORS:** Connectors are considered to be compatible with connecting elements when they have been designed to work together in such a way that their sizes and shapes do not cause their gate mechanisms to inadvertently open regardless of how they become oriented. Contact 3M if you have any questions about compatibility.
- Connectors used to suspend the SRD must comply with EN362. Connectors must be compatible with the anchorage or other system components. Do not use equipment that is not compatible. Non-compatible connectors may unintentionally disengage (see Figure 5). Connectors must be compatible in size, shape, and strength. Self-locking snap hooks and carabiners are required. If the connecting element to which a snap hook or carabiner attaches is undersized or irregular in shape, a situation could occur where the connecting element applies a force to the gate of the snap hook or carabiner (A). This force may cause the gate to open (B), allowing the snap hook or carabiner to disengage from the connecting point (C).
- 2.7 MAKING CONNECTIONS:** Snap hooks and carabiners used with this equipment must be self-locking. Ensure all connections are compatible in size, shape and strength. Do not use equipment that is not compatible. Ensure all connectors are fully closed and locked. 3M connectors (snap hooks and carabiners) are designed to be used only as specified in each product’s user’s instructions. See Figure 6 for examples of inappropriate connections. Do not connect snap hooks and carabiners:

- A. To a D-ring to which another connector is attached.
- B. In a manner that would result in a load on the gate. Large throat snap hooks should not be connected to standard size D-rings or similar objects which will result in a load on the gate if the hook or D-ring twists or rotates, unless the snap hook is equipped with a 3,600 lbf (16 kN) gate. Check the marking on your snap hook to verify that it is appropriate for your application.
- C. In a false engagement, where features that protrude from the snap hook or carabiner catch on the anchor, and without visual confirmation seems to be fully engaged to the anchor point.
- D. To each other.
- E. Directly to webbing or rope lanyard or tie-back (unless the manufacturer’s instructions for both the lanyard and connector specifically allows such a connection).
- F. To any object which is shaped or dimensioned such that the snap hook or carabiner will not close and lock, or that roll-out could occur.
- G. In a manner that does not allow the connector to align properly while under load.

**Table 2 – Inspection Schedule**

Type of Use	Application Examples	Conditions of Use	Inspection Frequency
			Competent Person
Infrequent to Light	Rescue and Confined Space, Factory Maintenance	Good Storage Conditions, Indoor or Infrequent Outdoor Use, Room Temperature, Clean Environments	Annually
Moderate to Heavy	Transportation, Residential Construction, Utilities, Warehouse	Fair Storage Conditions, Indoor and Extended Outdoor Use, All Temperatures, Clean or Dusty Environments	Semi-Annually to Annually
Severe to Continuous	Commercial Construction, Oil and Gas, Mining	Harsh Storage Conditions, Prolonged or Continuous Outdoor Use, All Temperatures, Dirty Environment	Quarterly to Semi-Annually

**1 Authorized Person:** A person assigned by the employer to perform duties at a location where the person will be exposed to a fall hazard.

**2 Rescuer:** Person or persons other than the rescue subject acting to perform an assisted rescue by operation of a rescue system.

**3 Competent Person:** An individual designated by the employer to be responsible for the immediate supervision, implementation, and monitoring of the employer’s managed fall protection program who, through training and knowledge, is capable of identifying, evaluating, and addressing existing and potential fall hazards, and who has the employer’s authority to take prompt corrective action with regard to such hazards.

**2.8 SELF-RETRACTING DEVICES WITH LEADING EDGE (SRD-LE):** The SRDs covered by this instruction manual include Self-Retracting Devices with Leading Edge capabilities (SRD-LEs). See Figure 1 for specific SRD-LE models. SRD-LEs were tested for horizontal use and falls over a steel edge without burrs. SRD-LEs may be used in situations where a fall may occur over steel edges, such as found on steel shapes or metal sheeting.

**Leading Edge Precautions:** Observe the following precautions when using SRD-LEs:

- The allowable angle of redirection of the lifeline portion of the SRD-LE at the edge over which a fall might occur (measured between the two sides formed by the redirected lifeline) shall be at least 90 degrees (see Figure 7).
- The anchor point shall be situated at the same height as the edge at which a fall might occur or above the edge. Anchor points below the edge are dangerous because they cause the lifeline to redirect at an angle sharper than 90 degrees (see Figure 7).
- Consult Section 1 for limitations to the allowable work area relative to the anchorage point, including factors such as swing fall and abrasion on the line at the edge and the use of a single anchor point versus anchors that allow horizontal movement (e.g., Horizontal Lifeline or Horizontal Rail).
- SRD-LEs may be used with a Horizontal Lifeline or Horizontal Rail only as instructed in the product instructions for the Horizontal Lifeline or Horizontal Rail.
- Do not work on the far side of an opening opposite the SRD-LE anchorage point.
- In the event of a fall over the edge, special rescue measures may be required.
- When planning your Leading Edge application, be sure work area parameters are within the Minimum Setback Distance, Maximum Free Fall Distance, and Minimum Fall Clearance Required when Falling Over an Edge as indicated on the SRD-LE labeling.

**Leading Edge Fall Clearance Calculation:** The Minimum Fall Clearance Required when Falling Over an Edge can be calculated based on the Setback Distance and Distance Along the Edge of your Leading Edge application (see Figure 8). To calculate Fall Clearance from the table in Figure 8:

1. Select the value closest to your Setback Distance (A) in the left-side row headings.
2. Select the value closest to your working Distance Along the Edge (B) from the top column headings. Shaded areas with no values indicate the Distance Along the Edge is outside of the safe Work Radius for your selected Setback Distance.
3. The Clearance Required when Falling Over an Edge (C) will be the value listed at the intersection of the row selected in Step 1 and the column selected in Step 2.
4. Repeat the previous steps for every edge over which the worker could potentially fall to determine safe placement of anchorage and allowable Work Radius.

**Edge Definitions:** These CE Self-Retracting Devices have been successfully tested for horizontal use and for falls over a steel edge without burrs. Setback distance restrictions shown in Figure 8 must be observed. Avoid working where the lifeline will continuously or repeatedly abrade against sharp or abrasive edges. Eliminate such contact or protect edges using a heavy pad or other means. Edge Types are defined as follows:

**VG 11.60 revision 6 Type A Edge Definition:** A steel edge with a radius of  $r=0,5$  mm and without burrs was used for the test. Per testing, the equipment may be used over similar edges, as can be found on rolled steel profiles, wooden beams, or clad, rounded parapets.

### 3.0 INSTALLATION

- 3.1 PLANNING:** Plan your fall protection system before starting your work. Account for all factors that may affect your safety before, during, and after a fall. Consider all requirements and limitations defined in this manual.
- 3.2 ANCHORAGE:** Figure 9 illustrates typical SRD anchorage connections. The anchorage (A) should be directly overhead to minimize Free Fall and Swing Fall hazards (see Section 2). Select a rigid anchorage point capable of sustaining the static loads defined in Section 2.2. The Swivel Eye on the SRD is equipped with a Carabiner (B). Attach the Carabiner directly to the anchorage structure (rebar, angle iron, etc.), a Tie-Off Adaptor (C), or Anchorage Connection Point (D).
- 3.3 HARNESS CONNECTION:** A Full Body Harness is required for Fall Arrest applications. Connect the Snap Hook (A) on the SRD Lifeline to the Back Dorsal D-Ring (B) on the Full Body Harness. (see Figure 10). For situations such as ladder climbing, it may be useful to connect to the front Sternal D-Ring. Consult the harness manufacturer's instructions for details regarding use of the harness connection points.
- 3.4 TRIPOD MOUNTING:** Figure 11 illustrates installation of the Rebel Self-Retracting Device with Retrieval Hand-Crank on a Protecta Tripod. The SRD-R is mounted on a leg of the Tripod and the Lifeline is routed through a Pulley System on the Head of the Tripod. See the instructions included with your Tripod and Mounting Bracket for details.

### 4.0 USE

*First time or infrequent users of Rebel Self-Retracting Devices (SRDs) should review the "Safety Information" at the beginning of this manual prior to use of the SRD.*

- 4.1 BEFORE EACH USE:** Verify that your work area and Fall Protection system meet all criteria defined in these instructions. Verify that a formal Rescue Plan is in place. Inspect the product per the 'User' inspection points defined in the "Inspection and Maintenance Log". If inspection reveals an unsafe or defective condition, or if there is any doubt about its condition for safe use, remove the product from service immediately. Clearly tag it "DO NOT USE". See Section 5 for more information.
- 4.2 AFTER A FALL:** Any equipment which has been subjected to the forces of arresting a fall or exhibits damage consistent with the effect of fall arrest forces as described in Section 5, must be removed from service immediately, marked as "UNUSABLE", and inspected and serviced as instructed in Sections 5 and 6.
- 4.3 BODY SUPPORT:** A full body harness must be worn when using 3M SRDs. For general fall protection use, connect to the back Dorsal D-Ring. For situations such as ladder climbing, it may be useful to connect to the front Sternal D-Ring. Consult the harness manufacturer's instructions for details regarding use of the harness connection points.
- 4.4 MAKING CONNECTIONS:** When using a hook to make a connection, ensure roll-out cannot occur (see Figure 5). Do not use hooks or connectors that will not completely close over the attachment object. Do not use non-locking snap hooks. The mounting surface should meet the anchorage strength requirements stated in section 2.2. Follow the manufacturer's instructions supplied with each system component.
- 4.5 OPERATION:** Inspect the SRD as described in section 5.0. Connect the SRD to a suitable anchorage or anchorage connector as previously described. Connect the Self-Locking Snap Hook on the end of the lifeline to the Dorsal D-Ring on the Full Body Harness (see Figure 10). Ensure connections are compatible in size, shape, and strength. Ensure hook is fully closed and locked. Once attached, the worker is free to move about within the recommended working area at normal speeds. If the RSQ Selection Knob is set to 'Fall Arrest', the SRD will arrest the fall. If the RSQ Selection Knob is set to 'Descent', the SRD will automatically descend the user to a lower level when a fall occurs. When working with an SRD, always allow the lifeline to recoil back into the device under control. A tag line may be required to extend or retract the lifeline during connection and disconnection operations. A tag line can be used to prevent uncontrolled retraction of the lifeline into the SRD. Depending on the work site environment and conditions, it may be necessary to restrain the free end of the tag line to prevent interference and entanglement with equipment or machinery.
- 4.6 RETRIEVAL OPERATION:** Figure 12 illustrates operation of the Integral Rescue Hand Crank on the Rebel Retrieval SRD-R. Do not attempt to operate Retrieval with the lifeline fully retracted. To activate Retrieval mode and use the Rescue Hand Crank:
1. Pull out on the Retrieval Handle to release the Crank Arm.
  2. Rotate the Retrieval Handle out from the SRD Body 180°.
  3. Pull and hold the Shift Knob in the unlocked position.
  4. Push the Crank Arm in and release the Shift Knob to engage. If needed, rotate the Crank Arm clockwise to help engage the gear.
  5. Raise and lower the Lifeline as illustrated in Figure 12:
    - A. To Raise: Rotate the Crank Arm counterclockwise.
    - B. To Lower: Crank the Crank Arm counterclockwise slightly to release the Fall Arrest Brake, then crank the Crank Arm Clockwise.

*The Integral Rescue Hand Crank on 3-Way Emergency Retrieval SRD-R models is for rescue purposes only and should not be used for work positioning or material lifting/lowering.*

*Rebel SRD-Rs do not incorporate an Overload Clutch to limit the force exerted on the drive components and attached person. Avoid line slack while in Retrieval mode. Also, monitor the individual during retrieval to ensure they are not subjected to excessive force from continued lifting after entanglement on an obstruction.*



A minimum load of 33.9 kg (75 lb.) is required to lower or pay out the Lifeline. A force of 0.13 kN (30 lb.) is required to operate the Retrieval system when loaded to capacity.

Stop cranking when the Lifeline is fully extended or retracted. Continued cranking can damage components.

#### 4.7 RETRIEVAL DISENGAGEMENT: To disengage Retrieval mode:

When Retrieval mode is disengaged, any extended Lifeline will retract into the SRD. To avoid possible injury, retract the Lifeline prior to disengagement or hold onto the Lifeline.

1. Remove any load from the Lifeline.
2. Pull and hold the Shift Knob in the unlocked position.
3. Pull the Crank Arm out to disengage and then release the Shift Knob.
4. Pull out and rotate the Retrieval Handle 180° toward the SRD Body to stowed position.

### 5.0 INSPECTION

After equipment has been removed from service, it may not be returned to service until a Competent Person confirms in writing that it is acceptable to do so.

- 5.1 INSPECTION FREQUENCY:** The product shall be inspected by the user before each use and, additionally, by a Competent Person other than the user at intervals of no longer than one year. A higher frequency of equipment use and harsher conditions may require increasing the frequency of Competent Person inspections. The frequency of these inspections should be determined by the Competent Person per the specific conditions of the worksite.
- 5.2 INSPECTION PROCEDURES:** Inspect this product per the procedures listed in the "Inspection and Maintenance Log". Documentation of each inspection should be maintained by the owner of this equipment. An inspection and maintenance log should be placed near the product or be otherwise easily accessible to users. It is recommended that the product is marked with the date of next or last inspection.
- 5.3 DEFECTS:** If the product cannot be returned to service because of an existing defect or unsafe condition, then the product must be either destroyed or sent to 3M or a 3M-authorized service center for repair.
- 5.4 PRODUCT LIFE:** The functional life of the product is determined by work conditions and maintenance. As long as the product passes inspection criteria, it may remain in service.

### 6.0 MAINTENANCE, SERVICE, AND STORAGE

Equipment that is in need of maintenance or scheduled for maintenance should be tagged "DO NOT USE". These equipment tags should not be removed until maintenance is performed.

- 6.1 CLEANING:** Cleaning procedures for the Self-Retracting Device are as follows:
- Periodically clean the exterior of the SRD using water and a mild soap solution. Position the SRD so excess water can drain out. Clean labels as required.
  - Clean lifeline with water and mild soap solution. Rinse and thoroughly air dry. Do not force dry with heat. An excessive buildup of dirt, paint, etc. may prevent the lifeline from fully retracting back into the housing causing a potential free fall hazard. Replace lifeline if excessive buildup is present.
- 6.2 SERVICE:** Additional maintenance and servicing procedures must be completed by an authorized service center. Do not attempt to disassemble the SRD or lubricate any parts.
- 6.3 STORAGE AND TRANSPORT:** Store and transport Self-Retracting Device in a cool, dry, clean environment out of direct sunlight. Avoid areas where chemical vapors may exist. Thoroughly inspect the SRD after any period of extended storage.

### 7.0 LABELS

Figure 19 illustrates labels on the the Rebel Self-Retracting Devices and their locations. All labels must be present on the SRD. Labels must be replaced if they are not fully legible. Information provided on each label is as follows:

(A)	1) Inspect Snap Hook and Impact Indicator. 2) Inspect locking action of SRD. 3) Connect SRD Lifeline to Back Dorsal Harness Attachment. 4) Vertical applications only. Never anchor the SRD below the Back Dorsal Harness Attachment. 4A) Leading Edge SRD-LE required for anchorage level with or below the Back Dorsal Harness Attachment. 4B) Vertical applications only. Never anchor the SRD below the Back Dorsal Harness Attachment. 5) Temperature Range -40°C - 60°C 6) Maximum Capacity - 140 kg 7) Control recoil of the lifeline into the SRD. Never allow the lifeline to recoil freely. 8) Work directly below the SRD Anchorage to minimize Swing Fall. 9) Do not repair. This product must be serviced by an authorized service center. 10) Store SRDs in a cool, dry, clean environment; out of direct sunlight. 11) Do not load SRD Casing over an edge. 12) Do not remove labels. 13) Read all instructions. 14) Notified Body ID. 15) Month of next inspection 16) Year of next inspection 17) Year and Month manufactured 18) Lot Number 19) Model Number 20) Lifeline Length 21) Serial Number
(B)	Turn Crank Arm clockwise to lower Lifeline. Turn Crank Arm counterclockwise to raise Lifeline.
(C)	1) Pull out on the Retrieval Handle. 2) Fold the Retrieval Handle out from the SRD-R Body. 3) Pull out on Shift Knob and hold. 4) Push in and rotate the Crank Arm clockwise slightly. 5) Release the Shift Knob.

**Table 3 – Inspection & Maintenance Log**

<b>Serial Number(s):</b>	<b>Date Purchased:</b>
<b>Model Number:</b>	<b>Date of First Use:</b>
<b>Inspected By:</b>	<b>Inspection Date:</b>

<b>Component:</b>	<b>Inspection:</b>	<b>User</b>	<b>Competent Person</b>
SRD (Figure 13)	Inspect for loose bolts and bent or damaged parts.	<input type="checkbox"/>	<input type="checkbox"/>
	Inspect Housing (A) for distortion, cracks, or other damage.	<input type="checkbox"/>	<input type="checkbox"/>
	Inspect the Swivel Eye (B) for distortion, cracks, or other damage. The Swivel Eye should be attached securely to the SRD, but should pivot freely.	<input type="checkbox"/>	<input type="checkbox"/>
	The Lifeline (C) should pull out and retract fully without hesitation or creating a slack line condition.	<input type="checkbox"/>	<input type="checkbox"/>
	Ensure device locks up when lifeline is jerked sharply. Lockup should be positive with no slipping.	<input type="checkbox"/>	<input type="checkbox"/>
	The labels must be present and fully legible (see Figure 19).	<input type="checkbox"/>	<input type="checkbox"/>
	Look for signs of corrosion on the entire unit.	<input type="checkbox"/>	<input type="checkbox"/>
Swivel Snap Hook & Impact Indicator (Figure 14)	Inspect the Swivel Snap Hook for signs of damage, corrosion, and working condition. Swivel should rotate freely. Inspect the Impact Indicator. If the Red Band is displayed (Indicated Mode), impact loading has occurred and the SRD must be removed from service and inspected. Do not attempt to reset the Impact Indicator. Return the SRD to an authorized service center for resetting. NOTE: The Swivel will not turn freely when the Impact Indicator is in Indicated Mode.	<input type="checkbox"/>	<input type="checkbox"/>
Wire Rope Lifeline (Figure 15)	Inspect wire rope for cuts, kinks (A), broken wires (B), bird-caging (C), welding splatter, (D) corrosion, chemical contact areas, or severely abraded areas. Slide the cable bumper (E) up and inspect ferrules (F) for cracks or damage and inspect the wire rope for corrosion and broken wires. Replace the wire rope assembly if there are six or more randomly distributed broken wires in one lay, or three or more broken wires in one strand in one lay. A "lay" of wire rope is the length of wire rope it takes for a strand (the larger groups of wires) to complete one revolution or twist along the rope. Replace the wire rope assembly if there are any broken wires within 25 mm (1 in.) of the ferrules.	<input type="checkbox"/>	<input type="checkbox"/>
Reserve Lifeline (Figure 16)	Inspect the reserve lifeline payout. If a fall has been arrested with most of the lifeline out, the reserve lifeline may have been deployed. Pull the lifeline out of the SRD until it stops. If a red band (G) is visible, the reserve lifeline is spent and the unit must be serviced by an authorized service center before reuse.	<input type="checkbox"/>	<input type="checkbox"/>
SRD-LE Energy Absorber (Figure 17)	On Self-Retracting Devices with Leading Edge capability (SRD-LEs) verify that the integral Energy Absorber has not been activated. There should be no webbing pulled out of the cover (A). The cover should be secure and free of tears (B) or other damage.	<input type="checkbox"/>	<input type="checkbox"/>
Retrieval Integral Rescue Hand Crank (Figure 18)	Inspect the Crank Arm (A) for distortion or other damage. Ensure that the Retrieval Handle (B) can be folded out and secured in the cranking position.	<input type="checkbox"/>	<input type="checkbox"/>
	Ensure the Retrieval Shift Knob (C) can be pulled out to the unlocked position and then released, locking the Crank Arm in both the engaged and disengaged positions.	<input type="checkbox"/>	<input type="checkbox"/>
	Test the retrieval feature for proper operation by raising and lowering a test weight of at least 34 kg (75 lb.). When the Retrieval Handle is released, the weight should not move and the Retrieval Handle should remain in position (no movement). A 'clicking' sound should be audible when raising the load.	<input type="checkbox"/>	<input type="checkbox"/>

<b>Corrective Action/Maintenance:</b>	Approved By:	Next inspection due:
	Date:	
<b>Corrective Action/Maintenance:</b>	Approved By:	Next inspection due:
	Date:	
<b>Corrective Action/Maintenance:</b>	Approved By:	Next inspection due:
	Date:	
<b>Corrective Action/Maintenance:</b>	Approved By:	Next inspection due:
	Date:	
<b>Corrective Action/Maintenance:</b>	Approved By:	Next inspection due:
	Date:	
<b>Corrective Action/Maintenance:</b>	Approved By:	Next inspection due:
	Date:	
<b>Corrective Action/Maintenance:</b>	Approved By:	Next inspection due:
	Date:	
<b>Corrective Action/Maintenance:</b>	Approved By:	Next inspection due:
	Date:	

**Před zahájením používání tohoto výrobku si prosím přečtěte, pochopte a dodržujte veškeré bezpečnostní informace obsažené v této příručce. POKUD TAK NEUCINÍTE, MŮŽE DOJÍT K VÁŽNÉMU ÚRAZU ČI ÚMRTÍ.**

Tyto pokyny je nutno předat uživateli tohoto zařízení. Tyto pokyny si uschovejte k budoucímu nahlédnutí.

## Zamýšlené použití:

Tento výrobek se používá jako součást kompletního systému pro ochranu proti pádu.

Jakékoli jiné použití včetně (kromě jiného) použití k manipulaci s materiálem, rekreačním činnostem nebo činnostem souvisejícím se sportem nebo k jiným činnostem, které nejsou popsány v této příručce, není schváleno společností 3M a může mít za následek vážný úraz či úmrtí.

Tento výrobek mohou používat pouze vyškolení uživatelé na pracovišti.



## VAROVÁNÍ

Tento výrobek se používá jako součást kompletního systému pro ochranu proti pádu. Všichni uživatelé musí být řádně zaškoleni ohledně bezpečné instalace a používání svého kompletního systému pro ochranu proti pádu. **Nesprávné použití tohoto výrobku může mít za následek vážný úraz či úmrtí.** Informace o správném výběru, provozu, instalaci, údržbě a servisu naleznete ve všech uživatelských příručkách a doporučeních výrobce. Další informace vám sdělí váš nadřízený nebo kontaktujte technický servis 3M.

### Aby se snížila rizika související s používáním samonavíjecího záchytného zařízení, která mohou mít, pokud jim nezabráníte, za následek vážný úraz či úmrtí:

- Před každým použitím a po každém pádu zkontrolujte výrobek v souladu s postupy uvedenými v této příručce.
- Pokud kontrola odhalí nebezpečný nebo vadný stav, okamžitě výrobek vyřadte z provozu a zřetelně jej označte nápisem „NEPOUŽÍVAT“. Výrobek zlikvidujte nebo opravte podle požadavků této příručky.
- Pokud byl výrobek vystaven záchytné síle nebo síle způsobené pádem, musí být okamžitě vyřazen z provozu. Výrobek zlikvidujte nebo opravte podle požadavků této příručky.
- Zajistěte, aby systémy pro ochranu proti pádu sestavené ze součástí vyrobených různými výrobci, byly kompatibilní a splňovaly všechny platné předpisy, normy nebo požadavky týkající se ochrany proti pádu. Před použitím těchto systémů se vždy poraďte s kompetentní nebo kvalifikovanou osobou.
- Záchrané lano je nutné uchovávat mimo veškeré překážky, jako například: aby se do něj nezamotali jiní uživatelé, pracovníci, pohyblivé stroje či ostatní okolní předměty nebo aby do něj nenarazily předměty nad hlavou, které by mohly spadnout na záchrané lano nebo uživatele.
- Záchrané lano nekroutěte, neuzlujete, neuvazujte a dbejte na to, aby nedocházelo k jeho prověšení.
- Zamezte riziku zakopnutí o prameny záchraného lana. Připevněte všechny nepoužité prameny záchraného lana k upevňovacím prvkům lana.
- Nepřekračujte počet povolených uživatelů uvedený v této příručce.
- Nepoužívejte, když je dráha pádu zablokována. Zablokování samonavíjecího záchytného zařízení vyžaduje přímou dráhu. Práce na pomalu se přesouvajících materiálech (např. písek nebo zrní) nebo v omezených nebo stísněných prostorách nemusí pracovníkovi umožnit dosáhnout dostatečné rychlosti k zablokování samonavíjecího záchytného zařízení.
- Vyhnete se náhlým nebo rychlým pohybům během pracovní činnosti, protože by mohly způsobit neúmyslné zablokování samonavíjecího záchytného zařízení.
- Při instalaci, používání nebo přesouvání výrobku postupujte opatrně, neboť pohyblivé součásti mohou představovat místa uskřípnutí.
- Používejte vhodnou ochranu hran, pokud se záchrané lano může dostat do kontaktu s ostrými hranami nebo hrubými povrchy.
- Pokud byl výrobek použit při sestupu, okamžitě jej vyřadte z provozu.
- Před použitím se ujistěte, že se v dráze sestupu a na do dosedací ploše nenachází překážky ani nebezpečí.
- Ujistěte se, že je výrobek správně nakonfigurován a nainstalován pro bezpečný provoz, jak je popsáno v této příručce.

### Aby se snížila rizika související s prací ve výškách, která mohou mít, pokud jim nezabráníte, za následek vážný úraz či úmrtí:

- Váš zdravotní a fyzický stav vám musí umožnit bezpečnou práci ve výšce a odolat všem silám spojeným s případným jištěním proti pádu. Pokud máte dotazy týkající se vaší schopnosti používat toto zařízení, poraďte se se svým lékařem.
- Nikdy nepřekračujte přípustnou kapacitu vašeho zařízení na ochranu proti pádu.
- Nikdy nepřekračujte maximální délku volného pádu specifikovanou pro vaše zařízení na ochranu proti pádu.
- Nepoužívejte zařízení na ochranu proti pádu, která neprojdou kontrolou, nebo pokud máte obavy ohledně vhodnosti zařízení. S případnými dotazy kontaktujte technický servis společnosti 3M.
- Některé kombinace subsystémů a součástí mohou narušovat provoz tohoto zařízení. Používejte pouze kompatibilní připojení. Pokud chcete toto zařízení používat v kombinaci s jinými součástmi nebo subsystémy, než které jsou popsány v této příručce, obraťte se na technický servis 3M.
- Buďte zvláště opatrní při práci u pohyblivých se strojů, v prostředí s nebezpečím úrazu elektrickým proudem, s extrémními teplotami, chemickým nebezpečím, výbušnými nebo toxickými plyny, ostrými hranami, hrubými povrchy nebo pod stropními materiály, které by na vás nebo vaše zařízení na ochranu proti pádu mohly spadnout.
- Ujistěte se, že je výrobek, který používáte, dimenzován pro nebezpečí přítomná ve vašem pracovním prostředí.
- Při práci ve výškách zajistěte bezpečnou výšku ukotvení.
- Nikdy své zařízení na ochranu proti pádu neupravujte ani neměňte. Opravy tohoto zařízení může provádět pouze společnost 3M nebo osoby s písemným oprávněním společnosti 3M.
- Před použitím zařízení na ochranu proti pádu se ujistěte, že je zaveden písemný záchraný plán, který zajistí rychlou záchranu, pokud dojde k pádu.
- Pokud dojde k pádu, okamžitě zajistěte pracovníkovi, který spadl, lékařskou pomoc.
- Pro aplikace jištění proti pádu používejte pouze celotělový postroj. Nepoužívejte tělový pás.
- Minimalizujte riziko výkyvu při pádu tím, že budete pracovat co nejbližší pod kotevním bodem.
- Při školení s tímto výrobkem musí být použit sekundární systém ochrany proti pádu. Školené osoby nesmějí být vystaveny riziku neúmyslného pádu.
- Při instalaci, používání nebo kontrole výrobku vždy noste vhodné osobní ochranné pomůcky.
- Nikdy nepracujte pod zavěšenou zátěží nebo pracovníky.
- Vždy udržujte 100% uvázání.

Před prvním použitím tohoto zařízení si poznamenejte výrobní identifikační údaje z identifikačního štítku do Deníku kontrol a údržby v příloze k této příručce.

Vždy se ujistěte, že používáte nejnovější verzi svého návodu k použití 3M. Navštivte web 3M nebo kontaktujte 3M Technické služby pro aktualizované návody k použití.


## POPIS:

Na obrázku 2 jsou znázorněny hlavní součásti samonavíjecích zařízení Protecta Rebel. Samonavíjecí záchytná zařízení (SRD) Rebel jsou drátěná záchranná lana navinutá na buben (A), která se zatahují do termoplastického nebo hliníkového pouzdra (B). Tato lana lze zavěsit na ukotvení pomocí karabiny připevněné pomocí otočného oka (C) na horní stranu samonavíjecího záchytného zařízení. Samozamykací hák s pojistným perem (D) na konci záchranného lana se připevňuje k určené spojce pro jištění proti pádu na celotělovém postroji. Tlumič (E) chrání drátěné lano a kroužky zajišťující hák s pojistným perem proti oděru a korozi.


Na obrázku 1 jsou znázorněny modely samonavíjecích zařízení Rebel popsané v této uživatelské příručce. K dispozici jsou následující typy samonavíjecích záchytných zařízení:

- **Samonavíjecí záchytné zařízení (Obrázek 2A):** Samonavíjecí záchytná zařízení (SRD) jsou vhodná pro aplikace, kde záchranné lano zůstává během používání obecně svislé a možný volný pád je omezen na vzdálenost 0,6 m (2 stopy).
- **Samonavíjecí záchytná zařízení se závěsnou páskou (Obrázek 2B):** Samonavíjecí záchytná zařízení se závěsnou páskou (SRD-LE) jsou vhodná pro aplikace, kde záchranné lano zůstává během používání obecně vodorovné a možný volný pád je omezen na vzdálenost 1,5 m (5 stop). Zařízení SRD-LE mají integrální tlumič energie (F) nebo podobnou součást, aby odolala nárazovému zatížení záchranného lana přes ostrou nebo hrubou hranu během jištění proti pádu a minimalizovala síly při jištění proti pádu působící na uživatele.
- **Samonavíjecí záchytná zařízení se záchrannou funkcí (Obrázek 2C):** Samonavíjecí záchytná zařízení se záchrannou funkcí (SRD-R) jsou vybavena integrovaným prostředkem pro asistovanou záchranu pomocí zvedání nebo spouštění záchraňované osoby. Samonavíjecí záchytná zařízení se záchrannou funkcí jsou vybavena 3cestným systémem s ruční klikou sloužící k záchraně v nouzové situaci (G). Některé modely mohou zahrnovat montážní držák stojanu (H) pro montáž zařízení SRD-R na nohu stojanu pro aplikace v omezeném prostoru.

**Tabulka 1 – Specifikace**

 Poloviny skříně	Materiál
9508320 + 9520047	Hliník – 15 m (50 stop) SRD-R
9511070 + 9511071	Termoplast – 6 m (20 stop) Zařízení SRD, 10 m (33 stop) Zařízení SRD, a 6 m (20 stop) Zařízení SRD-LE se závěsnou páskou
9520021 + 9520022	Hliník – 6 m (20 stop) a 10 m (33 stop) Samonavíjecí záchytná zařízení
9520044 + 9520045	Termoplast – 15 m (50 stop) Zařízení SRD a 10 m (33 stop) Zařízení SRD-LE se závěsnou páskou
9520046 + 9520047	Hliník – 15 m (50 stop) Samonavíjecí záchytná zařízení
9520056 + 9520057	Termoplast – 20 m (66 stop), 25 m (82 stop), 30 m (100 stop) Samonavíjecí záchytná zařízení
9520058 + 9520059	Hliník – 20 m (66 stop), 25 m (82 stop) a 30 m (100 stop) Samonavíjecí záchytná zařízení

 Záchytné lano	Popis	Hák
9501087 + 2000175	5,56mm (7/32") pozinkované ocelové lano, samojistící otočný hák ze slitiny oceli s pojistným perem a indikátorem.	2000175
9501479 + 2000175	4,76mm (3/16") pozinkované ocelové lano, samojistící otočný hák ze slitiny oceli s pojistným perem a indikátorem.	2000175
9501613 + 2000170	4,76mm (3/16") pozinkované ocelové lano, samojistící nerezový otočný hák s pojistným perem a indikátorem.	2000170
9501613 + 2000175	4,76mm (3/16") nerezové ocelové lano, samojistící otočný hák ze slitiny oceli s pojistným perem a indikátorem.	2000175
9501613 + 2100044	4,76mm (3/16") nerezové ocelové lano, samojistící nerezový otočný hák s pojistným perem a indikátorem.	2100044

Hák	Popis	Materiál	Pevnost zámku	Velikost průřezu
2000170	Samozamykací otočná karabina s indikátorem nárazu	Nerezová ocel	16 kN (3 600 lbf)	1,9 cm (0,75")
2000175	Samozamykací otočný hák s pojistným perem a indikátorem nárazu	Pozinkovaná ocel	16 kN (3 600 lbf)	1,9 cm (0,75")
2100044	Samozamykací otočný hák s pojistným perem a indikátorem nárazu	Nerezová ocel	16 kN (3 600 lbf)	1,9 cm (0,75")

**Tabulka 1 – Specifikace**

<b>Pevnost v tahu drátěného záchranného lana:</b>	9501479 – průměr 4,76 mm (3/16"), pozinkovaná ocel Min. Pevnost v tahu 18,7 kN (4 200 lbf) 9501613 – průměr 4,76 mm (3/16"), nerezová ocel Min. Pevnost v tahu 16,0 kN (3 600 lbf) 9501087 – průměr 5,55 mm (7/32"), pozinkovaná ocel Min. Pevnost v tahu 24,9 kN (5 600 lbf)
<b>Maximální zdvihací zatížení zařízení SRD-R:</b>	135 kg (298 lb)
<b>Pevnost ukotvení</b>	12 kN (2,697 lbf)

<b>Specifikace samonavíjecího záchytného zařízení</b>	<b>Modely CE (EN 360)</b>
<b>Rozsah nosnosti:</b>	59 kg – 140 kg (130 liber – 310 liber)
<b>Maximální záchytná síla:</b>	6 kN (1 350 lbf)
<b>Průměrná záchytná síla:</b>	4,0 kN (900 lbf)
<b>Maximální záchytná vzdálenost:</b> <i>*Za předpokladu, že samonavíjecí záchytné zařízení je nainstalováno přímo nad hlavou uživatele.</i>	1,1 m (42 in)
<b>Minimální požadovaná bezpečná výška ukotvení (Fall Clearance):</b> <i>*Za předpokladu, že samonavíjecí záchytné zařízení je nainstalováno přímo nad hlavou uživatele.</i>	1,8 m (6 stop)
<b>Maximální délka volného pádu:</b> <i>*Samonavíjecí záchytné zařízení musí být namontováno nad D-kroužkem uživatele.</i>	0,6 m (2 stopy)

<b>Specifikace zařízení SED-LE</b>	<b>Modely CE (EN 360 + CNB/P/11.060)</b>
<b>Rozsah nosnosti:</b>	59 kg – 140 kg (130 liber – 310 liber)
<b>Maximální záchytná síla:</b>	6 kN (1 350 lbf)
<b>Průměrná záchytná síla:</b>	4 kN (900 lbf)
<b>Maximální záchytná vzdálenost:</b> <i>*Za předpokladu, že samonavíjecí záchytné zařízení je nainstalováno přímo nad hlavou uživatele.</i>	1,1 m (42 in)
<b>Minimální požadovaná bezpečná výška ukotvení (Fall Clearance):</b>	Vertikální: 1,8 m (6 stop) Horizontální: 5,03 m (16,5 stop)
<b>Maximální délka volného pádu:</b> <i>*Samonavíjecí záchytné zařízení musí být namontováno nad D-kroužkem uživatele.</i>	0,6 m (2 stopy)
<b>Maximální délka volného pádu – LE:</b> <i>*Měřeno od D-kroužku uživatele k pracovní ploše.</i>	1,5 m (5 stop)

## 1.0 APLIKACE

- 1.1 ÚČEL:** Samonavíjecí zařízení 3M jsou určena k použití jako součást systému zachycení pádu osob (PFAS). Obrázek 1 znázorňuje samonavíjecí zařízení SRD popsaná v této uživatelské příručce a jejich typické aplikace. Mohou být použita v mnoha situacích, které vyžadují kombinaci mobility pracovníků a ochrany proti pádu (tj. kontrolní práce, stavební práce, údržbářské práce, těžba ropy, práce v omezeném prostoru atd.).
- 1.2 STANDARDY:** Toto samonavíjecí záchytné zařízení (SRD) vyhovuje národním a regionálním normám uvedeným na přední straně obálky této příručky. Pokud bude tento produkt prodáván mimo původní cílovou zemi, pak prodejce musí tuto příručku poskytnout v jazykové verzi země, ve které se bude produkt používat.
- 1.3 ŠKOLENÍ:** Toto zařízení je určeno k použití osobami vyškolenými ve správné aplikaci a používání. Uživatel zařízení nese odpovědnost za to, že tyto osoby budou obeznámeny s těmito pokyny a vyškoleny ke správnému používání a ošetřování tohoto vybavení. Uživatelé musejí rovněž znát provozní charakteristiky, omezení pro použití a důsledky nesprávného použití zařízení.
- 1.4 OMEZENÍ:** Při instalaci nebo používání tohoto zařízení vždy berte v úvahu následující omezení a požadavky:
- **Nosnost:** Toto samonavíjecí zařízení (SRD) bylo testováno na použití jednou osobou s kombinovanou hmotností (oblečení, nástroje atd.) od 59 kg (130 liber) do 140 kg (310 liber).<sup>1</sup> Ujistěte se, že všechny součásti vašeho systému jsou dimenzované na kapacitu odpovídající danému použití.
  - **Ukotvení:** Požadavky na kotvení se liší podle příslušného použití ochrany proti pádu. Konstrukce, na které je kotevní spojka umístěna nebo k níž je připevněna, musí splňovat specifikace kotvení definované v tabulce 1.
  - **Rychlost blokování:** Je třeba předcházet situacím, které by neumožňovaly dráhu pádu bez překážek. Práce v malých nebo stísněných prostorech nemusí dovolit, aby tělo v případě pádu dosáhlo dostatečné rychlosti potřebné k zablokování samonavíjecího záchytného zařízení (SRD). Práce na pomalu se přesunujících materiálech, jakými jsou písek nebo zrnité látky, nemusí vyvolat dostatečnou rychlost potřebnou k zablokování samonavíjecího záchytného zařízení (SRD). Spolehlivé zablokování samonavíjecího záchytného zařízení vyžaduje přímou dráhu.
  - **Volný pád:** Při řádném používání samonavíjecího záchytného zařízení na hlavou se minimalizuje délka volného pádu. Aby se zabránilo prodloužení délky volného pádu, dodržujte následující pokyny:
    - Záchytné lano v žádném případě neupínejte ani jinak neuvazujte tak, aby se nemohlo navíjet nebo zůstat napnuté.
    - Zabraňte jakémukoli prověšení záchytného lana samonavíjecího záchytného zařízení.
    - Nepracujte nad úrovní kotvení.
    - Neprodužujte samonavíjecí záchytné zařízení připojováním závěsu nebo podobné součásti bez předchozí konzultace se společností 3M.

Specifické informace k produktu související s volným pádem a hodnotami délky dopadu jsou uvedeny v tabulce 1 v tomto návodu.

- **Výkyv při pádu:** Pokud není bod ukotvení přímo nad místem, kde dojde k pádu, mohou při pádu nastat výkyvy. Síla nárazu na předmět při pádu s výkyvem může způsobit těžký úraz (viz obrázek 3A). Minimalizujte riziko výkyvu při pádu tím, že budete pracovat co nejbližší kotevnímu bodu (obrázek 3B). Práce mimo kotevní bod (obrázek 3C) zvýší náraz při pádu s výkyvem a zvýší požadovanou délku dopadu (FC).
- **Délka pádu:** Obrázek 3B znázorňuje výpočet délky dopadu. Délka dopadu (FC) je součet volného pádu (FF), vzdálenosti zpomalení (DD) a bezpečnostního faktoru (SF):  $FC = FF + DD + SF$ . V bezpečnostním faktoru je zahrnut posun úchyty ve tvaru D a protažení postroje. Vypočtené délky dopadu jsou uvedeny v tabulce na obrázku 4. Pro všechny hodnoty na obrázku 4 byl použit bezpečnostní faktor 1 m (3,28 stopy).

Na obrázcích 3B a 3C je znázorněna délka pádu. Při pádu ze stojící polohy a ukotvení zařízení SRD přímo nad hlavou chráněné osoby (obrázek 3B) musí systémy jištění proti pádu se samonavíjecím zařízením (SRD) vykazovat minimální délky pádu uvedené v tabulce 1. Pády z klečící nebo přikrčené pozice vyžadují přídatnou délku pádu 1 m (3 m). Při pádu s výkyvem (obrázek 3C) bude celková svislá vzdálenost pádu vyšší, než v případě pádu uživatele přímo pod kotevním bodem a tato situace může vyžadovat přídatnou délku pádu. Na obrázku 4 a v průvodní tabulce jsou definovány maximální pracovní poloměry (C) pro různé výšky ukotvení samonavíjecího zařízení (A) a volné délky pádu (B). Doporučená pracovní zóna je určena oblastí vymezenou maximálním pracovním poloměrem.

- **Rizika:** Používání tohoto zařízení v oblastech, kde existují rizika nebezpečného prostředí, si mohou vyžádat další předběžná opatření pro snížení možnosti úrazu uživatele nebo poškození vybavení. Rizika mohou mj. zahrnovat: vysoké tepelné zatížení, žíravé chemikálie, korozivní prostředí, vedení vysokého napětí, výbušné nebo jedovaté plyny, pohybující se části strojů nebo nahoře zavěšené předměty, které mohou spadnout a narazit na uživatele nebo na systém jištění proti pádu. Vyvarujte se práce, při níž by se vaše záchytné lano mohlo zkřížit nebo zaplést s lanem jiného pracovníka. Nezačínajte práci, kde by nějaký předmět mohl spadnout a narazit na záchytné lano, což by vedlo ke ztrátě rovnováhy nebo poškození lana. Nedovoľte, aby záchytné lano procházelo pod pažemi nebo mezi nohami.
- **Ostré hrany:** Vyvarujte se takové práce, při níž by se záchytné lano dotýkalo nechráněných ostrých hran a odíralo se o ně. Tam, kde se kontaktu s ostrou hranou nedá zabránit, zakryjte hrany ochranným materiálem.

<sup>1</sup> **Nosnost:** Samonavíjecí zařízení SRD s třícestným vyprošťovacím systémem jsou dimenzována na maximální zátěž zvedání 135 kg (298 liber).

## 2.0 POUŽITÍ

- 2.1 ZÁCHRANNÝ PLÁN:** Při používání tohoto zařízení musí mít zaměstnavatel připraven záchranný plán a záchranné prostředky k použití a tento plán předat uživatelům, oprávněným osobám a záchranářům.
- 2.2 ČETNOST KONTROL:** Samonavíjecí záchytná zařízení (SRD) musejí být před každým použitím zkontrolována oprávněnou osobou<sup>1</sup> nebo záchranářem<sup>2</sup> (viz tabulka 2). Dále je nutné provádět kontroly kompetentní osobou<sup>3</sup> (jinou, než uživatel) v intervalech kratších než jeden rok. Extrémní pracovní podmínky (nepříznivé prostředí, dlouhodobé používání atd.) si mohou vyžádat častější kontroly kompetentní osobou. Kontrolní postupy jsou popsány v „Deníku kontrol a údržby“ (tabulka 3). Výsledky každé kontroly provedené kompetentní osobou musejí být zaneseny do „Protokolu kontrol a údržby“ nebo zaznamenány pomocí systému RFID.
- 2.3 BĚŽNÝ PROVOZ:** Při běžném provozu se záchranné lano během pohybu pracovníka normální rychlostí vysouvá a navíjí bez známek zpomalení nebo prověšení. Pokud dojde k pádu, aktivuje se brzdový systém snímající rychlost, zastaví pád a pohltí většinu vytvořené energie. Náhlé nebo rychlé pohyby by měly být během normální pracovní činnosti vyloučeny, protože by mohly způsobit zablokování samonavíjecího záchytného zařízení (SRD). Pro pády, které mohou nastat v blízkosti konce dráhy záchranného lana, se používá systém rezervního lana nebo tlumič energie na snížení záchytných sil. Pokud byl samonavíjecí záchytný systém (SRD) vystaven záchytným silám, dodržujte následující zásady: vyřadte systém z provozu, označte jej symbolem "NEPOUŽITELNÉ" a proveďte jeho kontrolu a servis způsobem popsaným v kapitolách 5 a 6.
- 2.4 PODPĚRA TĚLA:** Se samonavíjecím záchytným zařízením je nutno používat celotělový postroj. Bod připojení postroje se musí nacházet nad těžištěm uživatele. Společně se samonavíjecím záchytným zařízením není dovoleno používat pás na tělo. Pokud dojde k pádu při použití pásu na tělo, může to způsobit nechtěné uvolnění a případné udušení kvůli nesprávné podpoře těla.
- 2.5 SLUČITELNOST SOUČÁSTÍ:** Zařízení 3M jsou určena k používání výhradně se součástmi a subsystémy schválenými společností 3M, pokud není uvedeno jinak. Záměny a náhrady za použití neschválených prvků a dílčích systémů mohou ohrozit kompatibilitu zařízení a případně též nepříznivě ovlivnit bezpečnost a spolehlivost celého systému. Dodržujte pokyny výrobce k součástem a subsystémům používaným u vašeho systému jistění proti pádu.
- 2.6 KOMPATIBILITA SPOJEK:** Spojky jsou považovány za kompatibilní se spojovacími prvky, pokud byly navrženy ke společné funkci tak, aby jejich rozměry a tvary nezpůsobovaly, že se jejich uzavírací ústrojí budou náhodně otevírat bez ohledu na to, jakým směrem jsou orientována. V případě dotazů o kompatibilitě se obraťte na společnost 3M.
- Spojky používané pro závěs samonavíjecího záchytného zařízení (SRD) musejí vyhovovat normě EN362. Spojky musí být kompatibilní s kotvením a dalšími součástmi systému. Nepoužívejte žádná nekompatibilní zařízení. Nekompatibilní spojky se mohou nechtěně rozpojit (viz obrázek 5). Spojky musejí být kompatibilní co do velikosti, tvaru a pevnosti. Samojistící háky s pojistným perem a karabiny jsou nezbytné. Pokud je spojovací prvek, na který se přikládá hák s pojistným perem nebo karabina, poddimenzovaný nebo má nesprávný tvar, může nastat situace, kdy spojovací prvek vyvine sílu na uzávěr háku s pojistným perem nebo karabiny (A). Tato síla může způsobit, že se otevře západka (B) a hák s pojistným perem nebo karabina se mohou uvolnit ze spojovacího bodu (C).
- 2.7 SPOJOVÁNÍ:** Háky s pojistným perem a karabiny používané s tímto zařízením musejí být samojistící. Ujistěte se, že jsou všechny spojky kompatibilní velikosti, tvaru a síly. Nepoužívejte žádná nekompatibilní zařízení. Ujistěte se, že jsou všechny spojky zcela uzavřeny a uzamčeny. Spojky 3M (háky s pojistným perem a karabiny) jsou navrženy pro používání pouze způsobem, který je uveden v uživatelských příručkách k jednotlivým výrobkům. Na obrázku 6 jsou uvedeny příklady chybných připojení. Nepřipojujte háky s pojistným perem a karabiny:
- K úchytů ve tvaru D, ke kterému je připojena další spojka.
  - Způsobem, který by vedl k zatížení zámku. Velké háky s pojistným perem nesmějí být připojeny ke standardním úchytům ve tvaru D nebo k podobným předmětům, pokud daný hák s pojistným perem není vybaven uzávěrem 16 kN (3600 liber), protože tím by při zkroutení nebo otočení úchytu ve tvaru D došlo k zatížení uzávěru. Zkontrolujte označení na svém háku s pojistným perem, zda je vhodný pro vaše použití.
  - U chybného zapojení, kde se prvky vyčnívající z karabiny zachycují na ukotvení a které bez vizuální kontroly vypadá jako plně připojené ke kotvicímu bodu.
  - Navzájem mezi sebou.
  - Přímo na popruh nebo lanovou smyčku se zkracovačem či na zádový úvazek (pokud pokyny výrobce pro lano i pro spojku konkrétně takové spojení nedovolují).
  - K žádnému předmětu, který je tvarován nebo dimenzován tak, aby se hák nebo karabina neuzavřela a neuzamkla nebo aby mohlo dojít k uvolnění.
  - Způsobem, který neumožňuje správný pohyb spojky při zatížení.

**Tabulka 2 – Harmonogram kontrol**

Typ použití	Příklady použití	Podmínky užití	Četnost kontrol
			Kompetentní osoba
Občasný až lehký	Záchrana a stísněné prostory, tovární údržba	Dobré skladovací podmínky, vnitřní nebo občasně venkovní použití, teplota okolí, čisté prostředí	Ročně
Střední až těžký	Doprava, obytné budovy, technická zařízení, skladiště	Přiměřené podmínky skladování, vnitřní a rozsáhlé venkovní užití, všechny teploty, čistá nebo prašná prostředí	Jednou za půl roku až jednou ročně
Náročný až nepřetržitý	Komerční budovy, ropný a plynárenský průmysl, těžba	Náročné skladovací podmínky, prodloužené nebo nepřetržité venkovní užití, všechny teploty, znečištěné prostředí	Jednou za čtvrt až půl roku

**1 Oprávněná osoba:** Osoba pověřená zaměstnavatelem k výkonu povinností na místě, kde bude osoba vystavena riziku pádu z výšky.

**2 Záchranář:** Osoba nebo osoby jiné než osoba zachraňovaná vykonávající činnosti asistované záchranné operace pomocí vytažovacího systému.

**3 Kompetentní osoba:** Osoba pověřená zaměstnavatelem k odpovědnosti za bezprostřední dozor, implementaci a monitorování programu zabezpečení proti pádu z výšky spravovaného zaměstnavatelem, která je na základě školení a příslušných znalostí schopná identifikovat, vyhodnocovat a řešit existující a potenciální rizika pádu a má od svého zaměstnavatele oprávnění k podniknutí rychlého nápravného opatření ve vztahu k takovým rizikům.

**2.8 SAMONAVÍJECÍ BEZPEČNOSTNÍ LANA SE ZÁVĚSNOU PÁSKOU (SRL-LE):** Samonavíjecí záchytná zařízení popsaná v této příručce zahrnují samonavíjecí Bezpečnostní lana se závěsnou páskou (SRL-LE). Konkrétní modely SRL-LE jsou znázorněny na obrázku 1. Závěsy SRL-LE byly testovány pro použití ve vodorovné poloze a pády přes ocelovou hranu bez otřepů. Závěsy SRL-LE lze používat v situacích, kdy může dojít k pádu přes ocelové hrany, které se nacházejí například u ocelových konstrukcí nebo kovových plechů.

**Upozornění týkající se závěsné pásky:** Při používání závěsů SRL-LE dodržujte následující bezpečnostní zásady:

- Přípustný úhel přesměrování úseku záchranného lana se závěsem SRL-LE na hraně, přes kterou může dojít k pádu (měřeno mezi dvěma stranami tvořenými přesměrovaným záchranným lanem), musí být nejméně 90 stupňů (viz obrázek 7).
- Kotevní bod lze umístit pouze ve výšce hrany, přes kterou může dojít k pádu, nebo nad tuto hranu. Kotevní body pod hranou jsou nebezpečné, protože způsobují přesměrování záchranného lana pod úhlem ostřejším než 90 stupňů (viz obrázek 7).
- V kapitole 1 jsou uvedena omezení povolené pracovní plochy vzhledem ke kotevnímu bodu včetně faktorů zahrnujících například pády s výkyvem, oděr lana na hraně a používání jednoho kotevního bodu v porovnání s více ukotveními umožňujícími vodorovný pohyb (např. vodorovné záchytné lano nebo vodorovná kolejnice).
- Závěsy SRL-LE lze používat s vodorovným záchytným lanem nebo s vodorovnou kolejnici pouze způsobem uvedeným v uživatelské příručce vodorovného záchytného lana nebo vodorovné kolejnice.
- Nepracujte na vzdálené straně průřezu naproti kotevnímu bodu závěsu SRL-LE.
- Pokud dojde k pádu přes hranu, budou pravděpodobně vyžadována speciální záchranná opatření.
- Při plánování aplikace se závěsnou páskou zajistěte, aby parametry pracovní oblasti vyhovovaly minimální odstupové vzdálenosti, minimální vzdálenosti volného pádu a minimální délce pádu, které jsou vyžadovány při pádu přes hranu, jak je uvedeno a štítkovém značení závěsu SRL-LE.

**Výpočet délky pádu přes závěsnou pásku:** Minimální požadovaná délka pádu přes hranu lze vypočítat podle odstupové vzdálenosti a vzdálenosti podél hrany vaší aplikace se závěsnou páskou (viz obrázek 8). Výpočet délky pádu z tabulky na obrázku 8:

1. V záhlavích řádků na levé straně vyberte hodnotu, která je nejbližší vaší odstupové vzdálenosti (A).
2. V záhlavích sloupců na horní straně vyberte hodnotu, která je nejbližší vaší pracovní vzdálenosti podél hrany (B). Zastíněné oblasti bez hodnot sdělují, že vzdálenost podél okraje leží mimo bezpečný pracovní poloměr pro vybranou odstupovou vzdálenost.
3. Požadovaný volný prostor při pádu přes hranu (C) je určen hodnotou v průsečíku řádku vybraného v kroku 1 a sloupce vybraného v kroku 2.

Opakováním předchozích kroků pro každý okraj, přes který by mohlo dojít k potenciálnímu pádu pracovníka, určete bezpečné umístění ukotvení a přípustný pracovní poloměr.

**Definice ostré hrany CE:** Tato CE samonavíjecí záchytná zařízení byla úspěšně testována pro horizontální použití a pro pády přes kovové hrany bez roztřepených okrajů. Je třeba dodržovat omezení vzdálenosti od překážek uvedená na obrázku 8. Vyvarujte se takové práce, při níž by se záchytné lano neustále nebo opakovaně dotýkalo nechráněných ostrých hran a odíralo se o ně. Takovýto kontakt eliminuejte nebo hrany přikryjte silnou podložkou či jiným způsobem. Níže jsou uvedeny definice typů hran:

- **De inice hrany typu A dle VG 11.60 revize 6:** Pro testovací účely byla použita ocelová hrana s poloměrem  $r=0,5$  mm bez roztřepených okrajů. Podle testování lze vybavení použít nad podobnými hranami, které lze najít například u válcovaných ocelových profilů, dřevěných rámců nebo na plátovaných, zaoblených střešních parapetech.



### 3.0 INSTALACE

- 3.1 PLÁNOVÁNÍ** Před zahájením práce si naplánujte systém ochrany proti pádu. Vezměte v úvahu veškeré faktory, které mohou ovlivnit vaši bezpečnost před pádem, v průběhu pádu a po pádu. Zohledněte všechny požadavky a omezení uvedené v této příručce.
- 3.2 UKOTVENÍ:** Obrázek 9 znázorňuje typické kotevní spojky závěsu samonavíjecího záchytného zařízení. Ukotvení (A) musí být umístěno přímo nad hlavou, aby byla minimalizována rizika volného pádu a výkyvu při pádu (viz kapitolu 2). Vyberte pevný kotevní bod odolný vůči trvalému statickému zatížení definovanému v části 2.2. Otočné oko na samonavíjecím záchytném zařízení je vybaveno karabinou (B). Připevněte karabinu přímo ke kotevní konstrukci (tyčová výztuž, ocelový úhelník apod.), ke spojovacímu adaptéru (C) nebo k přípojnému bodu kotevní spojky (D).
- 3.3 PŘIPOJENÍ POSTROJE:** Aplikace na jištění proti pádu vyžadují celotělový postroj. Připněte hák s pojistným perem (A) na záchytném laně samonavíjecího záchytného zařízení k zadnímu zádovému úchytu ve tvaru D (B) na celotělovém postroji. (Viz obrázek 10). Pro situace zahrnující například stoupání po žebříku je praktické připojit kabinu k přednímu hrudnímu úchytu ve tvaru D. Podrobnosti týkající se používání připojovacích bodů na postroji vyhledejte v pokynech výrobce postroje.
- 3.4 MONTÁŽ NA STOJAN:** Obrázek 11 znázorňuje instalaci samonavíjecího záchytného zařízení Rebel se záchrannou ruční klikou na stojan Protecta. Samonavíjecí záchytné zařízení se záchrannou funkcí (SRD-R) se namontuje na jednu nohu stojanu a záchytné lano se vede soustavou kladek na vrcholu stojanu. Podrobnosti naleznete v pokynech ke stativu a montážnímu držáku.

### 4.0 POUŽITÍ

*Uživatelé, kteří samonavíjecí zařízení Rebel (SRD) používají poprvé nebo jen zřídka, se před použitím zařízení SRD musejí seznámit s článkem "Bezpečnostní informace" na začátku této příručky.*

- 4.1 PŘED KAŽDÝM POUŽITÍM:** Ověřte, zda vaše pracoviště a systém jištění proti pádu splňují všechny podmínky stanovené v těchto pokynech. Ověřte, zda existuje formální záchranný plán. Produkt zkontrolujte podle kontrolních bodů „Uživatel“, které jsou uvedeny v části „Deník kontrol a údržby“. Jestliže kontrola odhalí nebezpečný či vadný stav nebo pokud se vyskytnou jakékoli pochybnosti o bezpečném použití produktu, okamžitě jej vyřadte z provozu. Zařízení označte viditelným nápisem „NEPOUŽÍVAT“. Podrobnější informace najdete v části 5.
- 4.2 DOJDE-LI K PÁDU:** Jakékoli zařízení, které bylo vystaveno působení síly při zachycení pádu nebo vykazuje poškození odpovídající působení záchytných sil, jak je popsáno v kapitole 5, musí být ihned vyřazeno z provozu, označeno symbolem „NEPOUŽITELNĚ“, prohlédnuto a odesláno k opravě do autorizovaného servisního centra podle pokynů v kapitolách 5 a 6.
- 4.3 PODPORA TĚLA:** Při používání samonavíjecího záchytného zařízení 3M je nutno nosit celotělový postroj. Pro všeobecné použití na ochranu proti pádu připojte zádový úchyt ve tvaru D. Pro situace zahrnující například stoupání po žebříku je praktické připojit kabinu k přednímu hrudnímu úchytu ve tvaru D. Podrobnosti týkající se používání připojovacích bodů na postroji vyhledejte v pokynech výrobce postroje.
- 4.4 SPOJOVÁNÍ:** Při použití háku pro připojení zkontrolujte, zda nemůže dojít k nežádoucímu uvolnění (obr. 5). Nepoužívejte háky nebo spojky, které plně neobepínají připojovaný objekt. Nepoužívejte nezamykací háky s pojistným perem. Montážní povrch musí splňovat požadavky na pevnost ukotvení uvedené v oddíle 2.2. Dodržujte pokyny výrobce dodané ke každé součásti systému.
- 4.5 PROVOZ:** Zkontrolujte samonavíjecí záchytné zařízení (SRD) podle pokynů v části 5.0. Připojte zařízení SRD ke vhodnému ukotvení nebo kotevní spojce, jak je popsáno výše. Připojte samozamykací hák s pojistným perem na konci záchranného lana k zádovému úchytu ve tvaru D na celotělovém postroji (viz obrázek 10). Zajistěte, aby připojení bylo kompatibilní co do velikosti, tvaru a únosnosti. Zajistěte, aby byl hák zcela uzavřen a uzamčen. Jakmile je pracovník připojen na celé zařízení, může se volně pohybovat běžnou rychlostí v rámci doporučeného pracovního prostoru. Je-li volicí knoflík RSQ nastaven na „Jištění proti pádu“, zařízení SRD zastaví pád. Je-li volicí knoflík RSQ nastaven na „Sestup“, zařízení SRD automaticky spustí uživatele na nižší úroveň, když dojde k pádu. Při práci se samonavíjecím záchytným zařízením vždy umožněte kontrolované navijení záchytného lana zpět do zařízení. Při připojování a odpojování může být k vytažení nebo zatažení záchranného lana vyžadováno ovládací lanko. Pomocí ovládacího lanka lze zabránit nekontrolovanému zatažení záchranného lana do samonavíjecího záchytného zařízení. V závislosti na prostředí a podmínkách pracoviště bude pravděpodobně nutné zajistit volný konec ovládacího lanka, aby nemohlo docházet k jeho zapletení nebo zasahování do jiných zařízení nebo strojního vybavení.
- 4.6 POUŽITÍ PŘI ZÁCHRANNÉ OPERACI:** Obrázek 12 znázorňuje použití integrované záchranné ruční kliky samonavíjecího záchytného zařízení se záchrannou funkcí Rebel. Nepokoušejte se používat záchrannou funkci, když je záchranné lano zcela navinuté. Aktivace režimu záchrany a používání ruční vyprošťovací kliky:
1. Vytažením vyprošťovací kliky uvolníte otočné rameno.
  2. Otočením o 180° vytáhněte záchrannou rukojeť z těla zařízení SRD.
  3. Vytáhněte výsuvné kolečko a podržte je v odemknuté poloze.
  4. Zatlačte otočné rameno směrem dovnitř a zajistěte je uvolněním výsuvného kolečka. V případě potřeby můžete usnadnit zapojení převodu otočením ramene po směru hodinových ručiček.
  5. Zdvih a spouštění záchranného lana podle obrázku 12:
    - A. Zvedání: Otáčejte ramenem proti směru hodinových ručiček.
    - B. Spouštění: Mírně pootočte ramenem kliky proti směru hodinových ručiček, aby se aktivovala záchytná brzda, a poté ramenem kliky otáčejte po směru hodinových ručiček.

*Integrovaná záchranná ruční klika na 3cestných modelech samonavíjecího záchytného zařízení s funkcí záchrany v nouzové situaci je určena pouze pro záchranné účely a neměla by se používat k polohování při práci ani zdvihání/spouštění materiálu.*

*Samonavíjecí záchytná zařízení Rebel se záchrannou funkcí nejsou vybavena spojkou proti přetížení, která snižuje síly působící na hnané součásti a připnutou osobu. V režimu záchrany dbejte na to, aby nedocházelo k povolování lana. Během vyprošťování dále sledujte zachraňovanou osobu a dbejte na to, aby nebyla vystavena nadměrné síle vlivem pokračujícího zvedání po zapletení lana do překážky.*

Ke spuštění nebo odvíjení záchytného lana je nutné minimální zatížení 33,9 kg (75 liber). K používání systému záchranné funkce při zatížení je zapotřebí síla 0,13 kN (30 liber).

Přestaňte otáčet klikou, je-li záchranné lano zcela vytažené nebo zasunuté. Při pokračujícím otáčení by mohlo dojít k poškození součástí.

#### 4.7 DEAKTIVACE ZÁCHRANNÉ FUNKCE: Deaktivace režimu záchrany:

Když je záchranná funkce aktivní, veškeré vysunuté záchytné lano se navíjí do samonavíjecího záchytného zařízení. Z důvodů zamezení možného úrazu záchranné lano před deaktivací zatáhněte nebo jej podržte.

1. Záchranné lano odlehčete od veškeré zátěže.
2. Vytáhněte výsuvné kolečko a podržte je v odemknuté poloze.
3. Chcete-li režim záchrany deaktivovat, vytáhněte rameno kliky, poté uvolněte výsuvné kolečko.
4. Zatáhněte za záchrannou rukojeť a otáčivým pohybem o 180° ji složte do těla samonavíjecího záchytného zařízení.

### 5.0 KONTROLA

Zařízení vyřazené z provozu nelze znovu začít používat, dokud kompetentní osoba písemně nepotvrdí, že je to přípustné.

- 5.1 ČETNOST KONTROL:** Produkt musí být uživatelem zkontrolována před každým použitím, a dále musí být v nejvyšší ročních intervalech kontrolován kompetentní osobou, která není uživatel. Vyšší četnost používání zařízení a náročnější podmínky mohou vyžadovat zvýšení četnosti kontrol kompetentními osobami. Četnost těchto kontrol by měla být stanovena kompetentní osobou podle zvláštních podmínek pracoviště.
- 5.2 POSTUPY KONTROLY:** Produkt zkontrolujte podle postupů, které jsou uvedeny v části „Deník kontrol a údržby“. Vlastník tohoto zařízení by měl uchovávat dokumentaci z každé kontroly. Deník kontrol a údržby by měl být umístěn v blízkosti produktu nebo by jinak měl být snadno přístupný uživateli. Doporučuje se, aby byl produkt označen datem příští nebo poslední kontroly.
- 5.3 ZÁVADY:** Pokud nelze produkt znovu zařadit do provozu kvůli existující závadě nebo nebezpečnému stavu, je třeba jej buď zlikvidovat, nebo zaslat společnosti 3M nebo autorizovanému servisnímu středisku společnosti 3M k opravě.
- 5.4 ŽIVOTNOST VÝROBKU:** Funkční životnost produktu závisí na pracovních podmínkách a údržbě. Výrobek může být v provozu tak dlouho, dokud vyhovuje kontrolním kritériím.

### 6.0 ÚDRŽBA, SERVIS A SKLADOVÁNÍ

Zařízení, které vyžaduje údržbu nebo je u něj naplánována údržba, by mělo být označeno štítkem „NEPOUŽÍVAT“. Tyto štítky zařízení je možné odstranit až po provedení údržby.

- 6.1 ČIŠTĚNÍ:** Pro samonavíjecí zařízení se používají následující postupy čištění:
- Vnější povrch samonavíjecího zařízení pravidelně čistěte vodou a slabým mýdlovým roztokem. Uvedte samonavíjecí zařízení do polohy, ve které může přebytečná voda odtékat. Dle potřeby očistěte štítky.
  - Záchytné lano čistěte vodou a slabým mýdlovým roztokem. Opláchněte a důkladně osušte vzduchem. Nesušte umělými zdroji tepla. Nadměrné nahromadění nečistot, laků apod. může zabránit úplnému navinutí záchytného lana zpět do pouzdra, což vede k potenciálnímu nebezpečí volného pádu. V případě zjištění nadměrných nánosů záchranné lano vyměňte.
- 6.2 SERVIS:** Další údržbové a servisní postupy musejí být vykonány autorizovaným servisním střediskem. Nepokoušejte se zařízení SRD rozebrat ani promazávat jeho součásti.
- 6.3 SKLADOVÁNÍ A PŘEPRAVA:** Samonavíjecí záchytné zařízení skladujte v chladném, suchém a čistém prostředí mimo dosah přímého slunečního záření. Vyvarujte se uložení v prostorách, kde se mohou vyskytovat chemické výpary. Po delším skladování samonavíjecího zařízení důkladně prohlédněte.

### 7.0 ŠTÍTKY

Na obrázku 19 jsou znázorněny štítky na samonavíjecích záchytných zařízeních Rebel a jejich umístění. Veškeré štítky musejí být na samonavíjecím záchytném zařízení přítomny. Pokud štítky nejsou zcela čitelné, je nutné je vyměnit. Na jednotlivých štítcích jsou uvedeny následující informace:

(A)	1) Zkontrolujte hák s pojistným perem a indikátor nárazu. 2) Zkontroluje uzamykací funkci samonavíjecího zařízení SRD. 3) Připojte záchranné lano SRD k zadnímu hřbetnímu nastavci postroje. 4) Pouze u vertikálních aplikací. Nikdy neprovádějte ukotvení zařízení SRD pod zadním hřbetním nastavcem postroje. 4A) Pro úroveň ukotvení na nebo pod zadním hřbetním nastavcem postroje je vyžadováno zařízení SRD-LE. 4B) Pouze u vertikálních aplikací. Nikdy neprovádějte ukotvení zařízení SRD pod zadním hřbetním nastavcem postroje. 5) Rozsah teplot -40 °C až 60 °C 6) Maximální nosnost – 140 kg 7) Kontrolované navíjení záchranného lana do zařízení SRD. Nikdy nedopusťte volné navíjení záchranného lana. 8) Pracujte přímo pod ukotvením zařízení SRD, aby bylo minimalizováno riziko výkyvu při pádu. 9) Neopravujte. Opravy tohoto výrobku smí provádět pouze autorizované servisní středisko. 10) Samonavíjecí zařízení SRD skladujte v chladném, suchém a čistém prostředí mimo dosah slunečního záření. 11) Nezatěžujte pouzdro zařízení SRD přes hranu. 12) Neodstraňujte štítky. 13) Čtete veškeré pokyny. 14) ID ohlašovacího úřadu. 15) Měsíc další kontroly 16) Rok další kontroly 17) Rok a měsíc výroby 18) Číslo šarže 19) Číslo modelu 20) Délka záchranného lana 21) Sériové číslo
(B)	Záchranné lano spustíte otočením ramene kliky po směru hodinových ručiček. Záchranné lano zdvihnete otočením ramene kliky proti směru hodinových ručiček.
(C)	1) Vytáhněte vyprošťovací kliku. 2) Vyklopte záchrannou rukojeť z těla zařízení SRD-R. 3) Vytáhněte výsuvné kolečko a podržte je. 4) Stiskněte rameno kliky a pootočte je po směru hodinových ručiček. 5) Uvolněte výsuvné kolečko.

Tabulka 3 – Protokol kontrol a údržby

Sériová čísla:		Datum nákupu:	
Číslo modelu:		Datum prvního použití:	
Kontrolu provedl(a):		Datum kontroly:	
Součást:	Kontrola:	Uživatel	Kompetentní osoba
Samonavíjecí záchytné zařízení (Obrázek 13)	Zkontrolujte výskyt uvolněných šroubů a ohnutých nebo poškozených součástí.	<input type="checkbox"/>	<input type="checkbox"/>
	Zkontrolujte výskyt deformací, prasklin nebo jiných poškození pouzdra (A).	<input type="checkbox"/>	<input type="checkbox"/>
	Zkontrolujte výskyt deformací, prasklin nebo jiných poškození otočného oka (B). Otočné oko by mělo být bezpečně připojené k samonavíjecímu záchytnému zařízení (SRD), ale mělo by se volně otáčet.	<input type="checkbox"/>	<input type="checkbox"/>
	Záchranné lano (C) se musí vysouvat a zatahovat v plném rozsahu bez známek zpomalení nebo vytváření prověšení.	<input type="checkbox"/>	<input type="checkbox"/>
	Ujistěte se, zda zařízení při prudkém trhnutí zablokuje. Zablockování by mělo být spolehlivé, bez prokluzování.	<input type="checkbox"/>	<input type="checkbox"/>
	Všechny štítky musejí být na svém místě a plně čitelné (viz obr. 19).	<input type="checkbox"/>	<input type="checkbox"/>
	Zkontrolujte známky koroze na celé jednotce.	<input type="checkbox"/>	<input type="checkbox"/>
Otočný hák s pojistným perem a indikátor nárazu (Obrázek 14)	Zkontrolujte, zda otočný hák s pojistným perem nenese známky poškození a koroze a zda je funkční. Uložení se musí volně otáčet. Zkontrolujte indikátor nárazu. Zobrazuje-li se červený pruh (režim s indikací), došlo k zatížení nárazem a samonavíjecí záchytné zařízení je třeba odstavit z provozu a zkontrolovat. Nepokoušejte se obnovit indikátor nárazu. Samonavíjecí záchytné zařízení předejte k resetování do autorizovaného servisního střediska. UPOZORNĚNÍ: Pokud je indikátor nárazu uveden do režimu indikace, závěs se nebude volně otáčet.	<input type="checkbox"/>	<input type="checkbox"/>
Drátěné záchranné lano (Obrázek 15)	Zkontrolujte drátěné lano na výskyt zlomení, zauzlení (A), poškozených drátů (B), drátěných klecí (C), okují ze sváření (D), koroze, chemických naleptání nebo nadměrně odřených oblastí. Vysuňte kabelový tlumič (E) a zkontrolujte trhliny nebo poškození u ochranných kroužků (F) a výskyt koroze nebo zlomených pramenů u drátěného lana. Vyměňte systém drátěného lana, pokud naleznete šest nebo více náhodně rozmístěných zlomených drátů v jedné otáčce nebo tři nebo více zlomených drátů v jednom prameni v jedné otáčce. Otáčka lana je taková délka drátěného lana tvořící pramen (větší skupinu drátů), na které dojde k jednomu úplnému otočení nebo zkroucení lana. Vyměňte systém drátěného lana, pokud ve vzdálenosti do 25 mm (1") od ochranných kroužků naleznete poškozené dráty.	<input type="checkbox"/>	<input type="checkbox"/>
Rezervní záchranné lano (Obrázek 16)	Zkontrolujte popouštění rezervního záchytného lana. Pokud došlo k zachycení pádu při odvinutí převážné části záchranného lana, pravděpodobně došlo také k rozvinutí rezervního záchranného lana. Vytahujte záchytné lano ze samonavíjecího záchytného zařízení, dokud se nezastaví. Pokud je viditelný červený pruh (G), rezervní záchytné lano bylo opotřebováno a jednotku je nutné před dalším použitím předat k opravě do autorizovaného servisního střediska.	<input type="checkbox"/>	<input type="checkbox"/>
Tlumič energie samonavíjecího záchytného zařízení se závěsnou páskou (SRD-LE) (Obrázek 17)	Na samonavíjecích záchytných zařízeních se závěsnou páskou (SRD-LE) ověřte, že dosud nebyl aktivován tlumič energie. Z krytu (A) nesmějí být vytaženy žádné popruhy. Kryt musí být bezpečný a nesmí vykazovat známky potrhání (B) nebo jiného poškození.	<input type="checkbox"/>	<input type="checkbox"/>
Integrovaná ruční vyprošťovací klika (Obrázek 18)	Zkontrolujte, zda rameno kliky (A) není deformované nebo jinak poškozené. Zajistěte, aby vyprošťovací klika (B) bylo možné vyklopit a zajistit v poloze otáčení.	<input type="checkbox"/>	<input type="checkbox"/>
	Zajistěte, aby výsuvné kolečko vyprošťovacího systému (C) bylo možné vytáhnout do odblokované polohy a poté uvolnit a zkontrolujte, zda zajišťuje rameno kliky v zapojené i odpojené poloze.	<input type="checkbox"/>	<input type="checkbox"/>
	Zdviháním a spouštěním zkušebního břemena o hmotnosti nejméně 34 kg (75 liber) vyzkoušejte, zda záchranná funkce pracuje správně. Při uvolnění vyprošťovací kliky se zátěž nesmí pohybovat a klika musí setrvat v pevné poloze (bez pohybu). Při zvedání zátěže se musí ozvat zvuk 'klapnutí'.	<input type="checkbox"/>	<input type="checkbox"/>
<b>Nápravné opatření / údržba:</b>	Schválil(a):	Datum další prohlídky:	
	Datum:		
<b>Nápravné opatření / údržba:</b>	Schválil(a):	Datum další prohlídky:	
	Datum:		
<b>Nápravné opatření / údržba:</b>	Schválil(a):	Datum další prohlídky:	
	Datum:		
<b>Nápravné opatření / údržba:</b>	Schválil(a):	Datum další prohlídky:	
	Datum:		
<b>Nápravné opatření / údržba:</b>	Schválil(a):	Datum další prohlídky:	
	Datum:		
<b>Nápravné opatření / údržba:</b>	Schválil(a):	Datum další prohlídky:	
	Datum:		
<b>Nápravné opatření / údržba:</b>	Schválil(a):	Datum další prohlídky:	
	Datum:		
<b>Nápravné opatření / údržba:</b>	Schválil(a):	Datum další prohlídky:	
	Datum:		

Læs alle sikkerhedsoplysninger i denne vejledning, og sørg for, at du forstår og følger disse, før du bruger dette produkt. UNDLADELSE HERAF KAN MEDFØRE ALVORLIG PERSONSKADE ELLER DØDSFALD.

Denne vejledning skal udleveres til brugeren af udstyret. Opbevar denne vejledning til senere brug.

## Anvendelsesformål:

Dette produkt bruges som en del af et komplet faldsikringssystem.

Enhver anden brug end denne, herunder, men ikke begrænset til, materialehåndtering, rekreative eller sportslige aktiviteter eller andre aktiviteter, der ikke er beskrevet i denne vejledning, er ikke godkendt af 3M og kan medføre alvorlig personskade eller død.

Dette produkt må kun benyttes af uddannede brugere til anvendelse på arbejdspladsen.



## ADVARSEL

Dette produkt bruges som en del af et komplet faldsikringssystem. Alle brugere skal være fuldt uddannet i sikker installation og drift af deres komplette faldsikringssystem. **Misbrug af dette produkt kan medføre alvorlig personskade eller død.** For korrekt valg, betjening, installation, vedligeholdelse og service henvises til alle brugervejledninger og producentens anbefalinger. Tal med en vejleder eller kontakt 3M's tekniske service for yderligere oplysninger.

• **Udfør/overhold følgende for at reducere risici i forbindelse med brug af en selvoprullende enhed, som, hvis de ikke undgås, kan medføre alvorlig personskade eller død:**

- Undersøg produktet før hver brug og efter ethvert fald i overensstemmelse med procedurerne specificeret i denne vejledning.
- Hvis inspektionen afslører usikre eller defekte tilstande, skal produktet omgående tages ud af drift og mærkes med "MÅ IKKE BRUGES". Produktet skal destrueres eller repareres som foreskrevet i denne vejledning.
- Ethvert produkt, som har været udsat for faldstandsning eller kraftpåvirkninger, skal straks tages ud af brug. Produktet skal destrueres eller repareres som foreskrevet i denne vejledning.
- Sørg for, at faldsikringssystemer, der er sammensat af komponenter fra forskellige producenter, er kompatible og opfylder alle gældende faldsikringsbestemmelser, -standarder eller -krav. Opsøg altid en kompetent eller kvalificeret person, før du anvender disse systemer.
- Sørg for, at livlinen holdes fri for alle farer, inklusive, men ikke begrænset til: Sammenfiltrering med brugere, andre personer, kørende maskineri, andre genstande i omgivelserne eller stød fra genstande ovenover arbejdsstedet, der kan falde ned på livlinen eller brugeren.
- Du må ikke sno, binde, knytte eller tillade slæk i livlinen.
- Undgå risiko for fald i forbindelse med livlinens ben. Hvis udstyret hermed skal du fastgøre ubrugte ben på livlinen til fastgørelseselementerne til sikkerhedslineparkering.
- Antallet af tilladte brugere i henhold til denne vejledning må ikke overstiges.
- Må ikke anvendes ved hindret faldlinje. Der kræves uhindret faldvej for at låse den selvoprullende enhed. Hvis der arbejdes på langsomt rykkende materiale, såsom sand eller korn, eller inden for et snævert eller trangt område, vil arbejderen muligvis ikke opnå tilstrækkelig hastighed til automatisk låsning af den selvoprullende enhed.
- Undgå pludselige eller hurtige bevægelser under arbejdet, da dette kan medføre, at den selvoprullende enhed utilsigtet låses.
- Vær forsigtig ved installation, brug og flytning af produktet, da dele i bevægelse kan skabe potentielle klemmepunkter.
- Brug passende kantbeskyttelse, når livlinen kan komme i kontakt med skarpe kanter eller slibende overflader.
- Tag straks produktet ud af brug, hvis det har været anvendt i en nedstigning.
- Før brug skal du sørge for en ublokeret nedstigningsvej, og at landingsområdet er frit for hindringer eller farer.
- Sørg for, at produktet er korrekt konfigureret og installeret korrekt til sikker drift som beskrevet i denne vejledning.

• **For at reducere risici i forbindelse med højdearbejde, som, hvis de ikke undgås, kan medføre alvorlig personskade eller død:**

- Dit helbred og fysiske tilstand skal tillade dig at arbejde sikkert i højder og modstå alle kræfter, der er forbundet med en faldstandsning. Rådfør dig med din læge, hvis du har spørgsmål vedrørende din evne til at bruge dette udstyr.
- Overstig aldrig den tilladte kapacitet for dit faldsikringsudstyr.
- Overstig aldrig den maksimale faldafstand, der er specificeret for dit faldsikringsudstyr.
- Brug ikke faldsikringsudstyr, der under eftersyn konstateres uegnet, eller hvis du er bekymret over brugen eller egnetheden af udstyret. Kontakt 3M's tekniske service med eventuelle spørgsmål.
- Kombinationer med visse delsystemer og komponenter kan forstyrre driften af dette udstyr. Brug kun kompatible forbindelser. Rådfør dig med 3M's tekniske service, før du bruger dette udstyr sammen med andre komponenter eller delsystemer end dem, der er beskrevet i denne vejledning.
- Vær særligt forsigtig, når du arbejder i nærheden af maskiner, som bevæger sig, elektrisk fare, ekstreme temperaturer, kemiske farer, eksplosive eller giftige gasser, skarpe kanter eller under overliggende materialer, som kan falde ned på dig eller dit faldsikringsudstyr.
- Sørg for, at dit produkt er godkendt til brug med de farer, der er i dit arbejdsmiljø.
- Sørg for tilstrækkelig faldafstand ved højdearbejde.
- Faldsikringsudstyret må aldrig modificeres eller ændres. Kun 3M eller personer, som 3M skriftligt har bemyndiget, må foretage reparationer på 3M-udstyr.
- Inden du anvender faldsikringsudstyr, skal du sikre dig, at der er en skriftlig redningsplan, der giver hurtig redning, hvis der opstår et fald.
- Hvis der sker et fald, skal der straks søges lægehjælp til den faldne person.
- Brug kun en helkropssæle til anvendelser, der involverer faldstandsning. Brug ikke et kropsbælte.
- Svingfald kan minimeres ved så vidt muligt at arbejde lige under forankringspunktet.
- Der skal anvendes et sekundært faldsikringssystem, når du træner med dette produkt. Personer under uddannelse må ikke udsættes for utilsigtet faldfare.
- Brug altid passende personlige værnemidler under installation, brug eller inspektion af produktet.
- Man skal aldrig arbejde under en ophængt last eller arbejder.
- Oprethold altid 100 % afsnøring.

*Inden udstyret tages i brug, skal produktidentifikationsoplysningerne fra ID-mærkatene noteres i inspektions- og vedligeholdelsesloggen på bagsiden af denne vejledning.*

*Sørg altid for, at du bruger den seneste udgave af din 3M-brugervejledning. Besøg 3M-webstedet, eller kontakt 3M's tekniske service for at få opdaterede brugervejledninger.*


## BESKRIVELSE:

Figur 2 identificerer vigtige komponenter i Protecta Rebel selvopruddende anordninger (SRD'er). Rebel SRD'er er tromlevklede stålkabellivliner (A), som trækker sig tilbage i et hus af termoplast eller aluminium (B). De kan hænge fra et forankringspunkt med en karabinhage fastgjort gennem forankringsøjet (C) øverst på SRD'en. En selvåsende snapkrog (D) på enden af livlinen fastgøres til den dertilhørende faldstandsningstilslutning på en helkropssele. En kabelfanger (E) beskytter stålkablet og ferrulerne ved at sikre snapkrogen mod slitage og korrosion.

Figur 1 definerer de Rebel SRD-modeller, der dækkes af denne brugsanvisning. Følgende SRD-typer er tilgængelige:

- **Selvopruddende anordning (figur 2A):** Selvopruddende anordninger (SRD'er) er velegnede til anvendelser, hvor livlinen generelt forbliver lodret under brug, og hvor et muligt frit fald er begrænset til 0,6 m (2 fod).
- **Selvopruddende anordninger med Leading Edge (figur 2B):** Selvopruddende anordninger med Leading Edge (SRD-LE'er) er velegnede til anvendelser, hvor livlinen generelt forbliver vandret under brug, og hvor et muligt frit fald er begrænset til 1,5 m (5 fod). SRD-LE'er har en integreret energiabsorber (F) eller lignende for at modstå stødbelastning af livlinen over en skarp eller slibende kant under faldstandsning samt for at minimere faldstandsningens kraften på brugeren.
- **Selvopruddende anordning med redning (figur 2C):** Selvopruddende anordninger med redning (SRD-R'er) omfatter en integreret funktion til assisteret redning ved at hæve eller sænke den person, der reddes. SRD-R'er er udstyret med et hentningshåndsving med tre nødhentningsfunktioner (G). Nogle modeller kan omfatte et beslag til montering på trefod (H), der gør det muligt at montere SRD-R'en på benet på en trefod til anvendelser med begrænset plads.

**Tabel 1 – Specifikationer**

 Hylsterets halvdele	Materiale
9508320 + 9520047	Aluminium – 15 m (50 fod) SRD-R'er
9511070 + 9511071	Termoplast – 6 m (20 fod) SRD'er, 10 m (33 fod) SRD'er og 6 m (20 fod) Leading Edge SRD-LE'er
9520021 + 9520022	Aluminium – 6 m (20 fod) og 10 m (33 fod) SRD'er
9520044 + 9520045	Termoplast – 15 m (50 fod) SRD'er og 10 m (33 fod) Leading Edge SRD-LE'er
9520046 + 9520047	Aluminium – 15 m (50 fod) SRD'er
9520056 + 9520057	Termoplast – 20 m (66 fod), 25 m (82 fod), 30 m (100 fod) SRD'er
9520058 + 9520059	Aluminium – 20 m (66 fod), 25 m (82 fod) og 30 m (100 fod) SRD'er

 Livline	Beskrivelse	Krog
9501087 + 2000175	5,56 mm (7/32") galvaniseret stålkabel, selvåsende, drejelig snapkrog i stållegering med indikator.	2000175
9501479 + 2000175	4,76 mm (3/16") galvaniseret stålkabel, selvåsende, drejelig snapkrog i stållegering med indikator.	2000175
9501613 + 2000170	4,76 mm (3/16") rustfrit stålkabel, selvåsende, drejelig karabinhage i rustfrit stål med indikator.	2000170
9501613 + 2000175	4,76 mm (3/16") rustfrit stålkabel, selvåsende, drejelig snapkrog i stållegering med indikator.	2000175
9501613 + 2100044	4,76 mm (3/16") rustfrit stålkabel, selvåsende, drejelig snapkrog i rustfrit stål med indikator.	2100044

Krog	Beskrivelse	Materiale	Ledstyrke	Halsstørrelse
2000170	Selvåsende, drejelig karabinhage med belastningsindikator	Rustfrit stål	16 kN (3.600 lbf)	1,9 cm (0,75")
2000175	Selvåsende, drejelig snapkrog med belastningsindikator	Galvaniseret stål	16 kN (3.600 lbf)	1,9 cm (0,75")
2100044	Selvåsende, drejelig snapkrog med belastningsindikator	Rustfrit stål	16 kN (3.600 lbf)	1,9 cm (0,75")

<b>Trækstyrke for livline af stålkabel:</b>	9501479 – 4,76 mm (3/16") dia. Galvaniseret stål Min. Trækstyrke 18,7 kN (4.200 lbf) 9501613 – 4,76 mm (3/16") dia. Rustfrit stål Min. Trækstyrke 16,0 kN (3.600 lbf) 9501087 – 5,55 mm (7/32") dia. Galvaniseret stål Min. Trækstyrke 24,9 kN (5.600 lbf)
<b>Maks. løftebelastning for SRD-R:</b>	135 kg (298 lb.)
<b>Forankringsstyrke</b>	12 kN (2,697 lbf)

**Tabel 1 – Specifikationer**

<b>SRD-specifikationer</b>	<b>CE-modeller (EN 360)</b>
<b>Kapacitetsområde:</b>	59-140 kg (130 -310 lb.)
<b>Maksimal standsekraft:</b>	6 kN (1.350 lbf)
<b>Gennemsnitlig standsekraft:</b>	4,0 kN (900 lbf)
<b>Maksimal standseafstand:</b> <i>*Antager, at SRD'en er monteret direkte over brugeren.</i>	1,1 m (42")
<b>Minimal påkrævet faldafstand:</b> <i>*Antager, at SRD'en er monteret direkte over brugeren.</i>	1,8 m (6 fod)
<b>Maksimalt frit fald:</b> <i>*SRD'en skal monteres over brugerens D-ring.</i>	0,6 m (2 fod)

<b>SRD-LE-specifikationer</b>	<b>CE-modeller (EN 360 + CNB/P/11.060)</b>
<b>Kapacitetsområde:</b>	59-140 kg (130 -310 lb.)
<b>Maksimal standsekraft:</b>	6 kN (1.350 lbf)
<b>Gennemsnitlig standsekraft:</b>	4 kN (900 lbf)
<b>Maksimal standseafstand:</b> <i>*Antager, at SRD'en er monteret direkte over brugeren.</i>	1,1 m (42")
<b>Minimal påkrævet faldafstand:</b>	Lodret: 1,8 m (6 fod) Vandret: 5,03 m (16,5 fod)
<b>Maksimalt frit fald:</b> <i>*SRD'en skal monteres over brugerens D-ring.</i>	0,6 m (2 fod)
<b>Maksimalt frit fald – LE:</b> <i>*Målt fra brugerens D-ring til arbejdsfladen.</i>	1,5 m (5 fod)

## 1.0 ANVENDELSE

- 1.1 FORMÅL:** 3M selvoprullende anordninger (SRD'er) er designet til at være komponenter i et personligt faldstandsningssystem (PFAS). Figur 1 illustrerer SRD'er, der er omfattet af denne brugsanvisning, og deres typiske anvendelsesområder. De kan anvendes i de fleste situationer, hvor der er behov for en kombination af arbejdsmobilitet og faldsikring af arbejderne (for eksempel inspektionsarbejde, alment konstruktionsarbejde, vedligeholdelsesarbejde, olieproduktion, arbejde i indsnævrede rum osv.).
- 1.2 STANDARDER:** Din SRD lever op til de nationale eller regionale standarder, der er angivet på forsiden af denne brugsanvisning. Hvis dette produkt videresælges uden for det oprindelige modtagerland, skal den person, der videresælger, sørge for vejledning i brug, vedligeholdelse, regelmæssig inspektion og reparation på sproget i det land, hvor produktet skal bruges.
- 1.3 UDDANNELSE:** Dette udstyr skal anvendes af personer, der har modtaget uddannelse i korrekt anvendelse og brug heraf. Det er brugerens ansvar at sikre, at de er bekendt med denne vejledning, og at de har modtaget uddannelse i korrekt pleje og brug af dette udstyr. Brugere skal være bekendt med funktionsmæssige egenskaber, anvendelsesbegrænsninger og konsekvenser af forkert brug.
- 1.4 BEGRÆNSNINGER:** Tag altid højde for de følgende begrænsninger og krav, når udstyret installeres eller anvendes:
- **Kapacitet:** Denne SRD er overensstemmelsestestet til brug af en person med en samlet vægt (tøj, værktøj osv.) fra 59 kg til 140 kg (130 pund til 310 pund).<sup>1</sup> Sørg for, at alle komponenter i dit system er klassificeret til en kapacitet, som svarer til din anvendelse.
  - **Forankring:** Kravene til forankring varierer alt efter faldsikringsanvendelsen. Strukturen, på hvilken forankringskonnektoren placeres eller monteres, skal opfylde forankrings-specifikationerne, der er defineret i tabel 1.
  - **Låsningshastighed:** Situationer, som ikke muliggør en uhindret faldvej, bør undgås. Arbejde i snævre eller trange områder vil muligvis ikke lade kroppen nå en tilstrækkelig hastighed til, at SRD'en låser i tilfælde af et fald. Arbejde på langsomt rykkende materialer såsom sand eller korn giver muligvis ikke tilstrækkelig hastighed til, at SRD'en låser. Der kræves uhindret faldlinje for at sikre låsning af den selvtilbagetrækkende anordning.
  - **Frit fald:** Korrekt brug af en SRD ved overliggende anvendelse vil minimere afstanden ved frit fald. Følg instruktionerne nedenfor for at forhindre en øget afstand ved frit fald:
    - Livlinen må aldrig fastgøres, bindes eller på anden måde forhindres i at trække sig tilbage eller forblive stram.
    - Undgå helt at livlinen på SRD'en er slap.
    - Arbejd ikke over dit niveau for forankring.
    - Undlad at forlænge SRD'en ved at tilkoble et taljereb eller en lignende komponent uden først at rådføre dig med 3M.

Se tabel 1 i denne instruktion for produktrelateret information i relation til frit fald og faldafstandsværdier.

- **Svingfald:** Svingfald sker, når forankringspunktet ikke er direkte over det punkt, hvor faldet finder sted. Den kraft, der udøves, når en genstand rammes i et svingfald, kan forårsage alvorlig personskade (se figur 3A). Svingfald kan minimeres ved så vidt muligt at arbejde lige under forankringspunktet (figur 3B). Når der arbejdes væk fra forankringspunktet (figur 3C), øges virkningen af et svingfald og den krævede faldafstand (FC).
- **Faldafstand:** Figur 3B viser beregning af faldafstand. Faldafstand (FC) er summen af frit fald (FF), decelerationsafstand (DD) og en sikkerhedsfaktor (SF):  $FC = FF + DD + SF$ . D-ringens glidning og selestrækning er indregnet i sikkerhedsfaktoren. Værdier for faldafstand er beregnet og anført i figur 4. A sikkerhedsfaktor på 1 m (3,28 fod) blev anvendt for alle værdier i figur 4.  
Figur 3B og 3C illustrerer faldafstand. Ved fald fra en stående position, hvor SRD'er er forankret direkte over hovedet (figur 3B), skal SRD-faldstandsningssystemet have en minimumsfaldafstand, som specificeret i tabel 1. Fald fra en knælende eller liggende stilling vil kræve yderligere 1 meters faldafstand. I en svingfaldssituation (figur 3C) vil den samlede lodrette faldafstand være større, end hvis brugeren var faldet direkte under forankringspunktet, og kan kræve yderligere faldhøjde. Figur 4 og den medfølgende tabel definerer den maksimale arbejdsradius (C) for diverse SRD-forankringshøjder (A) og faldlængder (B). Den anbefalede arbejdszone er begrænset til området inden for den maksimale arbejdsradius.
- **Farer:** Når dette udstyr anvendes i farlige områder, kan det være nødvendigt at træffe yderligere forholdsregler for at reducere risikoen for, at brugeren kommer til skade, eller at udstyret beskadiges. Faremomenter kan omfatte men er ikke begrænset til: stærk varme, ætsende kemikalier, korrosive miljøer, højspændingsledninger, eksplosive eller giftige gasser, kørende maskineri eller overliggende materialer, som kan falde ned og ramme brugeren eller faldstandsningssystemet. Undgå at arbejde på steder, hvor din livline kan krydse eller sammenfiltres med en anden arbejders line. Undgå at arbejde, hvor genstande kan falde ned og ramme livlinen og medføre, at man mister balancen, eller at livlinen beskadiges. Lad ikke livlinen gå ind under armene eller mellem benene.
- **Skarpe kanter:** Undgå at arbejde, hvor livlinen kan komme i kontakt med eller skrabe mod skarpe kanter. Hvor kontakt med en skarp kant ikke kan undgås, skal kanten dækkes med et beskyttende materiale.

<sup>1</sup> **Kapacitet:** Er SRD'er med tre hentningsfunktioner vurderet til en maksimal løftevægt på 135 kg (298 pund).

## 2.0 BRUG

- 2.1 REDNINGSPLAN:** Når dette udstyr anvendes, skal arbejdsgiveren have en redningsplan samt midlerne til at implementere den til rådighed og kommunikere denne plan til brugere, autoriserede personer og reddere.
- 2.2 INSPEKTIONSHYPPIGHED:** SRD'er skal efterses af den autoriserede person<sup>1</sup> eller redder<sup>2</sup> før hver anvendelse (se tabel 2). Desuden skal eftersyn foretages af en anden kvalificeret person<sup>3</sup> end brugeren med intervaller, der ikke overstiger et år. Ekstreme arbejdsforhold (barsk miljø, langvarig brug osv.) kan gøre det nødvendigt at øge hyppigheden af inspektioner af den kvalificerede person. Inspektionsprocedurer er beskrevet i "Inspektions- og vedligeholdelsesloggen" (tabel 3). Resultaterne af den kvalificerede persons inspektion skal registreres i "Inspektions- og vedligeholdelsesloggen" eller med RFID-systemet.
- 2.3 NORMAL FUNKTION:** Under normal funktion rulles livlinen ud og op igen uden modstand og uden at blive slap, når arbejderen bevæger sig med normal hastighed. I tilfælde af et fald vil et hastighedsfølsomt bremsesystem blive aktiveret og stoppe faldet samt absorbere en stor del af den skabte energi. Pludselige eller hurtige bevægelser bør undgås under normal arbejdsgang, da det kan medføre, at SRD'en låser. For fald, som sker nær slutningen af livlinens vandring, er der indbygget et reservelivlinesystem eller en energiabsorberende komponent for at reducere kraften i faldstandsningen. Hvis SRD'en er blevet udsat for kraftpåvirkninger fra standsning af fald, skal den tages ud af tjeneste, markeres som "UBRUGELIG", inspiceres og serviceres i overensstemmelse med afsnit 5 og 6.
- 2.4 KROPSSLE:** Der skal anvendes en helkropssele med den selvopullende anordning. Selens samlingspunkt skal være over brugerens tyngdepunkt. Det er ikke tilladt at anvende et kropsbælte sammen med den selvopullende anordning. Hvis der sker et fald, mens der bruges et kropsbælte, kan det medføre utilsigtet udløsning eller fysisk trauma fra forkeret kropsstøtte.
- 2.5 KOMPONENTKOMPATIBILITET:** Medmindre andet er anført, må 3M-udstyr kun bruges sammen med 3M-godkendte komponenter og delsystemer. Udsiftning eller reparation med ikke-godkendte komponenter eller delsystemer kan bringe udstyrets kompatibilitet i fare og kan påvirke det komplette systems sikkerhed og pålidelighed. Følg producentens anvisninger for komponenter og delsystemer i dit personlige faldstandsningssystem.
- 2.6 KONNEKTORKOMPATIBILITET:** Konnektorer betragtes som kompatible med forbindelsesanordninger, når de er konstrueret til at fungere sammen på en sådan måde, at størrelserne og formerne ikke får deres ledmekanismer til utilsigtet at åbne sig, uanset hvordan de bliver vendt. Kontakt 3M, hvis du har spørgsmål vedrørende kompatibilitet.

Konnektorer, som anvendes til ophæng af SRD'en, skal være i overensstemmelse med EN362. Konnektorer skal være kompatible med forankringen og andre systemkomponenter. Anvend ikke udstyr, der ikke er kompatibelt. Ikke-kompatible konnektorer kan løsrive sig ved et uheld (se Figur 5). Konnektorer skal være kompatible med hensyn til størrelse, form og styrke. Der kræves selvlåsende snapkroge og karabinhager. Hvis tilslutningselementet, som en snapkrog eller karabinhage er fastgjort til, er for lille eller har en uregelmæssig form, kan der opstå en situation, hvor tilslutningselementet belaster snapkrogens eller karabinhagens led (A). Denne belastning kan medføre, at leddet åbnes (B), således at snapkrogen eller karabinhagen løsrives fra forbindelsespunktet (C).

- 2.7 FORBINDELSER:** Snapkroge og karabinhager anvendt med dette udstyr skal være selvlåsende. Sørg for, at alle forbindelser er kompatible i størrelse, form og styrke. Anvend ikke udstyr, der ikke er kompatibelt. Sørg for, at alle konnektorer er helt lukkede og låste. 3M-konnektorer (snapkroge og karabinhager) er udelukkende konstrueret til brug som specificeret i hvert produkts brugsanvisning. Se Figur 6 for eksempler på forkerte forbindelser. Tilslut ikke snapkroge og karabinhager:
- Til en D-ring som en anden konnektor er fastgjort til.
  - På en måde som vil medføre belastning på leddet. Store snapkroge med halsåbning bør ikke forbindes til en D-ring i standardstørrelse eller til lignende genstande, der vil medføre en belastning på leddet, hvis krogen eller D-ringen vrides eller drejes, medmindre snapkrogen er udrustet med en 16 kN-port (3.600 pund). Kontrollér mærkatet på din snapkrog for at bekræfte, at den er egnet til din anvendelse.
  - Ved forkert tilkobling, hvor dele, som stikker ud fra snapkrogen eller karabinhagen, kan få fat i ankeret og se ud til at være korrekt fastgjort til forankringspunktet, hvis ikke der tjekkes grundigt.
  - Til hinanden.
  - Direkte til remtøj, taljereb eller forankringslinen, (medmindre producentens vejledning for både taljereb og konnektor specifikt tillader en sådan tilslutning).
  - Til en genstand med en form eller størrelse, som gør, at snapkrogen eller karabinhagen ikke vil lukke og låse, eller som kan få linen til at rulle sig ud.
  - På en måde som forhindrer konnektoren i at flugte korrekt under belastning.

Tabel 2 – Inspektionsskema

Brugstype	Eksempler på anvendelse	Brugsbetingelser	Inspektionshyppighed Kvalificeret person
Lejlighedsvis til let	Redning og snævre områder, fabriksvedligeholdelse	Gode opbevaringsbetingelser, indendørs eller lejlighedsvis udendørs brug, stuetemperatur, rene omgivelser	Årligt
Moderat til massiv	Transport, boligbyggeri, forsyningsværker, lagerbygninger	Rimelige opbevaringsbetingelser, indendørs og omfattende udendørs brug, alle temperaturer, rene eller støvede omgivelser	Halvårligt til årligt
Alvorlig til kontinuerlig	Erhvervsbyggeri, olie og gas, minearbejde	Barske opbevaringsbetingelser, langvarig eller kontinuerlig udendørs brug, alle temperaturer, beskidte omgivelser	Kvartalsvist til halvårligt

**1 Autoriseret person:** En person, der er udpeget af arbejdsgiveren til at udføre opgaver på en belliggenhed, hvor personen vil være udsat for en faldrisiko.

**2 Redder:** Person eller personer, udover den person, der bliver reddet, som handler for at foretage en assisteret undsætning ved brug af et redningssystem.

**3 Kvalificeret person:** Et individ, der af arbejdsgiveren er udpeget til at være ansvarlig for det umiddelbare tilsyn, implementering og overvågning af arbejdsgiverens anvendte faldsikringsprogram, som, gennem uddannelse og viden, er i stand til at identificere, vurdere og afhjælpe eksisterende og potentielle risici for fald, og som på arbejdsgiverens vegne har tilladelse til straks at træffe korrigerende foranstaltninger med hensyn til sådanne risici.



**2.8 SELVOPRULLENDE ENHEDER MED LEADING EDGE (SRL-LE):** SRD'erne, der er dækket af denne brugsanvisning, omfatter selvoprullende enheder med Leading Edge-egenskaber (SRL-LE'er). Se figur 1 for specifikke SRL-LE-modeller. SRL-LE'er blev testet for vandret brug og fald over en stålkant uden grat. SRL-LE'er kan bruges i situationer, hvor et fald kan forekomme over stålkanter såsom dem, der findes på stålfomer eller metalplader.

**Forholdsregler ved brug af Leading Edge:** Efterlev følgende forholdsregler ved brug af SRL-LE'er:

- Den tilladte vinkel for omdirigering af livlinedelen af SRL-LE ved den kant, hvor faldet kan forekomme (målt mellem de to sider, der dannes ved omdirigeringen af livlinen), skal være mindst 90 grader (se figur 7).
- Forankringspunktet skal placeres i samme højde som den kant, der er risiko for at falde ud over, eller over kanten. Forankringspunkter under kanten er farlige, fordi de får livlinen til at skifte retning i en vinkel, der er skarpere end 90 grader (se figur 7).
- Få oplysninger i afsnit 1 om begrænsninger af det tilladte arbejdsområde i forhold til forankringspunktet, inklusive faktorer såsom svingfald og slibning af linen ved kanten og brugen af et enkelt forankringspunkt i modsætning til ankre, der giver mulighed for vandret bevægelse (f.eks. vandret livline eller vandret skinne).
- SRL-LE'er kan kun bruges med en vandret livline eller vandret skinne i overensstemmelse med produktvejledningen for den vandrette livline eller vandrette skinne.
- Undlad at arbejde på den fjerne side af en åbning, modsat SRD'ets forankringspunkt.
- Det kan være nødvendigt med særlige redningsforanstaltninger ved fald over en kant.
- Når du planlægger din Leading Edge-anvendelse, bør du sørge for at arbejdsområdets parametre er inden for den mindste tilbagerkningsafstand, maksimale distance på frit fald og mindste krævede faldafstand ved fald over en kant som angivet i SRL-LE-mærkningen.

**Beregning af Leading Edge-faldafstand:** Den mindste krævede faldafstand ved fald over en kant kan beregnes baseret på tilbagerkningsafstand og distance langs kanten af din Leading Edge-anvendelse (se figur 8). For at beregne faldafstand fra tabellen i figur 8:

1. Vælg den værdi, der er tættest på din tilbagerkningsafstand (A), i overskrifterne i venstre række.
2. Vælg den værdi, der er tættest på din arbejdsafstand langs kanten (B) fra overskrifterne i øverste kolonne. Skyggelagte områder uden værdier angiver at afstanden langs kanten er uden for den sikre arbejdsradius for din valgte tilbagerkningsafstand.
3. Den krævede afstand ved fald over en kant (C) vil være den værdi, der er angivet, hvor den valgte række i trin 1 og den valgte kolonne i trin 2 krydser hinanden.
4. Gentag de tidligere trin for hver kant, hvor arbejderen potentielt kan falde, for at vælge en sikker placering af forankring og tilladelig arbejdsradius.

**CE-definitioner af skarpe kanter:** Disse selvoprullende CE-anordninger er godkendte i test til vandret brug samt til fald over en stålkant uden grater. De viste krav til tilbagerkningsafstanden vist på figur 8 skal overholdes. Undgå at arbejde på steder, hvor livlinen kontinuerligt eller gentagne gange skraber imod skarpe eller slibende kanter. Fjern risikoen for denne type kontakt, eller dæk de skarpe kanter med en tyk pude eller andre midler. Kanttyper defineres som følger:

**VG 11.60 revision 6 Type A-kantdefinition:** En stålkant med en radius på  $r=0,5$  mm og uden grat blev anvendt til testen. I henhold til testning må udstyret bruges over lignende kanter, som findes i forbindelse med valsede stålprofiler, træbjælker eller beklædte, afrundede tagrækværker.

### 3.0 INSTALLATION

- 3.1 PLANLÆGNING:** Planlæg dit faldsikringsystem inden du starter arbejdet. Tag højde for alle faktorer, der kan påvirke din sikkerhed inden, under og efter et fald. Overvej alle krav og begrænsninger angivet i denne manual.
- 3.2 FORANKRING:** Figur 9 viser almindelige SRD-forankringstilslutninger. Forankringen (A) skal befinde sig umiddelbart ovenover for at minimere faren ved frit fald og svingfald (se afsnit 2). Vælg et fast forankringspunkt, der er i stand til at modstå de statiske belastninger, der er beskrevet i afsnit 2.2. Forankringsøjlet på SRD'en er udstyret med en karabinhage (B). Fastgør karabinhagen direkte på forankringsstrukturen (armeringsstang, vinkeljern osv.), en afsnøringsadapter (C) eller et forankringstilslutningspunkt (D).
- 3.3 SELEFORBINDELSE:** En helkropssæle er påkrævet til faldstandsningens anvendelser. Fastgør snapkrogen (A) på SRD-livlinen til bageste D-ring (B) på helkropssælen. (Se figur 10). Til formål såsom klatring på stiger kan det være en god ide at koble den fast til D-ringen på brystet. Se producenten af faldselens anvisninger for oplysninger om faldselens tilslutningspunkter.
- 3.4 MONTERING PÅ TREFOD:** Figur 11 illustrerer monteringen af den selvopruddende Rebel-anordning med hentningshåndsving på en Protecta-trefod. SRD-R'en er monteret på et af trefodens ben, og livlinen løber gennem et taljebloksystem på trefodens hoved. Se vejledningen, der følger med din trefod og dit monteringsbeslag for oplysninger.

### 4.0 BRUG

*Personer, der bruger Rebel selvopruddende anordninger (SRD'er) for første gang, eller kun bruger dem sjældent, bør gennemgå "Sikkerhedsoplysninger" i starten af denne vejledning før brug af SRD'en.*

- 4.1 FØR HVER IBRUGTAGNING:** Kontrollér, at dit arbejdsområde og faldsikringsystem opfylder alle kriterier, der er angivet i denne brugervejledning. Sørg for, at der forefindes en formaliseret redningsplan. Inspicer produktet i henhold til inspektionspunkterne under "Bruger", der er defineret i "Inspektions- og vedligeholdelsesloggen". Hvis inspektionen påviser en usikker eller defekt tilstand, eller hvis der er tvivl om, hvorvidt produktet er intakt eller sikkert at bruge, skal det omgående tages ud af drift. Mærk det tydeligt "MÅ IKKE ANVENDES". Se afsnit 5 for at få flere oplysninger.
- 4.2 EFTER ET FALD:** Alt udstyr, der har været udsat for kraftpåvirkningen ved en faldstandsning, eller som udviser skader, der svarer til dem, der opstår ved en sådan kraftpåvirkning som beskrevet i afsnit 5, skal øjeblikkeligt tages ud af drift, markeres som "IKKE EGNET TIL BRUG" og serviceres som anført i afsnit 5 og 6.
- 4.3 KROPSSTØTTE:** Når du anvender 3M-SRD'er, skal du anvende en helkropssæle. Til generel faldsikringsbrug kobles den til den bageste D-ring på ryggen. Til formål såsom klatring på stiger kan det være en god ide at koble den fast til D-ringen på brystet. Se producenten af faldselens anvisninger for oplysninger om faldselens tilslutningspunkter.
- 4.4 ETABLERING AF SAMMENKOBLINGER:** Foretages sammenkoblingen med en krog, skal du sørge for, at linen ikke kan rulle ud (se figur 5). Undlad at bruge kroge eller konnektorer, der ikke lukker fuldstændigt over det tilkoblede emne. Undlad at bruge ikke-låsende snapkroge. Monteringsoverfladen skal leve op til kravene til forankringsstyrke som angivet i afsnit 2.2. Følg altid de anvisninger fra producenten, der leveres med hver enkelt systemkomponent.
- 4.5 ANVENDELSE:** Efterse SRD'en som beskrevet i afsnit 5.0. Kobl SRD'en til en passende forankring eller en forankringskonnektor som tidligere beskrevet. Forbind den selvslående karabinhage på enden af livlinen med D-ringen på ryggen af helkropssælen (se figur 10). Sørg for, at alle fastgørelser er kompatible i størrelse, form og styrke. Sørg for, at karabinhagen er helt lukket og låst. Når først arbejderen er fastgjort, kan denne frit bevæge sig omkring inden for det anbefalede arbejdsområde ved normal hastighed. Hvis RSQ-vælgegrebet er indstillet til "faldsikring", standser SRD'en faldet. Hvis RSQ-vælgegrebet er indstillet til "nedstigning", sænker SRD'en automatisk brugeren ned til et lavere niveau i tilfælde af et fald. Under arbejde med en SRD skal du altid lade livlinen rulle tilbage i anordningen, mens du holder øje med den. Det kan være nødvendigt at anvende en holdeline for at forlænge eller tilbagetrække livlinen under forbindelses- og frakoblingshandlinger. Der kan anvendes en holdeline til at forhindre, at livlinen trækkes ukontrolleret tilbage i SRD'en. Afhængigt af arbejdsstedets miljø og forhold kan det være nødvendigt at fastgøre holdelinens frie ende for at forhindre, at den forårsager forstyrrelser eller vikler sig ind i udstyr eller maskineri.
- 4.6 HENTNINGSFUNKTION:** Figur 12 viser betjeningen af det integrerede håndsving til redning på Rebel SRD-R'en med hentningsfunktion. Forsøg ikke at anvende hentning med livlinen trukket helt tilbage. Aktivering af hentningstilstanden og brug af hentningshåndsving til redning:
1. Træk ud i hentningshåndtaget for at udløse krumtaparmen.
  2. Drej hentningshåndsvinget 180° ud i forhold til SRD'ens hoveddel.
  3. Træk og hold skifteknuglegrebet i den ulåste position.
  4. Skub krumtaparmen ind, og slip skifteknuglegrebet for at aktivere. Drej om nødvendigt krumtaparmen med uret for at lette aktivering af spillet.
  5. Hævning og sænkning af livlinen som vist på figur 12:
    - A. Hævning: Drej krumtaparmen mod uret.
    - B. Sænkning: Drej krumtaparmen en smule mod uret lidt for at udløse faldstandsningens bremsen, og drej derefter krumtaparmen med uret.

*Det integrerede håndsving til redning på SRD-R-modeller med tre nødhentningsfunktioner er kun til redningsformål og bør ikke anvendes til arbejdspositionering eller løftning/sænkning af materialer.*

*Rebel SRD-R'er omfatter ikke en overbelastningskobling, som begrænser den kraft, der udøves på drevkomponenterne og den fastgjorte person. Undgå en slap line i hentningstilstanden. Desuden skal personen overvåges under hentning for at sikre, at vedkommende ikke udsættes for overdreven belastning ved fortsat løftning efter sammenstød med en forhindring.*

Der kræves en minimumsbelastning på 33,9 kg (75 lb.) for at sænke eller fire livlinen ud. Der kræves en kraft på 0,13 kN (30 lb.) for at betjene hentningssystemet, når det er fuldt lastet.

Hold op med at dreje armen, når livlinen er helt udtrukket eller tilbagetrukket. Fortsat omdrejning kan beskadige komponenter.

#### 4.7 DEAKTIVERING AF HENTNINGSFUNKTIONEN: Sådan deaktiveres hentningstilstanden:

Når hentningstilstanden er deaktiveret, trækkes livlinens forlængelse ind i SRD'en. Træk livlinen tilbage før deaktiveringen, eller hold fast i livlinen for at undgå personskade.

1. Fjern enhver belastning fra livlinen.
2. Træk og hold skifteknuglegrebet i den ulåste position.
3. Træk krumtaparmen ud for at deaktivere, og slip så skifteknuglegrebet.
4. Træk hentningshåndsvinget ud, og drej det 180° mod SRD'ens hoveddel til sammenfoldet position.

## 5.0 INSPEKTION

Når udstyret er taget ud af brug, kan det ikke tages i brug igen, før en kompetent person skriftligt bekræfter, at det er godkendt til brug.

- 5.1 INSPEKTIONSHYPPIGHED:** Produktet skal inspiceres af brugeren før hver anvendelse og desuden af en anden kompetent person end brugeren mindst én gang om året. Hyppigere brug af udstyret og udfordrende anvendelsesforhold kan kræve hyppigere inspektioner fortaget af en kompetent person. Hyppigheden af disse inspektioner skal fastsættes af den kompetente person efter hensyntagen til arbejdsstedets specifikke forhold.
- 5.2 INSPEKTIONSPROCEDURER:** Efterse dette produkt i henhold til procedurerne anført i "Inspektions- og vedligeholdelseslog". Ejeren af dette udstyr skal føre dokumentation for hver inspektion. En inspektions- og vedligeholdelseslog skal placeres i nærheden af produktet eller på anden vis være let tilgængelig for brugerne. Det anbefales, at produktet markeres med datoen for næste eller sidste inspektion.
- 5.3 DEFEKTER:** Hvis produktet ikke kan tages i brug igen på grund af en eksisterende defekt eller usikker tilstand, skal produktet enten destrueres eller sendes til reparation hos 3M eller et 3M-autoriseret servicecenter.
- 5.4 PRODUKTETS BRUGSLEVETID:** Produktets driftsmæssige levetid bestemmes af arbejdsbetingelserne og den konkrete vedligeholdelse. Så længe produktet godkendes ved inspektionen, må det fortsat bruges.

## 6.0 VEDLIGEHOLDELSE, SERVICE OG OPBEVARING

Udstyr, der har brug for vedligeholdelse, eller der skal udføres vedligeholdelse af, skal mærkes "MÅ IKKE ANVENDES". Disse udstyrmærkater må ikke fjernes, før der er udført vedligeholdelse af udstyret.

- 6.1 RENGØRING:** Rengøringsprocedurerne for den selvopullende anordning er som følger:
- Rengør regelmæssigt SRD'en udvendigt med vand og en mild sæbeopløsning. Placer SRD'en således, at overskydende vand kan løbe ud. Rengør mærkaterne efter behov.
  - Rengør livlinen med vand og en mild sæbeopløsning. Skyl grundigt og lad lufttørre. Undlad hurtig tørring med varme. Overdreven ophobning af snavs, maling osv. kan forhindre livlinen i at trække sig helt tilbage i huset, hvilket kan udgøre en potentiel risiko ved frit fald. Udskift livlinen hvis der er opstået overdreven ophobning.
- 6.2 SERVICE:** Yderligere vedligeholdelses- og serviceprocedurer skal foretages af et autoriseret servicecenter. Forsøg ikke at skille SRD'en ad eller smøre dens komponenter.
- 6.3 OPBEVARING OG TRANSPORT:** Transportér og opbevar den selvopullende anordning på et køligt, tørt og rent sted væk fra direkte sollys. Undgå steder, hvor der kan forekomme kemikaliedampe. Efterse altid SRD'en omhyggeligt efter længere tids opbevaring.

## 7.0 MÆRKATER

Figur 19 viser etiketterne på de selvopullende Rebel-anordninger og deres placeringer. Alle mærkater skal være til stede på SRD'en. Mærkater skal udskiftes, hvis de ikke kan læses. Hver mærkat viser følgende oplysninger:

A	1) Efterse snapkrog og belastningsindikator. 2) Kontrollér, at SRD'en låser korrekt. 3) Forbind SRD-livlinen til selens tilslutningspunkt på ryggen. 4) Kun lodret anvendelse. Forankr aldrig SRD'en under selens tilslutningspunkt på ryggen. 4A) Leading Edge SRD-LE er påkrævet for et forankringsniveau på eller under selens tilslutningspunkt på ryggen. 4B) Kun lodret anvendelse. Forankr aldrig SRD'en under selens tilslutningspunkt på ryggen. 5) Temperaturområde -40 °C til 60 °C 6) Maksimal kapacitet - 140 kg 7) Kontrollér tilbagetrækning af livlinen ind i SRD'en. Lad aldrig livlinen slå frit tilbage. 8) Arbejd direkte under SRD'ens forankring for at minimere svingfald. 9) Må ikke repareres. Dette produkt skal serviceres af et autoriseret servicecenter. 10) Opbevar SRD'er på et køligt, tørt sted uden for direkte sollys. 11) Belast ikke SRD-hylstret over en kant. 12) Mærkater må ikke fjernes. 13) Læs alle instruktioner. 14) ID for bemyndiget organ. 15) Måned for næste inspektion 16) År for næste inspektion 17) Fremstillingsår og -måned 18) Partinummer 19) Modelnummer 20) Længde på livline 21) Serienummer
B	Drej krumtaparm med uret for at sænke livlinen. Drej krumtaparm mod uret for at hæve livlinen.
C	1) Træk ud i hentningshåndtaget. 2) Fold hentningshåndsvinget ud af SRD'ens hoveddel. 3) Træk ud i skifteknuglegrebet og hold det. 4) Tryk krumtaparmen ind og roter den i urets retning. 5) Slip skifteknuglegrebet.

**Tabel 3 – Inspektions- og vedligeholdelseslog**

Serienummer/-numre:		Købsdato:	
Modelnummer:		Dato for første brug:	
Inspiceret af:		Inspektionsdato:	
Komponent:	Inspektion:	Bruger	Kompetent person
SRD (Figur 13)	Efterse anordningen for løse bolte og bøjedede eller beskadigede dele.	<input type="checkbox"/>	<input type="checkbox"/>
	Kontrollér huset (A) for vrid, revner eller anden beskadigelse.	<input type="checkbox"/>	<input type="checkbox"/>
	Kontrollér forankringsøjet (B) for vrid, revner eller anden beskadigelse. Forankringsøjet skal fastgøres forsvarligt til SRD'en, men det bør kunne drejes frit.	<input type="checkbox"/>	<input type="checkbox"/>
	Livlinen (C) skal kunne trækkes ud og rulles helt op uden hindring, og uden at linen bliver slap.	<input type="checkbox"/>	<input type="checkbox"/>
	Sørg for, at anordningen låser sig fast, når der pludseligt trækkes hårdt i livlinen. Låsningen skal være fast uden slib.	<input type="checkbox"/>	<input type="checkbox"/>
	Alle mærkater skal forefindes og være helt læselige (se figur 19).	<input type="checkbox"/>	<input type="checkbox"/>
	Efterse hele enheden for tegn på korrosion.	<input type="checkbox"/>	<input type="checkbox"/>
Drejelig snapkrog og belastningsindikator (Figur 14)	Efterse den drejelige snapkrog for tegn på beskadigelse, korrosion og funktionstilstand. Drejeleddet skal dreje frit. Efterse belastningsindikatoren. Hvis det røde bånd vises (indikeret tilstand), er der indtrådt overbelastning, og SRD'en skal tages ud af brug og inspiceres. Forsøg ikke at nulstille belastningsindikatoren. Send SRD'en return til et autoriseret servicecenter for at få den nulstillet. BEMÆRK: Drejeleddet kan ikke dreje frit, når belastningsindikatoren er i indikeret tilstand.	<input type="checkbox"/>	<input type="checkbox"/>
Livline af stålkabel (Figur 15)	Efterse livlinen for snit, knæk (A), defekte kabler (B), sammenpressede ydre kabellag (såkaldt fuglebur) (C), svejsesprøjt, (D) korrosion, områder med kemikaliekontakt eller alvorligt slidte områder. Skub kabelfangeren (E) op, efterse ferruler (F) for revner eller beskadigelse, og efterse stålkablet for korrosion og brudte tråde. Udskift stålkabelsamlingen, hvis der er seks eller flere tilfældigt fordelte ødelagte kabler i ét lag, eller tre eller flere ødelagte kabler i én streng i et lag. Et "lag" stålkabel er den længde stålkabel, der skal til, for at en streng (de større grupper af kabler) kan nå én omgang eller snoning langs rebet. Udskift stålkabelsamlingen, hvis der forekommer ødelagte kabler inden for 25 mm (1") fra ferrulerne.	<input type="checkbox"/>	<input type="checkbox"/>
Reservelivline (Figur 16)	Efterse udrulning af reservelivlinen. Hvis et fald er blevet standset med det meste af livlinen udrullet, er det muligt, at reservelivlinen er blevet udløst. Træk livlinen ud af SRD'en, indtil den stopper. Hvis et rødt bånd (G) er synligt, er reservelivlinen blevet udløst, og enheden skal serviceres af et autoriseret servicecenter, inden den bruges igen.	<input type="checkbox"/>	<input type="checkbox"/>
SRD-LE-energiabsorber (Figur 17)	På selvoprullende anordninger med Leading Edge (SRD-LE'er) skal det kontrolleres, at den integrerede energiabsorber ikke er blevet aktiveret. Remtøj skal ikke trækkes ud af dækslet (A). Dækslet bør være fastgjort og uden flænger (B) eller anden beskadigelse.	<input type="checkbox"/>	<input type="checkbox"/>
Integreret hentningshåndsving til redning (Figur 18)	Kontroller krumtaparmen (A) for vrid eller anden beskadigelse. Sørg for, at hentningshåndsvinget (B) kan drejes ud og fastgøres i håndsvingspositionen.	<input type="checkbox"/>	<input type="checkbox"/>
	Sørg for, at hentningsskifteknuglegrebet (C) kan trækkes ud til den ulåste position, og derefter slippes, så krumtaparmen låses i både den aktiverede og deaktiverede position.	<input type="checkbox"/>	<input type="checkbox"/>
	Test, at hentningstilstanden fungerer korrekt, ved at hæve og sænke en testvægt på mindst 34 kg (75 lb.). Når hentningshåndtaget slippes, må vægten ikke flytte sig, og hentningshåndtaget skal blive i sin position (ingen bevægelse). Der skal høres en "klikkende" lyd, når læsset løftes.	<input type="checkbox"/>	<input type="checkbox"/>
Korrigerende foranstaltning/vedligeholdelse:	Godkendt af:	Næste inspektion foretages:	
	Dato:		
Korrigerende foranstaltning/vedligeholdelse:	Godkendt af:	Næste inspektion foretages:	
	Dato:		
Korrigerende foranstaltning/vedligeholdelse:	Godkendt af:	Næste inspektion foretages:	
	Dato:		
Korrigerende foranstaltning/vedligeholdelse:	Godkendt af:	Næste inspektion foretages:	
	Dato:		
Korrigerende foranstaltning/vedligeholdelse:	Godkendt af:	Næste inspektion foretages:	
	Dato:		
Korrigerende foranstaltning/vedligeholdelse:	Godkendt af:	Næste inspektion foretages:	
	Dato:		
Korrigerende foranstaltning/vedligeholdelse:	Godkendt af:	Næste inspektion foretages:	
	Dato:		
Korrigerende foranstaltning/vedligeholdelse:	Godkendt af:	Næste inspektion foretages:	
	Dato:		

**Die Verwendung dieses Produkts erfordert, dass die Sicherheitsinformationen in diesem Handbuch gelesen, verstanden und befolgt werden. NICHTBEACHTUNG KANN ERNSTE VERLETZUNGEN ODER DEN TOD ZUR FOLGE HABEN.**

**Diese Anweisungen müssen dem Benutzer dieser Ausrüstung zur Verfügung gestellt werden. Bewahren Sie diese Anweisungen für den späteren Gebrauch auf.**

## Verwendungszweck:

Dieses Produkt wird als Teil eines kompletten Absturzsicherungssystems verwendet.

Die Verwendung in anderen Anwendungen, u. a. bei Materialtransport, Freizeitaktivitäten, Sportaktivitäten oder anderen, nicht in der Gebrauchsanleitung beschriebenen Aktivitäten, wird nicht durch 3M genehmigt und kann zu schweren Verletzungen oder zum Tod führen.

Dieses Produkt darf nur von Personen verwendet werden, die in der Verwendung am Arbeitsplatz geschult sind.



## WARNUNG

Dieses Produkt wird als Teil eines kompletten Absturzsicherungssystems verwendet. Alle Benutzer müssen vollständig in der sicheren Installation und Bedienung ihres kompletten Absturzsicherungssystems geschult sein. **Der unsachgemäße Gebrauch dieses Produkts kann ernste Verletzungen oder den Tod zur Folge haben.** Für die richtige Auswahl, den Betrieb, die Installation, die Wartung und den Service beachten Sie bitte alle Bedienungsanleitungen und Herstellerempfehlungen. Weitere Informationen erhalten Sie von Ihrem Vorgesetzten oder von 3M Technical Services.

### Maßnahmen zur Reduzierung der Risiken im Zusammenhang mit einem Höhensicherungsgerät, die, wenn sie nicht vermieden werden, zu schweren Verletzungen oder zum Tod führen können:

- Inspizieren Sie das Produkt vor jedem Gebrauch und nach jedem Absturzereignis gemäß den in dieser Anleitung angegebenen Verfahren.
- Falls bei der Inspektion ein unsicherer oder mangelhafter Zustand festgestellt wird, nehmen Sie das außer Betrieb und markieren Sie es eindeutig als „ZUR VERWENDUNG UNGEEIGNET“. Das Produkt gemäß dieser Anleitung zerstören oder reparieren.
- Jedes Produkt, das einer Absturzsicherung oder Aufprallkräften ausgesetzt war, muss sofort aus dem Betrieb genommen werden. Das Produkt gemäß dieser Anleitung zerstören oder reparieren.
- Stellen Sie sicher, dass Absturzsicherungssysteme, die aus Komponenten verschiedener Hersteller bestehen, kompatibel sind und alle geltenden Vorschriften, Normen oder Anforderungen an die Absturzsicherung erfüllen. Ziehen Sie stets einen Sachkundigen oder eine qualifizierte Person zurate, bevor Sie diese Systeme verwenden.
- Stellen Sie sicher, dass das Sicherungsseil von allen Gefahren freigehalten wird, darunter: Verwicklung mit Benutzern, anderen Arbeitern, sich bewegenden Maschinen, anderen Gegenständen in der Umgebung oder Aufprall von Überkopf-Objekten, die auf das Sicherungsseil oder die Benutzer fallen könnten.
- Verdrehen Sie das Sicherungsseil nicht, binden Sie es nicht fest, kneten Sie es nicht und lassen Sie es nicht durchhängen.
- Vermeiden Sie Stolperfallen mit den Schenkeln des Sicherungsseils. Falls vorhanden, befestigen Sie die nicht benutzten Schenkel des Sicherungsseils an den Befestigungselementen des Verbindungsmittels.
- Überschreiten Sie nicht die in dieser Anleitung angegebene Anzahl der zulässigen Benutzer.
- Nicht bei Anwendungen einsetzen, bei denen die Fallstrecke Hindernisse aufweist. Zum Verriegeln des HSG ist ein freier Weg erforderlich. Bei Arbeiten auf beweglichem Untergrund (wie Sand oder Korn) oder in beschränkten oder engen Räumen erreicht die Person gegebenenfalls keine ausreichend hohe Fallgeschwindigkeit, um ein Verriegeln des HSG herbeizuführen.
- Vermeiden Sie plötzliche oder schnelle Bewegungen während des Arbeitsvorgangs, da dies zu einer unbeabsichtigten Verriegelung des HSG führen kann.
- Seien Sie vorsichtig, wenn Sie das Produkt installieren, verwenden oder bewegen, da durch bewegliche Teile Quetschpunkte entstehen können.
- Verwenden Sie einen geeigneten Kantenschutz, wenn das Sicherungsseil mit scharfen Kanten oder scheuernden Oberflächen in Berührung kommen kann.
- Nehmen Sie das Produkt sofort außer Betrieb, wenn es für einen Abstieg verwendet wurde.
- Vergewissern Sie sich vor der Benutzung, dass der Abstiegsweg und der Zielbereich frei von Hindernissen oder Gefahren sind.
- Stellen Sie sicher, dass das Produkt für einen sicheren Betrieb ordnungsgemäß konfiguriert und installiert ist, wie in dieser Anleitung beschrieben.

### Maßnahmen zur Reduzierung der Risiken (die, wenn sie nicht vermieden werden, zu schweren Verletzungen oder zum Tod führen können) im Zusammenhang mit Arbeiten in der Höhe:

- Ihr Gesundheitszustand und Ihre körperliche Verfassung müssen es Ihnen ermöglichen, sicher in der Höhe zu arbeiten und allen Kräften standzuhalten, die mit einem Auffangvorgang verbunden sind. Konsultieren Sie Ihren Arzt, wenn Sie Fragen bezüglich Ihrer Fähigkeit haben, diese Ausrüstung zu verwenden.
- Niemals die zulässige Belastbarkeit für Ihre Absturzsicherungsausrüstung überschreiten.
- Niemals die maximale Strecke des Absturzes Ihrer Absturzsicherungsausrüstung überschreiten.
- Verwenden Sie Absturzsicherungsausrüstung nur, wenn sie geprüft wurde, oder wenn Sie keinerlei Bedenken hinsichtlich der Verwendung oder Eignung der Ausrüstung haben. Wenden Sie sich bei allen Fragen an 3M Technical Services.
- Manche Kombinationen mit Teilsystemen und Komponenten können die Funktionsweise dieser Ausrüstung beeinträchtigen. Verwenden Sie nur kompatible Verbindungselemente. Wenden Sie sich an 3M Technical Services, bevor Sie diese Ausrüstung in Kombination mit anderen Komponenten oder Teilsystemen verwenden als denen, die in diesem Benutzerhandbuch beschrieben sind.
- Besondere Vorsicht ist bei der Arbeit in der Nähe von beweglichen Maschinen, elektrischen Gefahrenherden, extremen Temperaturen, chemischen Gefahren, explosiven oder toxischen Gasen, an scharfen Kanten, auf rauen Oberflächen oder unterhalb von über dem Kopf befindlichen Materialien geboten, da diese auf Sie oder Ihre Absturzsicherung fallen könnten.
- Stellen Sie sicher, dass die Verwendung Ihres Produkts für die in Ihrer Arbeitsumgebung vorhandenen Gefahren ausgelegt ist.
- Stellen Sie bei Arbeiten in der Höhe einen angemessenen Fallraum sicher.
- Versuchen Sie niemals, die Absturzsicherung zu modifizieren oder Änderungen daran vorzunehmen. Nur 3M oder Personen, die hierzu schriftlich von 3M autorisiert sind, dürfen Reparaturen an 3M-Ausrüstung vornehmen.
- Stellen Sie vor der Verwendung von Absturzsicherungsgeräten sicher, dass ein schriftlicher Rettungsplan vorhanden ist, um im Falle eines Absturzes eine schnelle Rettung zu ermöglichen.
- Wenn es zu einem Absturz kommt, muss der abgestürzte Arbeiter sofort von einem Arzt untersucht werden.
- Verwenden Sie nur Auffanggurte für Absturzsicherungsanwendungen. Verwenden Sie keine Körpergurte.
- Minimieren Sie Pendelstürze, indem Sie so nahe wie möglich am Verankerungspunkt arbeiten.
- Beim Training mit diesem Produkt muss ein sekundäres Absturzsicherungssystem verwendet werden. Die Trainingsteilnehmer dürfen keiner unbeabsichtigten Absturzgefahr ausgesetzt werden.
- Tragen Sie immer eine geeignete persönliche Schutzausrüstung, wenn Sie das Produkt installieren, verwenden oder inspizieren.
- Keine Arbeiten unterhalb einer schwebenden Last oder eines im Gurt hängenden Arbeiters verrichten.
- Sorgen Sie immer für 100 % Spannung.

Übertragen Sie die Angaben zur Produktidentifikation vor Verwendung dieser Ausrüstung vom ID-Etikett in das „Inspektions- und Wartungsprotokoll“ hinten in diesem Handbuch.

Stellen Sie immer sicher, dass Sie die neueste Version Ihres 3M-Handbuchs verwenden. Aktualisierte Handbücher erhalten Sie auf der 3M-Website oder über den technischen Kundendienst von 3M.


## BESCHREIBUNG:

Abbildung 2 gibt Schlüsselkomponenten der Protecta Rebel-Selbsteinzugsvorrichtungen (HSGs) wieder. Rebel-HSGs sind trommelgewickelte Drahtseil-Sicherungsseile (A), die sich in ein thermoplastisches oder Aluminiumgehäuse (B) zurückziehen. Sie können mittels Karabiner, der durch die Drehöse (C) am oberen Ende des HSG befestigt ist, an einer Verankerung angehängt werden. Ein selbstverriegelnder Karabinerhaken (D) am Ende des Sicherungsseils wird an der vorgesehenen Absturzsicherung an einem Ganzkörpergurtzeug befestigt. Ein Stoßfänger (E) schützt das Drahtseil und die Klemmringe, die den Karabinerhaken vor Abrieb und Korrosion schützen.


Abbildung 1 gibt die Rebel-HSG-Modelle wieder, für die diese Bedienungsanleitung gilt. Folgende HSG-Typen sind verfügbar:

- **Höhensicherungsgerät (Abbildung 2A):** Höhengsicherungsgeräte (HSGs) eignen sich für Anwendungen, bei denen das Sicherungsseil während des Einsatzes im Allgemeinen vertikal bleibt und der mögliche freie Fall auf 0,6 m (2 ft.) begrenzt ist.
- **Höhensicherungsgerät mit Kantenführung (Abbildung 2B):** Höhengsicherungsgeräte mit Kantenführung (HSG-LEs) eignen sich für Anwendungen, bei denen das Sicherungsseil während des Einsatzes im Allgemeinen horizontal bleibt und der mögliche freie Fall auf 1,5 m (5 ft.) begrenzt ist. HSG-LEs haben einen integrierten Energieabsorber (F) oder eine ähnliche Komponente, um der Stoßbelastung des Sicherungsseils über eine scharfe oder abrasive Kante während des Auffangens zu widerstehen und die Auffangkräfte auf den Benutzer zu minimieren.
- **Höhensicherungsgerät mit Rettung (Abbildung 2C):** Höhengsicherungsgeräte mit Rettung (HSG-Rs) umfassen ein integriertes Mittel zur unterstützten Rettung durch Anheben oder Absenken des zu rettenden Subjekts. HSG-Rs sind mit einer 3-Wege-Handkurbel zur Notfallrückholung ausgestattet (G). Einige Modelle können eine Stativhalterung (H) zur Befestigung des HSG-R am Stativbein für Anwendungen in engen Räumen enthalten.

**Tabelle 1 – Spezifikationen**

 Gehäusehälften	Material
9508320 + 9520047	Aluminium – 15 m (50 ft.) HSG-Rs
9511070 + 9511071	Thermoplastischer Kunststoff – 6 m (20 ft.) HSGs, 10 m (33 ft.) HSGs, und 6 m (20 ft.) HSG-LEs der Spitzenklasse
9520021 + 9520022	Aluminium – 6 m (20 ft.) und 10 m (33 ft.) HSGs
9520044 + 9520045	Thermoplastischer Kunststoff – 15 m (50 ft.) HSGs und 10 m (33 ft.) HSG-LEs der Spitzenklasse
9520046 + 9520047	Aluminium – 15 m (50 ft.) HSGs
9520056 + 9520057	Thermoplast – 20 m (66 ft.), 25 m (82 ft.), 30 m (100 ft.) HSGs
9520058 + 9520059	Aluminium – 20 m (66 ft.), 25 m (82 ft.) und 30 m (100 ft.) HSGs

 Sicherungsseil	Beschreibung	Haken
9501087 + 2000175	5,56 mm (7/32 Zoll) verzinktes Stahldrahtseil, selbstsichernder schwenkbarer Karabinerhaken aus legiertem Stahl mit Indikator.	2000175
9501479 + 2000175	4,76 mm (3/16 Zoll) verzinktes Stahldrahtseil, selbstsichernder schwenkbarer Karabinerhaken aus legiertem Stahl mit Indikator.	2000175
9501613 + 2000170	4,76 mm (3/16 Zoll) rostfreies Stahldrahtseil, selbstverriegelnder schwenkbarer Karabinerhaken aus rostfreiem Stahl mit Indikator.	2000170
9501613 + 2000175	4,76 mm (3/16 Zoll) rostfreies Stahldrahtseil, selbstsperrender schwenkbarer Karabinerhaken aus legiertem Stahl mit Indikator.	2000175
9501613 + 2100044	4,76 mm (3/16 Zoll) Edelstahldrahtseil, selbstsichernder, drehbarer Karabinerhaken aus Edelstahl mit Indikator.	2100044

Haken	Beschreibung	Material	Verschlusskraft	Maulöffnung
2000170	Schwenkbarer, selbstverriegelnder Karabiner mit Schlagindikator	Edelstahl	16 kN (3.600 lbs)	1,9 cm (0,75 Zoll)
2000175	Schwenkbarer selbstverriegelnder Karabinerhaken mit Schlaganzeige	Verzinkter Stahl	16 kN (3.600 lbs)	1,9 cm (0,75 Zoll)
2100044	Schwenkbarer selbstverriegelnder Karabinerhaken mit Schlaganzeige	Edelstahl	16 kN (3.600 lbs)	1,9 cm (0,75 Zoll)

**Tabelle 1 – Spezifikationen**

<b>Zugfestigkeit des Draht-Sicherungsseils:</b>	9501479 – 4,76 mm (3/16 Zoll) Durchmesser Verzinkter Stahl Min. Zugfestigkeit 18,7 kN (4.200 lbf) 9501613 – 4,76 mm (3/16 Zoll) Durchmesser Rostfreier Stahl Min. Zugfestigkeit 16,0 kN (3.600 lbf) 9501087 – 5,55 mm (7/32 Zoll) Durchmesser Verzinkter Stahl Min. Zugfestigkeit 24,9 kN (5.600 lbf)
<b>HSG-R Maximale Hublast:</b>	135 kg (298 lb.)
<b>Verankerungsstärke</b>	12 kN (2,697 lbf)

<b>HSG-Spezifikationen</b>	<b>CE-Modelle (EN 360)</b>
<b>Lastbereich:</b>	59 kg - 140 kg (130 lb. - 310 lb.)
<b>Maximale Krafteinwirkung:</b>	6 kN (1.350 lbs)
<b>Durchschnittliche Arretierungskraft:</b>	4,0 kN (900 lbs)
<b>Maximale Arretierungsdistanz:</b> <i>*Angenommen, das HSG ist direkt über dem Benutzer angebracht.</i>	1,1 m (42 >Zoll)
<b>Minimaler erforderlicher Fallraum:</b> <i>*Angenommen, das HSG ist direkt über dem Benutzer angebracht.</i>	1,8 m (6 ft)
<b>Maximaler freier Fall:</b> <i>*Das HSG muss über dem D-Ring des Benutzers montiert werden.</i>	0,6 m (2 ft)

<b>HSG-LE-Spezifikationen</b>	<b>CE-Modelle (EN 360 + CNB/P/11.060)</b>
<b>Lastbereich:</b>	59 kg - 140 kg (130 lb. - 310 lb.)
<b>Maximale Krafteinwirkung:</b>	6 kN (1.350 lbs)
<b>Durchschnittliche Arretierungskraft:</b>	4 kN (900 lbs)
<b>Maximale Arretierungsdistanz:</b> <i>*Angenommen, das HSG ist direkt über dem Benutzer angebracht.</i>	1,1 m (42 >Zoll)
<b>Minimaler erforderlicher Fallraum:</b>	Vertikal: 1,8 m (6 ft) Horizontal: 5,03 m (16,5 ft)
<b>Maximaler freier Fall:</b> <i>*Das HSG muss über dem D-Ring des Benutzers montiert werden.</i>	0,6 m (2 ft)
<b>Maximaler freier Fall – LE:</b> <i>*Gemessen vom D-Ring des Benutzers bis zur Arbeitsfläche.</i>	1,5 m (5 ft)

## 1.0 ANWENDUNGEN

- 1.1 VERWENDUNGSZWECK:** Selbsteinzugsvorrichtungen (HSGs) von 3M sind als Bestandteil einer persönlichen Schutzausrüstung gegen Absturz (PSAgA) gedacht. Abbildung 1 veranschaulicht HSGs, die in dieser Anleitung behandelt werden, und ihre typischen Anwendungen. Sie können in den meisten Situationen eingesetzt werden, in denen die uneingeschränkte Beweglichkeit der Arbeiter und eine Absturzsicherung notwendig sind (z. B. Inspektionsarbeiten, allgemeine Bauindustrie, Wartungsarbeiten, Ölproduktion, Arbeiten in beengten Räumen usw.).
- 1.2 NORMEN:** Ihr HSG entspricht der/den nationalen oder regionalen Norm(en), die auf der Vorderseite dieses Handbuchs angegeben ist/sind. Wenn dieses Produkt außerhalb des ursprünglichen Bestimmungslandes wiederverkauft wird, muss der Wiederverkäufer diese Anweisungen in der Sprache des Landes zur Verfügung stellen, in dem das Produkt verwendet werden wird.
- 1.3 SCHULUNG:** Die Ausrüstung muss von Personen, die in der richtigen Anwendung geschult sind, installiert und verwendet werden. Es obliegt der Verantwortung des Benutzers, mit diesen Anweisungen vertraut zu sein und in der richtigen Pflege und Handhabung dieser Ausrüstung geschult zu werden. Der Benutzer muss sich auch der Betriebseigenschaften, der Grenzen der Anwendbarkeit und der Konsequenzen eines unsachgemäßen Gebrauchs bewusst sein.
- 1.4 EINSCHRÄNKUNGEN:** Berücksichtigen Sie beim Installieren oder Verwenden dieser Ausrüstung stets folgende Einschränkungen und Anforderungen:
- **Tragfähigkeit:** Dieses HSG ist konformitätsgeprüft auf die Nutzung durch eine Person mit einem Gesamtgewicht (Bekleidung, Werkzeuge usw.) von 59 kg (130 lbs) bis 140 kg (310 lbs).<sup>1</sup> Stellen Sie sicher, dass alle Komponenten Ihres Systems für die Nennkapazität der entsprechenden Anwendung ausgelegt sind.
  - **Verankerung:** Die Anforderungen an die Verankerung variieren mit der Absturzsicherung. Strukturen, an denen das Anschlaghilfsmittel angebracht oder an denen dieses befestigt ist, müssen die in Tabelle 1 definierten Verankerungsspezifikationen erfüllen.
  - **Arretierungsgeschwindigkeit:** Eine ungehinderte Fallstrecke sollte stets gewährleistet sein. Bei der Arbeit auf beschränktem oder beengtem Raum erreicht der Körper möglicherweise keine ausreichende Geschwindigkeit, um im Falle eines Absturzes eine Arretierung des HSG auszulösen. Bei Arbeiten auf langsam verrutschendem Material, wie Sand oder Korn, wird unter Umständen keine ausreichend hohe Fallgeschwindigkeit erreicht, um eine Arretierung des HSG auszulösen. Eine freie Fallstrecke ist erforderlich, damit ein sicheres Arretieren des HSG gewährleistet ist.
  - **Freier Fall:** Die ordnungsgemäße Verwendung eines SRDs in Überkopfanwendungen minimiert die Strecke eines freien Falls. Befolgen Sie die nachstehenden Anweisungen, um eine größere Strecke bei einem freien Fall zu vermeiden:
    - Das Sicherungsseil darf niemals geklemmt oder verknötet werden oder auf eine andere Weise am Wiedereinziehen oder am Spannen gehindert werden.
    - Vermeiden Sie einen Durchhang des Sicherungsseils des SRDs.
    - Ein Arbeiten oberhalb der Verankerung muss vermieden werden.
    - Ein HSG darf nicht ohne Rücksprache mit 3M durch Anbinden eines Verbindungsmittels oder einer ähnlichen Komponente verlängert werden.

Produktspezifische Informationen zu den Werten bezüglich des freien Falls und Werte für einen Fallraum finden Sie in Tabelle 1 dieser Anleitung.

- **Pendelsturz:** Pendelstürze treten auf, wenn der Verankerungspunkt nicht direkt oberhalb des Absturzpunkts liegt. Die Kraft des Aufpralls auf ein Objekt kann bei einem Pendelsturz schwere Verletzungen hervorrufen (siehe Abbildung 3A). Minimieren Sie Pendelstürze, indem Sie so nahe wie möglich am Verankerungspunkt arbeiten (Abbildung 3B). Vom Verankerungspunkt entfernte Arbeiten (Abbildung 3C) erhöhen den Aufprall bei einem Pendelsturz und erhöhen den erforderlichen Fallraum (FR).
- **Fallraum:** Abbildung 3B zeigt die Berechnung des Fallraums. Der Fallraum (FR) ist die Summe aus Freifall (FF), Abbremsungsdistanz (DD) und einem Sicherheitsfaktor (SF):  $FR = FF + DD + SF$ . Das Rutschen der Auffangöse und die Ausdehnung des Auffanggurtes sind im Sicherheitsfaktor enthalten. Fallraumwerte wurden berechnet und sind in Abbildung 4 tabellarisch aufgeführt. Ein Sicherheitsfaktor von 1 m (3,28 ft) wurde für alle Werte in Abbildung 4 benutzt.  
Abbildungen 3B und 3C veranschaulichen den Fallraum. HSG-Absturzschutzsysteme sollten für Stürze aus einer stehenden Position, in der das HSG direkt über Kopf verankert ist (Abbildung 3B), einen Mindestfallraum haben, der in Tabelle 1 spezifiziert ist. Stürze aus einer knienden oder kauenden Position erfordern einen zusätzlichen Fallraum von 1 m (3 ft). In einer Pendelsturzsituation (Abbildung 3C) wird die gesamte vertikale Fallstrecke größer sein, als wenn der Anwender direkt unterhalb des Anschlagpunkts abgestürzt wäre, weswegen womöglich ein größerer Fallraum nötig ist. Abbildung 4 und die zugehörige Tabelle geben den maximalen Arbeitsradius (C) für verschiedene HSG-Verankerungshöhen (A) und Fallräume an. Die empfohlene Arbeitszone begrenzt sich auf den Bereich innerhalb des maximalen Arbeitsradius.
- **Gefahren:** Die Verwendung dieser Ausrüstung in Bereichen mit Umweltgefahren kann zusätzliche Sicherheitsmaßnahmen erfordern, um die Verletzungsgefahr und Schäden an der Ausrüstung zu vermeiden. Zu den Gefahren zählen unter anderem, aber ohne Einschränkung: große Hitze, ätzende Chemikalien, korrosive Umgebungen, Hochspannungsleitungen, explosive oder giftige Gase, bewegliche Maschinen oder Material über Kopf, das herunterfallen und den Anwender oder das Absturzschutzsystem treffen kann. Das Arbeiten in Bereichen, in denen sich Ihr Sicherungsseil mit dem eines anderen Arbeiters kreuzen oder verheddern könnte, muss vermieden werden. Vermeiden Sie das Arbeiten in Bereichen, in denen Objekte fallen und die Sicherungsleine treffen können, da dadurch das Gleichgewicht gestört oder das Sicherungsseil beschädigt werden kann. Das Sicherungsseil darf nicht unter die Arme oder zwischen die Beine rutschen.
- **Scharfe Kanten:** Vermeiden Sie das Arbeiten an Orten, an denen das Sicherungsseil mit ungeschützten scharfen Kanten in Berührung kommen oder sich an solchen abreiben könnte. Wenn Sie an scharfen Kanten arbeiten müssen, muss eine Schutzabdeckung verwendet werden.

## 2.0 EINSATZ

- 2.1 RETTUNGSPLAN:** Wenn Sie diese Ausrüstung verwenden, muss der Arbeitgeber einen Rettungsplan besitzen und die Mittel zu dessen Durchführung müssen zur Verfügung stehen. Außerdem muss der Plan den Benutzern, den berechtigten Personen und den Rettungskräften bekannt sein.

<sup>1</sup> **Tragfähigkeit:** Sind HSGs mit Dreiwegrettung für eine maximale Nennhublast von 135 kg ausgelegt.



- 2.2 INSPEKTIONSHÄUFIGKEIT:** HSGs müssen von einer autorisierten Fachkraft<sup>1</sup> oder Rettungskraft<sup>2</sup> vor jedem Einsatz inspiziert werden (siehe Tabelle 2). Das HSG muss darüber hinaus mindestens jährlich von einem Sachkundigen<sup>3</sup> – nicht dem Anwender – inspiziert werden. Extreme Arbeitsbedingungen (raue Umweltbedingungen, längere Verwendung usw.) können häufigere Inspektionen durch einen Sachkundigen erforderlich machen. Die Inspektionsaktivitäten werden im „Inspektions- und Wartungsprotokoll“ (Tabelle 3) beschrieben. Die Ergebnisse jeder Überprüfung durch einen Sachkundigen sollten im „Inspektions- und Wartungsprotokoll“ oder im RFID-System festgehalten werden.
- 2.3 NORMALER BETRIEB:** Im normalen Betrieb kann das Sicherungsseil verzögerungsfrei und ohne Durchhang ausgezogen und wieder eingerollt werden, solange der Arbeiter sich mit normaler Geschwindigkeit bewegt. Im Falle eines Absturzes wird ein geschwindigkeitsmessendes Bremsystem aktiviert, das den Absturz stoppt und einen großen Teil der entstehenden Fallenergie dämpft. Während normaler Arbeitsvorgänge müssen plötzliche oder schnelle Bewegungen vermieden werden, da dadurch eine Arretierung des HSG ausgelöst werden kann. Für Abstürze bei größtenteils ausgerolltem Sicherungsseil ist ein Reservesicherungsseilsystem oder ein Falldämpfer eingebaut, um die Sturzenergie abzdämpfen. Falls das HSG Sturzenergien ausgesetzt wurde, ziehen Sie es aus dem Verkehr, kennzeichnen oder etikettieren Sie es als „UNBRAUCHBAR“, überprüfen und warten Sie es gemäß den Anweisungen in den Abschnitten 5 und 6.
- 2.4 KÖRPERUNTERSTÜTZUNG:** Für das Selbstzuggerät muss ein Auffanggurt verwendet werden. Der Verbindungspunkt des Gurtes muss sich oberhalb des Körperschwerpunktes des Benutzers befinden. Ein Haltegurt ist für die Verwendung mit dem Selbstzuggerät nicht zulässig. Falls es bei der Verwendung eines Haltegurtes zu einem Absturz kommt, kann eine unsachgemäße Körperunterstützung zu einem unbeabsichtigten Öffnen des Gurtes oder einem physischen Trauma führen.
- 2.5 KOMPATIBILITÄT DER KOMPONENTEN:** Sofern nicht anders angegeben, ist die Ausrüstung von 3M nur zur Verwendung mit den von 3M freigegebenen Komponenten und Subsystemen ausgelegt. Ein Austausch durch nicht genehmigte Komponenten oder Teilsysteme kann die Kompatibilität der Ausrüstung aufs Spiel setzen und die Sicherheit und Zuverlässigkeit des kompletten Systems gefährden. Befolgen Sie die Herstelleranweisungen für Komponenten und Subsysteme, die in Ihrem persönlichen Absturzsicherungs-system zum Einsatz kommen.
- 2.6 KOMPATIBILITÄT DER VERBINDUNGSMITTEL:** Verbindungsmittel sind mit Verbindungselementen kompatibel, wenn sie in Größe und Form so konzipiert sind, dass sie zusammenarbeiten, ohne dass sich ihre Verschlussmechanismen versehentlich öffnen, unabhängig davon, wie sie ausgerichtet sind. Kontaktieren Sie 3M, wenn Sie Fragen zur Kompatibilität haben.
- Die Verbindungselemente, mit denen das HSG befestigt wird, müssen der EN362 entsprechen. Die Verbindungselemente müssen mit der Verankerung oder anderen Systemkomponenten kompatibel sein. Verwenden Sie keine Ausrüstung, die nicht kompatibel ist. Nicht kompatible Anschlüsse können sich versehentlich lösen (siehe Abbildung 5). Die Verbindungselemente müssen in Größe, Form und Belastbarkeit kompatibel sein. Es sind selbstschließende Karabinerhaken erforderlich. Wenn das Verbindungselement, an das der Karabiner angeschlossen wird, zu klein ist oder eine unregelmäßige Form aufweist, kann es dazu kommen, dass das Verbindungselement Druck auf den Verschluss des Karabiners (A) ausübt. Dieser Druck kann dazu führen, dass sich der Verschluss öffnet (B), sodass sich der Karabiner vom Verbinderpunkt (C) löst.
- 2.7 VERBINDUNGSHERSTELLUNG:** Verwenden Sie mit dieser Ausrüstung nur Schnapphaken und Karabiner. Stellen Sie sicher, dass alle Verbindungen bezüglich Größe, Form und Stärke kompatibel sind. Verwenden Sie keine Ausrüstung, die nicht kompatibel ist. Vergewissern Sie sich, dass alle Verbindungselemente vollständig geschlossen und verriegelt sind. Verbindungselemente von 3M (Schnapphaken und Karabiner) dürfen nur wie in der Bedienungsanleitung des jeweiligen Produktes angegeben verwendet werden. Abbildung 6 zeigt Beispiele für falsche Verbindungen. Schnapphaken und Karabiner dürfen nicht wie folgt befestigt werden:
- A. An einem D-Ring, an dem ein anderes Verbindungsmittel befestigt ist.
  - B. Auf eine Weise, die den Verschluss belastet. Schnapphaken mit großer Maulöffnung sollten nicht an Auffangösen oder ähnliche Objekte in Standardgröße angeschlossen werden, da der Verschluss sonst belastet wird, wenn der Haken oder die Auffangöse sich drehen, es sei denn, der Karabinerhaken verfügt über einen Verschluss, der einer Belastung von 3.600 lbs (16 kN) standhält. Überprüfen Sie die Markierung auf Ihrem Schnapphaken, um sicherzustellen, dass er die Voraussetzungen für die Anwendung erfüllt.
  - C. An einem falschen Rasthaken, wenn Teile des Karabinerhakens vorstehen, die sich in der Verankerung verfangen können, und ohne dass visuell geprüft werden kann, ob der Verbindungselement voll in der Verankerung eingerastet ist.
  - D. Aneinander.
  - E. Direkt an einem Gurtband, Verbindungsseil oder Zugband (außer es ist laut Anweisungen des Herstellers ausdrücklich erlaubt, die Verbindungsmittel auf diese Weise anzuschließen).
  - F. An ein Objekt, das eine Größe oder Form aufweist, die das Öffnen oder Schließen des Schnapphakens oder Karabiners verhindern würde, oder die dazu führt, dass sich der Haken löst.
  - G. Auf eine Weise, in der sich das Verbindungsmittel unter Last nicht richtig ausrichten kann.

**Tabelle 2 – Inspektionsplan**

Art des Einsatzes	Anwendungsbeispiele	Einsatzbedingungen	Inspektionshäufigkeit
			Sachkundiger
Unregelmäßig bis leicht	Rettung und beengte Räume, Fabrikwartung	Gute Lagerungsbedingungen, Einsatz in Innenräumen oder unregelmäßig im Freien, Raumtemperatur, saubere Umgebungen	Jährlich
Moderat bis schwer	Transportwesen, Bau von Wohnhäusern, Versorgungsindustrie, Warenhaus	Ausreichend gute Lagerungsbedingungen, Einsatz in Innenräumen und ausgiebig im Freien, alle Temperaturen, saubere oder staubige Umgebungen	Halbjährlich bis jährlich
Stark bis kontinuierlich	Kommerzielle Bauindustrie, Öl und Gas, Bergbau	Raue Lagerbedingungen, verlängerter oder kontinuierlicher Einsatz im Freien, alle Temperaturen, schmutzige Umgebung	Viertel- bis halbjährlich

**1 Autorisierte Fachkraft:** Eine Person, die vom Arbeitgeber dazu bestimmt ist, Aufgaben an einem Ort auszuführen, an dem sie einer Absturzgefahr ausgesetzt ist.

**2 Rettungskraft:** Person oder Personen außer der verunfallten Person, die mithilfe technischer Rettungs- und Bergungsmittel eine Rettungs- bzw. Bergungsaktion vornehmen.

**3 Sachkundiger:** Eine vom Arbeitgeber bestimmte Person, die für die unmittelbare Beaufsichtigung, Implementierung und Überwachung des verwalteten Absturzsicherungsprogramms des Arbeitgebers verantwortlich ist. Diese Person kann durch Schulung und Wissen bestehende und potentielle Sturzgefahren identifizieren, bewerten und beheben und hat die Genehmigung des Arbeitgebers, sofortige Korrekturmaßnahmen hinsichtlich solcher Gefahren zu ergreifen.

**2.8 SELBSTEINZUGSGERÄTE MIT ABSTURZKANTENEIGNUNG (HSG-LE):** Die in diesem Handbuch behandelten HSGs können auch Selbsteinzugsgeräte mit Absturzkanteneignung (HSG-LEs) umfassen. Siehe Abbildung 1 für bestimmte HSG-LE-Modelle. Das HSG-LEs wurden für eine horizontale Verwendung und Stürze über eine Stahlkante ohne Grat getestet. HSG-LEs können in Situationen verwendet werden, in denen es zu einem Sturz über eine Stahlkante kommen kann, wie man sie an Stahlprofilen oder Blechen findet.

**Vorsichtsmaßnahmen für Absturzkanten:** Halten Sie folgende Vorsichtsmaßnahmen ein, wenn Sie ein HSG-LE verwenden:

- Der zulässige Umleitungswinkel des Sicherungsseils des HSG-LE an der Kante, über die ein Fall stattfinden könnte (gemessen zwischen den beiden Seiten, die von dem umgeleiteten Sicherungsseil gebildet werden), muss mindestens 90 Grad betragen (siehe Abbildung 7).
- Der Anschlagpunkt muss auf derselben Höhe liegen wie die Kante, an der Absturzgefahr besteht, oder oberhalb dieser Kante. Anschlagpunkte unterhalb der Kante sind gefährlich, weil sie dazu führen können, dass das Sicherungsseil bei einem spitzeren Winkel als 90 Grad umgeleitet werden kann (siehe Abbildung 7).
- Siehe Abschnitt 1 für die Beschränkungen für den zulässigen Arbeitsbereich mit Bezug auf den Anschlagpunkt, einschließlich Faktoren wie Pendelstürze und Abreibungen am Seil an der Kante sowie der Verwendung eines einzelnen Anschlagpunktes gegenüber Verankerungen, die eine horizontale Bewegung zulassen (z. B. eine horizontale Absturzsicherung oder eine horizontale Laufschiene).
- HSG-LEs dürfen mit einer horizontalen Absturzsicherung oder horizontalen Laufschiene nur so verwendet werden, wie es in den Produktanweisungen für die horizontale Absturzsicherung oder horizontale Laufschiene vorgeschrieben ist.
- Arbeiten Sie nicht auf der entfernten Seite einer Öffnung gegenüber des Verankerungspunktes des HSG-LE.
- Im Falle eines Absturzes über die Kante können spezielle Bergungsmaßnahmen erforderlich sein.
- Wenn Sie Ihre Absturzkanten-Anwendung planen, stellen Sie sicher, dass die Arbeitsplatzparameter innerhalb der Mindestrückpralldistanz, der maximalen Freifalldistanz und des Mindestfallraums liegen, wie sie auf der Etikettierung des HSG-LE angegeben sind.

**Berechnung des Fallraums an der Absturzkante:** Der bei einem Sturz über eine Kante erforderliche Mindestfallraum kann auf Grundlage der Rückpralldistanz und der Distanz entlang der Kante Ihrer Absturzkanten-Anwendung berechnet werden (siehe Abbildung 8). Um den Fallraum nach der Tabelle in Abbildung 8 zu berechnen:

1. Wählen Sie aus den Rubriken links in den Reihen den Wert, der Ihrer Rückpralldistanz (A) am nächsten kommt.
2. Wählen Sie aus den Rubriken oben in den Spalten Ihre Arbeitsdistanz von der Kante (B). Schattierte Flächen ohne Werte zeigen an, dass die Distanz entlang der Kante außerhalb des sicheren Arbeitsradius für die von Ihnen gewählte Rückpralldistanz liegt.
3. Der bei einem Absturz über die Kante erforderliche Raum (C) ist der Wert, der am Schnittpunkt zwischen der in Schritt 1 gewählten Reihe und der in Schritt 2 gewählten Spalte aufgeführt ist.
4. Wiederholen Sie die vorherigen Schritte für jede Kante, über die der Arbeiter möglicherweise stürzen könnte, um eine sichere Positionierung der Verankerung und den zulässigen Arbeitsradius zu bestimmen.

**CE-Definitionen von scharfen Kanten:** Diese CE-Selbsteinzugsgeräte wurden erfolgreich für die horizontale Verwendung und Stürze über eine Stahlkante ohne Grat getestet. Die in Abbildung 8 gezeigten Einschränkungen bezüglich des Rücksprungabstandes müssen eingehalten werden. Vermeiden Sie das Arbeiten an Orten, an denen das Sicherungsseil sich kontinuierlich oder wiederholt an ungeschützten scharfen Kanten abreiben könnte. Eliminieren Sie solche Kontakte oder schützen Sie Kanten mit einer dicken Polsterung oder sonstigen Mitteln. Kantenarten werden wie folgt definiert:

**VG 11.60 Revision 6 Definition von Kanten des Typs A:** Für diesen Test wurde eine gratfreie Stahlkante mit einem Radius von  $r=0,5$  mm verwendet. Aufgrund dieses Tests kann die Ausrüstung über ähnlichen Kanten verwendet werden, beispielsweise über runden Stahlprofilen, Holzträgern, Rohren oder abgerundeten Brüstungselementen.

### 3.0 INSTALLATION

- 3.1 PLANUNG:** Planen Sie den Einsatz des Absturzsicherungssystems, bevor Sie mit der Arbeit beginnen. Berücksichtigen Sie alle Faktoren, die Ihre Sicherheit vor, während und nach einem Absturz beeinträchtigen könnten. Beachten Sie alle in diesem Handbuch beschriebenen Anforderungen und Einschränkungen.
- 3.2 VERANKERUNG:** In Abbildung 9 werden typische HSG-Verankerungen dargestellt. Die Verankerung (A) muss sich direkt über dem Kopf befinden, um Freifall- und Pendelsturzgefahren minimal zu halten (siehe Abschnitt 2). Wählen Sie einen starren Verankerungspunkt, der den in Abschnitt 2.2 beschriebenen statischen Lasten standhält. Die schwenkbare Öse am Höhensicherungsgerät ist mit einem Karabiner (B) ausgestattet. Befestigen Sie den Karabiner direkt am Verankerungsbauwerk (Baustahl, Winkeleisen usw.), am Anbindungsadapter (C) oder am Anschlaghilfsmittelpunkt (D).
- 3.3 VERBINDEN DES AUFFANGGURTS:** Für Absturzsicherungsanwendungen ist ein Auffanggurt erforderlich. Befestigen Sie den Karabinerhaken (A) des HSG-Sicherungsseils an der hinteren Auffangöse (B) des Auffanggurts. (Siehe Abbildung 10). Sollten Sie die Sicherung zum Emporsteigen einer Leiter verwenden, empfiehlt sich möglicherweise die Befestigung an der vorderen Auffangöse. Für Einzelheiten bezüglich der Verwendung der Verbindungspunkte des Auffanggurts wenden Sie sich bitte an den Hersteller.
- 3.4 DREIBEINBEFESTIGUNG:** Abbildung 11 zeigt die Installation des Rebel-Höhensicherungsgeräts mit Rettungskurbel an einem Protecta-Dreibein. Das HSG-R wird an einem Bein des Dreibeins montiert und das Sicherungsseil wird durch ein Flaschenzugsystem am Dreibeinkopf geführt. Für Einzelheiten siehe die Anleitung, die dem Dreibein und der Aufhängung beiliegen.

### 4.0 VERWENDUNG

Wer Rebel-Selbsteinzugsvorrichtungen (HSGs) zum ersten Mal oder selten benutzt, sollte vor Verwendung der HSG die „Sicherheitsinformationen“ am Anfang dieses Handbuches lesen.

- 4.1 VOR JEDEM EINSATZ:** Stellen Sie sicher, dass Ihr Arbeitsbereich und Ihr Absturzsicherungssystem alle in diesen Anweisungen definierten Kriterien erfüllen. Stellen Sie sicher, dass ein formeller Rettungsplan vorhanden ist. Prüfen Sie das anhand der „Benutzer“-Inspektionpunkte, die im „Inspektions- und Wartungsprotokoll“ angegeben sind. Wenn bei der Inspektion ein unsicherer oder fehlerhafter Zustand festgestellt wird oder Zweifel an seinem Zustand für die sichere Verwendung bestehen, nehmen Sie das Produkt sofort außer Betrieb. Markieren Sie es deutlich mit „NICHT VERWENDEN“. Weitere Informationen finden Sie in Abschnitt 5.
- 4.2 NACH EINEM ABSTURZ:** Alle Ausrüstungsgegenstände, die den Kräften eines aufgefangenen Falls ausgesetzt waren oder Schäden aufweisen, die den Auswirkungen der in Abschnitt 5 beschriebenen Sturzenergie entsprechen, müssen unverzüglich außer Betrieb genommen, als „UNBRAUCHBAR“ markiert und gemäß den Anweisungen in Abschnitt 5 und 6 überprüft und gewartet werden.
- 4.3 AUFFANGVORRICHTUNG:** Beim Einsatz von 3M-HSGs muss ein Auffanggurt getragen werden. Zum Zweck der allgemeinen Absturzsicherung sichern Sie diesen an der hinteren Auffangöse. Sollten Sie die Sicherung zum Emporsteigen einer Leiter verwenden, empfiehlt sich möglicherweise die Befestigung an der vorderen Auffangöse. Für Einzelheiten bezüglich der Verwendung der Verbindungspunkte des Auffanggurts wenden Sie sich bitte an den Hersteller.
- 4.4 ANSCHLAGEN:** Sollten Sie für die Verbindung einen Haken verwenden, vergewissern Sie sich, dass ein Herausrutschen nicht möglich ist (siehe Abbildung 5). Verwenden Sie keine Haken oder Verbindungselemente, die sich nicht vollständig über dem angehängten Objekt schließen. Verwenden Sie keine nicht verriegelnden Schnapphaken. Die Montagefläche muss die in Abschnitt 2.2 aufgeführten Anforderungen bezüglich der Verankerungsstärke erfüllen. Befolgen Sie die Herstelleranweisungen, die den einzelnen Systemkomponenten beiliegen.
- 4.5 BEDIENUNG:** Überprüfen Sie das Höhensicherungsgerät wie in Abschnitt 5.0 beschrieben. Verbinden Sie das Höhensicherungsgerät mit einer geeigneten Verankerung oder einem geeigneten Verankerungsanschluss, wie zuvor beschrieben. Befestigen Sie den am Ende des Sicherungsseils befindlichen selbstschließenden Karabinerhaken an der hinteren Auffangöse des Ganzkörper-Auffanggurts (siehe Abbildung 10). Sie, ob alle Verbindungselemente in Größe, Form und Stärke miteinander kompatibel sind. Vergewissern Sie sich, dass der Haken vollständig geschlossen und verriegelt ist. Sobald der Arbeiter eingeseilt ist, kann er sich innerhalb des empfohlenen Arbeitsbereichs mit der normalen Geschwindigkeit bewegen. Wenn der RSQ Auswahlknopf auf „Absturzicherung“ gestellt ist, stoppt das HSG den Fall. Wenn der RSQ Auswahlknopf auf „Abstieg“ gestellt ist, senkt das HSG den Benutzer bei einem Fall automatisch auf eine niedrigere Ebene ab. Wenn Sie mit einem Höhensicherungsgerät arbeiten, lassen Sie das Sicherungsseil stets kontrolliert in das Gerät zurückrollen. Es kann ein Zugseil erforderlich sein, um das Sicherungsseil während des Anschließens und Lösen aus- und einzuziehen. Darüber hinaus kann das Zugseil verwendet werden, um einen unkontrollierten Rückzug des Sicherungsseils in das Höhensicherungsgerät zu verhindern. Je nach Arbeitsumgebung und Arbeitsbedingungen kann es erforderlich sein, das freie Ende des Zugseils zurückzuhalten, damit es keine Geräte und Maschinen behindert oder sich in diesen verfängt.
- 4.6 BERGUNGSEINSATZ:** Abbildung 12 zeigt die Funktionsweise der integrierten Rettungskurbel am Rebel Bergungs-HSG-R. Bei vollständig eingezogenem Sicherungsseil darf kein Rettungsversuch unternommen werden. Aktivierung des Bergungsmodus und Verwendung der Rettungskurbel:
1. Ziehen Sie den Rettungsgriff heraus, um den Kurbelarm freizugeben.
  2. Drehen Sie den Entnahmehandgriff um 180° aus dem HSG-Körper heraus.
  3. Ziehen Sie am Schiebeknopf und halten Sie ihn in der geöffneten Position.
  4. Schieben Sie die Kurbel in die Einrastposition und lassen Sie den Schiebeknopf los. Bei Bedarf kann die Kurbel etwas nach rechts gedreht werden, um das Einrasten zu unterstützen.
  5. Heben und senken Sie das Sicherungsseil wie in Abbildung 12 gezeigt:
    - A. Zum Anheben: Drehen Sie die Kurbel gegen den Uhrzeigersinn.
    - B. Zum Absenken: Drehen Sie den Kurbelarm zuerst etwas gegen den Uhrzeigersinn, um die Absturzsicherungsbremse zu lösen, und drehen Sie dann den Kurbelarm im Uhrzeigersinn.

Die integrierte Rettungskurbel auf 3-Wege-HSG-R-Modellen für die Notfallrettung dient nur zu Rettungszwecken und darf nicht für die Arbeitspositionierung oder zum Anheben oder Absenken von Material verwendet werden.

Rebel-HSG-Rs enthalten keine Überlastkupplung zur Begrenzung der auf die Antriebskomponenten und die angehängte Person ausgeübten Kraft. Im Bergungsmodus muss jeglicher Seildurchhang vermieden werden. Außerdem muss die Person während der Bergung überwacht werden, um sicherzustellen, dass sie im Fall eines Hängenbleibens oder Hindernisses nicht weiter angehoben und damit verbundenen Kräfteinwirkungen ausgesetzt wird.

Eine Mindestlast von 33,9 kg (75 lb.) ist erforderlich, um das Sicherungsseil abzusenken oder freizugeben. Eine Kraft von 0,13 kN (30 lb.) ist erforderlich, um das Bergungssystem zu bedienen, wenn es unter Volllast ist.

Drehen Sie nicht mehr weiter, wenn das Sicherungsseil vollständig ausgerollt oder eingezogen ist. Ein fortgesetztes Drehen kann die Komponenten beschädigen.

#### 4.7 BERGUNG DEAKTIVIEREN: Deaktivieren des Bergungsmodus:

Beim Deaktivieren des Bergungsmodus werden sämtliche abgelassenen Sicherungsseile in das HSG eingezogen. Zur Vermeidung von Verletzungen sollte das Sicherungsseil deshalb vor der Deaktivierung eingezogen oder während der Deaktivierung gehalten werden.

1. Entfernen Sie jegliche Last vom Sicherungsseil.
2. Ziehen Sie am Schiebeknopf und halten Sie ihn in der geöffneten Position.
3. Ziehen Sie die Kurbel aus der eingerasteten Position heraus und lassen Sie dann den Schiebeknopf los.
4. Ziehen Sie den Bergungsgriff heraus und drehen Sie ihn um 180° in Richtung des HSG-Aufbaus in die Stauposition.

## 5.0 INSPEKTION

Nach der Außerbetriebnahme kann das Gerät erst dann wieder in Betrieb genommen werden, wenn ein Sachkundiger schriftlich bestätigt, dass dies zulässig ist.

- 5.1 INSPEKTIONSHÄUFIGKEIT:** Das Produkt muss vom Benutzer vor jeder Benutzung und zusätzlich mindestens jährlich von einem Sachkundigen inspiziert werden, der nicht der Benutzer ist. Eine höhere Einsatzhäufigkeit des Geräts und rauere Bedingungen können es erforderlich machen, die Inspektionshäufigkeit durch einen Sachkundigen zu erhöhen. Die Häufigkeit dieser Inspektionen sollte vom Sachkundigen je nach den spezifischen Bedingungen des Einsatzortes festgelegt werden.
- 5.2 INSPEKTIONSVERFAHREN:** Inspizieren Sie dieses Produkt gemäß den im „Inspektions- und Wartungsprotokoll“ aufgeführten Verfahren. Der Eigentümer dieses Equipments sollte eine Dokumentation jeder Inspektion führen. Ein Inspektions- und Wartungsprotokoll sollte in der Nähe des Produkts angebracht oder anderweitig für Benutzer leicht zugänglich sein. Es wird empfohlen, dieses Produkt mit dem Datum der nächsten oder letzten Inspektion zu kennzeichnen.
- 5.3 SCHÄDEN:** Wenn das Produkt aufgrund eines vorhandenen Defekts oder eines unsicheren Zustands nicht wieder in Betrieb genommen werden kann, muss es entweder zerstört oder zum Austausch oder zur Reparatur an 3M oder ein von 3M autorisiertes Servicezentrum gesendet werden.
- 5.4 PRODUKTLEBENSDAUER:** Die Haltbarkeit des Produkts hängt von den Arbeitsbedingungen und der Wartung ab. Solange das Produkt die Inspektionskriterien erfüllt, kann es in Betrieb bleiben.

## 6.0 WARTUNG, REPARATUR UND AUFBEWAHRUNG

Equipment, das gewartet werden muss oder für das eine Wartung geplant ist, sollte mit „NICHT VERWENDEN“ gekennzeichnet werden. Diese Equipmentkennzeichnungen sollten bis zur Durchführung von Wartungsarbeiten nicht entfernt werden.

- 6.1 REINIGUNG:** Die Reinigung des Höhensicherungsgeräts sollte wie folgt durchgeführt werden:
- Reinigen Sie die Außenseite des Höhensicherungsgeräts regelmäßig mit Wasser und einer milden Seifenlösung. Positionieren Sie das Höhensicherungsgerät so, dass überschüssiges Wasser abfließen kann. Reinigen Sie die Etiketten bei Bedarf.
  - Reinigen Sie das Sicherungsseil mit Wasser und einer milden Seifenlösung. Ausspülen und gründlich an der Luft trocknen lassen. Trocknen Sie das Gerät nicht durch Erwärmen. Übermäßige Ablagerungen von Schmutz, Farbe usw. können verhindern, dass das Sicherungsseil vollständig ins Gehäuse eingezogen wird, mit der Gefahr eines möglichen freien Absturzes. Ersetzen Sie das Sicherungsseil bei übermäßigen Ablagerungen.
- 6.2 SERVICE:** Zusätzliche Wartungs- und Reparaturarbeiten müssen durch einen autorisierten Kundendienst erfolgen. Versuchen Sie niemals, die Höhensicherungsgerät zu demontieren oder Teile davon zu schmieren.
- 6.3 LAGERUNG UND TRANSPORT:** Transportieren und lagern Sie das Höhensicherungsgerät in einer kühlen, trockenen, sauberen Umgebung, in der sie vor direkter Sonneneinstrahlung geschützt ist. Setzen Sie das Produkt keinen chemischen Dämpfen aus. Kontrollieren Sie das HSG nach jeder längeren Lagerung.

## 7.0 ETIKETTEN

Abbildung 19 zeigt die Beschriftung der Selbstauslöser der Rebellen und ihre Position. Alle Etiketten müssen am HSG vorhanden sein. Etiketten müssen ersetzt werden, wenn sie nicht vollständig lesbar sind. Folgende Angaben sind auf jedem Etikett enthalten:

(A)	1) Karabinerhaken und Sturzindikator inspizieren. 2) Arretierfunktion des HSG inspizieren. 3) HSG-Sicherungsseil an der hinteren Rückenauflanggurt-Befestigung anschließen. 4) Nur zur vertikalen Anwendung. Das HSG niemals unterhalb der hinteren Rückenauflanggurt-Befestigung verankern. 4A) Kantenführungs-HSG-LE erforderlich für Verankerungsebene mit oder unterhalb der hinteren dorsalen Auflanggurtbefestigung. 4B) Nur zur vertikalen Anwendung. Das HSG niemals unterhalb der hinteren Rückenauflanggurt-Befestigung verankern. 5) Temperaturbereich -40 - 60 °C 6) Maximale Nutzlast – 140 kg 7) Kontrollierter Rückstoß des Sicherungsseils in das HSG. Sicherungsseil niemals frei zurückrollen lassen. 8) Arbeiten Sie unmittelbar unterhalb der HSG-Verankerung, um das Pendelsturzrisiko zu minimieren. 9) Darf nicht kundenseitig repariert werden. Dieses Produkt muss durch ein autorisiertes Servicecenter gewartet werden. 10) Lagern Sie HSGs an einem kühlen, trockenen, sauberen und von direkter Sonneneinstrahlung geschützten Ort. 11) HSG-Gehäuse nicht über einer Kante beladen. 12) Etiketten nicht entfernen. 13) Lesen Sie alle Anweisungen. 14) Kennnummer der notifizierten Stelle. 15) Monat der nächsten Inspektion 16) Jahr der nächsten Inspektion 17) Herstellungsjahr und -monat 18) Losnummer 19) Modellnummer 20) Länge des Sicherungsseils 21) Seriennummer
(B)	Kurbelarm im Uhrzeigersinn drehen, um Sicherungsseil abzusenken. Kurbelarm gegen den Uhrzeigersinn drehen, um Sicherungsseil anzuheben.
(C)	1) Rettungsgriff herausziehen. 2) Klappen Sie den Entnahmehandgriff aus dem HSG-R-Körper heraus. 3) Ziehen Sie den Schiebeknopf heraus und halten Sie ihn in dieser Position. 4) Hineindrücken und den Kurbelarm etwas im Uhrzeigersinn drehen. 5) Schiebeknopf loslassen.

**Tabelle 3 – Inspektions- und Wartungsprotokoll**

<b>Seriennummer(n):</b>	<b>Gekauft am:</b>
<b>Modellnummer:</b>	<b>Datum des ersten Einsatzes:</b>
<b>Inspiziert von:</b>	<b>Inspektionsdatum:</b>

<b>Komponente:</b>	<b>Inspektion:</b>	<b>Benutzer</b>	<b>Sachkundiger</b>
HSG (Abbildung 13)	Kontrollieren Sie auf lockere Schrauben sowie Verbiegungen und beschädigte Teile.	<input type="checkbox"/>	<input type="checkbox"/>
	Überprüfen Sie das Gehäuse (A) auf Verformung, Risse oder andere Schäden.	<input type="checkbox"/>	<input type="checkbox"/>
	Überprüfen Sie die Drehöse (B) auf Verformung, Risse oder andere Schäden. Die Drehöse sollte sicher am HSG befestigt sein, aber frei schwenken können.	<input type="checkbox"/>	<input type="checkbox"/>
	Das Sicherungsseil (C) muss ohne Verzögerung und Durchhängen vollständig aus- und eingezogen werden können.	<input type="checkbox"/>	<input type="checkbox"/>
	Stellen Sie sicher, dass das Gerät arretiert, wenn am Sicherungsseil heftig gezogen wird. Das Blockieren sollte unmittelbar und ohne Rutschen erfolgen.	<input type="checkbox"/>	<input type="checkbox"/>
	Alle Etiketten müssen vorhanden und vollständig lesbar sein (siehe Abbildung 19).	<input type="checkbox"/>	<input type="checkbox"/>
	Suchen Sie die gesamte Einheit nach Anzeichen für Korrosion ab.	<input type="checkbox"/>	<input type="checkbox"/>
Karabinerhaken und Kollisionsindikator (Abbildung 14)	Überprüfen Sie den drehbaren Karabinerhaken (E) auf Anzeichen von Beschädigungen, Korrosion und auf seine ordnungsgemäße Funktion. Das Drehlager muss frei drehbar sein. Überprüfen Sie die Kollisionsanzeige. Wenn das rote Band angezeigt wird (angezeigter Modus), ist eine Stoßbelastung aufgetreten, und das HSG muss außer Betrieb genommen und inspiziert werden. Versuchen Sie nicht, die Kollisionsanzeige zurückzusetzen. Bringen Sie das HSG zum Zurücksetzen an ein autorisiertes Servicezentrum zurück. HINWEIS: Die Drehöse dreht sich nicht ungehindert, wenn sich die Kollisionsanzeige im Anzeigemodus befindet.	<input type="checkbox"/>	<input type="checkbox"/>
Drahtsicherungsseil (Abbildung 15)	Überprüfen Sie das Drahtseil auf Schnitte, Knicke (A), gebrochene Drähte (B), aufgespreizte Drähte (C), Schweißspritzer (D), Korrosion, Berührung mit Chemikalien oder schweren Abrieb. Schieben Sie den Kabel-Stoßfänger (E) nach oben und kontrollieren Sie die Endhülsen (F) auf Risse oder Beschädigungen und kontrollieren Sie das Drahtseil auf Korrosion und gebrochene Drähte. Ersetzen Sie die Stahlseil-Baugruppe, wenn sich sechs oder mehr zufällig verteilte gebrochene Drähte in einer Lage befinden oder wenn sich drei oder mehr gebrochene Drähte in einem Strang in einer Lage befinden. Eine „Lage“ eines Stahlseils ist die Länge des Stahlseils, die ein Strang (die nächstgrößere Drahtgruppe) für einen Umlauf benötigt oder um sich, um das Seil zu winden. Ersetzen Sie die Drahtseilbaugruppe, wenn innerhalb von 25 mm (1 Zoll) der Klemmhülsen gebrochene Drähte vorhanden sind.	<input type="checkbox"/>	<input type="checkbox"/>
Reservesicherungsseil (Abbildung 16)	Prüfen Sie Abwickelvorrichtung des Reservesicherungsseils. Wenn ein Absturz aufgefangen wurde, während das Sicherungsseil größtenteils ausgerollt war, ist es möglich, dass das Reservesicherungsseil aktiviert wurde. Ziehen Sie das Sicherungsseil bis zum Anschlag aus der HSG-Einheit. Wenn das rote Band (G) sichtbar ist, ist das Reservesicherungsseil abgenutzt und das HSG muss von einem autorisierten Servicecenter gewartet werden, bevor es wieder eingesetzt werden kann.	<input type="checkbox"/>	<input type="checkbox"/>
HSG-LE Falldämpfer (Abbildung 17)	Bei Höhensicherungsgeräten mit Kantenführung (HSG-LEs) überprüfen Sie, ob der integrierte Falldämpfer nicht aktiviert wurde. Kein Gurtband sollte aus der Abdeckung (A) heraushängen. Die Abdeckung muss fest sowie frei von Rissen (B) oder anderen Beschädigungen sein.	<input type="checkbox"/>	<input type="checkbox"/>
Integrierte Rettungskurbel für die Bergung (Abbildung 18)	Überprüfen Sie die Rettungskurbel (A) auf Verformung oder andere Schäden. Stellen Sie sicher, dass der Bergungsgriff (B) nach außen gedreht und in der Kurbelposition gesichert werden kann.	<input type="checkbox"/>	<input type="checkbox"/>
	Stellen Sie sicher, dass der Schiebeknopf (C) in die offene Position herausgezogen und dann losgelassen werden kann, damit die Kurbel sowohl in der eingerasteten als auch in der nicht eingerasteten Position arretiert werden kann.	<input type="checkbox"/>	<input type="checkbox"/>
	Testen Sie die Rückholfunktion auf ordnungsgemäße Funktion, indem Sie ein Testgewicht von mindestens 34 kg (75 lb.) heben und senken. Wenn der Bergungsgriff freigegeben wird, sollte das Gewicht sich nicht bewegen und der Bergungsgriff in seiner Position (unbeweglich) bleiben. Beim Heben der Last sollte ein Klickgeräusch zu hören sein.	<input type="checkbox"/>	<input type="checkbox"/>

<b>Korrekturmaßnahmen/Wartung:</b>	Genehmigt von:	Nächstes Inspektionsdatum:
	Datum:	
<b>Korrekturmaßnahmen/Wartung:</b>	Genehmigt von:	Nächstes Inspektionsdatum:
	Datum:	
<b>Korrekturmaßnahmen/Wartung:</b>	Genehmigt von:	Nächstes Inspektionsdatum:
	Datum:	
<b>Korrekturmaßnahmen/Wartung:</b>	Genehmigt von:	Nächstes Inspektionsdatum:
	Datum:	
<b>Korrekturmaßnahmen/Wartung:</b>	Genehmigt von:	Nächstes Inspektionsdatum:
	Datum:	
<b>Korrekturmaßnahmen/Wartung:</b>	Genehmigt von:	Nächstes Inspektionsdatum:
	Datum:	
<b>Korrekturmaßnahmen/Wartung:</b>	Genehmigt von:	Nächstes Inspektionsdatum:
	Datum:	
<b>Korrekturmaßnahmen/Wartung:</b>	Genehmigt von:	Nächstes Inspektionsdatum:
	Datum:	

# INFORMACIÓN DE SEGURIDAD

Lea, comprenda y cumpla con todo lo dispuesto en la información de seguridad contenida en estas instrucciones antes de utilizar este producto. **SI NO LO HACE, PUEDE SUFRIR LESIONES GRAVES O MORTALES.**

Estas instrucciones deben entregarse al usuario de este equipo. Conserve las instrucciones para futuras consultas.

## Uso previsto:

Este producto se utiliza como parte de un sistema completo de protección contra caídas.

El empleo en cualquier otra aplicación, entre otras, la manipulación de material, actividades relacionadas de recreo o deportivas, u otras actividades no descritas en estas instrucciones, no está aprobado por 3M y podría provocar lesiones graves o mortales.

Este producto solo deben usarlo usuarios formados en su utilización en aplicaciones dentro del lugar de trabajo.



## ADVERTENCIA

Este producto se utiliza como parte de un sistema completo de protección contra caídas. Todos los usuarios deben haber recibido toda la formación necesaria en la instalación y funcionamiento seguros del sistema completo de protección contra caídas. **El uso indebido de este producto podría ocasionar lesiones graves o la muerte.** Para una selección, funcionamiento, instalación, mantenimiento y servicio adecuados, consulte todos los manuales de instrucciones y las recomendaciones del fabricante. Para obtener más información, consulte a su supervisor o póngase en contacto con los servicios técnicos de 3M.

### • Para reducir los riesgos asociados con trabajar con un dispositivo autorretráctil que, si no se evitan, pueden provocar lesiones graves o la muerte:

- Inspeccione el producto antes de cada uso y después de cualquier caída, de acuerdo con los procedimientos especificados en estas instrucciones.
- Si la inspección revela alguna condición insegura o defecto, retire el producto del servicio inmediatamente y márkelo claramente con las palabras "NO USAR". Destruya o repare el producto según lo requieran estas instrucciones.
- Cualquier producto que haya estado sometido a una fuerza de detención de caídas o impacto deberá retirarse inmediatamente del servicio. Destruya o repare el producto según lo requieran estas instrucciones.
- Asegúrese de que los sistemas de protección contra caídas ensamblados a partir de componentes fabricados por diferentes fabricantes sean compatibles y cumplan con todas las regulaciones, normas o requisitos de protección contra caídas aplicables. Consulte siempre con personal cualificado o competente antes de usar estos sistemas.
- Asegúrese de que la cuerda de sustento se mantenga libre de todos los peligros, incluidos, entre otros: enredos con usuarios, otros trabajadores, maquinaria en movimiento, otros objetos circundantes o impacto de objetos elevados que podrían caer sobre la cuerda de sustento o los usuarios.
- No retuerza, ate, anude ni deje holgura en la cuerda de sustento.
- Evite los peligros de tropiezo con las patas de la cuerda de sustento. Si están equipadas, conecte las patas no utilizadas de la cuerda de sustento a los elementos de sujeción de estacionamiento de la eslinga.
- No exceda el número de usuarios permitido según las instrucciones de uso.
- No usar en aplicaciones que tienen un trayecto de caída obstruido. Es necesario un trayecto sin obstáculos para bloquear el SRD. Trabajar en materiales de desplazamiento lento (como arena o grano) o dentro de espacios confinados o restringidos, puede que no permita que el trabajador alcance la velocidad suficiente como para provocar el bloqueo del SRD.
- Evite los movimientos repentinos o rápidos durante el trabajo, ya que esto puede causar que el SRD se bloquee involuntariamente.
- Tenga precaución al instalar, usar o trasladar el producto, ya que las partes móviles pueden crear puntos de enganche.
- Utilice una protección de borde adecuada cuando la cuerda de sustento pueda entrar en contacto con bordes afilados o superficies abrasivas.
- Retire inmediatamente el producto de servicio si se ha utilizado en un descenso.
- Antes de usar, asegúrese de que el trayecto de descenso y el área de llegada al suelo estén libres de obstáculos o peligros.
- Asegúrese de que el producto esté configurado e instalado correctamente para un funcionamiento seguro como se describe en estas instrucciones.

### • Para reducir los peligros asociados con el trabajo en altura que, si no se evitan, pueden provocar lesiones graves o la muerte:

- Su salud y condición física deben permitirle trabajar con seguridad en altura y resistir todas las fuerzas asociadas con un evento de detención de caída. Consulte con su médico si tiene alguna pregunta con respecto a su capacidad para utilizar este equipo.
- Nunca exceda la capacidad de carga de su equipo de protección contra caídas.
- Nunca exceda la distancia máxima de caída libre especificada para su equipo de protección contra caídas.
- No utilice ningún equipo de protección contra caídas que no pase la inspección o si tiene dudas sobre el uso o la idoneidad del equipo. Póngase en contacto con los servicios técnicos de 3M si tiene cualquier pregunta.
- Algunas combinaciones de subsistemas y componentes pueden perjudicar el funcionamiento del equipo. Use solo conectores compatibles. Póngase en contacto con los servicios técnicos de 3M antes de emplear este equipo con componentes o subsistemas distintos de los descritos en las instrucciones.
- Extreme la precaución cuando se encuentre alrededor de maquinaria en movimiento, cuando existan riesgos eléctricos, temperaturas extremas, peligros químicos, gases explosivos o tóxicos, bordes afilados, superficies abrasivas o materiales que se encuentren por encima de usted y que podrían caer sobre usted o sobre el equipo de protección contra caídas.
- Asegúrese de que el uso de su producto sea apto para los peligros presentes en su entorno de trabajo.
- Asegúrese de que haya una distancia de caída adecuada cuando trabaje en altura.
- Nunca modifique o altere su equipo de protección contra caídas. Solo 3M o las personas autorizadas por escrito por 3M pueden reparar los equipos de 3M.
- Antes de usar el equipo de protección contra caídas, asegúrese de contar con un plan de rescate por escrito para brindar un rescate rápido si ocurre una caída.
- Si se produjera una caída, busque atención médica inmediatamente para el trabajador que se haya caído.
- Utilice únicamente un arnés de cuerpo entero para aplicaciones de detención de caídas. No use un cinturón corporal.
- Trabaje en un lugar situado lo más directamente posible por debajo del punto de anclaje para minimizar la posibilidad de caídas con balanceo.
- Se debe utilizar un sistema secundario de protección contra caídas al formarse en este producto. Los aprendices no deben estar expuestos a un peligro de caída involuntaria.
- Lleve siempre el equipo de protección individual apropiado cuando instale, use o inspeccione el producto.
- Nunca trabaje bajo una carga o un trabajador suspendidos.
- Mantenga siempre un amarre al 100 %.

Antes de utilizar este equipo, registre la información de identificación del producto indicada en la etiqueta de identificación en el «Registro de inspección y mantenimiento» al final de este manual.

Siempre asegúrese de estar utilizando la última revisión de su manual de instrucciones de 3M. Visite el sitio web de 3M o póngase en contacto con el Servicio Técnico de 3M para obtener los manuales de instrucciones actualizados.


## DESCRIPCIÓN:

La Figura 2 identifica los componentes clave de los dispositivos autorretráctiles (SRD) Protecta Rebel. Los SRD Rebel son cabos anticaídas de cable metálico bobinado en tambor (A) que se retraen en una carcasa termoplástica o de aluminio (B). Pueden colgar de un anclaje mediante un mosquetón fijado mediante un cáncamo giratorio (C) en la parte superior del SRD. Un gancho de seguridad de cierre automático (D) en el extremo de la línea de vida se conecta a la conexión designada de detención de caídas en un arnés de cuerpo completo. Un parachoques (E) protege el cable metálico y las férulas que aseguran el gancho de seguridad contra la abrasión y la corrosión.


La Figura 1 define los modelos SRD Rebel que aparecen en este manual de instrucciones. Existen los siguientes tipos de dispositivos disponibles:

- **Dispositivo autorretráctil (Figura 2A):** los dispositivos autorretráctiles (SRD) son adecuados para aplicaciones en las que, por lo general, el anticaídas permanece vertical durante el uso y la posible caída libre se limita a 0,6 m (2 ft).
- **Dispositivos autorretráctiles con borde abierto (Figura 2B):** los dispositivos autorretráctiles con borde de abierto (SRD-LE) son adecuados para aplicaciones en las que, por lo general, el anticaídas permanece horizontal durante el uso y la posible caída libre se limita a 1,5 m (5 ft). Los SRD-LE cuentan con un absorbedor de energía integral (F) o un componente similar para soportar la carga de impacto del anticaídas sobre un borde afilado o abrasivo durante la detención de caídas y minimizar las fuerzas de detención de caídas sobre el usuario.
- **Dispositivo autorretráctil con rescate (Figura 2C):** los dispositivos autorretráctiles con rescate (SRD-R) incluyen un medio integral para el rescate asistido mediante la elevación o el descenso del sujeto de rescate. Los SRD-R están equipados con una manivela manual de recuperación de emergencia de 3 vías (G). Para aplicaciones en espacios reducidos, algunos modelos pueden incluir un soporte de montaje de trípode (H) para montar el SRD-R en la pata de un trípode.

**Tabla 1 – Especificaciones**

 Carcasas	Material
9508320 + 9520047	Aluminio; SRD-R de 15 m (50 ft)
9511070 + 9511071	Termoplástico; SRD de 6 m (20 ft), SRD de 10 m (33 ft) y SRD-LE con borde abierto de 6 m (20 ft)
9520021 + 9520022	Aluminio; SRD de 6 m (20 ft) y 10 m (33 ft)
9520044 + 9520045	Termoplástico; SRD de 15 m (50 ft) y 10 m (33 ft) (20 ft)
9520046 + 9520047	Aluminio; SRD-R de 15 m (33 ft)
9520056 + 9520057	Termoplástico; SRD de 20 m (66 ft), 25 m (82 ft) y 30 m (100 ft) (33 ft)
9520058 + 9520059	Aluminio; SRD de 20 m (66 ft), 25 m (82 ft) y 30 m (100 ft) (33 ft)

 Sustento	Descripción	Gancho
9501087 + 2000175	Cable de acero galvanizado de 5,56 mm (7/32 in), mosquetón con cierre automático giratorio de aleación de acero, con autobloqueante e indicador	2000175
9501479 + 2000175	Cable de acero galvanizado de 4,76 mm (3/16 in), mosquetón con cierre automático giratorio de aleación de acero, con autobloqueante e indicador	2000175
9501613 + 2000170	Cable de acero inoxidable de 4,76 mm (3/16 in), mosquetón con cierre automático giratorio de acero inoxidable, con autobloqueante e indicador	2000170
9501613 + 2000175	Cable de acero inoxidable de 4,76 mm (3/16 in), mosquetón con cierre automático giratorio de aleación de acero, con autobloqueante e indicador	2000175
9501613 + 2100044	Cable de acero inoxidable de 4,76 mm (3/16 in), mosquetón con cierre automático giratorio de acero inoxidable, con autobloqueante e indicador	2100044

Gancho	Descripción	Material	Fuerza del mecanismo de apertura	Tamaño de abertura
2000170	Mosquetón con cierre giratorio autobloqueante con indicador de impacto	Acero inoxidable	16 kN (3600 lbf)	1,9 cm (0,75 in)
2000175	Mosquetón con cierre automático giratorio con autobloqueante e indicador de impacto	Acero galvanizado	16 kN (3600 lbf)	1,9 cm (0,75 in)
2100044	Mosquetón con cierre automático giratorio con autobloqueante e indicador de impacto	Acero inoxidable	16 kN (3600 lbf)	1,9 cm (0,75 in)

**Tabla 1 – Especificaciones**

<b>Carga de rotura del cable metálico anticaídas:</b>	9501479: acero galvanizado de 4,76 mm (3/16 in) de diámetro Mín. Resistencia a la rotura por tracción de 18,7 kN (4200 lbf) 9501613: acero inoxidable de 4,76 mm (3/16 in) de diámetro Mín. Resistencia a la rotura por tracción de 16,0 kN (3600 lbf) 9501087: acero galvanizado de 5,55 mm (7/32 in) de diámetro Mín. Resistencia a la rotura por tracción de 24,9 kN (5600 lbf)
<b>Carga máxima de elevación del SRD-R:</b>	135 kg (298 lb)
<b>Fuerza de anclaje</b>	12 kN (2,697 lbf)

<b>Especificaciones del SRD</b>	<b>Modelos CE (EN 360)</b>
<b>Rango de capacidad:</b>	59-140 kg (130- 310 lb)
<b>Fuerza máxima de detención:</b>	6 kN (1350 lbf)
<b>Fuerza media de detención:</b>	4,0 kN (900 lbf)
<b>Distancia máxima de detención:</b> <i>*Asumiendo que el SRD está montado directamente sobre el usuario.</i>	1,1 m (42 in)
<b>Distancia de caída mínima requerida:</b> <i>*Asumiendo que el SRD está montado directamente sobre el usuario.</i>	1,8 m (6 ft)
<b>Distancia de caída libre máxima:</b> <i>*El SRD debe montarse sobre la anilla D del usuario.</i>	0,6 m (2 ft)

<b>Especificaciones del SRD-LE:</b>	<b>Modelos CE (EN 360 + CNB /P/11.060)</b>
<b>Rango de capacidad:</b>	59-140 kg (130- 310 lb)
<b>Fuerza máxima de detención:</b>	6 kN (1350 lbf)
<b>Fuerza media de detención:</b>	4 kN (900 lbf)
<b>Distancia máxima de detención:</b> <i>*Asumiendo que el SRD está montado directamente sobre el usuario.</i>	1,1 m (42 in)
<b>Distancia de caída mínima requerida:</b>	Vertical: 1,8 m (6 ft) Horizontal: 5,03 m (16,5 ft)
<b>Distancia de caída libre máxima:</b> <i>*El SRD debe montarse sobre la anilla D del usuario.</i>	0,6 m (2 ft)
<b>Distancia de caída libre máxima con borde abierto:</b> <i>*Medida desde la anilla D del usuario hasta el área de trabajo.</i>	1,5 m (5 ft)



## 1.0 APLICACIONES

- 1.1 PROPÓSITO:** Los dispositivos autorretráctiles 3M (Self-Retracting Devices, SRD) están diseñados para ser un componente de los sistemas personales de detención de caídas (PFAS). La Figura 1 ilustra los SRD comprendidos en este manual de instrucciones y sus aplicaciones típicas. Pueden utilizarse en la mayoría de las situaciones que requieran proporcionar al operario una combinación de movilidad y protección contra caídas (p. ej., tareas de inspección, construcción en general, tareas de mantenimiento, producción petrolera, trabajo en espacios confinados, etc.).
- 1.2 NORMAS:** Su SRD cumple las normas nacionales o regionales identificadas en la cubierta de estas instrucciones. Si se revende este producto fuera del país de destino original, el revendedor debe proporcionar estas instrucciones en el idioma del país en donde se utilizará el producto.
- 1.3 FORMACIÓN:** Este equipo está diseñado para ser utilizado por personas que hayan recibido formación sobre su uso y aplicación correctos. Es responsabilidad del usuario garantizar que está familiarizado con estas instrucciones, y que cuenta con formación en el cuidado y uso correctos de este equipo. El usuario también debe tener conocimiento de las características de funcionamiento, los límites de aplicación y las consecuencias del uso incorrecto de este equipo.
- 1.4 LIMITACIONES:** Tenga siempre en cuenta las siguientes limitaciones y requisitos cuando instale o utilice este equipo:
- **Capacidad:** Se ha probado el cumplimiento de este SRD para ser utilizado por una sola persona con un peso combinado (ropa, herramientas, etc.) de entre 59 y 140 kg (130 y 310 lb respectivamente).<sup>1</sup> Asegúrese de que todos los componentes del sistema se han preparado para una capacidad adecuada para su aplicación.
  - **ANCLAJE:** Los requisitos de anclaje varían con la aplicación de protección contra caídas. La estructura sobre la que se coloca o instala el conector de anclaje debe cumplir las especificaciones de anclaje definidas en la Tabla 1.
  - **Velocidad de bloqueo:** Se deben evitar las situaciones que no permitan un trayecto de caída sin obstrucciones. Trabajar en espacios confinados o estrechos puede hacer que el cuerpo no alcance suficiente velocidad para provocar el bloqueo del SRD en caso de producirse una caída. Es posible que al trabajar sobre materiales de desplazamiento lento, como arena o grano, no se alcance la velocidad suficiente para provocar el bloqueo del SRD. Es necesario un trayecto sin obstáculos para garantizar un bloqueo correcto del SRD.
  - **Caída libre:** El uso adecuado de un SRD en aplicaciones generales minimizará la distancia de caída libre. Para evitar una mayor distancia de caída libre, siga las instrucciones a continuación:
    - Nunca pince, anude o de algún modo impida que el anticaídas se retraiga o permanezca tirante.
    - Evite cualquier holgura en el anticaídas del SRD.
    - No trabaje por encima del nivel de su anclaje.
    - No alargue el SRD mediante la conexión de una eslinga o de un componente similar sin consultar antes con 3M.

Para obtener información específica del producto relacionada con los valores de caída libre y distancia de caída, consulte la Tabla 1 de esta instrucción.

- **Caídas con oscilación:** Las caídas con oscilación ocurren cuando el punto de anclaje no se encuentra directamente encima del punto donde se produce la caída. La fuerza con que se golpea un objeto en una caída con oscilación puede causar lesiones graves (consulte la figura 3A). Trabaje en un lugar situado lo más directamente posible por debajo del punto de anclaje para minimizar la posibilidad de caídas con balanceo (Figura 3B). El trabajo lejos del punto de anclaje (Figura 3C) incrementará el impacto de una caída de oscilación y aumentará la distancia de caída (FC) necesaria.
- **Distancia de caída:** La figura 3B muestra el cálculo de la distancia de caída. La distancia de caída (Fall Clearance, FC) es la suma de la caída libre (Free Fall, FF), distancia de desaceleración (Deceleration Distance, DD) y factor de seguridad (Safety Factor, SF):  $FC = FF + DD + SF$ . En el factor de seguridad se incluyen el deslizamiento de la anilla D y el estiramiento del arnés. En la figura 4 aparecen los valores de caída que se han calculado. Para todos los valores de la figura 4 se utilizó un factor de seguridad de 1 m (3,28 ft). Las Figuras 3D y 3C ilustran la distancia de caída. Para caídas en posición de pie en las que el SRD esté anclado directamente encima (Figura 3B), los sistemas de detención de caídas SRD deben tener las distancias de caída mínima especificadas en la Tabla 1. Las caídas en posición de rodillas o en cuclillas requerirán de 1 m (3 ft) adicional de distancia de caída. En una situación de caída con oscilación (Figura 3C), la distancia total de la caída vertical del usuario será mayor que si el usuario hubiese caído directamente bajo el punto de anclaje, y puede requerir una distancia de caída adicional. En la Figura 4 y en su tabla acompañante se define el radio máximo de trabajo (C) para distintas alturas de anclaje de SRD (A) y distancias de caída (B). La zona de trabajo recomendada se limita al área situada dentro del radio máximo de trabajo.
- **Peligros:** El uso de este equipo en zonas con peligros ambientales puede requerir precauciones adicionales para reducir la posibilidad de lesiones al usuario o de daños al equipo. Los peligros pueden incluir, entre otros: el calor excesivo, sustancias cáusticas, ambientes corrosivos, líneas de alta tensión, gases explosivos o tóxicos, maquinaria en movimiento, o materiales que puedan caer y golpear al usuario o al sistema de detención de caídas. Evite trabajar en lugares donde el anticaídas pueda cruzarse o enredarse con el de otro trabajador. Evite trabajar en sitios donde pueda caer un objeto que golpee el anticaídas y pueda producirle daños o una pérdida de equilibrio. No permita que el anticaídas pase por debajo de los brazos o entre las piernas.
- **Bordes afilados:** Evite trabajar en sitios donde el cabo anticaídas pueda estar en contacto con bordes afilados sin protección o pueda friccionarse contra ellos. Cuando el contacto con un borde afilado sea inevitable, cubra el borde con material protector.

## 2.0 USO

- 2.1 PLAN DE RESCATE:** Al utilizar este equipo, el empleador debe tener un plan de rescate y los medios a mano para implementarlo, así como comunicar el plan a los usuarios, personas autorizadas y rescatadores.
- 2.2 FRECUENCIA DE INSPECCIÓN:** Los SRD deben inspeccionarse por la persona autorizada<sup>2</sup> o por el rescatador<sup>3</sup> antes de cada uso (consulte la Tabla 2). Además, las inspecciones deberá realizarlas una persona competente,<sup>4</sup> que no sea el usuario, en intervalos no superiores al año. Las condiciones de trabajo extremas (entornos duros, uso prolongado, etc.) pueden hacer que sea necesario aumentar la frecuencia de las inspecciones que realizan las personas competentes. Los procedimientos de inspección se describen en el "Registro de inspección y mantenimiento" (Tabla 3). Los resultados de la inspección por parte de la persona competente deben registrarse en el "Registro de inspección y mantenimiento" o registrarse con el sistema RFID.

**1 Capacidad:** Los SRD con recuperación de 3 posiciones están calificados para soportar una elevación máxima de carga de 135 kg (298 lb).

**2 Persona autorizada:** una persona asignada por el empleador para realizar tareas en una ubicación donde estará expuesto a riesgo de caída.

**3 Rescatador:** persona o personas, que no sean el sujeto que se pretende rescatar, que actúan para realizar un rescate asistido mediante un sistema de rescate.

**4 Persona competente:** una persona designada por el empleador que se encarga de la supervisión inmediata, implementación y seguimiento del programa de protección contra caídas del empleador, quien, mediante su formación y conocimiento, puede identificar, evaluar y atender los riesgos reales y potenciales de caídas, y que cuenta con la autorización del empleador para tomar medidas correctivas inmediatas en relación con dichos riesgos.

- 2.3 FUNCIONAMIENTO NORMAL:** El funcionamiento normal permitirá extender y retraer el anticaídas completo, sin dificultad y sin holgura, cuando el trabajador se mueve a velocidad normal. En caso de que se produzca una caída, un sensor de velocidad activará un sistema de freno que permitirá detener la caída y absorber mucha de la energía generada. Se deben evitar los movimientos repentinos o rápidos durante las labores normales de trabajo, dado que pueden provocar el bloqueo del SRD. Para caídas que se produzcan cerca del final del recorrido del anticaídas, se ha incorporado un sistema de reserva anticaídas o absorbedor de energía para reducir las fuerzas de detención de caídas. Si el SRD ha sido sometido a fuerzas de detención de caídas: retírelo del servicio, márkelo o etiquételo como "INUTILIZABLE", inspecciónelo y repárelo de la forma indicada en la Sección 5 y en la 6.
- 2.4 SUJECCIÓN DEL CUERPO:** Se debe utilizar un arnés de cuerpo completo con los dispositivos autorretráctiles. El punto de conexión del arnés debe estar situado por encima del centro de gravedad del usuario. No se autoriza el uso de un cinturón corporal con los dispositivos autorretráctiles. En caso de caída, el uso de un cinturón corporal puede causar la liberación accidental del sistema o traumas físicos por una sujeción inadecuada al cuerpo.
- 2.5 COMPATIBILIDAD DE COMPONENTES:** Salvo que se indique lo contrario, el equipo 3M está diseñado para su uso solo con componentes y subsistemas aprobados por 3M. Las sustituciones que se hagan con componentes o subsistemas no aprobados pueden poner en peligro la compatibilidad del equipo y afectar a la seguridad y fiabilidad de todo el sistema. Siga las instrucciones del fabricante para los componentes y subsistemas de su sistema personal de detención de caídas.
- 2.6 COMPATIBILIDAD DE CONECTORES:** Los conectores se consideran compatibles con los elementos de conexión cuando, sin importar cómo queden orientados, se han diseñado para trabajar en conjunto de manera que sus tamaños y formas no provoquen que sus mecanismos de apertura se abran inesperadamente. Póngase en contacto con 3M si tiene alguna duda sobre compatibilidad.
- Los conectores utilizados para suspender el SRD deben cumplir con la norma EN362. Los conectores deben ser compatibles con el anclaje y los demás componentes del sistema. No utilice equipos que no sean compatibles. Los conectores no compatibles pueden desengancharse de manera accidental (véase la Figura 5). Los conectores deben ser compatibles en tamaño, forma y resistencia. Se precisan mosquetones con cierre automático y mosquetones con cierre automático. Si el elemento conector al que se acopla un mosquetón con cierre automático o un mosquetón es más pequeño de lo normal o tiene forma irregular, puede suceder que el elemento conector ejerza una fuerza sobre el mecanismo de apertura del mosquetón con cierre automático o el mosquetón (A). Esta fuerza puede hacer que el mecanismo de apertura se abra (B) y permitir que el mosquetón con cierre automático o el mosquetón se desenganchen del punto de conexión (C).
- 2.7 REALIZACIÓN DE CONEXIONES:** Los mosquetones con cierre automático y mosquetones que haya que usar con este equipo deben ser de autobloqueo. Asegúrese de que todas las conexiones sean compatibles en tamaño, forma y resistencia. No utilice equipos que no sean compatibles. Asegúrese de que todos los conectores estén totalmente cerrados y bloqueados. Los conectores 3M (mosquetones con cierre automático y mosquetones) están diseñados para usarse solo como se indica en las instrucciones del usuario del producto. Consulte la figura 6 para ver ejemplos de conexiones incorrectas. No conecte mosquetones con cierre automático y mosquetones:
- A una anilla D que tenga otro conector acoplado.
  - De algún modo que dé como resultado una carga sobre el mecanismo de apertura. Los mosquetones con cierre automático de abertura grande no deben conectarse a anillas D de tamaño estándar o a objetos similares, ya que podrían provocar una carga sobre el gancho si el mosquetón o la anilla D se torciera o girara, a menos que el mosquetón con cierre automático venga equipado con un gancho de 16 kN (3600 lb). Compruebe las marcas del mosquetón con cierre automático para verificar que es adecuado para su aplicación.
  - En un acoplamiento en falso, donde los elementos que se proyectan desde el mosquetón con cierre automático o el mosquetón se enganchan al anclaje y, sin confirmación visual, parecieran estar completamente acoplados al punto de anclaje.
  - Entre sí.
  - Directamente al tejido o eslinga de cuerda o al cabo (a menos que las instrucciones del fabricante tanto para la eslinga como para el conector permitan específicamente esta conexión).
  - A cualquier objeto que tenga una forma o dimensión tal que el mosquetón con cierre automático o el mosquetón no se cierren ni se bloqueen o que puedan soltarse.
  - De modo que el conector no quede correctamente alineado mientras está soportando carga.

**Tabla 2 – Programa de inspección**

Tipo de uso	Ejemplos de aplicación	Condiciones de uso	Frecuencia de inspección
			Persona competente
De poco frecuente a escaso	Rescate y espacio confinado, mantenimiento de la fábrica	Buenas condiciones de almacenamiento, uso en interiores o uso poco frecuente en exteriores, temperatura ambiente, ambientes limpios	Una vez al año
De moderado a intenso	Transporte, construcción residencial, servicios públicos, almacén	Condiciones adecuadas de almacenamiento, uso en interiores y uso prolongado en exteriores, todas las temperaturas, ambientes limpios o polvorientos	Dos veces al año o una vez al año
De severo a continuo	Construcción comercial, petróleo y gas, minería	Condiciones exigentes de almacenamiento, uso en exteriores prolongado o continuo, todas las temperaturas, ambiente sucio	Trimestralmente o cada seis meses

**2.8 DISPOSITIVOS AUTORRETRACTILES CON BORDE ABIERTO (SRL-LE):** Este manual de instrucciones versa sobre dispositivos autorretractiles con borde abierto (por sus siglas en inglés, SRL-LE). Consulte la figura 1 para ver los modelos de dispositivos autorretractiles con borde abierto específicos. El uso horizontal de los dispositivos autorretractiles con borde abierto ha sido testado, así como las caídas sobre bordes de acero sin rebabas. Los dispositivos autorretractiles con borde abierto se pueden emplear en situaciones en las que pueden producirse caídas sobre bordes de acero, como sucede en estructuras de acero o en láminas metálicas.

**Precauciones del borde abierto:** Tenga en cuenta las siguientes precauciones cuando emplee dispositivos autorretractiles con borde abierto:

- El ángulo permitido de redireccionamiento de la parte anticaídas del dispositivo autorretractil en el borde en el que puede producirse una caída (medido entre los dos lados que forma la parte anticaídas redireccionada) debe ser, como mínimo, de 90 grados (consulte la figura 7).
- El punto de anclaje debe situarse a la misma altura que el borde sobre el que puede producirse la caída, o bien, por encima de él. Los puntos de anclaje situados debajo del borde son peligrosos porque pueden provocar que el anticaídas se redireccione en un ángulo menor de 90 grados (consulte la figura 7).
- Consulte la Sección 1 para ver las limitaciones del área de trabajo permitida en relación al punto de anclaje, incluyendo factores como la oscilación de la caída y la abrasión de la eslinga en el borde y el uso de un solo punto de anclaje en lugar de varios que permitan el movimiento horizontal (p. ej., anticaídas horizontales o raíles horizontales).
- Los dispositivos autorretractiles con borde abierto pueden usarse con anticaídas horizontales o con raíles horizontales solo si así se indica expresamente en las instrucciones de dichos productos.
- No trabaje en el lado externo de una abertura, frente al punto de anclaje del dispositivo.
- En caso de caída sobre el borde puede ser necesario aplicar medidas especiales de rescate.
- Cuando planifique su aplicación en borde abierto, asegúrese de que los parámetros del área de trabajo se encuentren dentro de la distancia mínima de retroceso, de la distancia máxima de caída libre y de la distancia de caída permitidas en caídas sobre bordes, tal y como se indica en el etiquetado del dispositivo.

**Cálculo de la distancia de caída en borde abierto:** La distancia de caída mínima requerida al caer sobre un borde puede calcularse basándose en la distancia de retroceso y en la distancia a lo largo del borde de su aplicación de borde abierto (consulte la figura 8). Para calcular la distancia de caída a partir de la tabla de la figura 8:

1. Seleccione el valor que más se aproxime a su distancia de retroceso (A) en los encabezados de las filas del lado izquierdo.
2. Seleccione el valor que más se aproxime a su distancia de trabajo a lo largo del borde (B) entre los encabezados de las columnas superiores. Las áreas sombreadas sin valores indican que la distancia a lo largo del borde está fuera del radio de trabajo de seguridad para la distancia de retroceso elegida.
3. La distancia de caída mínima requerida al caer sobre un borde (C) será el valor que aparezca en el cruce de la fila seleccionada en el Paso 1 y la columna seleccionada en el Paso 2.
4. Repita los pasos anteriores para cualquier borde sobre el que el trabajador podría caer para determinar la situación segura del anclaje y el radio de trabajo permisible.

**Definiciones de borde afilado CE:** Los dispositivos autorretractiles CE han sido evaluados con éxito para su uso horizontal y para caídas sobre un borde de acero sin rebabas. Se deben observar las restricciones de distancia mínima que se muestran en la figura 8. Evite trabajar donde el anticaídas choque continua o repetidamente contra bordes abrasivos o afilados. Omite ese contacto o proteja los bordes con una almohadilla pesada u otro medio. Los tipos de borde se definen de la siguiente manera:

**VG 11.60 revisión 6 Definición de borde tipo A:** En la prueba se empleó un borde de acero con un radio de  $r=0,5$  mm sin rebabas. Según los resultados de esta prueba, el equipo se puede usar sobre bordes similares, que se pueden encontrar, por ejemplo, en perfiles de acero laminado, en vigas de madera o en un parapeto redondeado y revestido.

### 3.0 DE LA PLACA

- 3.1 PLANIFICACIÓN:** planifique el sistema de protección contra caídas antes de comenzar a trabajar. Tenga en cuenta todos los factores que podrían afectar a su seguridad antes, durante y después de una caída. Considere todos los requisitos y limitaciones definidos en este manual.
- 3.2 ANCLAJE:** la Figura 9 muestra las conexiones de anclaje típicas de la unidad SRD. El anclaje (A) debe fijarse directamente al techo o por encima de la cabeza para minimizar los riesgos de caída libre y caída con oscilación (vea la Sección 2). Seleccione un punto de anclaje rígido capaz de sustentar las cargas estáticas definidas en la Sección 2.2. El cáncamo giratorio del SRD está equipado con un mosquetón (B). Fije el mosquetón directamente a la estructura de anclaje (barra de refuerzo, hierro angular, etc.), a un adaptador de amarre (C) o a un punto de conexión de anclaje (D).
- 3.3 CONEXIÓN A ARNÉS:** para la detención de caídas se requiere un arnés de cuerpo completo. Conecte el mosquetón con cierre automático (A) del anticaídas SRD a la anilla D dorsal trasera (B) del arnés de cuerpo completo. (consulte la Figura 10). Para situaciones tales como subir las escaleras, puede resultar útil conectarlo a la anilla D para el esternón delantera. Consulte las instrucciones del fabricante del arnés para ver los detalles del uso de los puntos de conexión del arnés.
- 3.4 MONTAJE DE TRÍPODE:** la Figura 11 muestra la instalación del dispositivo autorretráctil Rebel con manivela manual de recuperación en un trípode Protecta. El SRD-R se monta sobre una pata del trípode y el anticaídas se pasa a través de un sistema de polea en la parte superior del trípode. Consulte las instrucciones incluidas en su trípode y soporte de montaje para más información.

### 4.0 USO

*Los usuarios poco habituados a los dispositivos autorretráctiles (Self-Retracting Devices, SRD) deben consultar la "Información de seguridad" que se encuentra al principio de este manual antes de utilizar el SRD.*

- 4.1 ANTES DE CADA USO:** Verifique que su área de trabajo y el sistema de protección contra caídas cumplan con todos los criterios definidos en estas instrucciones. Compruebe que exista un plan de rescate formal. Inspeccione el producto según los puntos de inspección del usuario definidos en "Registro de inspección y mantenimiento". Si la inspección pone de manifiesto una condición insegura o defectuosa, o si hay alguna duda sobre si está en condiciones para utilizarlo de forma segura, deje de utilizar el producto de inmediato. Coloque una etiqueta que indique claramente "NO UTILIZAR". Consulte la sección 5 para obtener información.
- 4.2 DESPUÉS DE UNA CAÍDA:** cualquier equipo que haya sido sometido a fuerzas de detención de caídas o muestre signos de daño como consecuencia del efecto de estas fuerzas según se describe en el Apartado 5, deberá ser retirado del servicio inmediatamente, marcado como "INUTILIZABLE" e inspeccionado y sometido a revisión del servicio técnico según se describe en los Apartados 5 y 6.
- 4.3 SOPORTE CORPORAL:** cuando utilice los SRD de 3M debe llevar un arnés de cuerpo completo. Para protección general contra caídas, engánchelo a la anilla D dorsal trasera. Para situaciones tales como subir las escaleras, puede resultar útil conectarlo a la anilla D para el esternón delantera. Consulte las instrucciones del fabricante del arnés para ver los detalles del uso de los puntos de conexión del arnés.
- 4.4 REALIZACIÓN DE CONEXIONES:** Cuando utilice un gancho para realizar una conexión, asegúrese de que no pueda soltarse (consulte la figura 5). No use ganchos ni conectores que no se cierren completamente sobre el objeto de fijación. No utilice mosquetones sin cierre automático. La superficie de montaje debe cumplir con los requisitos de resistencia del anclaje que figuran en el Apartado 2.2. Siga las instrucciones del fabricante suministradas con cada componente del sistema.
- 4.5 FUNCIONAMIENTO:** inspeccione la unidad SRD según se describe en el Apartado 5.0. Conéctelo a un anclaje o conector de anclaje apropiado como se describió anteriormente. Conecte el mosquetón con cierre automático autobloqueante del extremo del anticaídas a la anilla D dorsal del arnés de cuerpo completo (consulte la Figura 10). Asegúrese de que las conexiones sean compatibles en tamaño, forma y resistencia. Asegúrese de que el gancho esté totalmente cerrado y bloqueado. Una vez fijado, el trabajador tiene libertad de movimiento dentro del área de trabajo recomendada a velocidades normales. Si la perilla RSQ está ajustada a "Fall Arrest" (Detención de caídas), el SRD detendrá la caída. Si la perilla RSQ está ajustada a "Descent" (Descenso), el SRD hará descender automáticamente al usuario a un nivel inferior si se produce una caída. Cuando trabaje con un SRD, deje siempre que el anticaídas se repliegue en el dispositivo de control. Es posible que se necesite un cabo de retención para extender o retraer el anticaídas al realizar una conexión o desconexión. Puede utilizarse un cabo de retención para evitar la retracción descontrolada del anticaídas en el SRD. Según el entorno y las condiciones del sitio de trabajo, es posible que sea necesario restringir el extremo libre del cabo de retención para evitar la interferencia y el enredo con el equipo o la maquinaria.
- 4.6 FUNCIONAMIENTO DE LA RECUPERACIÓN:** la Figura 12 muestra el funcionamiento de la manivela manual de rescate integral en el SRD-R Rebel con sistema de recuperación. No intente poner en funcionamiento el sistema de recuperación con el anticaídas completamente retraído. Para activar el modo de recuperación y utilizar la manivela manual de rescate:
1. Saque la manivela de recuperación para soltar el brazo de la manivela.
  2. Gire 180° la manivela de recuperación del cuerpo del SRD.
  3. Tire de la perilla de cambio y manténgala en la posición de desbloqueo.
  4. Presione el brazo de la manivela hacia dentro y libere la perilla de cambio hasta que enganche. Si es necesario, gire el brazo de la manivela en el sentido de las agujas del reloj para ayudar al acoplamiento del equipo.
  5. Suba y baje el anticaídas como se ilustra en la Figura 12:
    - A. Para subir: gire el brazo de la manivela en sentido contrario a las agujas del reloj.
    - B. Para bajar: gire el brazo de la manivela ligeramente en el sentido contrario a las agujas del reloj para liberar el freno de detención de caídas; a continuación, gírelo en el sentido de las agujas del reloj.

*La manivela manual de rescate integral en modelos SRD-R con sistema de recuperación de emergencia de 3 vías es solo para fines de rescate y no debe utilizarse para posicionamiento de trabajo o material de elevación/descenso.*

Los SRD-R Rebel no incorporan un embrague de sobrecarga para limitar la fuerza ejercida sobre los componentes accionamiento y la persona sujeta. Evite que el cabo se afloje mientras esté en modo de recuperación. También debe controlarse al individuo durante la recuperación para garantizar que no esté sujeto a una fuerza excesiva como resultado de la elevación continuada después de haber quedado enredado en una obstrucción.

Para bajar o desplegar el anticaídas, se requiere una carga mínima de 33,9 kg (75 lb). Para accionar el sistema de recuperación cuando está cargado hasta su capacidad máxima, se requiere una fuerza de 0,13 kN (30 lb).

Deje de girar la manivela cuando el anticaídas esté totalmente extendido o retraído. Si sigue girando la manivela, puede dañar los componentes.

**4.7 DESACOPLAMIENTO DE LA RECUPERACIÓN:** para desacoplar el modo de recuperación:

cuando se desacopla el modo de recuperación, cualquier anticaídas extendido se replegará en el SRD. Para evitar posibles lesiones, retraiga el anticaídas antes del desacoplamiento o manténgase sujeto a él.

1. Retire toda carga del anticaídas.
2. Tire de la perilla de cambio y manténgala en la posición de desbloqueo.
3. Tire del brazo de la manivela hacia afuera para desacoplar y suelte la perilla de cambio.
4. Tire de la manivela de recuperación y gire 180° hacia el cuerpo del SRD hasta la posición de almacenamiento.

**5.0 INSPECCIÓN**

Cuando el equipo se haya retirado del servicio, no podrá volver a ponerse en servicio hasta que una persona cualificada confirme por escrito que es aceptable hacerlo.

- 5.1 FRECUENCIA DE INSPECCIÓN:** El producto debe ser revisado por el usuario antes de cada uso y, además, por una persona competente que no sea el usuario en intervalos no superiores a un año. Si el equipo se utilizar con mayor frecuencia y este se usa en condiciones más duras, puede ser necesario aumentar la frecuencia de las inspecciones de la persona competente. La frecuencia de estas inspecciones debe ser determinada por la persona competente según las condiciones específicas del lugar de trabajo.
- 5.2 PROCEDIMIENTOS DE INSPECCIÓN:** Inspeccione el producto según los procedimientos definidos en "Registro de inspección y mantenimiento". El propietario de este equipo debe conservar la documentación de cada inspección. Se debe colocar un registro de inspección y mantenimiento cerca del producto o en otro punto que sea de fácil acceso para los usuarios. Se recomienda que este producto esté marcado con la fecha de la próxima o última inspección.
- 5.3 DEFECTOS:** Si el producto no se puede poner en servicio de nuevo debido a un defecto existente o falta de seguridad, debe destruirse o enviarse a 3M o un centro de servicio autorizado por 3M para su reparación o sustitución.
- 5.4 VIDA ÚTIL DEL PRODUCTO:** La vida útil del producto depende de las condiciones de trabajo y mantenimiento. El producto puede seguir utilizándose siempre que cumpla con los criterios de inspección.

**6.0 MANTENIMIENTO, REPARACIONES Y ALMACENAMIENTO**

Cuando un equipo precise mantenimiento o esté programado para el mismo debe estar etiquetado como «NO UTILIZAR». Estas etiquetas de equipo no se deben quitar hasta que se realice el mantenimiento.

- 6.1 LIMPIEZA:** a continuación se detallan los procedimientos de limpieza de los dispositivos autorretráctiles:
  - Limpie periódicamente el exterior del SRD con agua y una solución jabonosa suave. Coloque el SRD de modo que se drene fácilmente el exceso de agua. Limpie las etiquetas cuando sea necesario.
  - Limpie el anticaídas con agua y una solución jabonosa suave. Enjuague y seque completamente al aire. No acelere el secado con calor. La acumulación excesiva de suciedad, pintura, etc., podría impedir la retracción completa del anticaídas dentro de la carcasa, y así ocasionar un riesgo de caída libre. Sustituya el anticaídas si hay presente suciedad excesiva.
- 6.2 SERVICIO:** solo un centro de servicio autorizado debe llevar a cabo los procedimientos adicionales de mantenimiento y reparación. No intente desmontar el SRD ni lubricar sus piezas.
- 6.3 ALMACENAMIENTO Y TRANSPORTE:** transporte y almacene el dispositivo autorretráctil en un lugar fresco, seco y limpio, alejado de la luz solar directa. Evite las zonas donde pueda haber vapores químicos. Inspeccione cuidadosamente los SRD después de cualquier período de almacenamiento prolongado.

**7.0 ETIQUETAS**

La Figura 19 muestra las etiquetas de los dispositivos autorretráctiles Rebel y sus ubicaciones. Todas las etiquetas de los SRD deben estar presentes. Si las etiquetas no son totalmente legibles, deben sustituirse. La información de las etiquetas es la siguiente:

(A)	1) Inspeccione el mosquetón con cierre automático y el indicador de impacto. 2) Inspeccione el mecanismo de bloqueo del SRD. 3) Conecte el anticaídas del SRD al enganche del arnés dorsal de espalda. 4) Solo para aplicaciones verticales. No ancle nunca el SRD por debajo del punto de enganche del arnés dorsal de espalda. 4A) Para nivelar el anclaje a ras de o por debajo del accesorio del enganche del arnés dorsal de espalda, es necesario un SRD-LE con borde abierto. 4B) Solo para aplicaciones verticales. No ancle nunca el SRD por debajo del punto de enganche del arnés dorsal de espalda. 5) Rango de temperatura: -40 °C-60 °C. 6) Capacidad máxima: 140 kg. 7) Controle el plegado del anticaídas en el SRD. No permita nunca que el anticaídas se repliegue sin control. 8) Trabaje directamente por debajo del anclaje del SRD para minimizar la oscilación de la caída. 6) No lo repare. El mantenimiento y reparación de este producto debe realizarlo un centro de servicio autorizado. 10) Guarde los SRD en un lugar fresco, seco y limpio, sin exponerlo directamente a la luz solar. 11) No cargue la carcasa del SRD sobre un borde. 12) No quite las etiquetas. 13) Lea todas las instrucciones. 14) ID del organismo notificado. 15) Mes de la próxima inspección. 16) Año de la próxima inspección. 17) Año y mes de fabricación. 18) Número de lote. 19) Número de modelo. 20) Longitud del anticaídas. 21) Número de serie.
(B)	Gire el brazo de la manivela en el sentido de las agujas del reloj para bajar el anticaídas. Gire el brazo de la manivela en el sentido contrario a las agujas del reloj para subir el anticaídas.
(C)	1) Tire hacia afuera de la manivela de recuperación. 2) Pliegue la manivela de recuperación del cuerpo del SRD-R. 3) Tire de la perilla de cambio y manténgala. 4) Presione hacia adentro y gire el brazo de la manivela ligeramente en el sentido de las agujas del reloj. 5) Suelte la perilla de cambio.

**Tabla 3 – Registro de inspección y mantenimiento**

Números de serie:		Fecha de compra:	
Número de modelo:		Fecha del primer uso:	
Inspeccionado por:		Fecha de la inspección:	
Componente:	Inspección:	Usuario	Persona competente
SRD (Figura 13)	Inspeccione para confirmar si hay pernos sueltos y piezas dobladas o dañadas.	<input type="checkbox"/>	<input type="checkbox"/>
	Inspeccione la carcasa (A) para comprobar que no haya ninguna deformación o fisura u otros desperfectos.	<input type="checkbox"/>	<input type="checkbox"/>
	Inspeccione el cáncamo giratorio (B) para comprobar que no haya ninguna deformación o fisura u otros desperfectos. El cáncamo giratorio debe estar sujeto de forma segura al SRD, pero debe poder girar libremente.	<input type="checkbox"/>	<input type="checkbox"/>
	El anticaídas (C) se debe extraer y retraer por completo sin vacilar y sin que el cabo quede flojo.	<input type="checkbox"/>	<input type="checkbox"/>
	Asegúrese de que el dispositivo se bloquea cuando se tira del cabo anticaídas de manera brusca. El bloqueo debe ser seguro y sin deslizamiento.	<input type="checkbox"/>	<input type="checkbox"/>
	Todas las etiquetas deben estar presentes y ser completamente legibles (Consulte la Figura 19).	<input type="checkbox"/>	<input type="checkbox"/>
	Revise si la unidad presenta señales de corrosión.	<input type="checkbox"/>	<input type="checkbox"/>
Mosquetón con cierre automático giratorio e indicador de impacto (Figura 14)	Inspeccione el mosquetón con cierre automático giratorio para comprobar si presenta señales de daño o corrosión y si funciona correctamente. La pieza giratoria debe girar libremente. Inspeccione el indicador de impacto. Si se ve la banda roja (modo indicado), se ha producido una carga de impacto y el SRD debe retirarse de servicio e inspeccionarse. No intente restablecer el indicador de impacto. Envíe el SRD a un centro de servicio técnico autorizado para que lo restablezca. NOTA: Si el indicador de impacto está en el modo indicado, el cáncamo giratorio no girará libremente.	<input type="checkbox"/>	<input type="checkbox"/>
Cabo anticaídas de cable metálico (Figura 15)	Inspeccione el cabo anticaídas para comprobar si hay cortes, dobleces (A), hilos rotos (B), arqueamiento (C), corrosión, salpicaduras de soldadura (D), áreas de contacto con productos químicos o áreas de abrasión grave. Deslice el tope del cable (E) hacia arriba e inspeccione los casquillos (F) para comprobar si hay fisuras o daños y examine el cable metálico para verificar si presenta señales de corrosión o tiene hilos rotos. sustituya la unidad del cable metálico si hay seis o más cables rotos distribuidos aleatoriamente en un trenzado, o tres o más cables rotos en una hebra de un trenzado. Un "trenzado" de un cable metálico es la longitud de cable necesaria para que una hebra (o grupos más grandes de hilos) complete una revolución o vuelta a lo largo del cable. Sustituya la unidad del cable metálico si hay cables rotos a menos de 25 mm (1 in) de los casquillos.	<input type="checkbox"/>	<input type="checkbox"/>
Anticaídas de reserva (Figura 16)	Inspeccione la salida del anticaídas de reserva. Si se empleó la mayor parte del anticaídas para detener una caída, puede haberse desplegado el anticaídas de reserva. Extienda toda la unidad SRD hasta el tope. Si se ve una banda roja (G), el anticaídas de reserva se ha desplegado y la unidad deberá repararse en un centro de servicio técnico autorizado antes de volver a utilizarse.	<input type="checkbox"/>	<input type="checkbox"/>
Absorbedor de energía del SRD-LE (Figura 17)	En los dispositivos autorretráctiles con borde abierto (SRD-LE), compruebe que el absorbedor de energía integral no se haya activado. No debe haber tejido saliendo por la cubierta (A). La cubierta debe estar bien sujeta y no debe presentar rasgaduras (B) ni daños.	<input type="checkbox"/>	<input type="checkbox"/>
Manivela manual de rescate integral de recuperación (Figura 18)	Inspeccione el brazo de la manivela (A) para comprobar que no haya ninguna deformación u otros desperfectos. Asegúrese de que el mango de recuperación (B) pueda plegarse y ajustarse en la posición de manivela.	<input type="checkbox"/>	<input type="checkbox"/>
	Asegúrese de que la perilla de cambio de recuperación (C) pueda sacarse hasta la posición de desbloqueo y luego liberarse, bloqueando el brazo de la manivela en las posiciones acoplada y desacoplada.	<input type="checkbox"/>	<input type="checkbox"/>
	Compruebe que la recuperación funcione correctamente levantando y bajando un peso de prueba de al menos 34 kg (75 lb). Cuando se libere el mango de recuperación, el peso no debe moverse y el mango de recuperación debe permanecer en su sitio (sin moverse). Debería escucharse un sonido de "chasquido" cuando se eleve la carga.	<input type="checkbox"/>	<input type="checkbox"/>
<b>Acción correctora/mantenimiento:</b>	Aprobado por:	Fecha de la próxima inspección:	
	Fecha:		
<b>Acción correctora/mantenimiento:</b>	Aprobado por:	Fecha de la próxima inspección:	
	Fecha:		
<b>Acción correctora/mantenimiento:</b>	Aprobado por:	Fecha de la próxima inspección:	
	Fecha:		
<b>Acción correctora/mantenimiento:</b>	Aprobado por:	Fecha de la próxima inspección:	
	Fecha:		
<b>Acción correctora/mantenimiento:</b>	Aprobado por:	Fecha de la próxima inspección:	
	Fecha:		
<b>Acción correctora/mantenimiento:</b>	Aprobado por:	Fecha de la próxima inspección:	
	Fecha:		

Ennen kuin käytät tuotetta, lue ja sisäistä kaikki näissä ohjeissa olevat turvallisuustiedot ja noudata niitä. EDELLÄ MAINITUN LAIMINLYÖNTI VOI JOHTAA VAKAAN LOUKKAANTUMISEEN TAI KUOLEMAAN.

Nämä ohjeet tulee antaa näiden varusteiden käyttäjälle. Säilytä nämä ohjeet myöhempää tarvetta varten.

## Käyttötarkoitus:

Tätä tuotetta käytetään osana täydellistä putoamissuojajärjestelmää.

Käyttö muihin tarkoituksiin, kuten materiaalien käsittelyyn, virkistys- tai urheilutoimintaan tai muuhun sellaiseen toimintaan, jota ei näissä ohjeissa kuvata, ei ole 3M:n hyväksymää ja saattaa johtaa vakavaan loukkaantumiseen tai kuolemaan.

Tätä tuotetta voivat käyttää ainoastaan koulutetut käyttäjät työskentelytarkoituksiin.

## VAROITUS

Tätä tuotetta käytetään osana täydellistä putoamissuojajärjestelmää. Kaikkien käyttäjien on oltava täysin koulutettuja täydellisen putoamissuojajärjestelmänsä turvalliseen asentamiseen ja käyttöön. **Tämän tuotteen väärinkäyttö saattaa johtaa vakavaan loukkaantumiseen tai kuolemaan.** Oikeaa valintaa, käyttöä, asennusta ja huoltoa koskevat ohjeet löytyvät kaikista käyttöohjeista ja valmistajan suosituksista. Lisätietoja saat esimieheltäsi tai ottamalla yhteyttä 3M:n teknisiin palveluihin.

### • Itsekelaavan laitteen käyttöön liittyviä, mahdollisesti vakavan loukkaantumisen tai kuoleman aiheuttavia riskejä voidaan vähentää seuraavin tavoin:

- Tarkasta tuote ennen jokaista käyttöä ja putoamisen jälkeen näissä ohjeissa annettujen ohjeiden mukaisesti.
- Jos tarkastuksessa ilmenee jokin vaaratekijä tai vika, tulee tuote poistaa käytöstä välittömästi ja siihen tulee kiinnittää selkeä merkintä "ÄLÄ KÄYTÄ". Tuhoa tai korjaa tuote näiden ohjeiden mukaisesti.
- Kaikki tuotteet, joita on käytetty putoamisen pysäyttämiseen tai joihin on kohdistunut putoamiseneston iskuvoima, on välittömästi poistettava käytöstä. Tuhoa tai korjaa tuote näiden ohjeiden mukaisesti.
- Varmista, että eri valmistajien valmistamista osista kootut putoamissuojajärjestelmät ovat yhteensopivia ja täyttävät kaikki sovellettavat putoamissuojausmääräykset, standardit tai vaatimukset. Ennen näiden järjestelmien käyttöä tulee aina kääntyä pätevän tai asianmukaisesti koulutetun henkilön puoleen.
- Varmista, että turvaköysi pysyy vapaana kaikista vaaroista, mukaan lukien muun muassa seuraavat: takertuminen käyttäjiin, muihin työntekijöihin, liikkuviin koneisiin, muihin ympäröiviin esineisiin tai törmäys ilmassa oleviin esineisiin, jotka voivat pudota turvaköydelle tai käyttäjien päälle.
- Älä kiinnitä, solmi, sido tai päästä turvaköyttä löysälle.
- Vältä kompastumisvaaraa turvaköyden tukiosien kanssa. Jos autossa on turvaköysi, kiinnitä sen käyttämättömät tukiosat köysipysäkönnin kiinnityselementteihin.
- Älä ylitä näissä ohjeissa määritettyä käyttäjien sallittua enimmäislukumäärää.
- Älä käytä kohteissa, joissa putoamisreitti ei ole esteetön. SRD:n lukitseminen edellyttää selkeää polkua. Hitaasti liikkuvien materiaalien (esim. hiekan tai viljan) päällä työskentely tai ahtaissa tai kapeissa tiloissa työskentely ei ehkä salli riittävää nopeutta itsekelaavan laitteen lukittumiseksi.
- Vältä äkkinäisiä tai nopeita liikkeitä työn aikana, koska tämä voi aiheuttaa SRD:n tahattoman lukkiutumisen.
- Ole varovainen asentessasi, käyttäessäsi ja siirtäessäsi tuotetta, sillä liikkuvat osat voivat aiheuttaa puristumisvaaroja.
- Käytä asianmukaista reunasuojauksia, kun turvaköysi voi koskettaa teräviä reunoja tai hankaavia pintoja.
- Poista tuote välittömästi käytöstä, jos sitä on käytetty laskussa.
- Varmista ennen käyttöä, että laskeutumislaitteen ja laskeutumislaitteen päälle putoavia materiaaleja ei ole esteitä tai vaaroja.
- Varmista, että tuote on määritetty ja asennettu oikein turvallisen käytön varmistamiseksi näissä ohjeissa kuvatulla tavalla.

### • Korkealla työskentelyyn liittyviä, mahdollisesti vakavan loukkaantumisen tai kuoleman aiheuttavia riskejä voidaan vähentää seuraavin tavoin:

- Terveytesi ja fyysisen kuntosi on annettava sinulle mahdollisuus työskennellä turvallisesti korkealla ja kestää kaikki putoamisen pysäyttämiseen liittyvät voimat. Keskustele lääkärisi kanssa, mikäli sinulla on kysyttävää näiden laitteiden käyttöön liittyvistä valmiuksistasi.
- Älä koskaan ylitä putoamisenestolaitteiden sallittua kapasiteettia.
- Älä koskaan ylitä putoamisenestolaitteiden vapaan pudotuksen enimmäisetäisyyttä.
- Älä käytä putoamissuojaimia, jos ne eivät läpäise tarkastusta tai jos olet huolissasi niiden käytöstä tai sopivuudesta. Jos sinulla on kysyttävää, ota yhteyttä 3M:n tekniseen palveluun.
- Jotkin lisäjärjestelmä- ja osayhdistelmät saattavat häiritä tämän varusteen toimintaa. Käytä vain yhteensopivia liitäntöjä. Ota yhteyttä 3M:n tekniseen palveluun ennen tämän laitteen käyttöä yhdessä sellaisten osien tai lisäjärjestelmien kanssa, joita ei kuvata näissä ohjeissa.
- Ylimääräisiä varotoimenpiteitä tulee ottaa käyttöön työskennellessä liikkuvien laitteiden, sähkövaarojen, korkeiden lämpötilojen, kemiallisten vaarojen, räjähtävien tai myrkyllisten kaasujen tai terävien reunojen ja hankaavien pintojen läheisyydessä tai mikäli käyttäjän yläpuolella on mahdollisesti hänen päälleen tai putoamisenestolaitteen päälle putoavia materiaaleja.
- Varmista, että tuotteesi käyttö on arvioitu työympäristösi vaarojen mukaan.
- Varmista, että korkealla työskennellessä käytössä on riittävä putoamissuojaus.
- Älä koskaan muokkaa tai muuta putoamisenestolaitetta. Vain 3M tai sen kirjallisesti valtuuttamat henkilöt saavat tehdä korjauksia 3M:n laitteeseen.
- Varmista ennen putoamissuojainten käyttöä, että käytössä on kirjallinen pelastussuunnitelma, joka mahdollistaa nopean pelastuksen putoamisvaaratilanteessa.
- Jos putoamistapaturma tapahtuu, hae välittömästi lääkinnällistä apua pudonneelle työntekijälle.
- Käytä kokovartalovaljaita vain putoamisenestojärjestelmissä. Älä käytä turvavyötä.
- Minimoi heilahtavan putoamisen mahdollisuus työskentelemällä mahdollisimman suoraan kiinnityspisteen alla.
- Toissijaista putoamissuojajärjestelmää on käytettävä, kun harjoitellaan tällä tuotteella. Harjoittelijat eivät saa altistua tahattomalle putoamisvaaralle.
- Tuotetta asennettaessa, käytettäessä tai tarkastettaessa tulee aina käyttää asianmukaisia henkilönsuojaimia.
- Älä koskaan työskentele riippuvan kuorman tai työntekijän alapuolella.
- Säilytä aina 100 %:n kiinnitys.

Merkitse ennen tämän tuotteen käyttöä tuotteen tunnistustiedot sen tunnusmerkinnästä tämän käyttöoppaan takana olevaan tarkastus- ja kunnossapitolokiin.

Varmista aina, että käytössä on viimeisin versio 3M-käyttöoppaasta. Päivitetyt käyttöoppaan saa 3M-verkkosivustosta tai ottamalla yhteyden 3M:n teknisiin palveluihin.


## KUVAUS:


Kuvassa 2 näkyvät itsekelautuvien Protecta Rebel -turvalaitteiden (SRD) tärkeimmät osat. Itsekelautuvat Rebel-turvalaitteet ovat turvavaijereita (A), jotka kelautuvat termoplastiseen tai alumiiniseen koteloon (B). Ne voidaan ripustaa kiinnitykseen karbiinilla, joka on kiinnitetty itsekelautuvan laitteen päällä olevaan leikariin (C). Turvavaijerin päässä oleva automaattisesti lukittuva jousihaka (D) kiinnittyy kokovartalovaljaiden putoamisenpysäytyksen liittämään. Puskuri (E) suojaa vaijeria ja holkkeja suojaen jousihakaa hankaukselta ja korroosiolta.

Kuvassa 1 näkyy, mitä itsekelautuvia Rebel-malleja tämä käyttöopas koskee. Saatavilla on seuraavia itsekelautuvan laitteen tyyppejä:

- **Itsekelautuva laite (kuva 2A):** Itsekelautuvat laitteet soveltuvat sellaisiin käyttötarkoituksiin, joissa turvaköysi pysyy yleensä pystysuorassa käytön aikana ja mahdollinen vapaa pudotus on rajoitettu enintään 0,6 metriin.
- **Reunojen läheisyydessä tapahtuvaan käyttöön soveltuva itsekelautuva laite (kuva 2B):** Reunojen läheisyydessä tapahtuvaan käyttöön soveltuvat itsekelautuvat laitteet sopivat sellaisiin käyttötarkoituksiin, joissa turvaköysi pysyy yleensä vaakasuorassa käytön aikana ja mahdollinen vapaa pudotus on rajoitettu enintään 1,5 metriin. Reunojen läheisyydessä tapahtuvaan käyttöön soveltuvissa itsekelautuvissa laitteissa on kiinteä nykäyksenvaimennin tai vastaava komponentti, joka kestää turvaköyden kuormituksen terävää tai hiertävää reunaa vasten putoamis pysähdysten aikana ja vähentää käyttäjään kohdistuvan putoamisen iskuvoimaa.
- **Itsekelautuva laite pelastusvälineellä (kuva 2C):** Itsekelautuvat laitteet pelastusvälineellä sisältävät integroidun välineen avustettuun pelastukseen, jonka avulla pelastuskohdetta voi nostaa tai laskea. Näissä itsekelautuvissa laitteissa on kolmisuuntainen pelastuskäsikampi (G). Joissakin malleissa voi olla kolmijalan asennuskiinnike (H) pelastusvälineen sisältävän itsekelautuvan laitteen asentamiseksi kolmijalan jalkaan ahtaassa tilassa tapahtuvaa käyttöä varten.

**Taulukko 1 – Tekniset tiedot**

 Kotelon puoliskot	Materiaali
9508320 + 9520047	Alumiini – 15 m Itsekelautuvat laitteet pelastusvälineellä
9511070 + 9511071	Termoplastinen – 6 m Itsekelautuvat laitteet, 10 m Itsekelautuvat laitteet ja 6 m Reunojen läheisyydessä tapahtuvaan käyttöön soveltuvat itsekelautuvat laitteet
9520021 + 9520022	Alumiini – 6 m ja 10 m Itsekelautuvat laitteet
9520044 + 9520045	Termoplastinen – 15 m Itsekelautuvat laitteet ja 10 m Reunojen läheisyydessä tapahtuvaan käyttöön soveltuvat itsekelautuvat laitteet
9520046 + 9520047	Alumiini – 15 m Itsekelautuvat laitteet
9520056 + 9520057	Termoplastinen – 20 m, 25 m, 30 m Itsekelautuvat laitteet
9520058 + 9520059	Alumiini – 20 m, 25 m ja 30 m Itsekelautuvat laitteet

 Pelastusköysi	Kuvaus	Haka
9501087 + 2000175	5,56 mm, sinkitty teräsvaijeri, itselukkiutuva, kääntyvä seosteräs jousihaka ilmaisimella.	2000175
9501479 + 2000175	4,76 mm, sinkitty teräsvaijeri, itselukkiutuva, kääntyvä seosteräs jousihaka ilmaisimella.	2000175
9501613 + 2000170	4,76 mm, ruostumaton teräsvaijeri, ruostumattomasta teräksestä tehty itselukkiutuva, kääntyvä karbiinihaka ilmaisimella.	2000170
9501613 + 2000175	4,76 mm, ruostumaton teräsvaijeri, itselukkiutuva, kääntyvä seosteräs jousihaka ilmaisimella.	2000175
9501613 + 2100044	4,76 mm, ruostumaton teräsvaijeri, ruostumattomasta teräksestä tehty itselukkiutuva, kääntyvä jousihaka ilmaisimella.	2100044

Haka	Kuvaus	Materiaali	Kidan lujuus	Kavennuksen koko
2000170	Itselukkiutuva kääntyvä karbiini kuormituksen ilmaisimella	Ruostumaton teräs	16 kN (3 600 lbf)	1,9 cm
2000175	Itselukkiutuva kääntyvä jousihaka kuormituksen ilmaisimella	Sinkitty teräs	16 kN (3 600 lbf)	1,9 cm
2100044	Itselukkiutuva kääntyvä jousihaka kuormituksen ilmaisimella	Ruostumaton teräs	16 kN (3 600 lbf)	1,9 cm

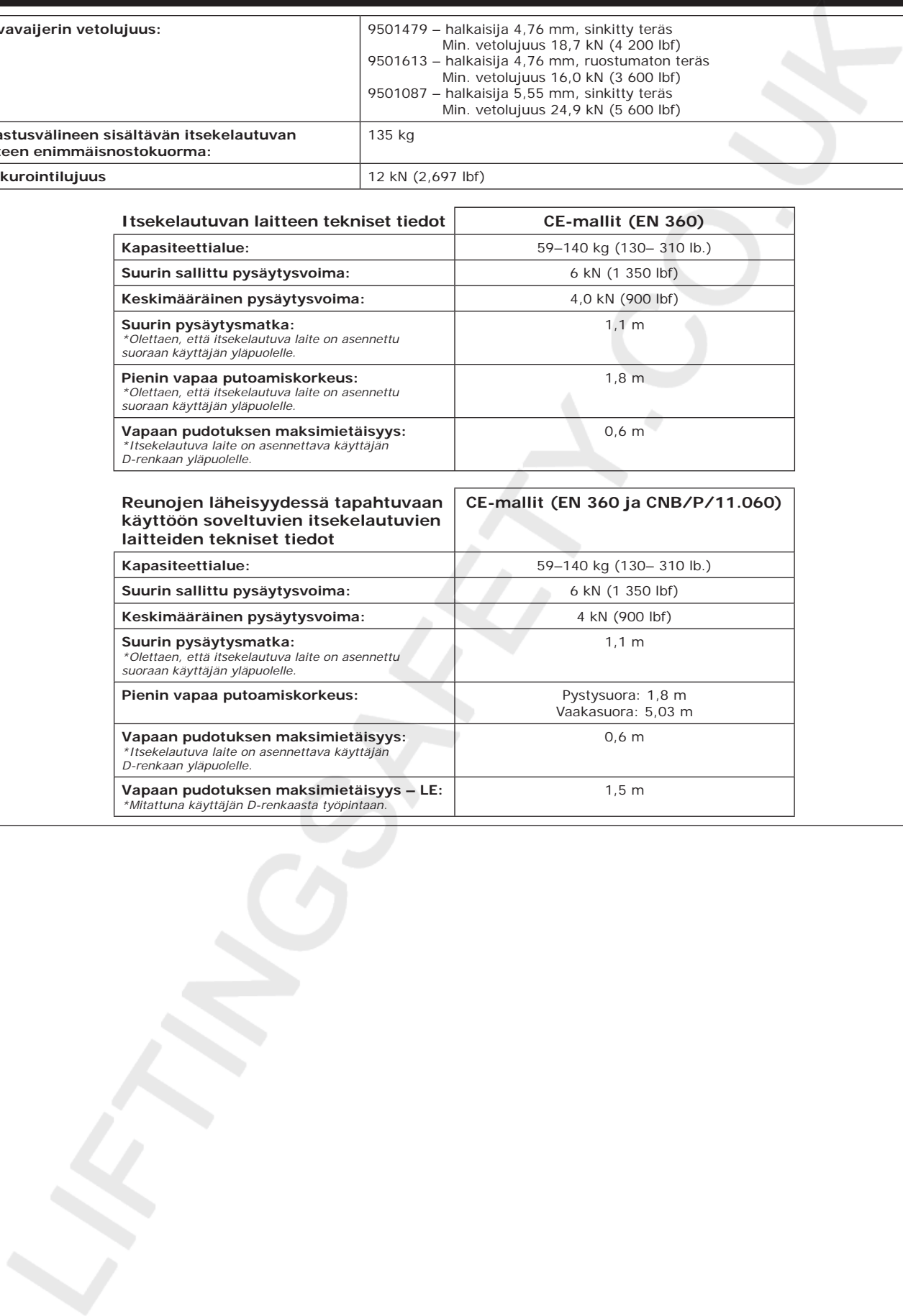


## Taulukko 1 – Tekniset tiedot

<b>Turvavaijerin vetolujuus:</b>	9501479 – halkaisija 4,76 mm, sinkitty teräs Min. vetolujuus 18,7 kN (4 200 lbf) 9501613 – halkaisija 4,76 mm, ruostumaton teräs Min. vetolujuus 16,0 kN (3 600 lbf) 9501087 – halkaisija 5,55 mm, sinkitty teräs Min. vetolujuus 24,9 kN (5 600 lbf)
<b>Pelastusvälineen sisältävän itsekelautuvan laitteen enimmäisnostokuorma:</b>	135 kg
<b>Ankkurointilujuus</b>	12 kN (2,697 lbf)

<b>Itsekelautuvan laitteen tekniset tiedot</b>	<b>CE-mallit (EN 360)</b>
<b>Kapasiteettialue:</b>	59–140 kg (130– 310 lb.)
<b>Suurin sallittu pysäytysvoima:</b>	6 kN (1 350 lbf)
<b>Keskimääräinen pysäytysvoima:</b>	4,0 kN (900 lbf)
<b>Suurin pysäytysmatka:</b> <i>*Olettaen, että itsekelautuva laite on asennettu suoraan käyttäjän yläpuolelle.</i>	1,1 m
<b>Pienin vapaa putoamiskorkeus:</b> <i>*Olettaen, että itsekelautuva laite on asennettu suoraan käyttäjän yläpuolelle.</i>	1,8 m
<b>Vapaan pudotuksen maksimietäisyys:</b> <i>*Itsekelautuva laite on asennettava käyttäjän D-renkaan yläpuolelle.</i>	0,6 m

<b>Reunojen läheisyydessä tapahtuvaan käyttöön soveltuvien itsekelautuvien laitteiden tekniset tiedot</b>	<b>CE-mallit (EN 360 ja CNB/P/11.060)</b>
<b>Kapasiteettialue:</b>	59–140 kg (130– 310 lb.)
<b>Suurin sallittu pysäytysvoima:</b>	6 kN (1 350 lbf)
<b>Keskimääräinen pysäytysvoima:</b>	4 kN (900 lbf)
<b>Suurin pysäytysmatka:</b> <i>*Olettaen, että itsekelautuva laite on asennettu suoraan käyttäjän yläpuolelle.</i>	1,1 m
<b>Pienin vapaa putoamiskorkeus:</b>	Pystysuora: 1,8 m Vaakasuora: 5,03 m
<b>Vapaan pudotuksen maksimietäisyys:</b> <i>*Itsekelautuva laite on asennettava käyttäjän D-renkaan yläpuolelle.</i>	0,6 m
<b>Vapaan pudotuksen maksimietäisyys – LE:</b> <i>*Mitattuna käyttäjän D-renkaasta työpintaan.</i>	1,5 m



## 1.0 KÄYTTÖTARKOITUKSET

- 1.1 TARKOITUS:** 3M itsekelautuvat laitteet (SRD) on suunniteltu henkilökohtaisten putoamisenestojärjestelmien (PFAS) komponentiksi. Kuvassa 1 esitetään, mitä itsekelautuvia laitteita tämä käyttöopas koskee, ja niiden tyypilliset käyttökohteet. Niitä voidaan käyttää useimmissa tilanteissa, joissa työntekijän kyky liikkua ja putoamisenesto ovat tarpeen (ts. tarkastukset, yleiset rakennustyöt, huoltotyöt, öljyntuotanto, ahtaat työtilat jne.).
- 1.2 STANDARDIT:** Itsekelautuva laite täyttää ne maan ja alueen standardit, jotka on merkitty näiden ohjeiden etukanteen. Jos tätä tuotetta jälleenmyydään alkuperäisen kohdemaan ulkopuolella, jälleenmyyjän on toimitettava nämä ohjeet tuotetta käyttävän maan omalla kielellä.
- 1.3 KOULUTUS:** Näiden varusteiden asentajien ja käyttäjien tulee olla koulutettuja varusteiden oikeaan käyttöön. Käyttäjän vastuulla on tutustua näihin ohjeisiin ja varmistaa, että hän on saanut koulutuksen varusteiden oikeaan huoltoon ja käyttöön. Käyttäjän tulee myös olla tietoinen näiden varusteiden ominaisuuksista, käyttörajoituksista ja virheellisen käytön seurauksista.
- 1.4 RAJOITUKSET:** Seuraavat rajoitukset ja vaatimukset on aina huomioitava laitteen asennuksessa ja käytössä:

- **Kapasiteetti:** Tämä itsekelautuva laite on testattu yhden hengen käytössä hänen kokonaispainonsa (vaatetus, työkalut yms.) ollessa 59–140 kg (130–310 lbs).<sup>1</sup> Varmista, että järjestelmän kaikki komponentit on luokiteltu käyttökohteeseen sopivan kapasiteetin mukaisesti.
- **Kiinnitys:** Kiinnitysvaatimukset vaihtelevat käytettävän putoamissuojaimen mukaan. Rakenteen, johon ankkurointikiinnike sijoitetaan tai kiinnitetään tulee vastata taulukossa 1 esitettyjä kiinnitysvaatimuksia.
- **Lukitusnopeus:** Vältä tilanteita, joissa esteetön putoaminen ei ole mahdollista. Työskentely ahtaissa tai kapeissa tiloissa saattaa estää kehoa saavuttamasta riittävää putoamisnopeutta itsekelautuvan laitteen lukittumiselle putoamistilanteessa. Hiekan tai viljan kaltaisten hitaasti liikkuvien materiaalien päällä työskentely ei välttämättä salli riittävää nopeutta itsekelautuvan laitteen lukittumiseksi. Itsekelautuva laite vaatii lukkiutuakseen esteettömän väylän.
- **Vapaa pudotus:** Itsekelautuvan laitteen asianmukainen käyttö korkealle kiinnitettävissä käyttökohteissa vähentää vapaan pudotuksen matkaa. Vapaan pudotuksen matkan pidentyminen estetään noudattamalla alla olevia ohjeita:
  - Turvaköyteen ei saa koskaan kiinnittää pidikkeitä eikä sitä saa koskaan solmia tai muulla tavoin estää palautumasta tai pysymästä kireänä.
  - Itsekelautuvan laitteen turvaköyden löystymistä tulee välttää.
  - Oman kiinnityspisteen tason yläpuolella ei saa työskennellä.
  - Älä pidennä itsekelautuvaa SRL-turvaköyttä liittämällä siihen köyttä tai muuta vastaavaa komponenttia ottamatta ensin yhteyttä 3M:ään.

Vapaa pudotukseen sekä esteettömän putoamiskorkeuden arvoihin liittyvät tuotekohtaiset arvot löytyvät näiden ohjeiden taulukosta 1.

- **Heilahtavat putoamiset:** Heilahtava putoaminen aiheutuu siitä, että kiinnityspiste ei ole suoraan putoamispisteen yläpuolella. Heilahtavassa putoamisessa kappaleisiin iskeytymisestä aiheutuva voima voi aiheuttaa vakavan vamman (katso kuva 3A). Minimoi heilahtavan putoamisen mahdollisuus työskentelemällä niin suoraan kiinnityspisteen alla kuin mahdollista (kuva 3B). Työskentely muualla kuin kiinnityspisteen kohdalla (kuva 3C) lisää heilahtavan putoamisen vaikutusta ja kasvattaa vaadittua esteetöntä putoamiskorkeutta.
- **Vapaa putoamiskorkeus:** Kuvassa 3B esitetään esteettömän putoamiskorkeuden laskenta. Esteetön putoamiskorkeus (Fall Clearance, FC) on vapaan pudotuksen (Free Fall, FF), hidastusetaisyyden (Deceleration Distance, DD) sekä turvallisuustekijän (Safety Factor, SF) summa:  $FC = FF + DD + SF$ . D-renkaan liukuminen ja valjaiden venyminen sisältyvät turvallisuustekijään. Esteettömän putoamiskorkeuden arvot on laskettu ja esitetään kaaviona kuvassa 4. Kaikille arvoille on käytetty 1 m:n (3,28 jalkaa) turvallisuustekijää kuvassa 4. Kuvissa 3B ja 3C esitetään vapaa putoamiskorkeus. Jos mahdollinen putoaminen tapahtuu seisovasta asennosta, ja itsekelautuva laite on kiinnitetty suoraan käyttäjän yläpuolelle (kuva 3B), itsekelautuvan laitteen putoamissuojausjärjestelmän pienimmän esteettömän putoamiskorkeuden on oltava taulukon 1 mukainen. Polvistuneesta tai kyyryasennosta tapahtuneelle putoamiselle vaaditaan 1 metriä (3 jalkaa) pitempi vapaa putoamiskorkeus. Putoamiskeinahdustilanteessa (kuva 3C) käyttäjän pystysuora kokonaisputoamismatka on suurempi kuin se olisi, jos käyttäjä putoaisi suoraan kiinnityspisteen alapuolelle, ja saattaa edellyttää suurempaa vapaata putoamiskorkeutta. Kuvassa 4 ja oheisessa taulukossa määritetään suurin työsäde (C) itsekelautuvan laitteen eri kiinnityskorkeuksille (A) ja vapaille putoamiskorkeuksille. Suositeltu työalue rajoittuu suurimman työsäteen sisäpuoliseen alueeseen.
- **Vaaratekijät:** Näiden varusteiden käyttö vaarallisissa ympäristöissä saattaa vaatia ylimääräisiä varotoimia käyttäjän vammautumisen ja varusteiden vaurioitumisen estämiseksi. Vaaratekijöitä voivat olla muun muassa korkea lämpötila, syövyttävät kemikaalit tai ympäristöt, korkeajännitelinjat, räjähdysalttiit tai myrkylliset kaasut, liikkuvat koneet ja yläpuolella olevat materiaalit, jotka voivat pudota ja osua käyttäjään tai putoamisenestojärjestelmään. Vältä työskentelyä paikoissa, joissa turvaköysi voi mennä ristiin toisen työntekijän turvavarusteiden kanssa. Vältä työskentelyä paikoissa, joissa putoavat esineet voivat osua turvaköyteen aiheuttaen tasapainon menetyksen tai vaurioittaen turvaköyttä. Turvaköysi ei saa kulkea käsivarsien alta tai jalkojen välistä.
- **Terävät reunat:** Vältä tämän laitteen käyttöä paikoissa, joissa ne voivat päästä kosketuksiin suojaamattomien terävien reunojen kanssa tai hangata niitä vasten. Jos kontaktia teräviin reunoihin ei voi välttää, peitä reunat suojaavalla materiaalilla.

## 2.0 KÄYTTÖ

- 1 Kapasiteetti:** Kolmisuuntaisella nostotoiminnolla varustettujen itsekelautuvien laitteiden enimmäisnostokuormituksen luokitus on 135 kg (298 lbs).

- 2.1 PELASTUSSUUNNITELMA:** Kun laitetta käytetään, työnantajalla on oltava pelastussuunnitelma ja käytettävissä olevat keinot sen toteuttamiseksi sekä suunnitelman tiedottamiseksi laitteen käyttäjille, valtuutetuille henkilöille ja pelastajille.
- 2.2 TARKASTUSVÄLIT:** Valtuutetun henkilön<sup>1</sup> tai pelastajan<sup>2</sup> on tarkastettava itsekelautuva laite ennen jokaista käyttökertaa (katso taulukko 2). Lisäksi muun pätevän henkilön<sup>3</sup> kuin käyttäjän on tarkastettava laite vähintään vuoden välein. Äärimmäiset työolosuhteet (vaativat ympäristöt, pitkäaikainen käyttö jne.) voivat vaatia tarkastusten suorittamista pätevän henkilön toimesta useammin. Tarkastustoimet on kuvattu kohdassa "Tarkastus- ja kunnossapitoloki" (taulukko 3). Pätevän henkilön suorittaman tarkastuksen tulokset tulee kirjata *Tarkastus- ja kunnossapitolokiin* tai tallentaa RFID-järjestelmään.
- 2.3 NORMAALI TOIMINTA:** Normaali toiminta sallii turvaköyden purkautua ja kelaautua takeltelematta ja ilman löysää, kun työntekijä liikkuu normaalinopeudella. Jos putoaminen tapahtuu, nopeuden tunnistava jarru aktivoituu pysäyttäen putoamisen ja vaimentaen suuren osan putoamisesta syntyvää voimaa. Normaalin työskentelyn aikana on vältettävä äkinäisiä liikkeitä, koska ne voivat saada itsekelautuvan laitteen lukkiutumaan. Laitteeseen on rakennettu varaturvaköydsijärjestelmä tai nykyksenvaimennin putoamisen iskuvoiman vähentämiseksi siltä varalta, että putoaminen tapahtuu turvaköyden liikevaran ääriarajoilla. Jos itsekelautuvaan laitteeseen on kohdistunut putoamisenestosta aiheutuvia voimia, poista se käytöstä, kiinnitä siihen merkintä "KÄYTTÖKELVOTON" ja tarkasta ja huolla se kappaleiden 5 ja 6 mukaisesti.
- 2.4 VARTALON TUKEMINEN:** Itsekelautuvan laitteen kanssa tulee käyttää kokovartalovaljaita. Valjaiden liitoskohdan on oltava käyttäjän painopisteen yläpuolella. Vartalovyön käyttö ei ole sallittua itsekelautuvan laitteen kanssa. Jos putoaminen tapahtuu vartalovyötä käytettäessä, se saattaa aiheuttaa tahattoman irtoamisen tai virheellisestä vartalon kannatuksesta johtuvan trauman.
- 2.5 OSIEN YHTEENSOPIVUUS:** Ellei toisin mainita, 3M:n laitteet on suunniteltu käytettäväksi ainoastaan 3M:n hyväksymien osien ja alajärjestelmien kanssa. Vaihto tai korvaaminen muilla kuin hyväksytyillä osilla tai alajärjestelmillä saattaa vaarantaa laitteiston yhteensopivuuden sekä vaikuttaa koko järjestelmän turvallisuuteen ja luotettavuuteen. Noudata henkilökohtaisen putoamisenestojärjestelmän komponenttien ja alijärjestelmien valmistajan ohjeita.
- 2.6 LIITTIMIEN YHTEENSOPIVUUS:** Liittimiä pidetään yhteensopivina liitettävien osien kanssa, kun ne on suunniteltu toimimaan yhdessä siten, että niiden koko ja muoto eivät aiheuta lukkomekanismien tahatonta aukeamista riippumatta niiden asennosta. Ota yhteyttä 3M:ään, jos sinulla on kysyttävää yhteensopivuudesta.
- Itsekelautuvan laitteen ripustamiseen käytettävien liittimien on täytettävä standardin EN362 vaatimukset. Liittimien tulee olla yhteensopivia ankkuroinnin ja muiden järjestelmän osien kanssa. Älä käytä yhteensopimattomia varusteita. Yhteensopimattomat liittimet saattavat irrota vahingossa (katso kuva 5). Liittimien on oltava kooltaan, muodoltaan ja vahvuudeltaan yhteensopivia. Itselukittuvat jousihaat ja karbiinit ovat pakollisia. Jos osa, johon jousihaka tai karbiinihaka kiinnitetään, on liian pieni tai epäsäännöllisen muotoinen, on mahdollista, että kiinnitetty osa kohdistaa voimaa jousihaan tai karbiinihaan lukitusosaan (A). Tämä voima saattaa aiheuttaa kidan avautumisen (B) ja päästää jousihaan tai karbiinihaan irtoamaan kiinnityspisteestä (C).
- 2.7 KYTKEMINEN:** Näiden varusteiden kanssa käytettävien jousihakojen ja karbiinihakojen tulee olla itselukittuvia. Varmista, että kaikki liittimet ovat yhteensopivia kooltaan, muodoltaan ja lujuudeltaan. Älä käytä yhteensopimattomia varusteita. Varmista, että kaikki liittimet ovat täysin suljettuja ja lukittuja. 3M:n liittimet (jousihaat ja karbiinit) on suunniteltu käytettäväksi vain kyseisten tuotteiden käyttöohjeissa kuvatulla tavalla. Kuvassa 6 näet esimerkkejä vääristä liittämisestä. Jousihakoja tai karabiineja ei saa kiinnittää:
- D-renkaaseen, johon on kiinnitetty toinen liitin
  - siten, että haan kita tai lukitusosa kuormittuu Isoleukaisia jousihakoja ei tule kiinnittää vakiokoon D-renkasiin tai vastaaviin osiin, jotka aiheuttavat kidan kuormittumista, jos haka tai D-rengas kääntyy tai pyörii, ellei jousihaassa ole 16 kN:n (3 600 lbs) kita. Tarkista jousihaassa oleva merkintä varmistaaksesi, että se sopii käyttötarkoitukseksi.
  - virheelliseen liitokseen, jossa jousihaan tai karbiinihaan ulospäin työntyvät osat tarttuvat ankkuriin ja joka ilman silmämääräistä tarkastusta näyttää täysin kiinnitetyltä ankkuripisteeseen
  - toisiinsa
  - suoraan punokseen tai köyteen tai ympärysköyteen (ellei sekä köyden että liittimen valmistajan ohjeissa nimenomaan sallita tällaista liitosta)
  - mihin tahansa esineeseen, joka on muodoltaan tai kooltaan sellainen, että jousihaka tai karbiini ei sulkeudu ja lukitu tai että se saattaisi irrota
  - siten, että liitin ei kuormitettuna pysty asettumaan oikein.

Taulukko 2 – Tarkastusaikataulu

Käytön tyyppi	Käyttötarkoituksesimerkit	Käyttöolosuhteet	Tarkastusväli
			Pätevä henkilö
Satunnaisesta kevyeen	Pelastus ja ahtaat tilat, tehdashuolto	Hyvät säilytysolosuhteet, sisäkäyttö tai satunnainen ulkokäyttö, huonelämpötila, puhtaat ympäristöt	Vuosittain
Kohtalaisesta vaativaan	Kuljetus, asuntorakentaminen, työkalut, varasto	Kohtalaiset säilytysolosuhteet, sisäkäyttö sekä laaja-alainen ulkokäyttö, kaikki lämpötilat, puhtaat tai polyiset ympäristöt	Puolivuosittaisesta vuosittaiseen
Vaativasta jatkuvaan	Kauppallinen rakentaminen, öljy ja kaasu, kaivostyö	Ankarat säilytysolosuhteet, pitkittynyt tai jatkuva ulkokäyttö, kaikki lämpötilat, likainen ympäristö	Neljännesvuosittaisesta puolivuositteiseen

**1 Valtuutettu henkilö:** Työnantajan määräämä henkilö, joka suorittaa tehtäviä sellaisessa paikassa, jossa henkilöt altistuvat putoamisvaaralle.

**2 Pelastaja:** Muu kuin pelastettava henkilö tai pelastettavat henkilöt, jotka avustavat pelastustyössä käyttäen pelastusjärjestelmää.

**3 Pätevä henkilö:** Työnantajan nimeämä henkilö, jonka vastuulla on työnantajan putoamisenesto-ohjelman välitön johtaminen, täytäntöönpano ja valvonta ja joka koulutuksensa ja tietojensa ansiosta pystyy tunnistamaan, arvioimaan ja ratkaisemaan olemassa olevat ja mahdolliset putoamisvaarat ja jolla on työnantajan valtuutus ryhtyä välittömiin korjaaviin toimiin tällaisten vaaratekijöiden suhteen.

**2.8 REUNOJEN LÄHEISYYDESSÄ TAPAHTUVAAN KÄYTTÖÖN SOVELTUVAT ITSEKELAUTUVAT LAITTEET:**

Tämä käyttöopas kattaa reunojen läheisyydessä tapahtuvaan käyttöön soveltuvat itsekelaautuvat laitteet (Self-Retracting Device with Leading Edge capabilities, SRL-LE). Kuvassa 1 esitetään reunojen läheisyydessä tapahtuvaan käyttöön soveltuvien itsekelaautuvien laitteiden mallit. Reunojen läheisyydessä tapahtuvaan käyttöön soveltuvat itsekelaautuvat laitteet on testattu vaakasuuntaisessa käytössä sekä pudotuksissa särmättömän teräsreunan yli. Reunojen läheisyydessä tapahtuvaan käyttöön soveltuvia itsekelaautuvia laitteita voidaan käyttää tilanteissa, joissa putoaminen saattaa tapahtua teräsreunan yli (esimerkkeinä teräsrungot tai metallilevyt).

**Leading Edge -ominaisuuden varoitukset:** Seuraavia varoituksia tulee noudattaa reunojen läheisyydessä tapahtuvaan käyttöön soveltuvia itsekelaautuvia laitteita käytettäessä:

- Reunojen läheisyydessä tapahtuvaan käyttöön soveltuvan itsekelaautuvan laitteen turvaköyden sallittu uudelleensuuntauksen kulma sillä reunalla, jonka yli putoaminen saattaa tapahtua (mitattuna suuntaa muuttaneen turvaköyden muodostaman kahden sivun välillä), on vähintään 90 astetta (katso kuva 7).
- Kiinnityspiste tulee sijoittaa samalle korkeudelle kuin reuna, jonka yli putoaminen voi tapahtua tai kyseisen reunan yläpuolelle. Reunan alapuoliset kiinnityspisteet ovat vaarallisia, koska tällöin turvaköysi taivuttaa 90 astetta terävämpään kulmaan (katso kuva 7).
- Katso kappaleesta 1 rajoitukset sallitulle työalueelle kiinnityspisteeseen nähden, mukaan lukien sellaiset tekijät kuin heilahtava putoaminen ja köyden hankautuminen reunaan sekä yhden kiinnityspisteen käyttö verrattuna vaakasuuntaisen liikkeen sallivien kiinnikkeiden käyttöön (esim. vaakasuuntainen turvaköysi tai vaakasuuntainen kisko).
- Reunojen läheisyydessä tapahtuvaan käyttöön soveltuvia itsekelaautuvia laitteita voidaan käyttää vaakasuuntaisen turvaköyden tai vaakasuuntaisen kiskon kanssa ainoastaan vaakasuuntaisen turvaköyden tai vaakasuuntaisen kiskon tuoteohjeiden mukaisesti.
- Reunojen läheisyydessä tapahtuvaan käyttöön soveltuvien itsekelaautuvien laitteiden ankkurointipisteen vastakkaisella puolella olevien aukkojen kauimmaisilla reunoilla työskentely on kiellettyä.
- Jos käyttäjä putoaa reunan yli, saatetaan tarvita erikoispelastustoimenpiteitä.
- Reunojen läheisyydessä tapahtuvaa käyttöä suunniteltaessa tulee varmistaa, että työalueen parametrit ovat reunojen läheisyydessä tapahtuvaan käyttöön soveltuvien itsekelaautuvien laitteiden tarroihin merkittyjen pienimmän suojaetäisyyden, suurimman vapaan pudotuksen etäisyyden ja pienimmän esteettömän putoamiskorkeuden rajoissa tapauksissa, joissa putoaminen tapahtuu reunan yli.

**Leading Edge -ominaisuuden vapaan putoamiskorkeuden laskeminen:** Reunan yli putoamisen pienin vapaa putoamiskorkeus voidaan laskea Leading Edge -käytön turvaetäisyyden ja reunamitan perusteella (katso kuva 8). Esteettömän putoamiskorkeuden laskeminen kuvan 8 taulukosta:

1. Valitse turvaetäisyyttä (A) lähinnä oleva arvo vasemmanpuoleisten rivien otsikoista.
2. Valitse reunamittaa (B) lähinnä oleva arvo yläsarakeen otsikoista. Harmaat alueet, joihin ei ole merkitty arvoja, tarkoittavat, että reunamitta on turvallisen työvätehen ulkopuolella valitulle turvaetäisyydelle.
3. Pienin vapaa putoamiskorkeus (C) löytyy vaiheessa 1 valitun rivin ja vaiheessa 2 valitun sarakkeen risteämiskohdassa.
4. Määritä turvallinen kiinnityskohta ja sallittu työväde toistamalla edelliset vaiheet jokaiselle reunalle, jonka yli työntekijä saattaa pudota.

**CE-merkintään liittyvät terävien reunojen määritelmät:** Nämä itsekelaautuvat CE-merkityt laitteet on testattu onnistuneesti vaakasuuntaisessa käytössä sekä särmättömien teräsreunojen yli tapahtuvissa putoamisissa. Kuvassa 8 esitettyjä suojaetäisyysrajoituksia tulee noudattaa. Vältä työskentelemistä paikoissa, joissa turvaköysi hankaa jatkuvasti tai toistuvasti teräviä tai hiertäviä reunoja vasten. Eliminoi tällainen kosketus tai suojaa reunat käyttämällä raskasta pehmustetta tai muulla tavoin. Reunojen tyyppi on määritelty seuraavasti:

**VG 11.60, versio 6, A-tyyppisen reunan määritelmä:** Testissä käytettiin teräsreunaa, jonka säde, r, oli 0,5 mm ja jossa ei ollut särmiä. tämän testin perusteella varusteita voidaan käyttää samankaltaisten reunojen päällä, joita saattaa olla esim. valssatusta teräksestä valmistetuissa profiileissa, puisissa palkeissa tai päällystetyissä ja pyöristetyissä kattosokkeleissa.

### 3.0 ASENNUS

- 3.1 SUUNNITTELU:** Suunnittele putoamisenestojärjestelmäsi ennen työn aloittamista. Ota huomioon kaikki tekijät, jotka voivat vaikuttaa turvallisuuteen ennen putoamista, sen aikana ja sen jälkeen. Ota huomioon kaikki tässä ohjeessa luetellut vaatimukset ja rajoitukset.
- 3.2 KIIINNITYS:** Kuvassa 9 näkyy tyypillisiä itsekelautuvan laitteen kiinnityspisteiden liitäntöjä. Ankkuroinnin (A) tulisi olla suoraan yläpuolella vapaapudotus- ja heilumispudotusvaarojen minimoimiseksi (katso osa 2). Valitse kiinteä kiinnityskohta, joka kestää osassa 2.2 määritetyt staattiset kuormitukset. Itsekelautuvan laitteen leikarin lenkki on varustettu karbiinihaalla (B). Kiinnitä karbiinihaka suoraan ankkurointirakenteeseen (raudoitukseen, kulmarautaan tms.), sidontalenskiadapteriin (C) tai ankkurointikiinnityspisteeseen (D).
- 3.3 VALJAIDEN KIIINNITYS:** Putoamisenpysäytyssovelluksiin tarvitaan kokovartalovaljaat. Kiinnitä itsekelautuvan laitteen turvaköyden jousihaka (A) kokovartalovaljaiden selkäpuolen D-renkaaseen (katso kuva 10). Tikapuilla kiipeämisen kaltaisissa tilanteissa voi olla hyödyllistä käyttää valjaiden etupuolen D-rengaskiinnitystä. Katso valjaiden valmistajan ohjekirjasta tarkemmat tiedot siitä, miten valjaiden kiinnityspisteitä käytetään.
- 3.4 KOLMIJALAN ASENNUS:** Kuvassa 11 näkyy pelastuskäsikammen sisältävän itsekelautuvan Rebel-laitteen asennus Protecta-kolmijalkaan. Pelastusvälineen sisältävä itsekelautuva laite asennetaan kolmijalan jalkaan ja turvaköysi ohjataan kolmijalan päässä olevan hihnapyöräjärjestelmän kautta. Katso tarkemmat tiedot kolmijalan ja asennuskiinnikkeen ohjeista.

### 4.0 KÄYTTÖ

Jos et ole ennen käyttänyt itsekelautuvaa Rebel-laitetta tai jos edellisestä käyttökerrasta on aikaa, tutustu tämän käyttöoppaan alussa oleviin turvallisuustietoihin ennen laitteen käyttöä.

- 4.1 ENNEN JOKAISTA KÄYTTÖKERTAA:** Varmista, että työalue ja putoamissuojausjärjestelmä täyttävät näissä ohjeissa esitetyt vaatimukset. Varmista, että käytössä on pelastussuunnitelma. Tarkasta tuote *tarkastus-* ja *kunnossapitolokissa* lueteltujen "käyttäjän" tarkastuspisteiden mukaisesti. Jos tuote todetaan tarkastuksessa turvallisuudelle vaaralliseksi tai vialliseksi tai jos sen käyttöturvallisuudesta ei voida olla täysin varmoja, tuote on poistettava käytöstä välittömästi. Merkitse siihen selkeästi "EI SAA KÄYTTÄÄ". Lisätietoja on osiossa 5.
- 4.2 PUTOAMISEN JÄLKEEN:** Kaikki varusteet, jotka ovat altistuneet putoamiseen liittyvän pysäytyksen synnyttämille voimille tai joissa ilmenee pysäytysvoimiin liittyviä osiossa 5 kuvattuja vaurioita, on välittömästi poistettava käytöstä. Niihin on kiinnitettävä merkintä "KÄYTTÖKELVOTON" ja ne on tutkittava ja huollettava kuten osioissa 5 ja 6 neuvotaan.
- 4.3 KEHOTUKI:** Kokovartalovaljaat ovat pakolliset 3M:n itsekelautuvia laitteita käytettäessä. Yleisessä putoamisenestokäytössä turvaköysi liitetään takaosan (selkäpuolen) D-renkaaseen. Tikapuilla kiipeämisen kaltaisissa tilanteissa voi olla hyödyllistä käyttää valjaiden etupuolen D-rengaskiinnitystä. Katso valjaiden valmistajan ohjekirjasta tarkemmat tiedot siitä, miten valjaiden kiinnityspisteitä käytetään.
- 4.4 LIITÄNTÖJEN TEKO:** Kun liitoksen tekoon käytetään haka, varmista, ettei sen avautuminen ole mahdollista (katso kuva 5). Älä käytä sellaisia hakoja tai liittimiä, jotka eivät sulkeudu täysin kiinnityskohteen päälle. Älä käytä lukkiutumattomia jousihakoja. Kiinnityspinnan tulee täyttää kappaleen 2.2 mukaiset ankkurointia koskevat vahvuusvaatimukset. Noudata kunkin järjestelmäkomponentin mukana tulleita valmistajan ohjeita.
- 4.5 KÄYTTÖ:** Itsekelautuva laite tulee tarkastaa osassa 5.0 kuvatulla tavalla. Liitä itsekelautuva laite sopivaan kiinnityskohtaan tai kiinnitysliittimeen edellä kuvatulla tavalla. Kiinnitä turvaköyden päässä oleva automaattisesti lukittuva jousihaka kokovartalovaljaiden selkäpuolen D-renkaaseen (katso kuva 10). Varmista, että liitännät ovat kooltaan, muodoltaan ja vahvuudeltaan yhteensopivia. Varmista, että haka on täysin suljettu ja lukittu. Kun työntekijä on kiinni varusteissa, hän voi liikkua suositellulla työalueella vapaasti ja normaalia vauhtia. Jos RSQ-valintanuppi on asetettu tilaan "putoamisen pysäytys", itsekelautuva laite pysäyttää putoamisen. Jos RSQ-valintanuppi on asetettu tilaan "laskeutuminen", itsekelautuva laite laskee käyttäjän putoamistapauksessa automaattisesti alemmalle tasolle. Itsekelautuvan laitteen kanssa työskenneltäessä turvaköyden on aina annettava kelautua hallitusti takaisin laitteeseen. Lyhyt pidätysköysi voi olla tarpeen turvaköyden vetämiseksi ulos tai sisään liitännän ja irrottamisen aikana. Pidätysköyttä voidaan käyttää estämään turvaköyden hallitsematon kelautuminen itsekelautuvaan laitteeseen. Työalueen ympäristöstä ja olosuhteista riippuen voi olla tarpeen kiinnittää pidätysköyden vapaa pää, jotta köyden sotkeutuminen laitteistoon tai koneisiin ja niiden toiminnan häiriintyminen estetään.
- 4.6 NOSTOKÄYTTÖ:** Kuvassa 12 näkyy itsekelautuvan Rebel-laitteen pelastuskäsikammen toiminta. Älä yritä käyttää nostotoimintoa turvaköyden ollessa täysin sisään vedettynä. Aktivoidaksesi nostotilan ja käyttääksesi käsipelastuskampea:
1. Vapauta kammen varsi vetämällä nostokahva ulos.
  2. Käännä nostokahvaa 180 astetta ulospäin itsekelautuvan laitteen rungosta.
  3. Vedä nostonuppi ulos lukkiutumattomaan asentoon ja pidä se siinä.
  4. Työnnä kammen varsi sisään ja vapauta nostonuppi. Käännä kammen vartta tarvittaessa myötäpäivään auttamalla vaihdetta kytketymään päälle.
  5. Nosta ja laske turvaköyttä kuvassa 12 osoitetulla tavalla:
    - A. Nosto: Kierrä kampea vastapäivään.
    - B. Lasku: Kierrä kampea hieman vastapäivään putoamisenestojarrun vapauttamiseksi ja käännä kampea sitten myötäpäivään.

Itsekelautuvien laitteiden kolmisuuntaisella hätänostotoiminnolla varustettujen mallien kiinteä pelastuskampi on suunniteltu ainoastaan pelastustarkoituksiin, eikä sitä tule käyttää työasemointiin tai materiaalien nostamiseen/laskemiseen.

Pelastusvälineen sisältävissä itsekelautuvissa Rebel-laitteissa ei ole ylikuormituskytkintä, joka rajoittaisi vetäviin osiin ja kiinnitettyyn henkilöön kohdistuvaa voimaa. Vältä köyden löystymistä nostotilassa. Tarkkaile myös pelastettavaa henkilöä noston aikana varmistaaksesi, ettei hän tartu mihinkään kiinni ja altistu liialliselle voimalle jatkuvan noston aikana.

Turvaköyden laskeminen tai höllääminen edellyttää vähintään 33,9 kg:n kuormitusta. Nostojärjestelmän käyttäminen edellyttää 0,13 kN:n (30 lb.) voimaa, kun se on kuormitettu kapasiteettiin.

Lopeta kampeaminen, kun vajeri tai köysi on täysin ulkona tai sisällä. Jatkuva kampeaminen voi vahingoittaa laitteen osia.

#### 4.7 NOSTON POISKYTKENTÄ: Nostotilan kytkeminen pois päältä:

Kun nostotoiminto on kytketty pois päältä, mahdollisesti ulosvedetty turvaköysi kelautuu takaisin itsekelautuvaan laitteeseen. Mahdollisten loukkaantumisten välttämiseksi kelaa turvaköysi takaisin ennen poiskytkemistä, tai pidä turvaköydestä kiinni.

1. Poista kaikki turvaköyden kuormat.
2. Vedä nostonuppi ulos lukkiutumattomaan asentoon ja pidä se siinä.
3. Vedä kammen varsi ulos kytketyntymättömään asentoon ja vapauta nostonuppi.
4. Vedä nostokahva ulos ja käännä sitä 180 astetta itsekelautuvan laitteen runkoa kohti säilytysasentoon.

## 5.0 TARKASTUS

Kun laitteisto on poistettu käytöstä, sitä ei saa palauttaa käyttöön ennen kuin pätevä henkilö on vahvistanut kirjallisesti, että näin saa tehdä.

- 5.1 **TARKASTUSVÄLI:** Käyttäjän tulee tarkastaa tuote ennen jokaista käyttökertaa. Tämän lisäksi pätevän henkilön (joku muu kuin käyttäjä itse) tulee tarkastaa se vähintään vuoden välein. Laitteiden tiheämpi käyttö ja vaativat olosuhteet saattavat edellyttää pätevän henkilön suorittamia tarkastuksia useammin. Pätevän henkilön on määritettävä näiden tarkastusten väli kyseisten työolosuhteiden mukaan.
- 5.2 **TARKASTUSTOIMENPITEET:** Tarkasta tämä tuote *tarkastus-* ja *kunnossapitolokissa* lueteltujen toimenpiteiden mukaisesti. Tuotteen omistajan tulee säilyttää jokaisen tarkastuksen asiakirjat. Tarkastus- ja kunnossapitoloki tulee sijoittaa tuotteen lähelle tai sen tulee olla muulla tavalla helposti käyttäjän saatavilla. On suositeltavaa, että tuotteeseen merkitään seuraavan tai edellisen tarkastuksen päivämäärä.
- 5.3 **VIAT:** Jos tuotetta ei voida palauttaa käyttöön vian tai vaarallisuuden vuoksi, se on hävitettävä tai lähetettävä 3M:lle tai 3M:n valtuuttamaan huoltokeskukseen korjattavaksi.
- 5.4 **TUOTTEEN KÄYTTÖIKÄ:** Tuotteen toiminnallinen ikä määräytyy työolosuhteiden ja huollon mukaan. Tuotetta voidaan käyttää niin kauan kuin se läpäisee tarkastuskriteerit.

## 6.0 HUOLTO, YLLÄPITO JA SÄILYTYS

Laitteet, jotka vaativat huoltoa tai joille on tehtävä suunniteltu huolto, on varustettava merkinnällä "EI SAA KÄYTTÄÄ". Näitä merkintöjä ei saa poistaa, ennen kuin huolto on suoritettu.

- 6.1 **PUHDISTUS:** Itsekelautuva laite puhdistetaan seuraavasti:
  - Itsekelautuvan laitteen ulkopuoliset osat tulee puhdistaa säännöllisesti vedellä ja miedolla pesuaineella. Aseta itsekelautuva laite niin, että liika vesi valuu pois. Puhdista merkinnät tarpeen mukaan.
  - Puhdista turvaköysi miedolla saippualla ja vedellä. Huuhtele ja anna kuivua täysin. Älä kuivaa kuumentamalla. Liialliset lika- ja maaliokeräytymät yms. saattavat estää turvaköyden täydellisen kelautumisen takaisin koteloon ja aiheuttaa vapaapudotuksen vaaran. Vaihda turvaköysi uuteen, jos siinä on liikaa tällaisia keräytymiä.
- 6.2 **HUOLTO:** Valtuutetun huoltokeskuksen tulee suorittaa muut kunnossapito- ja huoltotoimenpiteet. Itsekelautuvaa laitetta ei tule yrittää purkaa eikä sen osia tule yrittää voidella.
- 6.3 **SÄILYTYS JA KULJETUS:** Säilytä ja kuljeta itsekelautuvaa laitetta viileässä, kuivassa ja puhtaassa ympäristössä poissa suorasta auringonvalosta. Vältä alueita, joilla saattaa esiintyä kemiallisia höyryjä. Itsekelautuva laite tulee aina tarkistaa perinpohjaisesti pitkäaikaisen varastoinnin jälkeen.

## 7.0 MERKINNÄT

Kuvassa 19 näkyvät itsekelautuvien Rebel-laitteiden merkinnät ja niiden sijainnit. Kaikkien itsekelautuvan laitteen merkintöjen tulee olla paikoillaan. Merkinnät pitää uusia, jos ne eivät ole täysin luettavissa. Kaikissa merkinnöissä on seuraavat tiedot:

(A)	1) Tarkasta jousihaka ja nykyismittari. 2) Tarkasta itsekelautuvan laitteen lukitustoiminta. 3) Kytke itsekelautuvan laitteen turvaköysi valjaiden selkäkiinnikkeeseen. 4) Vain pystysuoraan käyttöön. Älä koskaan kiinnitä itsekelautuvaa laitetta valjaiden selkäkiinnikkeen alapuolelle. 4A) Reunojen läheisyydessä tapahtuvaan käyttöön soveltuva itsekelautuva laite vaaditaan, jos kiinnityskohta on valjaiden selkäkiinnikkeen tasolla tai sen alapuolella. 4B) Vain pystysuoraan käyttöön. Älä koskaan kiinnitä itsekelautuvaa laitetta valjaiden selkäkiinnikkeen alapuolelle. 5) Lämpötila-alue -40 °C - 60 °C 6) Enimmäiskapasiteetti - 140 kg 7) Hallitse turvaköyden kelautumista itsekelautuvaan laitteeseen. Älä koskaan päästä turvaköyttä ponnahtamaan takaisin vapaasti. 8) Työskentele suoraan itsekelautuvan laitteen kiinnityksen alapuolella minimoidaksesi keinahdukset putoamisen sattuessa. 9) Älä korjaa. Vain valtuutettu huolto saa huoltaa tätä tuotetta. 10) Säilytä itsekelautuvia laitteita viileässä, kuivassa ja puhtaassa ympäristössä poissa suorasta auringonvalosta. 11) Älä aseta itsekelautuvan laitteen koteloa reunalle. 12) Merkintöjä ei saa poistaa. 13) Lue kaikki ohjeet. 14) Ilmoitetun tarkastuslaitoksen tunnus. 15) Seuraava tarkastuskuukausi 16) Seuraava tarkastusvuosi 17) Valmistusvuosi ja -kuukausi 18) Eränumero 19) Mallinumero 20) Turvaköyden pituus 21) Sarjanumero
(B)	Turvaköyttä lasketaan kääntämällä kammen vartta myötäpäivään. Turvaköyttä nostetaan kääntämällä kammen vartta vastapäivään.
(C)	1) Vedä nostokahva ulos. 2) Käännä nostokahvaa ulospäin itsekelautuvan laitteen rungosta. 3) Vedä ja pidä nostonuppiä. 4) Työnnä kammen vartta ja käännä sitä hieman myötäpäivään. 5) Vapauta nostonuppi.

**Taulukko 3 – Tarkastus- ja kunnossapitoloki**

<b>Sarjanumerot:</b>		<b>Ostopäivämäärä:</b>	
<b>Mallinnumero:</b>		<b>Ensimmäisen käyttökerran päivämäärä:</b>	
<b>Tarkastanut:</b>		<b>Tarkastuspäivä:</b>	
<b>Osa:</b>	<b>Tarkastus:</b>	<b>Käyttäjä</b>	<b>Pätevä henkilö</b>
Itsekelautuva laite (Kuva 13)	Tarkasta, ettei laitteessa ole löysiä pultteja tai taipuneita tai vaurioituneita osia.	<input type="checkbox"/>	<input type="checkbox"/>
	Tarkasta, ettei laitteen kotelossa (A) ole vääntymiä, murtumia tai muita vaurioita.	<input type="checkbox"/>	<input type="checkbox"/>
	Tarkasta, ettei leikarissa (B) ole vääntymiä, murtumia tai muita vaurioita. Leikari on kiinnitettävä lujasti itsekelautuvaan laitteeseen, mutta sen pitää kääntyä vapaasti.	<input type="checkbox"/>	<input type="checkbox"/>
	Turvaköyttä (C) tulee voida vetää ulos ja sen tulee kelautua täysin takaisin sisään esteettä tai löystymättä.	<input type="checkbox"/>	<input type="checkbox"/>
	Varmista, että laite lukkiutuu, kun köydestä nykäistään nopeasti. Lukitus ei saa luistaa.	<input type="checkbox"/>	<input type="checkbox"/>
	Merkinän tulee olla kiinnitettynä sekä täysin lukukelpoinen (katso kuva 19).	<input type="checkbox"/>	<input type="checkbox"/>
Tarkasta koko laite syöpymisen varalta.	<input type="checkbox"/>	<input type="checkbox"/>	
Itselukittuva jousihaka ja kuormituksen ilmaisin (Kuva 14)	Tarkasta, että kääntyvässä, itselukittuvassa jousihaassa ei ole merkkejä vaurioista tai syöpymisestä ja että se on käyttökunnossa. Leikarin tulee pyöriä vapaasti. Tarkasta kuormituksen ilmaisin. Jos punainen nauha näkyy (osoitustila), iskukuormitus on tapahtunut ja itsekelautuva laite on poistettava käytöstä ja tarkastettava. Kuormituksen ilmaisinta ei saa yrittää nollata. Vie itsekelautuva laite valtuutettuun huoltokeskukseen nollausta varten. HUOMAA: Leikari ei käänny vapaasti, kun kuormituksen ilmaisin on osoitustilassa.	<input type="checkbox"/>	<input type="checkbox"/>
Turvavaijeri (Kuva 15)	Tarkista turvavaijeri viiltojen, taantumien (A), katkenneiden säikeiden (B), sykkyröiden (C), hitsausroiskeiden (D), syöpymisen, kemikaalivahinkojen tai vakavien hankaumien varalta. Työnnä vaijerin puskurin (E) ylös ja tarkasta holkit (F) halkeamien ja vaurioiden varalta ja tarkasta, ettei vaijerissa näy merkkejä korroosiosta tai katkenneita säikeitä. Vaihda vaijeri, jos sen yhdessäkään punoskierroksessa on vähintään kuusi satunnaisesti katkennutta lankaa tai vähintään kolme katkennutta lankaa yhdessä punoksessa. Vaijerin "punoskierros" on vaijerin punoksen täysi kierros tai palmikointi läpimitan ympäri. Vaihda vaijeri, jos 25 mm:n säteellä holkeista on katkenneita lankoja.	<input type="checkbox"/>	<input type="checkbox"/>
Varaturvaköysi (Kuva 16)	Tarkasta turvaköyden varalla oleva osio. Jos putoaminen pysäytettiin, kun suurin osa turvaköydestä oli ulkona, varaköyttä on mahdollisesti myös tarvittu. Vedä turvaköyttä ulos itsekelautuvasta laitteesta, kunnes se pysähtyy. Jos punainen nauha (G) on näkyvässä, varaturvaköysi on aktivoitunut ja yksikkö pitää huoltaa valtuutetussa huollossa ennen uudelleenkäyttöä.	<input type="checkbox"/>	<input type="checkbox"/>
Reunojen läheisyydessä tapahtuvaan käyttöön soveltuvien itsekelautuvien laitteiden nykäksenvaimennin (Kuva 17)	Varmista, että kiinteä nykäksenvaimennin ei ole aktivoitunut reunojen läheisyydessä tapahtuvaan käyttöön soveltuvissa itsekelautuvissa laitteissa. Suojuksesta (A) ei saa olla vedettyä ulos kudosta. Suojuksen tulee olla tukevasti paikoillaan, ehjä (B) ja vaurioton.	<input type="checkbox"/>	<input type="checkbox"/>
Kiinteä nosto- ja pelastuskäsikampi (Kuva 18)	Tarkasta, ettei kammien varressa (A) ole vääntymiä tai muita vaurioita. Varmista, että nostokahva (B) voidaan kääntää ulos ja kiinnittää kampeamisasetoon. Varmista, että nostonuppi (C) voidaan vetää ulos lukitsemattomaan asentoon ja sitten vapauttaa lukitsemaan kammien varsi sekä kytketyssä että kytkemättömässä asennossa.	<input type="checkbox"/>	<input type="checkbox"/>
	Testaa nostotoiminnon oikea toiminta nostamalla ja laskemalla vähintään 34 kg:n testipaino. Kun nostokahva vapautetaan, paino ei saa liikkua, ja nostokahvan tulee pysyä paikallaan (ei liikettä). Kun kuormaa nostetaan, tulisi kuulua napsahdus.	<input type="checkbox"/>	<input type="checkbox"/>
<b>Korjaava toimi / kunnossapito:</b>	Hyväksyjä:	Seuraava tarkastus viimeistään:	
	Päivämäärä:		
<b>Korjaava toimi / kunnossapito:</b>	Hyväksyjä:	Seuraava tarkastus viimeistään:	
	Päivämäärä:		
<b>Korjaava toimi / kunnossapito:</b>	Hyväksyjä:	Seuraava tarkastus viimeistään:	
	Päivämäärä:		
<b>Korjaava toimi / kunnossapito:</b>	Hyväksyjä:	Seuraava tarkastus viimeistään:	
	Päivämäärä:		
<b>Korjaava toimi / kunnossapito:</b>	Hyväksyjä:	Seuraava tarkastus viimeistään:	
	Päivämäärä:		
<b>Korjaava toimi / kunnossapito:</b>	Hyväksyjä:	Seuraava tarkastus viimeistään:	
	Päivämäärä:		
<b>Korjaava toimi / kunnossapito:</b>	Hyväksyjä:	Seuraava tarkastus viimeistään:	
	Päivämäärä:		

# CONSIGNES DE SÉCURITÉ

**Veillez lire, comprendre et suivre toutes les consignes de sécurité contenues dans les présentes instructions avant d'utiliser ce produit. LE NON-RESPECT DE CES INSTRUCTIONS POURRAIT ENTRAÎNER DES BLESSURES GRAVES OU MORTELLES.**

**Ces instructions doivent être transmises à l'utilisateur de cet équipement. Veuillez conserver ces instructions pour toute référence ultérieure.**

## Utilisation prévue :

Ce produit est utilisé dans le cadre d'un système antichute complet.

Toute utilisation pour d'autres applications y compris, mais sans s'y limiter, la manutention de matériaux, des activités de loisirs ou sportives, ou d'autres activités non décrites dans les présentes instructions, n'est pas approuvée par 3M et pourrait entraîner des blessures graves ou mortelles.

Ce produit ne doit être utilisé que par des utilisateurs formés pour des applications sur le lieu de travail.



## AVERTISSEMENT

Ce produit est utilisé dans le cadre d'un système antichute complet. Tous les utilisateurs doivent être parfaitement formés à l'installation et au fonctionnement sécurisés de l'ensemble du système antichute. **Une mauvaise utilisation de ce produit peut entraîner des blessures graves ou mortelles.** Pour ne faire aucune erreur dans la sélection, le fonctionnement, l'installation, la maintenance et l'entretien, suivez l'ensemble des manuels d'instructions et des recommandations du fabricant. Pour en savoir plus, consultez votre superviseur ou contactez le service technique 3M.

### • Pour réduire les risques associés à l'utilisation d'un dispositif de sécurité autorétractable qui, faute de protection, pourrait entraîner des blessures graves ou mortelles :

- Inspectez le produit avant chaque utilisation et après chaque chute, conformément aux procédures spécifiées dans les présentes instructions.
- Si l'inspection révèle un état dangereux ou défectueux, retirez immédiatement le produit du service et indiquez clairement « NE PAS UTILISER ». Détruisez ou réparez le produit comme indiqué dans les présentes instructions.
- Si le produit a été soumis à des forces d'arrêt de chute ou d'impact, il doit être immédiatement mis hors service. Détruisez ou réparez le produit comme indiqué dans les présentes instructions.
- Assurez-vous que les systèmes antichute assemblés avec des composants provenant de divers fabricants sont compatibles et respectent l'ensemble des règlements, des normes et des exigences applicables en matière de protection antichute. Consulter systématiquement une personne compétente ou qualifiée avant d'utiliser ces systèmes.
- Veiller à ce que la ligne de vie soit maintenue à l'abri de tous les dangers, y compris, mais sans s'y limiter : l'enchevêtrement avec des utilisateurs, d'autres travailleurs, des machines en mouvement et d'autres objets environnants, ou l'impact d'objets en hauteur pouvant tomber sur la ligne de vie ou des utilisateurs.
- Ne tordez pas, n'attachez pas et ne nouez pas la ligne de vie et ne lui donnez pas de mou.
- Évitez les risques de trébuchement avec les sangles de la ligne de vie. Le cas échéant, attachez les sangles inutilisées de la ligne de vie aux éléments de fixation de stationnement de la longe.
- Ne dépassez pas le nombre d'utilisateurs autorisés spécifié dans les présentes instructions.
- N'utilisez pas le dispositif pour des applications dont le chemin de chute comporte des obstacles. Un environnement dégagé est indispensable pour assurer un verrouillage du SDR. Le travail sur des matériaux qui se déplacent lentement (p. ex., sable ou gravier) ou dans des espaces confinés ou exigus peut empêcher le travailleur d'atteindre une vitesse suffisante pour déclencher le verrouillage du SDR.
- Évitez tout mouvement brusque ou rapide pendant l'utilisation du produit, car cela pourrait entraîner le verrouillage involontaire du SDR.
- Faites preuve de vigilance au cours de l'installation, de l'utilisation et du déplacement du produit, car les pièces mobiles peuvent créer des points de pincement.
- Utilisez une protection de bord appropriée lorsque la ligne de vie peut entrer en contact avec des arêtes vives ou des surfaces abrasives.
- Mettez immédiatement le produit hors service s'il a été utilisé lors d'une descente.
- Avant utilisation, assurez-vous que la trajectoire de descente ainsi que la zone d'atterrissage sont exemptes de tout obstacle et de tout danger.
- Assurez-vous que le produit est configuré et installé correctement pour un fonctionnement sécuritaire, comme décrit dans les présentes instructions.

### • Pour réduire les risques associés au travail en hauteur qui, faute de protection, peuvent entraîner des blessures graves ou mortelles :

- Votre santé et votre condition physique doivent vous permettre de travailler en hauteur en toute sécurité et de résister à toutes les forces associées à une chute. Consultez un médecin si vous avez des questions concernant votre aptitude à utiliser cet équipement.
- Ne dépassez jamais les limites autorisées pour votre équipement antichute.
- Ne dépassez jamais la distance de chute libre maximale spécifiée pour votre équipement antichute.
- N'utilisez aucun équipement antichute qui n'a pas satisfait aux inspections, ou si vous avez des préoccupations concernant l'utilisation ou la compatibilité de l'équipement. Contactez les services techniques de 3M si vous avez des questions.
- Certaines combinaisons de sous-systèmes et de composants peuvent gêner le fonctionnement de cet équipement. N'utilisez que des raccords compatibles. Contactez le service technique 3M avant d'utiliser cet équipement conjointement avec des composants ou des sous-systèmes autres que ceux décrits dans les présentes instructions.
- Soyez particulièrement vigilant lorsque vous travaillez autour des machines en mouvement, en cas de risques électriques, de températures extrêmes, de risques chimiques, de gaz explosifs ou toxiques, d'arêtes vives et de surfaces abrasives ; ainsi que lorsque vous êtes situé sous des matériaux suspendus pouvant chuter sur vous ou sur l'équipement.
- Assurez-vous que votre produit est conçu pour les dangers présents dans votre environnement de travail.
- Vérifiez que vous disposez d'une distance d'arrêt adaptée lorsque vous travaillez en hauteur.
- Ne modifiez ni n'altérez jamais votre équipement antichute. Seules la société 3M ou les personnes autorisées par écrit par 3M peuvent réparer l'équipement 3M.
- Avant l'utilisation d'un équipement antichute, vérifiez qu'un plan de sauvetage écrit est mis en place pour assurer un sauvetage rapide si une chute se produit.
- En cas de chute, faites immédiatement intervenir un médecin auprès du travailleur qui est tombé.
- Utilisez uniquement un harnais intégral de sécurité pour les applications antichute. N'utilisez pas de ceinture de travail.
- Réduisez le risque d'effets pendulaires en travaillant autant que possible directement sous le point d'ancrage.
- Vous devez utiliser un système antichute secondaire lors de la formation à l'utilisation de ce produit. Les personnes formées ne doivent pas être exposées à un risque de chute involontaire.
- Portez toujours un équipement de protection individuelle approprié lors de l'installation, de l'utilisation et de l'examen du produit.
- Ne travaillez jamais en dessous d'une charge ou d'un ouvrier suspendu.
- Maintenez toujours une connexion à 100 %.



Avant d'utiliser cet équipement, consignez les informations d'identification du produit indiquées sur l'étiquette d'identification dans le « Journal d'inspection et d'entretien » qui se trouve au dos du présent manuel.

Assurez-vous toujours que vous utilisez la dernière version de votre manuel d'utilisation 3M. Visitez le site Web ou contactez le service technique de 3M pour obtenir les manuels d'instructions mis à jour.


## DESCRIPTION :

La figure 2 recense les composants clés des dispositifs de sécurité autorétractables Protecta Rebel. Les SRD Rebel sont des lignes de vie à câble métallique enroulé autour d'un tambour (A) qui se rétractent dans un boîtier en thermoplastique ou en aluminium (B). Ils peuvent être suspendus à un ancrage à l'aide d'un mousqueton fixé en haut du dispositif de sécurité autorétractable au travers de l'émerillon. Un crochet mousqueton automatique (D) à l'extrémité de la ligne de vie se fixe au raccord antichute prévu d'un harnais intégral. Une butée (E) protège le câble métallique et les bagues de fixation du crochet mousqueton de l'abrasion et de la corrosion.

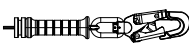
La Figure 1 représente les modèles Rebel couverts par ce manuel d'instructions. Voici les types de dispositifs de sécurité autorétractables offerts :

- **Dispositif de sécurité autorétractable (figure 2A) :** les dispositifs de sécurité autorétractables (SRD) conviennent aux applications où la ligne de vie reste généralement à la verticale pendant l'utilisation et où l'éventualité d'une chute libre est limitée à 0,6 m.
- **Dispositif de sécurité autorétractable équipé d'arêtes vives (figure 2b) :** les dispositifs de sécurité autorétractables équipés d'arêtes vives (SRD-LE) conviennent aux utilisations où la ligne de vie reste généralement à l'horizontale pendant l'utilisation et où l'éventualité d'une chute libre est limitée à 1,5 m (5 pi). Les SRD-LE ont un absorbeur d'énergie intégré (F), ou un composant similaire, pour résister aux charges d'impact de la ligne de vie sur une arête vive ou abrasive pendant l'arrêt de la chute et pour minimiser les forces antichute sur l'utilisateur.
- **Dispositif de sécurité autorétractable équipé d'un système de sauvetage (figure 2C) :** les dispositifs de sécurité autorétractables équipés d'un système de sauvetage (SRD-R) comprennent un moyen intégral de sauvetage assisté en élevant ou en abaissant la personne secourue. Les SRD-R sont équipés d'une manivelle de sauvetage de récupération d'urgence à trois voies (G). Certains modèles peuvent inclure un support de montage de trépied (H) pour fixer le SRD-R sur le pied d'un trépied pour des utilisations en espace confiné.

**Tableau 1 – Caractéristiques**

 Moitiés de boîtier	Matériau	
9508320 + 9520047	Aluminium – 15 m (50 pi) SRD-R	
9511070 + 9511071	Thermoplastique – 6 m (20 pi) SRD, 10 m (33 pi) SRD, et 6 m (20 pi) SRD-LE équipé d'arêtes vives	
9520021 + 9520022	Aluminium – 6 m (20 pi) et 10 m (33 pi) SRD	
9520044 + 9520045	Thermoplastique – 15 m (50 pi) SRD et 10 m (33 pi) SRD-LE équipé d'arêtes vives	
9520046 + 9520047	Aluminium – 15 m (50 pi) SRD	
9520056 + 9520057	Thermoplastique – 20 m (66 pi), 25 m (82 pi), 30 m (100 pi) SRD	
9520058 + 9520059	Aluminium – 20 m (66 pi), 25 m (82 pi) et 30 m (100 pi) SRD	

 Ligne de vie	Description	Mousqueton
9501087 + 2000175	Câble en acier galvanisé de 5,56 mm (7/32 po), crochet mousqueton pivotant en alliage d'acier à verrouillage automatique avec témoin.	2000175
9501479 + 2000175	Câble en acier galvanisé de 4,76 mm (3/16 po), crochet mousqueton pivotant en alliage d'acier à verrouillage automatique avec témoin.	2000175
9501613 + 2000170	Câble en acier inoxydable de 4,76 mm (3/16 po), mousqueton pivotant en acier inoxydable à verrouillage automatique avec témoin.	2000170
9501613 + 2000175	Câble en acier inoxydable de 4,76 mm (3/16 po), crochet mousqueton pivotant en alliage d'acier à verrouillage automatique avec témoin.	2000175
9501613 + 2100044	Câble en acier inoxydable de 4,76 mm (3/16 po), crochet mousqueton pivotant en acier inoxydable à verrouillage automatique avec témoin.	2100044

Mousqueton	Description	Matériau	Résistance de l'ouverture	Taille d'ouverture
2000170	Mousqueton pivotant à verrouillage automatique avec témoin de chute	Acier inoxydable	16 kN (3 600 lbf)	1,9 cm (75 po)
2000175	Crochet mousqueton pivotant à verrouillage automatique avec témoin de chute	Acier zingué	16 kN (3 600 lbf)	1,9 cm (75 po)
2100044	Crochet mousqueton pivotant à verrouillage automatique avec témoin de chute	Acier inoxydable	16 kN (3 600 lbf)	1,9 cm (75 po)

**Tableau 1 – Caractéristiques**

<b>Résistance à la traction de la ligne de vie à câble métallique :</b>	9501479 – diamètre de 4,76 mm (3/16 po) en acier galvanisé Résistance minimale à la traction de 18,7 kN (4 200 lbf) 9501613 – diamètre de 4,76 mm (3/16 po) en acier inoxydable Résistance minimale à la traction de 16 kN (3 600 lbf) 9501087 – diamètre de 5,55 mm (7/32 po) en acier galvanisé Résistance minimale à la traction de 24,9 kN (5 600 lbf)
<b>Charge d'élévation maximale du SRD-R :</b>	135 kg (298 lb)
<b>Force d'ancrage</b>	12 kN (2,697 lbf)

<b>Caractéristiques du SRD</b>	<b>Modèle CE (EN 360)</b>
<b>Plage de capacités :</b>	59 kg à 140 kg (130 lb à 310 lb)
<b>Force d'arrêt maximale :</b>	6 kN (1 350 lbf)
<b>Force d'arrêt moyenne :</b>	4,0 kN (900 lbf)
<b>Distance d'arrêt maximale :</b> <i>*En supposant que le SRD est installé directement au-dessus de l'utilisateur.</i>	1,1 m (42 po)
<b>Distance d'arrêt minimale requise :</b> <i>*En supposant que le SRD est installé directement au-dessus de l'utilisateur.</i>	1,8 m (6 pi)
<b>Chute libre maximale :</b> <i>*Le SRD doit être installé au-dessus du D d'accrochage de l'utilisateur.</i>	0,6 m (2 pi)

<b>Caractéristiques du SRD-LE</b>	<b>Modèle CE (EN 360 + CNB/P/11.060)</b>
<b>Plage de capacités :</b>	59 kg à 140 kg (130 lb à 310 lb)
<b>Force d'arrêt maximale :</b>	6 kN (1 350 lbf)
<b>Force d'arrêt moyenne :</b>	4 kN (900 lbf)
<b>Distance d'arrêt maximale :</b> <i>*En supposant que le SRD est installé directement au-dessus de l'utilisateur.</i>	1,1 m (42 po)
<b>Distance d'arrêt minimale requise :</b>	Vertical : 1,8 m (6 pi) Horizontal : 5,03 m (16,5 pi)
<b>Chute libre maximale :</b> <i>*Le SRD doit être installé au-dessus du D d'accrochage de l'utilisateur.</i>	0,6 m (2 pi)
<b>Chute libre maximale – SRD-LE :</b> <i>*Mesuré à partir du D d'accrochage de l'utilisateur jusqu'à la surface de travail.</i>	1,5 m (5 pi)

## 1.0 APPLICATIONS

- 1.1 OBJECTIF** : les dispositifs de sécurité autorétractables (SRD) 3M sont conçus pour être utilisés comme des composants d'un équipement de protection individuelle (EPI) antichute. La figure 1 présente les SRD présentés dans ce manuel d'utilisation et leurs applications habituelles. Ils peuvent être utilisés dans la plupart des situations nécessitant à la fois la mobilité de l'ouvrier et sa protection contre les chutes (travail d'inspection, constructions diverses, entretien, production pétrolière, travail en espace confiné, etc.).
- 1.2 NORMES** : votre SRD est conforme aux normes nationales ou régionales présentées sur la page de couverture de ces instructions. Si ce produit est revendu en dehors du pays de destination d'origine, le revendeur doit fournir ces instructions dans la langue du pays où il sera utilisé.
- 1.3 FORMATION** : ce dispositif doit être utilisé par des personnes formées à sa mise en place et à son utilisation. L'utilisateur est tenu de se familiariser avec ces instructions et de suivre une formation pour entretenir et utiliser correctement les équipements. L'utilisateur doit également connaître les caractéristiques de fonctionnement, les limites d'application et les conséquences d'une utilisation inappropriée de cet équipement.
- 1.4. LIMITES** : vous devez toujours consulter les limites et exigences ci-dessous avant d'installer ou d'utiliser cet équipement :

- **Capacité** : la conformité de ce SRD a été testée pour une utilisation par une personne au poids combiné (vêtements, outils, etc.) de 59 kg (130 livres) à 140 kg (310 livres).<sup>1</sup> Vérifier que tous les éléments de votre système sont compatibles avec une capacité correspondant à votre application.
- **Ancrage** : les exigences en matière d'ancrage varient en fonction de l'utilisation du dispositif antichute. La structure sur laquelle le connecteur d'ancrage est posé ou installé doit satisfaire aux spécifications d'ancrage reprises dans le Tableau 1.
- **Vitesse de verrouillage** : les situations qui ne permettent pas un chemin de chute dégagé doivent être évitées. Travailler dans des espaces confinés ou restreints ne permet pas toujours au corps d'atteindre une vitesse suffisante pour que le SRD se verrouille en cas de chute. Travailler sur des matériaux légèrement instables, comme le sable ou le gravier, risque également de ne pas permettre une vitesse suffisante pour occasionner le verrouillage du SRD. Un environnement dégagé est indispensable pour assurer un verrouillage correct du SDR.
- **Chute libre**: L'usage approprié d'un dispositif autorétractable (DAR) au-dessus de la tête minimisera la distance en chute libre. Dans le but de prévenir tout accroissement de la distance en chute libre, suivre les instructions ci-dessous:
  - Ne pas pincer, faire de nœuds ou empêcher d'une manière ou d'une autre la ligne de vie de se rétracter ou de rester tendue.
  - Éviter tout relâchement de la ligne de vie du DAR.
  - Ne pas travailler au-dessus du niveau d'ancrage.
  - Ne pas rallonger les dispositifs autorétractables (DAR) en les fixant à une longe ou un composant similaire sans consulter 3M.

Pour toute information spécifique au produit, relative aux chutes libres et aux valeurs de distance d'arrêt, se reporter au Tableau 1 de cette instruction.

- **Effets pendulaires** : les effets pendulaires se produisent lorsque le point d'ancrage ne se trouve pas directement au-dessus du point de chute. Heurter un objet pendant une chute pendulaire peut causer des blessures graves (voir la figure 3A). Réduire le risque d'effets pendulaires en travaillant autant que possible directement sous le point d'ancrage (figure 3B). Travailler loin du point d'ancrage (figure 3C) augmentera l'impact d'un effet pendulaire ainsi que la distance d'arrêt requise.
- **Distance d'arrêt** : la figure 3B représente le calcul de la distance d'arrêt. La distance d'arrêt (Fall Clearance, FC) est la somme de la chute libre (Free Fall, FF), de la distance de décélération (Deceleration Distance, DD) et d'un facteur de sécurité (Safety Factor, SF) :  $FC = FF + DD + SF$ . Le D d'accrochage et le tendeur du harnais sont inclus dans le facteur de sécurité. Les valeurs de la distance d'arrêt ont été calculées et incluses dans la figure 4. Un facteur de sécurité de 1 m (3,28 pi) a été utilisé pour toutes les valeurs de la figure 4.

Les figures 3B et 3C illustrent la distance d'arrêt. Pour les chutes se produisant à partir d'une position debout où le SRD est ancré directement au-dessus de la tête (figure 3B), les systèmes antichute du SRD doivent avoir les distances d'arrêt minimales spécifiées dans le tableau 1. Les chutes à partir d'une position à genoux ou accroupie nécessitent une distance d'arrêt supplémentaire de 1 mètre (3 pi). En effet pendulaire (figure 3C), la distance totale de chute verticale de l'utilisateur sera supérieure à celle d'une chute directe sous le point d'ancrage et peut nécessiter une distance d'arrêt supplémentaire. La figure 4 et le tableau joint définissent le rayon de la zone de travail maximum (C) pour différentes hauteurs d'ancrage (A) et distances d'arrêt (B) des SRD. La zone de travail recommandée est limitée à la zone située dans le rayon de la zone de travail maximum.

- **Risques** : l'utilisation de cet équipement dans un environnement à risque peut nécessiter des précautions supplémentaires pour réduire le risque de blessure ou de détérioration de l'équipement. Les risques comprennent, mais sans s'y limiter, la chaleur intense, les produits chimiques caustiques, les environnements corrosifs, les lignes à haute tension, les gaz explosifs ou toxiques, les engins en mouvement ou les matériaux situés au-dessus de la tête pouvant tomber et toucher l'utilisateur ou le dispositif antichute. Éviter de travailler dans les endroits où votre ligne de vie risque de se croiser ou de s'emmêler avec celle d'un autre ouvrier. Éviter de travailler dans les endroits où des objets peuvent tomber et heurter la ligne de vie, entraînant ainsi la perte d'équilibre ou l'endommagement de la ligne de vie. Ne pas laisser la ligne de vie passer sous vos bras ou entre vos jambes.
- **Arêtes vives** : ne pas travailler dans les endroits où la ligne de vie risque d'entrer en contact avec des bords tranchants non protégés, ou de frotter contre ceux-ci. Aux endroits où le contact est inévitable, couvrir l'arête vive avec un matériau de protection.

## 2.0 UTILISATION

- 2.1 PLAN DE SAUVETAGE** : pour utiliser cet équipement, l'employeur doit disposer d'un plan de sauvetage et de moyens disponibles pour le mettre en place, et le communiquer aux utilisateurs, personnes agréées et sauveteurs.
- 2.2. FRÉQUENCE D'INSPECTION** : les SRD doivent être inspectés par la personne agréée<sup>2</sup> ou par le sauveteur<sup>3</sup> avant chaque utilisation (voir le tableau 2). De plus, les inspections doivent être effectuées par une personne compétente<sup>4</sup> autre que l'utilisateur à des intervalles d'un an maximum. Des conditions de travail extrêmes (environnement hostile, utilisation prolongée, etc.) peuvent nécessiter des inspections plus fréquentes par une personne compétente. Les procédures d'inspection sont décrites dans le « Journal d'inspection et d'entretien » (tableau 3). Les résultats de l'inspection par la personne compétente doivent être enregistrés dans le « Journal d'inspection et d'entretien » ou dans le système RFID.

**1 Capacité** : Les SRD à récupération avec treuil ont une charge d'élévation maximale de 135 kg (298 livres).

**2 Personne agréée** : personne désignée par l'employeur pour effectuer des tâches sur un site où elle sera exposée à un risque de chute.

**3 Sauveteur** : personne(s) autre(s) que la personne secourue, chargée(s) d'effectuer un sauvetage au moyen d'un équipement de sauvetage.

**4 Personne compétente** : une personne désignée par l'employeur comme responsable de la supervision immédiate, de la mise en œuvre et de la surveillance du programme de protection antichute de l'employeur. Grâce à sa formation et à ses connaissances, cette personne est capable de déceler, d'évaluer et de calculer les risques éventuels de chute. Enfin, l'employeur autorise cette personne à prendre des mesures correctrices en cas de problème.

**2.3 UTILISATION NORMALE** : l'utilisation normale permettra à la ligne de vie de s'allonger et de se rétracter de toute sa longueur sans difficulté ou relâchement pendant que le travailleur se déplace à une vitesse normale. En cas de chute, un système de freinage à détection de vitesse s'active, arrêtant la chute et absorbant la majorité de l'énergie générée. Éviter tout mouvement brusque ou rapide pendant une utilisation normale qui risquerait de verrouiller le SRD. Pour les chutes qui se produisent presque à la fin de la course de la ligne de vie, un système de réserve de ligne de vie ou un absorbeur d'énergie a été incorporé pour réduire les forces d'impact. Si le SRD a été soumis à des forces d'impact, le retirer du service, apposer la mention « INUTILISABLE », l'inspecter et l'entretenir conformément aux instructions figurant dans les sections 5 et 6.

**2.4 HARNAIS DE MAINTIEN** : un harnais intégral doit être utilisé avec le dispositif de sécurité autorétractable. Le point de raccordement du harnais doit être situé au-dessus du centre de gravité de l'utilisateur. L'utilisation d'une ceinture de travail n'est pas autorisée avec le dispositif de sécurité autorétractable. En cas de chute, la ceinture de travail peut se relâcher accidentellement ou provoquer des traumatismes physiques dus à un support du corps insuffisant.

**2.5 COMPATIBILITÉ DES COMPOSANTS** : sauf indication contraire, l'équipement 3M est destiné à être utilisé uniquement avec des composants et des sous-systèmes agréés. La substitution ou le remplacement de pièces par des composants ou des sous-composants non approuvés peut compromettre la compatibilité de l'équipement et affecter la sécurité et la fiabilité de l'ensemble du système. Lire et suivre les instructions du fabricant des composants et des sous-systèmes associés au dispositif antichute individuel.

**2.6 COMPATIBILITÉ DES CONNECTEURS** : les connecteurs sont considérés comme compatibles avec les éléments de raccordement lorsqu'ils ont été conçus de sorte que ni leur taille ni leur forme ne provoquent l'ouverture spontanée de leur mécanisme d'ouverture, quelle que soit leur orientation. Pour toute question concernant la compatibilité, contacter 3M.

Les connecteurs utilisés pour suspendre le SRD doivent être conformes à la norme EN362. Les connecteurs doivent être compatibles avec l'ancrage ou tout autre composant du dispositif. Ne pas utiliser un équipement non compatible. Les connecteurs non compatibles peuvent se désengager accidentellement (voir la figure 5). Les connecteurs doivent être compatibles par leur taille, leur forme et leur résistance. Des mousquetons à verrouillage automatique et des mousquetons sont requis. Si l'élément de raccordement est doté d'un mousqueton trop petit ou de forme irrégulière, il se peut que l'élément de raccordement applique une force sur le mécanisme d'ouverture du mousqueton (A). Cette force pourrait entraîner l'ouverture du mécanisme (B) et provoquer le détachement du mousqueton de son point de raccordement (C).

**2.7 RACCORDEMENT** : les mousquetons utilisés avec cet équipement doivent être à verrouillage automatique. Vérifier que toutes les connexions sont compatibles en taille, en forme et en résistance. Ne pas utiliser un équipement non compatible. Vérifier que tous les connecteurs sont bien fermés et verrouillés. Les connecteurs 3M (mousquetons) sont destinés à être utilisés uniquement selon les instructions de chacun des produits. La figure 6 montre quelques exemples de raccords inappropriés. Ne pas raccorder les mousquetons :

- A. à un D d'accrochage auquel un autre connecteur est attaché.
- B. d'une manière qui provoquerait une charge sur l'ouverture. Les mousquetons à grande ouverture ne doivent pas être raccordés à des D d'accrochage de taille standard ou à des objets similaires qui provoqueraient une charge sur l'ouverture si le connecteur ou le D d'accrochage venait à tourner, sauf si le mousqueton est équipé d'une ouverture de 16 kN (3 600 livres). Vérifier le marquage sur votre mousqueton afin de s'assurer qu'il convient à votre application ;
- C. dans une configuration défectueuse où des éléments dépassant du mousqueton s'accrochent à l'ancrage et où tout laisse à penser, sans être toutefois confirmé visuellement, que la fixation au point d'ancrage est correcte ;
- D. l'un à l'autre ;
- E. directement à la sangle ou à la longe ou au point d'ancrage (à moins que les instructions du fabricant de la longe et du connecteur n'autorisent un raccordement de ce type).
- F. à un objet ayant une forme ou une dimension empêchant la fermeture et le verrouillage du mousqueton, ou risquant de provoquer un détachement ; ou
- G. d'une manière qui ne permet pas le bon alignement du connecteur lorsqu'il est sous charge.

**Tableau 2 – Calendrier d'inspection**

Type d'utilisation	Exemples d'applications	Conditions d'utilisation	Fréquence d'inspection
			Personne compétente
Rare à légère	Opérations de sauvetage, travaux en espace confiné, maintenance d'installations industrielles	Bonnes conditions de stockage, utilisation en intérieur (rarement en extérieur), température ambiante, environnements propres	Une fois par an
Modérée à forte	Transport, construction d'habitations, services publics, entrepôts	Conditions de stockage correctes, utilisation en intérieur et en extérieur, toutes températures, environnements propres ou poussiéreux	Semestrielle à annuelle
Sévère à continue	Construction de bâtiments commerciaux, pétrole/gaz, industrie minière	Conditions de stockage difficiles, utilisation prolongée ou continue en extérieur, toutes températures, environnements sales	Trimestrielle à semestrielle

**2.8 DISPOSITIFS AUTORÉTRACTABLES ÉQUIPÉS D'ARÊTES VIVES (SRL-LE) :** les dispositifs de sécurité autorétractables présentés dans ce manuel d'utilisation comprennent les dispositifs autorétractables équipés d'arêtes vives (SRL-LE). Voir la figure 1 pour consulter des modèles SRL-LE spécifiques. Les modèles SRL-LE ont été testés pour une utilisation horizontale et des chutes au-dessus d'arêtes en acier sans bavures. Les SRL-LE peuvent être utilisés en cas de chutes au-dessus d'arêtes en acier, comme celles situées sur des formes en acier ou des plaques métalliques.

**Précautions pour les arêtes vives :** prenez les précautions suivantes lors de l'utilisation des SRL-LE :

- L'angle autorisé de redirection pour la ligne de vie du SRL-LE au niveau de l'arête au-dessus de laquelle une chute peut se produire (mesuré entre les deux côtés formés par la ligne de vie redirigée) doit être de 90 degrés minimum (voir la figure 7).
- Le point d'ancrage est situé à la même hauteur que l'arête où un risque de chute est possible, ou à une hauteur supérieure. Les points d'ancrage en dessous de l'arête sont dangereux car ils occasionnent une redirection de la ligne de vie à un angle inférieur à 90 degrés (voir la figure 7).
- Consultez la section 1 pour connaître les limitations à la zone de travail autorisée relatives au point d'ancrage, y compris des facteurs tels que l'effet pendulaire et l'abrasion sur la ligne au niveau de l'arête et l'utilisation d'un point d'ancrage unique par rapport aux ancrages qui permettent un mouvement horizontal (p. ex., ligne de vie horizontale ou rail horizontal).
- Les dispositifs SRL-LE peuvent être utilisés avec une ligne de vie horizontale ou un rail horizontal uniquement conformément aux indications du manuel produit sur la ligne de vie horizontale ou le rail horizontal.
- Ne pas travailler sur le côté extérieur d'une ouverture, à l'opposé du point d'ancrage du SRD.
- En cas de chute au-dessus d'une arête, des mesures de sauvetage spéciales peuvent être requises.
- Lors de la planification de l'application Arêtes vives, assurez-vous que les paramètres de la zone de travail sont compris dans la distance de recul minimale, la distance de chute libre maximale et la distance d'arrêt minimale requise en cas de chute au-dessus d'une arête, comme indiqué sur l'étiquetage du SRL-LE.

**Calcul de la distance d'arrêt sur des arêtes vives :** la distance d'arrêt minimale requise en cas de chute au-dessus d'une arête peut être calculée en fonction de la distance de recul et de la distance sur une arête de votre application Arêtes vives (voir la figure 8). Pour calculer la distance d'arrêt dans le tableau à la figure 8 :

1. Sélectionner la valeur la plus proche de la distance de recul (A) dans les en-têtes de la ligne de gauche.
2. Sélectionner la valeur la plus proche de la distance de travail le long d'une arête (B) dans les en-têtes de la colonne supérieure. Les zones hachurées sans valeur indiquent que la distance le long d'une arête est en dehors de la zone de travail sécurisée pour la distance de recul sélectionnée.
3. La distance d'arrêt requise lors d'une chute au-dessus d'une arête (C) sera la valeur indiquée à l'intersection de la ligne sélectionnée à l'étape 1 et de la colonne sélectionnée à l'étape 2.
4. Reprendre les étapes précédentes pour chaque arête sur laquelle un travailleur risque de tomber pour déterminer le positionnement sécurisé de l'ancrage et le rayon de travail autorisé.

**Définitions des arêtes vives CE :** ces dispositifs autorétractables CE ont été testés avec succès pour une utilisation horizontale et pour les chutes au-dessus d'arêtes en acier sans bavures. Les restrictions relatives à la distance de recul énoncées dans la figure 8 doivent être respectées. Éviter de travailler dans les endroits où la ligne de vie risque de frotter de manière continue ou répétée contre des bords tranchants ou abrasifs. Éliminer ce contact ou protéger les arêtes en utilisant un coussin épais ou d'autres moyens. Les types d'arêtes sont définis comme suit :

**Définition de l'arête de type A VG 11.60 révision 6 :** une arête en acier d'un rayon de 0,5 mm et dépourvue de bavures a été utilisée pour le test. À la suite de ce test, l'équipement peut être utilisé sur des arêtes similaires, que l'on trouve notamment sur les profils d'acier laminé, les poutres en bois ou les parapets gainés ou arrondis.

### 3.0 L'INSTALLATION DE LA PLAQUE

- 3.1 PLANIFICATION** : planifiez le système antichute avant de commencer à travailler. Prenez en compte tous les facteurs susceptibles d'affecter votre sécurité avant, pendant et après une chute. Prendre en considération toutes les exigences et limites définies dans le présent manuel.
- 3.2 ANCRAGE** : la figure 9 présente les connecteurs d'ancrage habituels du dispositif de sécurité autorétractable (SRD). L'ancrage (A) doit être situé directement au-dessus de l'utilisateur de manière à réduire les risques de chute libre ou à effet pendulaire (voir la Section 2). Choisissez un point d'ancrage rigide capable de supporter les charges statiques définies dans la Section 2.2. L'émerillon situé sur le SRD est équipé d'un mousqueton (B). Accrochez le mousqueton directement à la structure d'ancrage (barre d'armature, cornière, etc.), à une fixation universelle (C) ou au point du connecteur d'ancrage (D).
- 3.3 RACCORDEMENT DU HARNAIS** : un harnais intégral doit être utilisé pour les applications antichute. Accrochez le mousqueton (A) de la ligne de vie autorétractable au D d'accrochage dorsal arrière (B) sur le harnais intégral. (Voir la figure 10). Dans certaines situations, comme l'escalade d'une échelle, il peut se révéler utile de l'accrocher au D d'accrochage frontal sternal. Se reporter aux instructions du fabricant du harnais pour connaître les détails relatifs aux points d'accrochage du harnais.
- 3.4 ASSEMBLAGE DU TRÉPIED** : La figure 11 illustre l'installation du dispositif de sécurité autorétractable Rebel avec manivelle de récupération sur un trépied Protecta. Le dispositif SRD-R est installé sur un pied du trépied et la ligne de vie est acheminée via un système de poulie sur la tête du trépied. Consultez les instructions incluses avec le trépied et le support de montage pour obtenir plus de détails.

### 4.0 UTILISATION

Les nouveaux utilisateurs ou les utilisateurs irréguliers des dispositifs de sécurité autorétractables Rebel doivent examiner les « informations de sécurité » au début de ce manuel avant toute utilisation.

- 4.1 AVANT CHAQUE UTILISATION** : Vérifier que votre zone de travail et votre système de protection antichute répondent à tous les critères définis dans les présentes instructions. Vérifier qu'un plan de sauvetage officiel est en place. Inspecter le produit conformément aux consignes d'inspection « Utilisateur » figurant dans le « Journal d'inspection et d'entretien ». Si l'inspection révèle la présence de conditions dangereuses ou défectueuses, ou s'il y a un doute quant à son état pour permettre une utilisation en toute sécurité, mettre immédiatement le produit hors service. Indiquer clairement « NE PAS UTILISER ». Pour plus d'informations, se reporter à la Section 5.
- 4.2 APRÈS UNE CHUTE** : tout équipement ayant été soumis aux forces d'arrêt d'une chute ou qui présente des signes de détérioration correspondant aux effets de la force d'impact décrits dans la section 5 doit être immédiatement mis hors service ; la mention « INUTILISABLE » doit être apposée au dispositif et ce dernier doit être inspecté et entretenu conformément aux indications des sections 5 et 6.
- 4.3 SUPPORT DU CORPS** : un harnais intégral doit être obligatoirement porté lors de l'utilisation des SRD 3M. Pour une protection antichute générale, raccorder le système au D d'accrochage dorsal. Dans certaines situations, comme l'escalade d'une échelle, il peut se révéler utile de l'accrocher au D d'accrochage frontal sternal. Se reporter aux instructions du fabricant du harnais pour connaître les détails relatifs aux points d'accrochage du harnais.
- 4.4 RACCORDEMENT** : En cas d'utilisation d'un connecteur pour établir un raccordement, vérifiez qu'il n'y a pas de risque de retournement (voir la Figure 5). Ne pas utiliser de crochets ou de connecteurs qui ne se ferment pas complètement sur l'élément de fixation. Ne pas utiliser de crochets mousquetons sans blocage. La surface de montage doit être conforme aux exigences de résistance d'ancrage indiquées à la section 2.2. Suivez les instructions du fabricant fournies avec chaque composant du système.
- 4.5 EXPLOITATION** : inspecter le SRD comme décrit dans la section 5. Raccorder le SRD à un point d'ancrage ou à un connecteur d'ancrage approprié, comme indiqué précédemment. Raccorder le crochet mousqueton automatique situé à l'extrémité de la ligne de vie au D d'accrochage dorsal situé sur le harnais intégral (voir la figure 10). Vérifier que toutes les fixations sont compatibles en matière de taille, de forme et de résistance. Vérifier que le crochet est fermé et verrouillé. Une fois attaché, l'ouvrier est libre de circuler à l'intérieur de la zone de travail recommandée à une vitesse normale. Si le bouton de sélection RSQ est en mode « Antichute », le SRD arrête la chute. Si le bouton de sélection RSQ est en mode « Descente », le SRD descendra automatiquement l'utilisateur à un niveau inférieur en cas de chute. Lors de l'utilisation d'un SRD, toujours laisser la ligne de vie s'enrouler de nouveau dans le dispositif sous contrôle. Un câble stabilisateur peut être nécessaire pour dérouler ou rétracter la ligne de vie durant la connexion et la déconnexion. Un câble stabilisateur peut être utilisé pour empêcher la rétraction incontrôlée de la ligne de vie dans le SRD. En fonction de l'environnement et des conditions de travail, il peut être nécessaire de retenir l'extrémité libre du câble stabilisateur afin d'éviter toute interférence ou tout enchevêtrement avec l'équipement ou les machines.
- 4.6 OPÉRATION DE RÉCUPÉRATION** : La figure 12 illustre le fonctionnement de la manivelle de sauvetage intégral du dispositif de récupération SRD-R Rebel. Ne pas essayer de faire fonctionner le système de récupération si la ligne de vie est totalement rétractée. Pour activer le mode Récupération et utiliser la manivelle de sauvetage :
1. Tirer sur la poignée de récupération pour libérer la manivelle.
  2. Faire pivoter à 180° la poignée de récupération du corps du SRD.
  3. Tirer et maintenir le bouton de verrouillage en position débloquée.
  4. Pousser la manivelle et libérer le bouton de verrouillage pour la mettre en position engagée. Si nécessaire, tourner la manivelle dans le sens des aiguilles d'une montre afin de faciliter l'engagement.
  5. Relevez et abaissez la ligne de vie, comme illustré à la figure 12 :
    - A. Pour lever : Tourner la manivelle dans le sens inverse des aiguilles d'une montre.
    - B. Pour abaisser : Tourner légèrement la manivelle dans le sens inverse des aiguilles d'une montre pour libérer le frein antichute, puis tourner la manivelle dans le sens des aiguilles d'une montre.

La manivelle de sauvetage intégral dont disposent les modèles SRD-R de récupération d'urgence avec treuil est uniquement destinée à des fins de sauvetage et ne doit pas être utilisée comme dispositif de positionnement ou de levage ou d'abaissement de matériaux.

Les dispositifs SRD-R Rebel ne sont pas équipés d'un limiteur de surcharge pour restreindre la force exercée sur les composants d'entraînement et la personne attachée. Éviter tout relâchement de la corde pendant le processus de récupération. En outre, veiller à surveiller l'individu pendant la récupération afin de vérifier qu'il n'est pas soumis à une force excessive à la suite de l'élévation continue après un enchevêtrement en raison d'une obstruction.

Une charge minimale de 33,9 kg (75 lb) est requise pour abaisser ou laisser filer la ligne de vie. Une force de 0,13 kN (30 lb) est requise pour actionner le système de récupération lorsqu'il est chargé au maximum de sa capacité.

Arrêter la manivelle lorsque la ligne de vie est totalement déroulée ou rétractée. Ceci évitera d'endommager les composants.

#### 4.7 DÉSENGAGEMENT SUITE À UNE RÉCUPÉRATION : pour désengager le mode Récupération :

Lorsque le mode Récupération est désengagé, la ligne de vie déroulée se rétractera dans le SRD. Pour éviter de provoquer des blessures, rétracter la ligne de vie avant de procéder au désengagement ou accompagner la ligne de vie.

1. Libérer toute charge de la ligne de vie.
2. Tirer et maintenir le bouton de verrouillage en position débloquée.
3. Tirer la manivelle pour désengager la ligne de vie puis libérer le bouton de verrouillage.
4. Tirer et tourner à 180° la poignée de récupération vers le corps du SRD jusqu'à sa position de rangement.

### 5.0 INSPECTION

Une fois l'équipement retiré du service, il ne peut pas être remis en marche avant qu'une personne compétente ne confirme par écrit qu'il est permis de le faire.

- 5.1 FRÉQUENCE D'INSPECTION :** Le produit doit être inspecté par l'utilisateur avant chaque utilisation en plus d'une personne qualifiée autre que l'utilisateur à des intervalles d'un an au plus. Une plus grande fréquence d'utilisation des équipements et des conditions plus difficiles peuvent nécessiter une augmentation de la fréquence des inspections de la personne compétente. La fréquence de ces inspections doit être déterminée par la personne compétente en fonction des conditions propres au lieu de travail.
- 5.2 PROCÉDURES D'INSPECTION :** Inspecter le produit conformément aux procédures figurant dans le « *Journal d'inspection et d'entretien* ». La documentation de chaque inspection doit être conservée par le propriétaire de l'équipement. Un journal d'inspection et d'entretien doit être placé près du produit ou être facilement accessible aux utilisateurs. Il est recommandé de marquer ce produit avec la date de la prochaine inspection ou de la dernière inspection.
- 5.3 DÉFAUTS :** Si le produit ne peut être remis en service en raison d'un défaut existant ou d'une condition dangereuse, il doit alors être détruit ou envoyé à 3M ou à un centre de services agréé par 3M pour être réparé.
- 5.4 DURÉE DE VIE DU PRODUIT :** La durée de vie fonctionnelle du produit est déterminée par les conditions de travail et l'entretien. Le produit peut rester en service tant qu'il répond aux critères d'inspection.

### 6.0 ENTRETIEN, RÉVISION ET STOCKAGE

Les équipements qui ont besoin d'être entretenus ou dont l'entretien est prévu doivent porter la mention « NE PAS UTILISER ». Ces étiquettes pour équipement ne doivent pas être enlevées avant que l'entretien ne soit effectué.

- 6.1 NETTOYAGE :** les procédures de nettoyage du dispositif de sécurité autorétractable sont les suivantes :
- Nettoyer périodiquement l'extérieur du SRD avec de l'eau et un détergent doux. Positionner le SRD de façon à ce que l'eau puisse s'écouler. Nettoyer les étiquettes si nécessaire.
  - Nettoyez la ligne de vie avec de l'eau et un détergent doux. Rincer et faire sécher à l'air libre. Ne pas faire sécher à l'aide d'une source de chaleur. Une accumulation excessive de saleté, de peinture ou d'autres contaminants peut empêcher la ligne de vie de se rétracter complètement dans le carter, entraînant un risque de chute libre. Remplacer la ligne de vie en cas d'accumulation excessive.
- 6.2 RÉVISION :** les procédures supplémentaires d'entretien et de réparation doivent être effectuées par un centre de réparation agréé. Ne pas essayer de démonter le SRD et ne pas lubrifier quelque composant que ce soit.
- 6.3 STOCKAGE ET TRANSPORT :** transporter et ranger le dispositif de sécurité autorétractable dans un endroit frais, propre et sec, à l'abri de la lumière directe du soleil. Éviter les endroits où des vapeurs chimiques peuvent exister. Inspecter soigneusement le SRD après toute période de stockage prolongée.

### 7.0 ÉTIQUETTES

La figure 19 illustre les étiquettes apposées sur les dispositifs de sécurité autorétractables Rebel et leur emplacement. Toutes les étiquettes doivent être présentes sur le SRD. Les étiquettes doivent être remplacées si elles ne sont pas parfaitement lisibles. Les informations présentes sur chaque étiquette sont les suivantes :

A	1) Inspectez le mousqueton et le témoin de chute. 2) Inspectez le verrouillage du dispositif de sécurité autorétractable. 3) Raccordez le ligne de vie du dispositif de sécurité autorétractable à la fixation dorsale arrière du harnais. 4) Applications verticales uniquement. N'ancez jamais le dispositif de sécurité autorétractable en dessous de la fixation dorsale arrière du harnais. 4A) SRD-LE équipé d'arêtes vives requis pour le niveau d'ancrage avec ou en dessous de la fixation dorsale arrière du harnais. 4B) Applications verticales uniquement. N'ancez jamais le dispositif de sécurité autorétractable en dessous de la fixation dorsale arrière du harnais. 5) Plage de température -40 °C à 60 °C 6) Capacité maximale : 140 kg 7) Contrôle de l'enroulement de la ligne de vie dans le SRD. Ne laissez jamais la ligne s'enrouler librement. 8) Travaillez directement en dessous de l'ancrage du dispositif de sécurité autorétractable pour minimiser l'effet pendulaire. 9) N'effectuez pas de réparation. Ce produit doit être entretenu par un centre de réparation agréé. 10) Entrez les dispositifs de sécurité autorétractables dans un endroit frais, sec et propre, à l'abri de la lumière directe du soleil. 11) Ne chargez pas le boîtier du dispositif de sécurité autorétractable sur une arête. 12) N'enlevez pas les étiquettes. 13) Lisez toutes les instructions. 14) Identifiant de l'organisme notifié. 15) Mois de la prochaine inspection 16) Année de la prochaine inspection 17) Année et mois de fabrication 18) Numéro de lot 19) Numéro de modèle 20) Longueur de la ligne de vie 21) Numéro de série
B	Tournez la manivelle dans le sens des aiguilles d'une montre pour abaisser la ligne de vie. Tournez la manivelle dans le sens contraire des aiguilles d'une montre pour élever la ligne de vie.
C	1) Tirez sur la poignée de récupération. 2) Dépliez la poignée de récupération du corps du SRD-R. 3) Tirez et maintenez le bouton de verrouillage. 4) Poussez et tournez la manivelle légèrement dans le sens des aiguilles d'une montre. 5) Libérez le bouton de verrouillage.

**Tableau 3 – Journal d’inspection et d’entretien**

<b>Numéro(s) de série :</b>	<b>Date d’achat :</b>
<b>Numéro de modèle :</b>	<b>Date de la première utilisation :</b>
<b>Inspection par :</b>	<b>Date d’inspection :</b>

<b>Composant :</b>	<b>Inspection :</b>	<b>Utilisateur</b>	<b>Personne compétente</b>
SRD (figure 13)	Vérifiez la présence de boulons desserrés et de pièces pliées ou endommagées.	<input type="checkbox"/>	<input type="checkbox"/>
	Inspectez le carter (A) pour détecter des déformations, fissures ou autres détériorations.	<input type="checkbox"/>	<input type="checkbox"/>
	Inspectez l’émérillon (B) à la recherche d’une déformation, de fissures ou d’autres détériorations. L’émérillon doit être fermement fixé au système SRD, mais doit tourner librement.	<input type="checkbox"/>	<input type="checkbox"/>
	La ligne de vie (C) doit se dérouler et se rétracter entièrement sans difficulté et sans qu’il y ait de mou dans la ligne.	<input type="checkbox"/>	<input type="checkbox"/>
	Vérifiez que le dispositif se bloque lorsque la ligne de vie est secouée violemment. Le blocage doit être franc, sans aucun glissement.	<input type="checkbox"/>	<input type="checkbox"/>
	Les étiquettes doivent être présentes et entièrement lisibles (voir Figure 19).	<input type="checkbox"/>	<input type="checkbox"/>
	Inspectez l’équipement à la recherche de traces de corrosion.	<input type="checkbox"/>	<input type="checkbox"/>
Crochet mousqueton à émerillon et témoin de chute (figure 14)	Inspecter le crochet mousqueton à émerillon pour y détecter des signes de détérioration ou de corrosion et vérifier son fonctionnement. L’émérillon doit pivoter librement. Inspectez le témoin de chute. Si la bandelette rouge est visible (mode indiqué), un impact de charge a eu lieu et le système SRD doit être mis hors service et inspecté. Ne pas tenter de réinitialiser le témoin de chute. Renvoyer le système SRD à un centre de réparation agréé. REMARQUE : L’émérillon ne tourne pas librement lorsque le témoin de chute est en mode indiqué.	<input type="checkbox"/>	<input type="checkbox"/>
Ligne de vie à câble métallique (figure 15)	Vérifier que le câble métallique est exempt de coupures, d’entortillements (A), de fils brisés (B), de nids de fils brisés (C), de projections de soudure (D), de corrosion, de zones de contact chimique ou de zones fortement abrasées. Faites glisser la butée de câble (E) vers le haut et inspectez les bagues (F) pour détecter des fissures ou des dégradations, puis inspectez les câbles pour vérifier l’absence de corrosion ou de câbles brisés. Le câble métallique doit être remplacé si six fils ou plus sont cassés à divers endroits sur un commettage, ou si trois fils ou plus sont cassés sur un toron sur le même commettage. Un « commettage » de câble métallique correspond à la longueur de câble nécessaire pour permettre à un toron (le groupe de câbles le plus grand) de faire un tour le long du câble. Remplacez le câble en cas de déchirures à moins de 25 mm (1 po) des bagues.	<input type="checkbox"/>	<input type="checkbox"/>
Ligne de vie de réserve (figure 16)	Inspecter le défilement de la ligne de vie de réserve. En cas d’arrêt de chute avec la presque totalité de la ligne déroulée, la ligne de réserve peut avoir été déployée. Tirer la ligne de vie hors du dispositif antichute à rappel automatique jusqu’à son arrêt. Si une bandelette rouge (G) est visible, la ligne de vie de réserve a été utilisée et le dispositif doit être renvoyé à un centre de réparation agréé avant toute réutilisation.	<input type="checkbox"/>	<input type="checkbox"/>
Absorbeur d’énergie SRD-LE (figure 17)	Sur les dispositifs autorétractables avec arêtes vives (SRD-LE), vérifier que l’absorbeur d’énergie intégral n’a pas été activé. Aucune sangle ne doit être tirée du capot (A). Le capot doit être fixé et exempt de fissures (B) ou d’autres dommages.	<input type="checkbox"/>	<input type="checkbox"/>
Manivelle de sauvetage intégral pour récupération (figure 18)	Inspecter la manivelle (A) pour détecter les déformations ou autres détériorations. Vérifier que la poignée de récupération (B) peut être repliée et être fixée en position de rotation.	<input type="checkbox"/>	<input type="checkbox"/>
	Vérifier que le bouton de verrouillage de récupération (C) peut être tiré en position de déblocage puis relâché, bloquant la manivelle en positions engagée et désengagée.	<input type="checkbox"/>	<input type="checkbox"/>
	Tester la fonction de récupération pour vérifier son bon fonctionnement en soulevant et en abaissant un poids de test d’au moins 34 kg (75 lb). Lorsque la poignée de récupération est libérée, le poids ne doit pas bouger et la poignée de récupération doit rester en position (aucun mouvement). On doit entendre un « clic » distinct lorsqu’on élève la charge.	<input type="checkbox"/>	<input type="checkbox"/>

<b>Mesures correctives/entretien :</b>	Approuvé par :	Date de l’inspection suivante :
	Date :	
<b>Mesures correctives/entretien :</b>	Approuvé par :	Date de l’inspection suivante :
	Date :	
<b>Mesures correctives/entretien :</b>	Approuvé par :	Date de l’inspection suivante :
	Date :	
<b>Mesures correctives/entretien :</b>	Approuvé par :	Date de l’inspection suivante :
	Date :	
<b>Mesures correctives/entretien :</b>	Approuvé par :	Date de l’inspection suivante :
	Date :	
<b>Mesures correctives/entretien :</b>	Approuvé par :	Date de l’inspection suivante :
	Date :	
<b>Mesures correctives/entretien :</b>	Approuvé par :	Date de l’inspection suivante :
	Date :	
<b>Mesures correctives/entretien :</b>	Approuvé par :	Date de l’inspection suivante :
	Date :	



**Leggere, comprendere e seguire tutte le informazioni sulla sicurezza contenute nelle presenti istruzioni prima di utilizzare questo prodotto. IL MANCATO RISPETTO DELLE ISTRUZIONI PUÒ CAUSARE LESIONI GRAVI O MORTE.**

**Fornire le presenti istruzioni all'utente dell'attrezzatura. Conservare queste istruzioni come riferimento futuro.**

## Utilizzo previsto:

Questo prodotto viene utilizzato come parte di un sistema completo di protezione anticaduta.

L'utilizzo per qualsiasi altra applicazione incluse, ma non solo, manipolazione di materiale, attività correlate ricreative o sportive oppure altre attività non descritte in queste istruzioni, non è approvato da 3M e può causare gravi lesioni personali o morte.

Questo prodotto deve essere utilizzato esclusivamente da utenti addestrati nelle applicazioni relative all'ambito di lavoro.



## AVVERTENZA

Questo prodotto viene utilizzato come parte di un sistema completo di protezione anticaduta. Tutti gli utenti devono essere completamente istruiti sull'installazione e sul funzionamento in sicurezza dell'intero sistema di protezione anticaduta. **L'uso improprio di questo prodotto può comportare lesioni gravi o mortali.** Per le corrette modalità di selezione, funzionamento, installazione, manutenzione e assistenza, fare riferimento a tutti i manuali di istruzione e alle raccomandazioni del produttore. Per ulteriori informazioni, consultare il proprio supervisore o contattare i servizi tecnici 3M.

### Per ridurre i rischi associati all'utilizzo di un dispositivo autoretraibile che, se non evitati, potrebbero causare lesioni personali gravi o mortali:

- Ispezionare il prodotto prima di ogni utilizzo e dopo ogni caduta, secondo le procedure specificate in queste istruzioni.
- Se, a seguito dell'ispezione, viene individuata una condizione di mancata sicurezza o difetto, ritirare immediatamente il prodotto dal servizio e contrassegnarlo con "NON UTILIZZARE". Distruggere o far riparare il prodotto come indicato da queste istruzioni.
- Ogni prodotto che è stato sottoposto all'arresto caduta o a una forza d'impatto deve essere immediatamente rimosso dal servizio. Distruggere o far riparare il prodotto come indicato da queste istruzioni.
- Assicurarsi che i sistemi di protezione anticaduta assemblati con componenti realizzati da produttori diversi siano compatibili e soddisfino tutte le normative, gli standard o i requisiti applicabili. Consultare sempre una persona competente o qualificata prima di utilizzare questi sistemi.
- Assicurarsi che la linea vita non presenti nessuno pericolo, tra cui, ad esempio: aggrovigliamento con gli utenti, con altri lavoratori, macchinari in movimento, altri oggetti circostanti o impatto con oggetti soprastanti che potrebbero cadere sulla linea vita o sugli operatori.
- Non torcere, legare, annodare la linea vita, o lasciare che si allenti.
- Evitare i rischi di inciampo sulle gambe della linea vita. Se in dotazione, fissare le gambe inutilizzate della linea vita agli elementi di fissaggio del cordino di parcheggio.
- Non superare il numero di operatori consentiti come specificato in queste istruzioni.
- Non utilizzare in applicazioni in cui la traiettoria di caduta libera sia ostruita. È necessario un percorso libero per bloccare l'SRD. Il lavoro su materiali a lento spostamento, come sabbia o graniglia, o in spazi stretti o bloccati, può impedire che il lavoratore raggiunga una velocità sufficiente a bloccare l'SRD.
- Evitare movimenti bruschi o rapidi durante le operazioni di lavoro poiché si potrebbe causare il blocco involontario dell'SRD.
- Fare attenzione quando si installa, si utilizza o si sposta il prodotto, poiché alcune parti mobili potrebbero creare punti di schiacciamento.
- Utilizzare un'adeguata protezione dei bordi quando la linea vita può entrare in contatto con bordi taglienti o superfici abrasive.
- Rimuovere immediatamente il prodotto dal servizio se è stato utilizzato in una discesa.
- Prima dell'uso, assicurarsi che il percorso di discesa e l'area di atterraggio siano liberi da ostacoli o pericoli.
- Assicurarsi che il prodotto sia configurato e installato correttamente per un funzionamento sicuro, come descritto in queste istruzioni.

### Per ridurre i rischi associati al lavoro in altezza che, se non evitati, potrebbero causare gravi lesioni personali o morte:

- Le condizioni di salute e fisiche devono consentire il lavoro in altezza in modo sicuro, resistendo a tutte le forze associate a un evento di arresto caduta. Consultare il proprio medico in caso di domande relative alla propria capacità d'uso di questa attrezzatura.
- Non superare mai la capacità consentita della propria attrezzatura di protezione anticaduta.
- Non superare mai la distanza massima di caduta libera specificata per la propria attrezzatura di protezione anticaduta.
- Non utilizzare dispositivi di protezione anticaduta che non superano l'ispezione o in caso di dubbi sull'uso o sull'idoneità dell'attrezzatura. Per eventuali domande, contattare l'assistenza tecnica di 3M.
- Alcune combinazioni di sottosistemi e componenti potrebbero compromettere il funzionamento di questa attrezzatura. Utilizzare solo collegamenti compatibili. Consultare i servizi tecnici 3M prima di utilizzare questa attrezzatura in combinazione con componenti o sottosistemi diversi da quelli descritti in queste istruzioni.
- Prestare particolare attenzione in presenza di macchinari in movimento, rischi di carattere elettrico, temperature estreme, rischi di carattere chimico, gas esplosivi o tossici, bordi taglienti, superfici abrasive o lavoro al di sotto di materiali sospesi che potrebbero cadere sull'utente o sulla sua attrezzatura di protezione anticaduta.
- Assicurarsi che l'uso del prodotto sia classificato per i rischi presenti nel proprio ambiente di lavoro.
- Durante il lavoro in altezza assicurarsi che ci sia uno spazio libero sufficiente per la caduta.
- Non modificare né alterare mai la propria attrezzatura di protezione anticaduta. Solo 3M o le persone con autorizzazione scritta di 3M possono procedere alla riparazione dell'attrezzatura.
- Prima di utilizzare l'attrezzatura di protezione anticaduta, assicurarsi che sia in atto un piano di salvataggio scritto per fornire un primo soccorso in caso di incidente.
- In caso di caduta, fare in modo che il lavoratore caduto sia sottoposto immediatamente alle cure di un medico.
- Utilizzare solo un'imbracatura completa per le applicazioni anticaduta. Non utilizzare una cintura per il corpo.
- Ridurre al minimo le cadute con pendolo lavorando il più possibile direttamente sotto il punto di ancoraggio.
- Durante la formazione con questo prodotto è necessario utilizzare un sistema di protezione anticaduta secondario. Chi segue la formazione non deve essere esposto al rischio di caduta involontaria.
- Quando si installa, utilizza o ispeziona il prodotto, indossare sempre gli opportuni dispositivi di protezione personale.
- Non lavorare mai sotto un operatore o un carico sospeso.
- Mantenere sempre il 100% di fissaggio.

Prima di utilizzare l'attrezzatura, registrare le informazioni di identificazione del prodotto dall'etichetta identificativa nel "Registro di ispezione e manutenzione" che si trova sul retro del presente manuale.

Assicurati sempre di utilizzare l'ultima revisione del Manuale di istruzioni di 3M. Visitare il sito Web 3M o contattare l'assistenza tecnica 3M per i manuali di istruzioni aggiornati.



## DESCRIZIONE:

Nella figura 2 sono illustrati i principali componenti dei dispositivi autoretrattili Protecta Rebel. Gli SRD Rebel sono funi metalliche di sicurezza avvolte su un tamburo (C) che si ritirano in un alloggiamento in materiale termoplastico o alluminio (B). Pendono da un ancoraggio mediante un moschettone fissato sulla parte superiore dell'SRD tramite l'occhiello girevole (C). Un connettore a doppia leva autobloccante (D) all'estremità della linea vita si aggancia al collegamento progettato per l'arresto caduta sull'imbracatura integrale. Un paracolpi (E) protegge da abrasione e corrosione la fune metallica e le ghiere metalliche che fissano il connettore a doppia leva.

Nella figura 1 sono riportati i modelli dei dispositivi autoretrattili Rebel trattati nel presente manuale di istruzioni. Sono disponibili i seguenti tipi di SRD:

- **Dispositivo retrattile (Figura 2A):** i dispositivi autoretrattili (Self-Retracting Devices, SRD) sono ideati per applicazioni in cui la linea vita rimane in genere in posizione verticale durante il suo uso e la possibilità di caduta libera è limitata a 0,6 m (2 piedi).
- **Dispositivo autoretrattile con bordo avanzato (Figura 2B):** i dispositivi autoretrattili con bordo avanzato (Self-Retracting Devices with Leading Edge, SRD-LE) sono ideati per applicazioni in cui la linea vita rimane in genere in posizione orizzontale durante il suo uso e la possibilità di caduta libera è limitata a 1,5 m (5 piedi). Gli SRD-LE presentano un assorbitore d'energia integrato (f) o un componente simile, per resistere al carico di impatto della linea vita su un bordo tagliente o abrasivo durante l'arresto caduta e per ridurre al minimo le forze d'arresto caduta sull'utente.
- **Dispositivo autoretrattile con salvataggio (Figura 2C):** I dispositivi autoretrattili con salvataggio (SRD-R) includono un mezzo integrale per il soccorso assistito, sollevando o abbassando il soggetto da soccorrere. Le SRD-R sono dotate di una manovella a 3 vie per il recupero di emergenza (G). Alcuni modelli possono includere una staffa di montaggio da treppiede (H) per montare l'SRD-R sulla gamba di un treppiede per applicazioni in spazi confinati.

Table 1 – Specifiche

				
Semiguscio di custodia	Materiale			
9508320 + 9520047	Alluminio - 15 m (50 piedi) SRD-R			
9511070 + 9511071	Termoplastica - 6 m (20 piedi) SRD, 10 m (33 piedi) SRD, e 6 m (20 piedi) SRD-LE con bordo avanzato			
9520021 + 9520022	Alluminio - 6 m (20 piedi) e 10 m (33 piedi) SRD			
9520044 + 9520045	Termoplastica - 15 m (50 piedi) SRD e 10 m (33 piedi) SRD-LE con bordo avanzato			
9520046 + 9520047	Alluminio - 15 m (50 piedi) SRD			
9520056 + 9520057	Termoplastica - 20 m (66 piedi), 25 m (82 piedi), 30 m (100 piedi) SRD			
9520058 + 9520059	Alluminio - 20 m (66 piedi), 25 m (82 piedi) e 30 m (100 piedi) SRD			
				Gancio
Linea vita	Descrizione			
9501087 + 2000175	Fune in acciaio zincato da 5,56 mm (7/32 in.), moschettone girevole autobloccante in lega d'acciaio con indicatore.	2000175		
9501479 + 2000175	Fune in acciaio zincato da 4,76 mm (3/16 in.), moschettone girevole autobloccante in lega d'acciaio con indicatore.	2000175		
9501613 + 2000170	Fune in acciaio inossidabile da 4,76 mm (3/16 di pollice), moschettone girevole autobloccante in acciaio inossidabile con indicatore	2000170		
9501613 + 2000175	Fune in acciaio inossidabile da 4,76 mm (3/16 in.), moschettone girevole autobloccante in lega d'acciaio con indicatore.	2000175		
9501613 + 2100044	Fune in acciaio inossidabile da 4,76 mm (3/16 in.), moschettone girevole autobloccante in lega d'acciaio con indicatore.	2100044		
Gancio	Descrizione	Materiale	Resistenza chiusura	Distanza tra i bracci
2000170	Moschettone girevole autobloccante con indicatore di impatto	Acciaio inossidabile	16 kN (3.600 lbf)	1,9 cm (0,75 pollici)
2000175	Gancio a doppia leva girevole autobloccante con indicatore di caduta	Acciaio zincato	16 kN (3.600 lbf)	1,9 cm (0,75 pollici)
2100044	Gancio a doppia leva girevole autobloccante con indicatore di caduta	Acciaio inossidabile	16 kN (3.600 lbf)	1,9 cm (0,75 pollici)

**Table 1 – Specifiche**

<b>Resistenza alla trazione della linea vita metallica:</b>	9501479 - Diam. 4,76 mm (3/16 poll.) in acciaio zincato Min. Resistenza alla trazione 18,7 kN (4.200 lbf) 9501613 - Diam. 4,76 mm (3/16 pollici) in acciaio inossidabile Min. Resistenza alla trazione 16,0 kN (3.600 lbf) 9501087 - Diam. 5,55 mm (7/32 poll.) in acciaio zincato Min. Resistenza alla trazione 24,9 kN (5.600 lbf)
<b>Carico di sollevamento massimo SRD-R:</b>	135 kg (298 lb)
<b>Forza di ancoraggio</b>	12 kN (2,697 lbf)

<b>Specifiche SRD</b>	<b>Modelli CE (EN 360)</b>
<b>Intervallo di capacità:</b>	59 kg - 140 kg (130 libbre - 310 libbre)
<b>Forza di arresto massima:</b>	6 kN (1.350 lbf)
<b>Forza di arresto media:</b>	4,0 kN (900 lbf)
<b>Distanza di arresto massima:</b> <i>*Presuppone che l'SRD sia stato montato direttamente sopra l'utente.</i>	1,1 m (42 pollici)
<b>Spazio di caduta minimo richiesto:</b> <i>*Presuppone che l'SRD sia stato montato direttamente sopra l'utente.</i>	1,8 m (6 piedi)
<b>Distanza massima di caduta libera:</b> <i>*L'SRD deve essere montato sopra l'anello a D dell'utente.</i>	0,6 m (2 piedi)

<b>Specifiche SRD-LE</b>	<b>Modelli CE (EN 360 + CNB / P / 11.060)</b>
<b>Intervallo di capacità:</b>	59 kg - 140 kg (130 libbre - 310 libbre)
<b>Forza di arresto massima:</b>	6 kN (1.350 lbf)
<b>Forza di arresto media:</b>	4 kN (900 lbf)
<b>Distanza di arresto massima:</b> <i>*Presuppone che l'SRD sia stato montato direttamente sopra l'utente.</i>	1,1 m (42 pollici)
<b>Spazio di caduta minimo richiesto:</b>	Verticale: 1,8 m (6 piedi) Orizzontale: 5,03 m (16,5 piedi)
<b>Distanza massima di caduta libera:</b> <i>*L'SRD deve essere montato sopra l'anello a D dell'utente.</i>	0,6 m (2 piedi)
<b>Distanza massima di caduta libera- LE:</b> <i>*Misurato dall'anello a D dell'utente alla superficie di lavoro.</i>	1,5 m (5 piedi)

## 1.0 APPLICAZIONI

- 1.1 FINALITÀ:** i dispositivi autoretrattili (SRD) 3M sono ideati per far parte di un sistema di protezione anticaduta. La Figura 1 illustra gli SRD trattati in questo manuale di istruzioni e le loro applicazioni tipiche. Possono essere utilizzati nella maggior parte delle situazioni in cui sia necessario assicurare sia la mobilità del lavoratore sia la protezione anticaduta (lavoro di ispezione, costruzioni, manutenzione, produzione petrolifera, lavoro in spazi confinati e così via).
- 1.2 STANDARD:** l'SRD è conforme agli standard nazionali segnalati nella copertina di queste istruzioni. Se l'articolo viene rivenduto al di fuori del Paese di destinazione originario, il rivenditore dovrà fornire le presenti istruzioni nella lingua del Paese in cui dovrà essere utilizzato l'articolo.
- 1.3 FORMAZIONE:** l'attrezzatura deve essere utilizzata da operatori adeguatamente addestrati per il suo corretto impiego ed uso. È responsabilità dell'utente garantire l'approfondimento delle presenti istruzioni e la formazione in merito alla corretta manutenzione e all'utilizzo dell'attrezzatura. L'utente deve inoltre essere a conoscenza delle caratteristiche operative, dei limiti di applicazione e delle conseguenze derivanti da un uso improprio.
- 1.4 LIMITAZIONI:** considerare sempre le seguenti limitazioni e i seguenti requisiti durante l'installazione o l'utilizzo del dispositivo:
- **Capacità:** questo SRD è stato collaudato ed è risultato conforme per essere utilizzato da una persona con un peso combinato (abbigliamento, utensili e così via) da 59 kg (130 libbre) a 140 kg (310 libbre).<sup>1</sup> Verificare che tutti i componenti del sistema siano stati omologati per sostenere una capacità conforme all'applicazione.
  - **Ancoraggio:** i requisiti di ancoraggio variano in base all'applicazione della protezione anticaduta: struttura su cui è collocato o montato il connettore d'ancoraggio che deve rispondere alle specificazioni di ancoraggio definite nella Tabella 1.
  - **Velocità di arresto:** evitare situazioni che non consentano una traiettoria di caduta libera. Lavorare in spazi stretti o bloccati potrebbe impedire il raggiungimento della velocità di arresto adeguata dell'SRD in caso di caduta. Lavorare su materiali a lento spostamento, come sabbia o sementi, potrebbe impedire il raggiungimento della velocità di arresto adeguata per bloccare l'SRD. È necessaria una traiettoria sgombra per garantire l'efficacia dell'arresto dell'SRD.
  - **Caduta libera:** L'utilizzo appropriato di un SRD in applicazioni in sospensione ridurrà al minimo la distanza di caduta libera. Per evitare un aumento della distanza di caduta libera, seguire le istruzioni riportate di seguito:
    - Mai bloccare, annodare oppure ostacolare in alcun modo la fune dispositivo nel movimento retrattile o nella tensione.
    - Evitare allentamenti della fune dispositivo dell'SRD.
    - Non lavorare al di sopra del livello di ancoraggio.
    - Non allungare gli SRD collegando un cordino o un componente simile senza aver consultato 3M.

Per informazioni specifiche del prodotto relative ai valori di caduta libera e di tirante d'aria di caduta, fare riferimento alla Tabella 1 di queste istruzioni.

- **Cadute con pendolo:** le cadute con pendolo si verificano quando il punto di ancoraggio non è esattamente al di sopra del punto in cui si verifica la caduta. La forza d'urto contro un oggetto durante una caduta con pendolo può causare lesioni gravi (vedere la Figura 3A). Ridurre al minimo le cadute con pendolo lavorando il più possibile direttamente sotto il punto di ancoraggio (Figura 3B). Lavorare lontano dal punto di ancoraggio (Figura 3C) aumenterà l'impatto di una caduta con pendolo e aumenterà il tirante d'aria di caduta (Fall Clearance, FC) richiesto.
- **Tirante d'aria di caduta:** la Figura 3B mostra il calcolo del tirante d'aria di caduta. Il tirante d'aria di caduta (FC) è la somma della caduta libera (Free Fall, FF), la distanza di decelerazione (DD) e il fattore di sicurezza (Safety Factor, SF):  $FC = FF + DD + SF$ . Nel fattore di sicurezza sono inclusi lo scorrimento dell'anello a D e il cedimento dell'imbracatura. I valori del tirante d'aria di caduta sono stati calcolati e riportati nella Figura 4. Per tutti i valori della Figura 4 è stato utilizzato un fattore di sicurezza di 1 m (3,28 piedi).  
Le Figure 3B e 3C illustrano un tirante d'aria di caduta. Per cadute da una posizione eretta dove l'SRD è ancorato direttamente al di sopra della testa (Figura 3B), i sistemi d'arresto caduta dell'SRD devono avere i tiranti d'aria di caduta minimi specificati nella Tabella 1. Per le cadute da posizione inginocchiata o accovacciata, sarà necessario prevedere 1 m (3 piedi) in più di tirante d'aria di caduta. In caso di caduta con pendolo (Figura 3C), lo spazio di caduta verticale totale sarà maggiore rispetto a una caduta direttamente al di sotto del punto di ancoraggio e potrebbe essere necessario un tirante d'aria di caduta aggiuntivo. La Figura 4 e la relativa tabella definiscono il raggio di lavoro massimo (C) per diverse altezze di ancoraggio dell'SRD (A) e tiranti d'aria di caduta (B). La zona di lavoro raccomandata è limitata all'area ubicata entro il raggio di lavoro massimo.
- **Rischi:** l'utilizzo di questa attrezzatura in aree soggette a pericoli dell'ambiente circostante può richiedere precauzioni aggiuntive per ridurre la possibilità di lesioni per l'utente o danni all'attrezzatura. Tra i rischi possono essere compresi i seguenti, pur non limitandosi a questi: calore elevato, sostanze chimiche caustiche, ambienti corrosivi, linee ad alta tensione, gas tossici o esplosivi, macchinari in movimento o materiali sospesi che possono cadere ed entrare in contatto con l'utente o con il sistema d'arresto caduta. Evitare di lavorare in punti in cui la propria fune dispositivo potrebbe incrociarsi o aggrovigliarsi con quello di un altro lavoratore. Evitare di lavorare in luoghi dove potrebbero cadere degli oggetti e colpire la fune dispositivo, causando perdita di equilibrio o danni alla fune stessa. Non permettere alla fune dispositivo di passare sotto le braccia o tra le gambe.
- **Bordi taglienti:** evitare di operare in posizioni in cui la fune dispositivo potrebbe entrare in contatto con o essere raschiata da bordi taglienti esposti. Se il contatto con un bordo tagliente è inevitabile, rivestire il bordo con materiale protettivo.

## 2.0 USO

- 2.1 PIANO DI SALVATAGGIO:** durante l'utilizzo della presente attrezzatura, l'utente deve disporre di un piano di salvataggio, nonché dei mezzi per implementarlo. Deve inoltre comunicare tale piano a utenti, persone autorizzate e soccorritori.
- 2.2 FREQUENZA DI ISPEZIONE:** prima di ogni uso, gli SRD devono essere ispezionati dalla persona autorizzata<sup>2</sup> o dal soccorritore<sup>3</sup> (vedere la Tabella 2). Inoltre, le ispezioni devono essere condotte con periodicità non superiore a un anno da una persona competente<sup>4</sup> che non sia l'utente. Condizioni di lavoro estreme (ambiente proibitivo, uso prolungato e così via) possono richiedere ispezioni più frequenti da parte della persona competente. Le procedure di ispezione sono descritte nella sezione "Registro di ispezione e manutenzione" (Tabella 3). I risultati dell'ispezione effettuata da una persona competente devono essere registrati nella sezione "Registro di ispezione e manutenzione" o registrati con il sistema RFID.
- 2.3 NORMALE FUNZIONAMENTO:** il normale funzionamento consentirà alla fune dispositivo di estendersi e ritrarsi senza esitazioni o senza allentamenti durante il movimento del lavoratore a velocità normali. Qualora si verificasse una caduta, si attiverà un sistema di frenata con

<sup>1</sup> **Capacità:** Gli SRD con recupero a 3 vie sono omologati per carico di sollevamento massimo di 135 kg (298 libbre).

<sup>2</sup> **Persona autorizzata:** una persona incaricata dal datore di lavoro di svolgere delle mansioni in un luogo in cui la persona sarà esposta a pericolo di caduta.

<sup>3</sup> **Soccorritore:** persona o persone diverse dal soggetto a rischio che agiscono per compiere un salvataggio assistito tramite il funzionamento di un sistema di salvataggio.

<sup>4</sup> **Persona competente:** individuo designato dal datore di lavoro come responsabile della diretta supervisione, implementazione e monitoraggio del piano di protezione dalle cadute dei dipendenti. Individuo che, grazie a formazione e conoscenza, è in grado di individuare, valutare e affrontare i pericoli di caduta potenziali ed esistenti e che ha l'autorizzazione del datore di lavoro di mettere prontamente in atto azioni correttive nei confronti di tali pericoli.

senso di velocità arrestando la caduta e assorbendo la maggior parte dell'energia creata. Sono da evitare movimenti rapidi o improvvisi durante le normali operazioni lavorative, poiché ciò può causare la chiusura dell'SRD. Per le cadute in prossimità della fine della corsa della fune dispositivo, è stato incorporato un assorbitore d'energia o un sistema con fune dispositivo di riserva per ridurre le forze d'arresto caduta. Se l'SRD è stato soggetto a forze d'arresto caduta: metterlo immediatamente fuori servizio, contrassegnarlo o etichettarlo come "INUTILIZZABILE", eseguire un'ispezione e la manutenzione seguendo le istruzioni riportate nelle Sezioni 5 e 6.

- 2.4 SUPPORTO PER IL CORPO:** utilizzare un'imbracatura integrale con il dispositivo retrattile. Il punto di collegamento dell'imbracatura deve trovarsi al di sopra del centro di gravità dell'utente. L'uso di una cintura in vita non è autorizzato con il dispositivo retrattile. In caso di caduta quando si utilizza una cintura in vita, è possibile che si verifichi il rilascio involontario o un trauma fisico causato dall'uso di supporto per il corpo non adeguato.
- 2.5 COMPATIBILITÀ DEI COMPONENTI:** salvo laddove diversamente indicato, l'attrezzatura 3M è progettata solo per l'utilizzo con componenti e sottosistemi approvati da 3M. Eventuali sostituzioni con componenti o sottosistemi non approvati potrebbero compromettere la compatibilità dell'attrezzatura, nonché la sicurezza e l'affidabilità di tutto il sistema. Seguire le istruzioni del produttore per i componenti e i sottosistemi in dotazione nel sistema d'arresto caduta personale utilizzato.
- 2.6 COMPATIBILITÀ DEI CONNETTORI:** i connettori sono considerati compatibili con gli elementi di collegamento quando sono progettati per essere utilizzati in modo che le rispettive forme e dimensioni non causino l'apertura involontaria dei meccanismi di chiusura, indipendentemente dal modo in cui si orientano. In caso di dubbi sulla compatibilità, contattare 3M.

I connettori utilizzati per la sospensione dell'SRD devono essere conformi alla normativa EN362. I connettori devono essere compatibili con l'ancoraggio o altri componenti del sistema. Non utilizzare attrezzatura non compatibile. I connettori non compatibili potrebbero sganciarsi involontariamente (vedere la Figura 5). I connettori devono essere compatibili per dimensioni, forma e potenza. I ganci a doppia leva e i moschettoni autobloccanti sono obbligatori. Se l'elemento di collegamento a cui è agganciato un gancio a doppia leva o un moschettone ha una forma irregolare o le dimensioni sono inferiori a quanto necessario, l'elemento di collegamento potrebbe applicare una forza al dispositivo di chiusura del gancio a doppia leva o del moschettone (A). Tale forza potrebbe indurre l'apertura del dispositivo di chiusura (B) e, di conseguenza, il gancio a doppia leva o il moschettone potrebbe sganciarsi dal punto di collegamento (C).

- 2.7 REALIZZAZIONE DEI COLLEGAMENTI:** i ganci a doppia leva e i moschettoni utilizzati con questa attrezzatura devono disporre di un meccanismo di autobloccaggio. Assicurarsi che tutti i connettori siano di dimensioni, forma e resistenza compatibili. Non utilizzare attrezzatura non compatibile. Assicurarsi che tutti i connettori siano completamente chiusi e bloccati. I connettori 3M (ganci a doppia leva e moschettoni) sono progettati solo per l'utilizzo specificato nelle istruzioni per l'utente di ciascun articolo. Vedere la Figura 6 per esempi di collegamenti non appropriati. Non collegare i ganci a doppia leva e i moschettoni:
- A un anello a D a cui è collegato un altro connettore.
  - In modo tale da indurre un carico sul dispositivo di chiusura. Non collegare ganci a doppia leva con ampia distanza tra i bracci ad anelli a D di dimensioni standard oppure oggetti simili in modo da indurre un carico sul dispositivo di chiusura in caso di torsione o rotazione del gancio o dell'anello a D, a meno che il gancio a doppia leva non sia dotato di dispositivo di chiusura da 16 kN (3.600 libbre). Controllare la marcatura sul proprio gancio a doppia leva per verificarne l'idoneità per l'applicazione prevista.
  - In un falso aggancio, dove gli elementi che sporgono dal gancio a doppia leva o dal moschettone si agganciano all'ancoraggio e senza conferma visiva che attesti il completo aggancio al punto di ancoraggio.
  - L'uno all'altro.
  - Direttamente al cordino con fune o con nastro o con collegamento diretto, a meno che le istruzioni del produttore relative al cordino e al connettore non consentano specificatamente tale collegamento.
  - A qualsiasi oggetto di forma o dimensione tale da impedire la chiusura e il blocco del gancio a doppia leva o del moschettone o da causare lo sganciamento.
  - In un modo che non consenta al connettore di allinearsi correttamente quando sotto carico.

**Tabella 2 - Programma di ispezione**

Tipo di utilizzo	Esempi applicativi	Condizioni d'uso	Frequenza di ispezione
			Persona competente
Da non frequente a leggero	Recupero e spazio limitato, manutenzione in fabbrica	Buone condizioni di stoccaggio, utilizzo in ambiente chiuso o aperto non frequente, temperatura ambiente, ambienti puliti	Annuale
Da moderato a pesante	Trasporti, edilizia residenziale, pubblica utilità, magazzino	Condizioni di stoccaggio adeguate, utilizzo in ambienti chiusi e all'esterno per un periodo di tempo prolungato, differenti temperature, ambienti più o meno puliti	Da semestrale a annuale
Da grave a continuo	Edilizia commerciale, petrolio e gas, attività mineraria	Condizioni di stoccaggio estreme, utilizzo in ambienti aperti prolungato o continuo, differenti temperature, ambienti sporchi	Da trimestrale a semestrale

**2.8 DISPOSITIVI AUTORETRATTILI CON BORDO AVANZATO (SRL-LE):** gli SRD trattati in questo manuale di istruzioni includono i dispositivi autoretrattili con bordo avanzato (SRL-LE). Per i modelli SRL-LE specifici, vedere la Figura 1. Gli SRL-LE sono stati collaudati per l'uso orizzontale e per cadute da un bordo in acciaio senza sbavature. Gli SRL-LE possono essere utilizzati in situazioni in cui può verificarsi una caduta da bordi in acciaio, come quelli di profili di acciaio o strutture di metallo.

**Precauzioni per il bordo avanzato:** osservare le seguenti precauzioni durante l'uso di SRL-LE:

- L'angolo di ridirezione consentito della porzione di linea vita dell'SRL-LE sul bordo da cui potrebbe verificarsi una caduta (misurato tra i due lati formati dalla linea vita ridirezionale) deve essere di almeno 90 gradi (vedere Figura 7).
- Il punto di ancoraggio deve essere situato alla stessa altezza del bordo da cui potrebbe verificarsi una caduta oppure al di sopra di esso. I punti di ancoraggio al di sotto del bordo sono pericolosi perché causano la ridirezione della linea vita con un angolo acuto minore di 90 gradi (vedere la Figura 7).
- Consultare la Sezione 1 per le limitazioni all'area di lavoro consentita rispetto al punto di ancoraggio, inclusi fattori come caduta con pendolo e abrasione sulla linea al bordo e l'uso di un punto di ancoraggio singolo rispetto ad ancoraggi che permettono un movimento orizzontale (ad es. la linea vita orizzontale o il binario orizzontale).
- Gli SRL-LE possono essere utilizzati con una linea vita orizzontale o un binario orizzontale solo come indicato nelle istruzioni del prodotto per la linea vita orizzontale o il binario orizzontale.
- Non lavorare sul lato più lontano di un'apertura, opposto al punto di ancoraggio dell'SRD.
- In caso di caduta dal bordo, possono essere richieste delle misure speciali di salvataggio.
- Durante la pianificazione dell'applicazione su bordo avanzato, assicurarsi che i parametri dell'area di lavoro rispettino la distanza di battuta d'arresto minima, la distanza massima della caduta libera e il tirante d'aria di caduta minimo richiesto per le cadute da un bordo, come indicato sull'etichetta dell'SRL-LE.

**Calcolo del tirante d'aria di caduta per bordo avanzato:** il tirante d'aria di caduta minimo richiesto per le cadute da un bordo può essere calcolato in base alla distanza di battuta d'arresto e alla distanza lungo il bordo dell'applicazione su bordo avanzato (vedere la Figura 8). Per calcolare il tirante d'aria di caduta dalla tabella della Figura 8:

1. Selezionare il valore più vicino alla distanza di battuta d'arresto (A) nelle intestazioni delle righe sul lato sinistro.
2. Selezionare il valore più vicino alla distanza di lavoro lungo il bordo (B) dalle intestazioni delle colonne in alto. Le aree ombreggiate senza valori indicano che la distanza lungo il bordo è fuori dal raggio di lavoro in sicurezza per la distanza di battuta d'arresto selezionata.
3. Il tirante d'aria richiesto quando si cade da un bordo (C) sarà il valore indicato all'intersezione della riga selezionata nel passaggio 1 e della colonna selezionata nel passaggio 2.
4. Ripetere i passaggi indicati in precedenza per ogni bordo da cui il lavoratore potrebbe cadere, al fine di determinare il posizionamento sicuro dell'ancoraggio e il raggio di lavoro consentito.

**Definizioni CE per bordi taglienti:** questi dispositivi autoretrattili sono stati collaudati con esito positivo per l'uso orizzontale e per cadute su un bordo in acciaio senza sbavature. È necessario osservare i limiti di distanza della battuta d'arresto indicati nella Figura 8. Evitare di lavorare in luoghi dove la linea vita viene continuamente a contatto o ripetutamente a contatto con bordi abrasivi o taglienti. Eliminare tali contatti o proteggere i bordi utilizzando un'imbottitura pesante o altri mezzi. I tipi di bordo sono definiti come segue:

**VG 11.60 revisione 6 Definizione del bordo di Tipo A:** per il collaudo è stato utilizzato un bordo in acciaio con raggio pari a  $r=0,5$  mm privo di sbavature. In base a questo collaudo, l'attrezzatura può essere utilizzata per bordi simili come, ad esempio, nei profili in acciaio laminato a caldo, nelle travi in legno o nei parapetti rivestiti o arrotondati.

### 3.0 DELLA PIASTRA

- 3.1 PIANIFICAZIONE:** Pianificare il sistema di protezione anticaduta prima di iniziare i lavori. Considerare tutti i fattori che possono influire sulla propria sicurezza prima, durante e dopo una caduta. Prendere in considerazione tutti i requisiti e le limitazioni definiti nel presente manuale.
- 3.2 ANCORAGGIO:** la Figura 9 mostra i tipici connettori d'ancoraggio dell'SRD. L'ancoraggio (A) deve essere direttamente al di sopra per ridurre i rischi di caduta libera e di caduta con pendolo (vedere la Sezione 2). Selezionare un punto di ancoraggio rigido capace di sostenere i carichi statici come descritto nella Sezione 2.2. L'occhiello girevole sull'SRD è dotato di un moschettone (B). Attaccare il moschettone direttamente alla struttura di ancoraggio (tondini a barre, angolare in ferro, ecc.), a un adattatore per connessione (C) o a un punto di connessione di ancoraggio (D).
- 3.3 CONNESSIONE CON IMBRACATURA:** per applicazioni di arresto caduta è necessaria un'imbracatura integrale. Collegare il gancio a doppia leva (A) della fune dispositivo dell'SRD all'attacco dorsale a D (B) dell'imbracatura integrale. (Vedere la Figura 10). Per i casi di salita su scale, può essere utile collegare l'anello a D sternale anteriore. Consultare le istruzioni del produttore dell'imbracatura per dettagli sull'uso dei punti di connessione dell'imbracatura.
- 3.4 MONTAGGIO SU TREMPIEDE:** La Figura 11 illustra l'installazione del dispositivo autoretrattile Rebel con manovella di recupero su un treppiede Protecta. Il dispositivo SRD-R è montato su una gamba del treppiede e la fune dispositivo è instradata tramite un sistema di pulegge sulla testa del treppiede. Per informazioni, vedere le istruzioni incluse con il treppiede e la staffa di montaggio.

### 4.0 USO

*Coloro che utilizzano per la prima volta i dispositivi autoretrattili (SRD) Rebel o non li utilizzano di frequente devono rivedere le informazioni sulla sicurezza all'inizio di questo manuale prima di utilizzare l'SRD.*

- 4.1 PRIMA DI CIASCUN UTILIZZO:** Verificare che l'area di lavoro e il sistema di protezione anticaduta soddisfino tutti i criteri definiti in queste istruzioni. E che sia messo in atto un piano formale di salvataggio. Ispezionare il prodotto in base ai punti di ispezione "Operatore" indicati nel "Registro di ispezione e manutenzione". Se l'ispezione rivela una condizione poco sicura o difettosa, o in caso di dubbi sulle sue condizioni d'uso in sicurezza, rimuovere immediatamente il prodotto dal servizio. Apporre un'etichetta che indichi in modo chiaro "NON USARE". Per ulteriori informazioni, consultare la Sezione 5.
- 4.2 DOPO UNA CADUTA:** qualsiasi attrezzatura che sia stata sottoposta alle forze collegate all'arresto di caduta o che mostri danni coerenti con l'effetto delle forze di arresto caduta, come descritto nella Sezione 5, deve essere immediatamente ritirata dalla manutenzione, contrassegnata come "INUTILIZZABILE", ispezionata e sottoposta a manutenzione come disposto nelle Sezioni 5 e 6.
- 4.3 SUPPORTO PER IL CORPO:** quando si utilizzano i dispositivi SRD 3M, è necessario indossare un'imbracatura integrale. Per usi generali di protezione anticaduta, collegare l'attacco dorsale a D. Per i casi di salita su scale, può essere utile collegare l'anello a D sternale anteriore. Consultare le istruzioni del produttore dell'imbracatura per dettagli sull'uso dei punti di connessione dell'imbracatura.
- 4.4 REALIZZAZIONE DEI COLLEGAMENTI:** Quando si utilizza un gancio per fare una connessione, verificare che non vi siano fuoriuscite (vedere la Figura 5). Non utilizzare ganci o connettori che non si chiudono completamente sopra gli oggetti da agganciare. Non utilizzare ganci a doppia leva privi di bloccaggio. La superficie di montaggio deve soddisfare i requisiti di forza dell'ancoraggio riportati nella Sezione 2.2. Rispettare le istruzioni fornite dal produttore con ogni componente del sistema.
- 4.5 NORMALE USO:** ispezionare l'SRD come descritto nella Sezione 5.0. Collegare l'SRD a un ancoraggio o un connettore d'ancoraggio adatto, come descritto in precedenza. Collegare il gancio a scatto autobloccante sull'estremità della linea vita all'attacco dorsale a D dell'imbracatura integrale (vedere la Figura 10). Verificare che le connessioni siano compatibili per dimensioni, forma e resistenza. Assicurarsi che il gancio sia perfettamente chiuso e bloccato. Una volta attaccato, l'operatore è libero di spostarsi all'interno dell'area di lavoro consigliata a velocità normale. Se la manopola di selezione RSQ è impostata su "Arresto caduta", l'SRD arresterà la caduta. Se la manopola di selezione RSQ è impostata su "Discesa", l'SRD scenderà automaticamente a un livello inferiore quando avviene una caduta. Quando si lavora con un dispositivo SRD, consentire sempre alla linea vita di riavvolgersi nel dispositivo sotto controllo. Può essere necessario un cavo di controvento per estendere o ritrarre la linea vita durante le operazioni di connessione e disconnessione. Un cavo di controvento può essere utilizzato per prevenire una ritrazione incontrollata della linea vita nell'SRD. A seconda dell'ambiente e delle condizioni di lavoro, può essere necessario trattenere l'estremità libera del cavo di controvento per evitare grovigli o interferenze con altre attrezzature o macchinari.
- 4.6 FUNZIONAMENTO DI RECUPERO:** La Figura 12 illustra il funzionamento della manovella integrata di salvataggio sul dispositivo di recupero SRD-R Rebel. Non provare ad azionare il recupero con il cavo di sicurezza completamente ritratto. Per attivare la modalità di recupero e utilizzare la manovella di salvataggio:
1. Disimpegnare l'impugnatura di recupero per rilasciare il braccio della manovella.
  2. Ruotare l'impugnatura di recupero verso l'alto di 180° rispetto al corpo dell'SRD.
  3. Tirare e tenere ferma la manopola di regolazione in posizione non bloccata.
  4. Per innestarlo, spingere il braccio della manovella e rilasciare la manopola di regolazione. Se necessario, ruotare il braccio della manovella in senso orario per aiutare a innestare l'ingranaggio.
  5. Alzare e abbassare la fune dispositivo come mostrato nella figura 12:
    - A. Per alzare: ruotare il braccio della manovella in senso antiorario.
    - B. Per abbassare: Muovere leggermente il braccio della manovella in senso antiorario per rilasciare il freno di arresto caduta, quindi girare il braccio della manovella in senso orario.

*La manovella di salvataggio integrata nei modelli SRD-R di recupero d'emergenza a 3 vie è utilizzabile unicamente in caso di salvataggio e non per il posizionamento sul lavoro o per il sollevamento/l'abbassamento di materiale.*

*Gli SRD-R Rebel non comprendono una frizione da sovraccarico per limitare la forza applicata ai componenti di azionamento e alla persona appesa. Evitare che il cavo sia lasco in modalità di recupero. Inoltre, verificare che durante il recupero la persona non sia sottoposta a una forza eccessiva a causa del sollevamento continuato in seguito all'aggravamento su un ostacolo.*

Per abbassare o rilasciare la linea vita è necessario un carico minimo di 33,9 kg (75 lb). Per azionare il sistema di recupero alla massima capacità di carico è necessaria una forza di 0,13 kN (30 Lb).

Smettere di girare la manovella quando la fune dispositivo è completamente estesa o ritratta. Continuare a girare la manovella può danneggiare i componenti.

**4.7 DISINNESTO DEL RECUPERO:** per disinnestare la modalità di recupero:

Quando viene disinnestata la modalità di recupero, qualsiasi fune dispositivo estesa verrà ritratta nell'SRD. Per evitare possibili lesioni, ritrarre la fune dispositivo prima del disinnesto o tenerla stretta.

1. Rimuovere qualsiasi carico dalla fune dispositivo.
2. Tirare e tenere ferma la manopola di regolazione in posizione non bloccata.
3. Disimpegnare il braccio della manovella per disinnestarlo e poi rilasciare la manopola di regolazione.
4. Disimpegnare e ruotare di 180° l'impugnatura di recupero verso il dispositivo SRD in posizione di stivaggio.

## 5.0 ISPEZIONE

Dopo che l'apparecchiatura è stata rimossa dal servizio, non può essere rimessa in servizio fino a quando una Persona Competente non conferma per iscritto che è accettabile farlo.

- 5.1 FREQUENZA DELLE ISPEZIONI:** Il prodotto deve essere ispezionato dall'utente prima di ciascun utilizzo e anche da un'altra persona competente, a intervalli non superiori a un anno. Una frequenza più elevata di utilizzo dell'attrezzatura e condizioni più gravose possono richiedere un aumento della frequenza delle ispezioni da parte della persona competente. La frequenza delle ispezioni deve essere determinata dalla persona competente in base alle condizioni specifiche del luogo di lavoro.
- 5.2 PROCEDURE DI ISPEZIONE:** Ispezionare il prodotto secondo le procedure elencate nel "Registro di ispezione e manutenzione". La documentazione relativa a ciascuna ispezione deve essere conservata dal proprietario dell'apparecchiatura. Un registro di ispezione e manutenzione deve essere posizionato vicino al prodotto o essere comunque facilmente accessibile agli utenti. Si raccomanda di contrassegnare il prodotto con la data della prossima o dell'ultima ispezione effettuata.
- 5.3 DIFETTI:** Se il prodotto non può essere rimesso in servizio a causa di un difetto esistente o di una condizione non sicura, il prodotto deve essere distrutto oppure inviato a 3M o a un centro di assistenza autorizzato da 3M per la riparazione.
- 5.4 DURATA DEL PRODOTTO:** La durata operativa del prodotto dipende dalle condizioni di lavoro e dalla manutenzione. Il prodotto può rimanere in servizio finché è in grado di soddisfare i criteri di ispezione.

## 6.0 MANUTENZIONE, ASSISTENZA E STOCCAGGIO

Le apparecchiature che necessitano di manutenzione, o sono programmate per la manutenzione, devono essere contrassegnate come «NON UTILIZZARE». I contrassegni sull'apparecchiatura non devono essere rimossi fino a quando non viene eseguita la manutenzione.

- 6.1 PULIZIA:** le procedure di pulizia del dispositivo autoretrattile sono le seguenti:
- Pulire periodicamente l'esterno dell'SRD utilizzando una soluzione a base di acqua e detergente. Posizionare l'SRD in modo che l'acqua in eccesso possa essere espulsa. Pulire le etichette secondo necessità.
  - Pulire la linea vita con acqua e un detergente neutro. Risciacquare e asciugare accuratamente all'aria. Non asciugare applicando calore. Un accumulo eccessivo di sporcizia o vernice può impedire una ritrazione completa della linea vita nell'alloggiamento causando un potenziale pericolo di caduta libera. Sostituire la linea vita se è presente un eccessivo accumulo.
- 6.2 MANUTENZIONE:** la manutenzione e gli interventi aggiuntivi devono essere effettuati da un centro manutenzioni autorizzato. Non provare a smontare l'SRD o a lubrificarne una parte.
- 6.3 STOCCAGGIO E TRASPORTO:** trasportare e conservare il dispositivo autoretrattile in un ambiente fresco, asciutto e pulito, lontano dalla luce diretta del sole. Evitare zone in cui sono presenti vapori chimici. Ispezionare accuratamente il dispositivo SRD dopo un periodo di stoccaggio prolungato.

## 7.0 ETICHETTE

La Figura 19 mostra alcune etichette sui dispositivi autoretrattili Rebel e le loro posizioni. Tutte le etichette devono essere presenti sull'SRD. Sostituire le etichette se non sono completamente leggibili. Su ogni etichetta sono presenti le seguenti informazioni:

(A)	1) Ispezionare il gancio a scatto e l'indicatore di caduta. 2) Ispezionare l'azione di blocco dell'SRD. 3) Collegare la fune dispositivo dell'SRD all'attacco dell'imbracatura dorsale posteriore. 4) Solo applicazioni verticali. Non ancorare mai l'SRD al di sotto dell'attacco dell'imbracatura dorsale posteriore. 4A) Per il livello di ancoraggio con o sotto l'attacco dell'imbracatura dorsale posteriore è richiesto SRD-LE con bordo avanzato. 4B) Solo applicazioni verticali. Non ancorare mai l'SRD al di sotto dell'attacco dell'imbracatura dorsale posteriore. 5) Intervallo di temperatura da -40 °C a 60 °C 6) Portata massima - 140 kg 7) Controllare il riavvolgimento della linea vita nell'SRD. Non permettere mai che la fune dispositivo si riavvolga in maniera incontrollata. 8) Lavorare direttamente al di sotto dell'ancoraggio dell'SRD per ridurre al minimo la caduta con pendolo. 9) Non riparare. Questo prodotto deve essere sottoposto a manutenzione presso un centro manutenzioni autorizzato. 10) Conservare i dispositivi SRD in un ambiente fresco, asciutto e pulito, lontano dalla luce diretta del sole. 11) Non caricare l'alloggiamento dell'SRD in corrispondenza di un bordo. 12) Non rimuovere le etichette. 13) Leggere tutte le istruzioni. 14) ID ente notificato. 15) Mese della prossima ispezione 16) Anno della prossima ispezione 17) Anno e mese di produzione 18) Numero del lotto 19) Numero del modello 20) Lunghezza della linea vita 21) Numero di serie
(B)	Girare il braccio della manovella in senso orario per abbassare la fune dispositivo. Girare il braccio della manovella in senso antiorario per alzare la fune dispositivo.
(C)	1) Disimpegnare l'impugnatura di recupero. 2) Piegarla la maniglia di recupero fuori dal corpo dell'SRD-R. 3) Disimpegnare la manopola di regolazione e tenerla ferma. 4) Spingere e ruotare leggermente il braccio della manovella in senso orario. 5) Rilasciare la manopola di regolazione.



**Table 3 – Registro di ispezione e manutenzione**

Numero/i di serie:		Data di acquisto:	
Numero modello:		Data del primo utilizzo:	
Ispezionato da:		Data di ispezione:	
Componente:	Ispezione:	Operatore	Persona competente
SRD (Figura 13)	Verificare che non presenti bulloni allentati e parti piegate o danneggiate.	<input type="checkbox"/>	<input type="checkbox"/>
	Verificare che l'alloggiamento (A) non presenti parti distorte, crepe o altri danneggiamenti.	<input type="checkbox"/>	<input type="checkbox"/>
	Verificare che l'alloggiamento (B) non presenti parti distorte, crepe o altri danneggiamenti. Il perno girevole deve essere attaccato con sicurezza all'SRD, senza però impedirne la libera rotazione.	<input type="checkbox"/>	<input type="checkbox"/>
	La linea vita (C) deve disimpegnarsi e ritrarsi completamente senza esitazione o senza creare una condizione di cavo lasco.	<input type="checkbox"/>	<input type="checkbox"/>
	Assicurarsi che il dispositivo si blocchi quando la linea vita viene tirata con forza. Il blocco deve essere deciso, senza slittamenti.	<input type="checkbox"/>	<input type="checkbox"/>
	Le etichette devono essere presenti e completamente leggibili (vedere figura 19).	<input type="checkbox"/>	<input type="checkbox"/>
	Verificare l'assenza di corrosione sull'intera unità.	<input type="checkbox"/>	<input type="checkbox"/>
Gancio a doppia leva girevole e indicatore di caduta (Figura 14)	Ispezionare il gancio a doppia leva girevole per verificare che non siano presenti segni di danni e corrosione, e che siano in grado di funzionare correttamente. Il perno girevole deve poter ruotare liberamente. Ispezionare l'indicatore di caduta. Se appare il nastro rosso (modalità indicata), è avvenuto un carico d'impatto e l'SRD deve essere tolto dalla manutenzione e ispezionato. Non tentare di resettare l'indicatore di caduta. Rispedire l'SRD a un centro di assistenza autorizzato per il ripristino. NOTA: il gancio girevole non gira liberamente se l'indicatore di caduta è in modalità indicata.	<input type="checkbox"/>	<input type="checkbox"/>
Linea vita metallica (Figura 15)	Ispezionare la fune metallica per verificare l'assenza di tagli, piegature (A), fili rotti (B), deformazioni a canestro (C), residui di saldature (D), corrosione, aree che sono entrate in contatto con sostanze chimiche o aree con gravi abrasioni. Far scorrere il paraurti del cavo (E) verso l'alto e ispezionare gli anelli (F) controllando che non presentino crepe o danni e ispezionare la fune metallica per verificare se presenta corrosione e fili metallici rotti. Sostituire il gruppo fune metallica se ci sono sei o più fili metallici rotti casualmente distribuiti in un avvolgimento o tre o più fili rotti nel trefolo di un avvolgimento. Un "avvolgimento" di una fune metallica è la lunghezza della fune metallica necessaria affinché un trefolo (1 gruppo più grandi di fili) completi un giro o un attorcigliamento lungo la fune. Sostituire il gruppo fune metallica se ci sono fili rotti entro 25 mm (1 pollice) dagli anelli.	<input type="checkbox"/>	<input type="checkbox"/>
Linea vita di riserva (Figura 16)	Ispezionare lo scorrimento della linea vita di riserva. Se una caduta è stata arrestata facendo uscire con la maggior parte della linea vita, è possibile che sia entrata in funzione la linea vita di riserva. Disimpegnare la fune dispositivo dall'SRD finché non si ferma. Se è visibile un nastro rosso (G), la fune dispositivo di riserva è entrata in funzione e l'unità deve essere sottoposta a manutenzione presso un centro manutenzioni autorizzato prima di essere riutilizzata.	<input type="checkbox"/>	<input type="checkbox"/>
Assorbitore d'energia SRD-LE (Figura 17)	Sui dispositivi autoretrattili con bordo avanzato (SRD-LE) verificare che non sia stato attivato l'assorbitore di energia integrato. Non deve esserci alcun nastro tirato fuori dalla copertura (A). La copertura deve essere fissata e priva di strappi (B) o altri danni.	<input type="checkbox"/>	<input type="checkbox"/>
Recupero manovella manuale di salvataggio incorporata (Figura 18)	Verificare che il braccio della manovella (A) non presenti parti distorte o altri danneggiamenti. Assicurarsi che l'impugnatura di recupero (B) possa essere piegata e bloccata in posizione di avviamento.	<input type="checkbox"/>	<input type="checkbox"/>
	Assicurarsi che la manopola di regolazione di recupero (C) possa essere disinnestata in posizione non bloccata e poi rilasciata, bloccando il braccio della manovella in posizione sia di innesto che di disinnesto.	<input type="checkbox"/>	<input type="checkbox"/>
	Testare il corretto funzionamento della modalità di recupero sollevando e abbassando un peso di prova di almeno 34 kg (75 lb). Quando l'impugnatura di recupero viene rilasciata, il peso non deve muoversi e l'impugnatura di recupero deve restare in posizione (nessun movimento). Quando si solleva il carico, si deve udire un "clic".	<input type="checkbox"/>	<input type="checkbox"/>
<b>Azione correttiva/Manutenzione:</b>	Approvato da:	Scadenza prossima ispezione:	
	Data:		
<b>Azione correttiva/Manutenzione:</b>	Approvato da:	Scadenza prossima ispezione:	
	Data:		
<b>Azione correttiva/Manutenzione:</b>	Approvato da:	Scadenza prossima ispezione:	
	Data:		
<b>Azione correttiva/Manutenzione:</b>	Approvato da:	Scadenza prossima ispezione:	
	Data:		
<b>Azione correttiva/Manutenzione:</b>	Approvato da:	Scadenza prossima ispezione:	
	Data:		
<b>Azione correttiva/Manutenzione:</b>	Approvato da:	Scadenza prossima ispezione:	
	Data:		
<b>Azione correttiva/Manutenzione:</b>	Approvato da:	Scadenza prossima ispezione:	
	Data:		

Prieš naudodamiesi šiuo gaminiu perskaitykite visą šiose instrukcijose pateiktą saugos informaciją, ją supraskite ir jos laikykitės. TO NEPADARIUS GALIMA SUNKIAI SUSIŽALOTI ARBA ŽŪTI.

Šios instrukcijos turi būti pateiktos įrangos naudotojui. Išsaugokite šias instrukcijas ateičiai.

## Numatytoji paskirtis

Šis gaminy s naudojamas kaip visapūsės apsaugos nuo kritimo sistemos dalis.

Naudojimas bet kuriuo kitu tikslu, įskaitant, bet tuo neapsiribojant, medžiagų tvarkymą, poilsinę, sportinę ar bet kokią kitą šiose instrukcijose neaprašytą veiklą, nėra patvirtintas 3M, taip naudojant galima sunkiai susižaloti arba žūti.

Šiuo gaminiu gali naudotis tik išmokyti darbuotojai darbo reikmėms.

## ĮSPĖJIMAS

Šis gaminy s naudojamas kaip visapūsės apsaugos nuo kritimo sistemos dalis. Visi naudotojai turi būti visiškai išmokyti, kaip saugiai sumontuoti ir naudoti visapūsę apsaugos nuo kritimo sistemą. **Netinkamai naudojantis šiuo gaminiu galima sunkiai susižaloti arba žūti.** Kaip tinkamai pasirinkti, naudoti, montuoti, prižiūrėti ir remontuoti, skaitykite visuose naudojimo vadovuose ir gamintojo rekomendacijose. Norėdami gauti daugiau informacijos, kreipkitės į vadovą arba 3M techninės priežiūros tarnybą.

### • Kaip sumažinti riziką, kuri gali kilti naudojantis įtraukiamuoju įtais u ir kurios neišvengus galima sunkiai susižaloti arba žūti

- Apžiūrėkite gaminį prieš kiekvieną naudojimą ir po bet kokio kritimo, laikydamiesi šiose instrukcijose nurodytų procedūrų.
- Jeigu patikrinus aptinkama nesaugi būklė ar defektų, nedelsdami nustokite eksploatuoti ir pažymėkite jį užrašu „NENAUDOTI“. Sunaikinkite arba suremontuokite gaminį, kaip reikalaujama šiose instrukcijose.
- Turi būti tuoj pat nustota naudoti bet kokį gaminį, kuris buvo paveiktas kritimo stabdymo arba smūgio jėgos. Sunaikinkite arba suremontuokite gaminį, kaip reikalaujama šiose instrukcijose.
- Užtikrinkite, kad visapūsės apsaugos nuo kritimo sistemos, surinktos iš skirtingų gamintojų komponentų, būtų suderinamos ir atitiktų visus taikomus visapūsės apsaugos nuo kritimo reglamentus, standartus ar reikalavimus. Prieš naudodamiesi šiomis sistemomis visada pasitarkite su kompetentingu arba kvalifikuotu asmeniu.
- Pasirūpinkite, kad gelbėjimo virvė būtų apsaugota nuo bet kokių pavojų, įskaitant (bet neapsiribojant): įsipainiojimą į naudotojus, kitus darbuotojus, judančias mašinas, kitus aplinkinius objektus arba poveikį iš viršuje esančių objektų, kurie gali nukristi ant gelbėjimo virvės ar naudotojų.
- Žiūrėkite, kad gelbėjimo virvė nesusisuktų, nebūtų surišta, sumazgyta ar atsilaisvinusi.
- Venkite pavojingo judėjimo gelbėjimo virvės atšakomis. Jei yra, visas nenaudojamas gelbėjimo virvės atšakas pritvirtinkite prie lyno tvirtinimo priemonių elementų.
- Neviršykite šiose instrukcijose nurodyto leidžiamo naudotojų skaičiaus.
- Nenaudokite vietose, kuriose nėra laisvo kritimo kelio. Į užblokuoti reikia aiškaus kelio. Dirbant ant lėtai slenkančios medžiagos (pvz., smėlio ar grūdų) arba ankštoje erdvėje darbuotojai gali nepavykti pasiekti pakankamo greičio, kad jį užsiblokuotų.
- Darbo metu venkite staigių ar greitų judesių, nes dėl to jį gali netyčia užsiblokuoti.
- Montuodami, naudodami ar judindami gaminį būkite atsargūs, nes judančios dalys gali sukurti suspaudimo vietas.
- Naudokite tinkamą briaunų apsaugą, kai gelbėjimo virvė gali paliesti aštrias briaunas arba abrazyvinius paviršius.
- Nedelsdami nustokite eksploatuoti gaminį, jei jis buvo naudojamas nuleidžiant.
- Prieš naudodami įsitinkite, kad nuleidimo kelyje ir nusileidimo zonoje nėra jokių kliūčių ar pavojų.
- Užtikrinkite, kad gaminy s būtų tinkamai sukonfigūruotas ir sumontuotas saugiai veikti, kaip aprašyta šiose instrukcijose.

### • Kaip sumažinti riziką, galinčią kilti dirbant dideliame aukštyje, kurios neišvengus galima sunkiai susižaloti arba žūti

- Jūsų sveikata ir fizinė būklė turi leisti saugiai dirbti aukštyje ir atlaikyti visas jėgas, susijusias su kritimo stabdymo įvykiu. Jeigu turite klausimų dėl savo galėjimo naudoti šią įrangą, pasitarkite su gydytoju.
- Niekada neviršykite savo apsaugos nuo kritimo įrangos leidžiamos laikomosios galios.
- Niekada neviršykite savo apsaugos nuo kritimo įrangos didžiausio laisvojo kritimo atstumo.
- Nenaudokite apsaugos nuo kritimo įrangos, kuri nepereina patikros, taip pat jei kyla abejonių dėl įrangos naudojimo ar tinkamumo. Visais klausimais kreipkitės į 3M techninės priežiūros tarnybą.
- Kai kurie posistemų ir komponentų deriniai gali mažinti šios įrangos funkcionalumą. Naudokite tik suderinamas jungtis. Prieš naudodami šią įrangą su kitais komponentais ar posistemėmis, neaprašytais šiose instrukcijose, pasitarkite su 3M techninės priežiūros tarnybą.
- Dirbdami šalia judančių mašinų, esant elektros pavojui, ribinėms temperatūroms, cheminiam pavojui, esant sprogių ar nuodingų dujų, kai yra aštrių briaunų, abrazyvinių paviršių, po kabančiomis medžiagomis, kurios gali nukristi ant jūsų ar ant apsaugos nuo kritimo įrangos, būkite ypač atsargūs.
- Užtikrinkite, kad naudojant gaminį būtų atsižvelgiama į jūsų darbo aplinkoje esančius pavojus.
- Dirbdami dideliame aukštyje užtikrinkite, kad būtų pakankamas laisvojo kritimo atstumas.
- Niekada nemodifikuokite ir nekeiskite savo apsaugos nuo kritimo įrangos. 3M įrangą gali remontuoti tik 3M arba 3M raštu įgalioti asmenys.
- Prieš naudodami apsaugos nuo kritimo įrangą užtikrinkite, kad būtų parengtas rašytinis gelbėjimo planas ir įvykus kritimo incidentui būtų galima nedelsiant atlikti gelbėjimo darbus.
- Įvykus kritimo incidentui nedelsdami pasirūpinkite medicinine pagalba nukritusiam darbuotojui.
- Kritimo stabdymo darbams naudokite tik viso kūno diržus. Nenaudokite kūno diržo.
- Išvenkite supamojo kritimo galimybės dirbdami kiek galima tiesiau po inkaravimo vieta.
- Mokymo dirbti su šiuo gaminiu metu būtina naudoti antrąją visapūsės apsaugos nuo kritimo sistemą. Besimokančiam asmeniui neturi kilti nenumatyto kritimo pavojus.
- Montuodami, naudodami ar tikrindami gaminį visuomet naudokite atitinkamas asmenines apsaugos priemones.
- Niekada nedirbkite po pakabintu krovinium ar darbuotoju.
- Visada išlaikykite šimtaprocentinį prisitvirtinimą.

Prieš naudodamiesi šia įranga, įrašykite gaminio identifikacijos informaciją iš ID etiketės į šios instrukcijos gale esantį „Tikrinimo ir priežiūros žurnalą“.

Visada įsitikinkite, kad naudojate naujausią „3M“ instrukcijų versiją. Apsilankykite „3M“ svetainėje arba susisiekite su „3M“ technine tarnyba, kad gautumėte atnaujintų instrukcijų vadovus.


## APRAŠYMAS.

2 pav. parodyti pagrindiniai „Protecta Rebel“ savaime įsitraukiančių įtaisų (SRD) komponentai. „Rebel SRD“ yra ant būgno suvyniota vielinio lyno gelbėjimo virvė (A), įtraukiama į termoplastikinį arba aliuminio korpusą (B). Jos gali kabėti nuo tvirtinimo įtaiso vietos ir tvirtinamos karabinu, kabinamu už sukamosios kilpos (C), esančios IĮ viršuje. Gelbėjimo virvės gale esantis savaime užsifiksuojantis karabininis kablys (D) tvirtinamas prie viso kūno apraišų kritimo stabdymo jungties. Apsaugas (E) dengia vielinį lyną ir įmovas, apsaugodamas karabininį kablį nuo susidėvėjimo ir korozijos.


1 pav. nurodyti „Rebel SRD“ modeliai, kuriems taikomas šis naudojimo vadovas. Galimi tokie IĮ:

- **Savaime įsitraukiantis įtaisas (2A pav.):** savaime įsitraukiantys įtaisai (SRD) tinka naudoti ten, kur gelbėjimo virvė naudojimo metu paprastai išlieka vertikali, o galimas laisvasis kritimas yra ne didesnis kaip 0,6 m (2 pėd.).
- **Savaime įsitraukiantis įtaisas su priekiniu kraštu (2B pav.):** Savaime įsitraukiantys įtaisai su priekiniu kraštu (SRD-LE) tinka naudoti ten, kur gelbėjimo virvė naudojimo metu paprastai lieka horizontalioje padėtyje, o galimas laisvas kritimas ribojamas iki 1,5 m (5 pėd.). SRD-LE turi integruotą energijos sugėrikį (F) arba panašų komponentą, kuris sulaukiant kritimą atlaiko gelbėjimo virvės smūginę apkrovą ant aštraus arba abrazyvinio krašto ir sumažina kritimo stabdymo jėgas naudotojui.
- **Savaime įsitraukiantis įtaisas su gelbėjimo funkcija (2C pav.):** Savaime įsitraukiantys įtaisai su gelbėjimo funkcija (SRD-R) apima integruotas gelbėjimo priemones pakeliant arba nuleidžiant gelbėjimo objektą. SRD-R įtaisyta 3 krypčių avarinio iškėlimo rankinis suktukas (G). Kai kuriuose modeliuose gali būti trikojo montavimo laikiklis (H), skirtas SRD-R tvirtinti ant trikojo kojos uždaroje erdvėje.

Lentelė 1 – Specifikacijos

 Korpuso pusės	Medžiaga
9508320 + 9520047	Aliuminis – 15 m (50 pėd.) SRD-R
9511070 + 9511071	Termoplastika – 6 m (20 pėd.) SRD, 10 m (33 pėd.) SRD ir 6 m (20 pėd.) Priekinio krašto SRD-LE
9520021 + 9520022	Aliuminis – 6 m (20 pėd.) ir 10 m (33 pėd.) SRD
9520044 + 9520045	Termoplastika – 15 m (50 pėd.) SRD ir 10 m (33 pėd.) Priekinio krašto SRD-LE
9520046 + 9520047	Aliuminis – 15 m (50 pėd.) SRD
9520056 + 9520057	Termoplastika – 20 m (66 pėd.), 25 m (82 pėd.), 30 m (100 pėd.) SRD
9520058 + 9520059	Aliuminis – 20 m (66 pėd.), 25 m (82 pėd.) ir 30 m (100 pėd.) SRD

 Gelbėjimo virvė	Aprašymas	Kablys
9501087 + 2000175	5,56 mm (7/32 col.) cinkuoto plieno vielinis lynas, savaime užsifiksuojantis legiruoto plieno pasukamas karabininis kablys su indikatoriumi.	2000175
9501479 + 2000175	4,76 mm (3/16 col.) cinkuoto plieno vielinis lynas, savaime užsifiksuojantis legiruoto plieno pasukamas karabininis kablys su indikatoriumi.	2000175
9501613 + 2000170	4,76 mm (3/16 col.) nerūdijančiojo plieno vielinis lynas, savaime užsifiksuojantis besisukantis nerūdijančiojo plieno karabinas su indikatoriumi.	2000170
9501613 + 2000175	4,76 mm (3/16 col.) nerūdijančiojo plieno vielinis lynas, savaime užsifiksuojantis legiruoto plieno pasukamas karabininis kablys su indikatoriumi.	2000175
9501613 + 2100044	4,76 mm (3/16 col.) nerūdijančiojo plieno vielinis lynas, savaime užsifiksuojantis besisukantis nerūdijančiojo plieno karabininis kablys su indikatoriumi.	2100044

Kablys	Aprašymas	Medžiaga	Fiksatoriaus stiprumas	Angos dydis
2000170	Sukamasis savaime užsifiksuojantis karabinas su smūgio indikatoriumi	Nerūdijantysis plienas	16 kN (3600 lbf)	1,9 cm (0,75 col.)
2000175	Sukamasis savaime užsifiksuojantis karabininis kablys su smūgio indikatoriumi	Cinkuotas plienas	16 kN (3600 lbf)	1,9 cm (0,75 col.)
2100044	Sukamasis savaime užsifiksuojantis karabininis kablys su smūgio indikatoriumi	Nerūdijantysis plienas	16 kN (3600 lbf)	1,9 cm (0,75 col.)

## Lentelė 1 – Specifikacijos

<b>Vielinio lyno gelbėjimo virvės tempiamasis stipris</b>	9501479 – 4,76 mm (3/16 col.) skersmens cinkuotas plienas Min. tempiamasis stipris 18,7 kN (4200 lbf) 9501613 – 4,76 mm (3/16 col.) skersmens nerūdijantis plienas Min. Tempiamasis stipris 16,0 kN (3 600 lbf) 9501087 – 5,55 mm (7/32 col.) skersmens cinkuotas plienas Min. Tempiamasis stipris 24,9 kN (5 600 lbf)
<b>SRD-R maksimali kėlimo apkrova:</b>	135 kg (298 sv.)
<b>Tvirtinimo jėga</b>	12 kN (2,697 lbf)

<b>II specifikacijos</b>	<b>CE modeliai (EN 360)</b>
<b>Talpos diapazonas:</b>	59–140 kg (130– –310 sv.)
<b>Maksimali stabdymo jėga:</b>	6 kN (1 350 lbf)
<b>Vidutinė stabdymo jėga:</b>	4,0 kN (900 lbf)
<b>Maksimalus stabdymo atstumas:</b> <i>*Daroma prielaida, kad SRD sumontuotas tiesiai virš naudotojo.</i>	1,1 m (42 col.)
<b>Minimalus reikalingas laisvojo kritimo aukštis:</b> <i>*Daroma prielaida, kad SRD sumontuotas tiesiai virš naudotojo.</i>	1,8 m (6 pėd.)
<b>Maksimalus laisvasis kritimas:</b> <i>*SRD turi būti sumontuotas virš naudotojo D žiedo.</i>	0,6 m (2 pėd.)

<b>SRD-LE specifikacijos</b>	<b>CE modeliai (EN 360 + CNB/P/11.060)</b>
<b>Talpos diapazonas:</b>	59–140 kg (130– –310 sv.)
<b>Maksimali stabdymo jėga:</b>	6 kN (1 350 lbf)
<b>Vidutinė stabdymo jėga:</b>	4 kN (900 lbf)
<b>Maksimalus stabdymo atstumas:</b> <i>*Daroma prielaida, kad SRD sumontuotas tiesiai virš naudotojo.</i>	1,1 m (42 col.)
<b>Minimalus reikalingas laisvojo kritimo aukštis:</b>	Vertikalus: 1,8 m (6 pėd.) Horizontalus: 5,03 m (16,5 pėd.)
<b>Maksimalus laisvasis kritimas:</b> <i>*SRD turi būti sumontuotas virš naudotojo D žiedo.</i>	0,6 m (2 pėd.)
<b>Didžiausias laisvasis kritimas – LE:</b> <i>*Matuojama nuo naudotojo D žiedo iki darbinio paviršiaus.</i>	1,5 m (5 pėd.)

## 1.0 NAUDOJIMAS

- 1.1 PASKIRTIS.** „3M“ Savaime įsitraukiantis įtaisas (II) skirti naudoti kaip asmens kritimą stabdančios sistemos dalis. 1 paveiksle pavaizduoti II, kuriems skirtas šis instrukcijų vadovas, ir tipiniai jų naudojimo būdai. Jūs galite naudoti daugeliu aplinkybių, kai būtinas darbuotojų mobilumo ir apsaugos nuo kritimo derinys (t. y. tikrinimo darbai, statybos, techninės priežiūros darbai, naftos gavyba, darbas ankštoje erdvėje ir kt.).
- 1.2 STANDARTAI.** II atitinka šios instrukcijos viršelyje nurodytus šalies arba regiono standartus. Jeigu šis gaminys perparduodamas ne toje šalyje, kuriai yra skirtas, perpardavėjas turi pateikti šią instrukciją tos šalies, kurioje gaminys bus naudojamas, valstybine kalba.
- 1.3 MOKYMAS.** Ši įranga skirta asmenims, kurie yra parengti ja tinkamai naudotis. Galutinis naudotojas atsako už tai, kad jie būtų supažindinti su šiais nurodymais ir parengti tinkamai prižiūrėti bei naudoti šią įrangą. Naudotojai turi žinoti ir naudojimo charakteristikas, paskirties ribas bei netinkamo naudojimo pasekmes.
- 1.4 APRIBOJIMAI.** Parengdami ir naudodamiesi šia įranga visuomet turėkite omenyje toliau nurodytus apribojimus ir reikalavimus.
- **Laikomoji galia.** Išbandytas šio II tinkamumas vienam asmeniui, kurio bendrasis svoris (su drabužiais, įrankiais ir kt.) yra nuo 59 kg (130 sv.) iki 140 kg (310 sv.).<sup>1</sup> Pasirūpinkite, kad visų sistemos komponentų laikomoji galia atitiktų jūsų darbo poreikius.
  - **Inkaravimas.** Inkaravimo reikalavimai skiriasi atsižvelgiant į apsaugos nuo kritimo apsaugos sistemą. Konstrukcija, prie kurios tvirtinama inkaravimo jungtis, privalo atitikti 1 lentelėje apibrėžtas inkaravimo specifikacijas.
  - **Fiksavimo greitis.** Reikia vengti aplinkybių, kurios neleistų susidaryti laisvam kritimo keliui. Dirbant ankštose arba siaurose erdvėse, kūnas gali nepasiekti reikiamo greičio, kad krintant suveiktų II. Dirbant ant lėtai slenkančios medžiagos, pvz., smėlio ar grūdų, jie gali nepasiekti pakankamo greičio, kad II suveiktų. Norint, kad II patikimai suveiktų, reikia laisvojo kritimo kelio.
  - **Laisvasis kritimas.** Tinkamai naudojant II virš galvos, sumažėja laisvojo kritimo atstumas. Kad laisvojo kritimo atstumas nepadidėtų, laikykitės toliau pateiktų instrukcijų.
    - Niekada nesusauskite, neriškite mazgų ir neatlikite kitų veiksmų, kurie trukdo gelbėjimo virvei susitraukti arba likti įtemptai.
    - Pasirūpinkite, kad II gelbėjimo virvė nebūtų palaida.
    - Nedirbkite aukščiau inkaravimo lygio.
    - Nepasikonsultavę su „3M“ neilginkite II prijungdami papildomą lyną arba panašų daiktą.
- Norėdami gauti informacijos apie konkrečiam gaminiui būdingas laisvojo kritimo ir laisvojo kritimo aukščio vertes, žr. šioje instrukcijoje pateiktą 1 lentelę.
- **Siūbuojamasis kritimas.** Siūbuojamasis kritimas įvyksta, kai inkaravimo taškas nėra tiesiai virš krintančio taško. Dėl supamojo kritimo atsitrenkiant į objektą susidaranti jėga gali sukelti sunkių sužalojimų (žr. 3A pav.). Išvenkite supamojo kritimo galimybes dirbdami kiek galima tiesiai po inkaravimo tašku (žr. 3B pav.). Dirbant toliau nuo inkaravimo taško (žr. 3C pav.) didėja supamojo kritimo smūgis ir mažėja reikiamas laisvasis kritimo aukštis (LKA).
  - **Laisvasis kritimo aukštis.** Laisvojo kritimo aukščio apskaičiavimas pavaizduotas 3B paveiksle. Laisvasis kritimo aukštis (LKA) yra laisvojo kritimo (LK), lėtėjimo atstumo (LA) ir saugos faktoriaus (SF) suma:  $LKA = LK + LA + SF$ . Į saugos faktorių įtrauktas jungiamojo žiedo slydimas ir apraišų išsitempimas. Laisvojo kritimo aukščio vertės apskaičiuotos ir pateiktos 4 paveiksle. Visoms 4 paveiksle nurodytoms vertėms taikytas 1 m (3,28 pėdos) saugos faktorius.
- Laisvasis kritimo aukštis pavaizduotas 3B ir 3C paveiksluose. Kalbant apie kritimą iš stovinčios padėties, kai II inkaruotas tiesiai virš galvos (3B pav.), II kritimo stabdymo sistemoms būdingas minimalus laisvasis kritimo aukštis turi atitikti 1 lentelėje nurodytą vertę. Jei krentama iš klūpėjimo ar ropojimo padėties, reikia papildomo 1 m (3 pėdų) laisvojo kritimo aukščio. Supamojo kritimo atveju (3C paveikslas) bendras vertikalojo kritimo atstumas bus didesnis, nei tuomet, jei naudotojas kristų tiesiog žemyn nuo inkaravimo vietos, taigi, gali prireikti didesnio kritimo atstumo. 4 paveiksle ir gretimoje lentelėje nurodytas maksimalus darbinis spindulys (C), esant įvairiam II inkaravimo aukščiai (A) ir laisvojo kritimo aukščiai (B). Rekomenduojamą darbo zoną apibrėžia maksimalus darbinis spindulys.
- **Pavojai.** Naudojantis šia įranga vietose, kur yra aplinkinių pavojų, gali prireikti papildomų atsargumo priemonių, kad naudotojas nesusižalotų arba nebūtų pažeista įranga. Tokie pavojai gali būti šie (ir kiti): didelis karštis, edrios cheminės medžiagos, korozinė aplinka, aukštos įtampos elektros linijos, sprogios arba toksiškos dujos, judančios mašinos ir medžiagos virš galvos, kurios gali nukristi ir pataikyti į naudotoją arba kritimo stabdymo sistemą. Nedirbkite ten, kur gelbėjimo virvė gali susikryžiuoti arba susipainioti su kito darbuotojo įranga. Nedirbkite ten, kur daiktai gali kristi ir pataikyti į gelbėjimo virvę ir taip pargiauti žmogų arba pažeisti virvę. Gelbėjimo virvė negali būti po rankomis arba tarp kojų.
  - **Aštrios briaunos.** Nedirbkite ten, kur gelbėjimo virvė liečiasi arba trinaisi į neapsaugotas aštrias briaunas. Jeigu sąlyčio su aštria briauna išvengti neįmanoma, uždenkite kraštą apsaugine medžiaga.

<sup>1</sup> **Laikomoji galia.** Nors CE paženklintų II maksimali laikomoji galia yra 140 kg (310 sv.), II su trikampio iškelimo funkcija maksimali vardinė keliamoji galia yra 135 kg (298 sv.).

## 2.0 NAUDOJIMAS

- 2.1 GELBĖJIMO PLANAS.** Jei naudojama ši įranga, darbdavys privalo turėti rašytinį gelbėjimo planą, parengtas priemones planui įgyvendinti ir supažindinti su šiuo planu naudotojus, įgaliotus asmenis bei gelbėtojus.
- 2.2 TIKRINIMO DAŽNUMAS.** Į tikrina įgaliotas asmuo<sup>1</sup> arba gelbėtojas<sup>2</sup> kiekvieną kartą prieš naudojant (žr. 2 lent.). Be to, patikras turi atlikti kompetingas asmuo,<sup>3</sup> o ne naudotojas, ne rečiau kaip kartą per metus. Esant sudėtingoms darbo sąlygomis (nepalanki aplinka, ilgalaikis naudojimas ir kt.) kompetentingam asmeniui gali reikėti tikrinti dažniau. Patikros procedūros aprašytos *tikrinimo ir techninės priežiūros žurnale* (3 lent.). Kompetentingo asmens patikros rezultatai turi būti įrašyti į *tikrinimo ir techninės priežiūros žurnalą* arba RFID sistemą.
- 2.3 NORMALUS NAUDOJIMAS.** Normaliai naudojant, kai darbuotojas juda įprastu greičiu, gelbėjimo virvė gali laisvai išsitraukti ir susitraukti be pasipriešinimo ir neatsipalaiduodama. Jeigu imama kristi, suveikia į greitį reaguojanti stabdymo sistema, kuri sustabdo kritimą ir sugeria didžiąją dalį išsiskyrusios energijos. Normaliai dirbant reikia vengti staigių arba greitų judesių, nes į gali užsiblokuoti. Kai krintama gelbėjimo virvei išsivyniojus beveik iki galo, suveikia gelbėjimo virvės atsargos sistema arba energijos sugėriklis, sumažinantys kritimo stabdymo jėgas. Jei į paveikė kritimo stabdymo jėgos, nebenaudokite jo, pažymėkite užrašu NETINKAMAS NAUDOTI, patikrinkite ir atlikite priežiūros darbus, kaip nurodyta 5 ir 6 skyriuose.
- 2.4 KŪNO ATRAMA.** Su Savaiame įsitraukiantis įtaisas turi būti naudojamos viso kūno apraišos. Apraišų pritvirtinimo vieta turi būti virš naudotojo svorio centro. Kūno diržas nėra tinkamas elementas naudoti kartu su Savaiame įsitraukiantis įtaisas. Jeigu krintama susijuosus kūno diržu, jis gali netikėtai atsilaisvinti ir (arba) sužaloti dėl netinkamo kūno laikymo.
- 2.5 KOMPONENTŲ SUDERINAMUMAS.** Jeigu nenurodyta kitaip, „3M“ įranga skirta naudoti tik su „3M“ patvirtintais komponentais ir posistemėmis. Pakaitalai naudojant nepatvirtintus komponentus ar sistemas gali pakenkti įrangos suderinamumui ir sumažinti visos sistemos saugą ir patikimumą. Laikykitės savo asmeninės kritimo stabdymo sistemos komponentų ir posistemų gamintojo nurodymų.
- 2.6 JUNGČIŲ SUDERINAMUMAS.** Jungtys su jungiamaisiais komponentais yra suderintos, kai elementai ir jungtys suprojektuoti ir pagaminti taip, kad būtų tinkami naudoti vieni su kitais, todėl jų dydis ir forma turi būti tokia, kad fiksavimo mechanizmai negalėtų atsitiktinai atsidaryti, nepriklausomai nuo pasisukimo krypties. Jeigu turite klausimų dėl suderinamumo, kreipkitės į „3M“.
- Į pakabinti naudojamos jungtys turi atitikti EN 362. Jungtys turi būti suderinamos su tvirtinimo ir kitais sistemos komponentais. Nenaudokite nesuderintos įrangos. Nesuderinamos jungtys gali netyčia atsikabinti (žr. 5 paveikslą). Jungtys turi būti atitinkamo dydžio, formos ir atsparumo. Kabliai su saugikliais ir karabinai turi būti savaiame užsifiksuojantys. Jeigu jungiamasis komponentas, prie kurio tvirtinamas karabininis kablys arba karabinas, yra per mažas arba netinkamos formos, jungiamasis elementas gali suspausti karabininio kablio arba karabino fiksatorių (A). Ši jėga gali atidaryti fiksatorių (B), todėl karabininis kablys arba karabinas gali atsikabinti nuo jungimosi vietos (C).
- 2.7 SUJUNGIMAS.** Su šia įranga naudojami karabininiai kabliai ir karabinai turi būti užsifiksuojantieji. Pasirūpinkite, kad jungtys būtų suderinamos dydžiu, forma ir tvirtumu. Nenaudokite nesuderintos įrangos. Pasirūpinkite, kad visos jungtys būtų iki galo uždarytos ir užfiksuotos. 3M jungtys (karabininiai kabliai ir karabinai) skirtos naudoti tik taip, kaip nurodyta kiekvieno gaminio naudojimo instrukcijoje. Netinkamų jungčių pavyzdžiai parodyti 6 paveiksle. Nejunkite karabininių kablių ir karabinų:
- Prie jungiamojo žiedo, prie kurio jau prijungta kita jungtis.
  - Taip, kad fiksatorius būtų veikiamas apkrovos. Plačiai atsiveriantys karabininiai kabliai neturi būti jungiami prie standartinio dydžio jungiamųjų žiedų ar panašių komponentų, dėl kurių angą veiktų apkrova arba jungiamasis žiedas būtų sukamas, nebent karabininio kablio užraktas atlaiko 3 600 sv. (16 kN). Patikrinkite karabininio kablio žymas, kad būtų aišku, ar jis tinka Jūsų paskirčiai.
  - Netinkamai sukabindami, kai iš karabininio kablio arba karabino išsikišę elementai užsikabina už ankerio ir atidžiai nepažiūrėjus atrodo, kad yra tinkamai pritvirtinta prie tvirtinimo vietos.
  - Vieno su kitu.
  - Tiesiogiai su diržiniu arba lyniniu kobiniu arba prieraišu (nebent apraišo ir jungties gamintojo instrukcijose konkrečiai leidžiama taip jungti).
  - Prie daikto, kurio forma ar matmenys tokie, kad karabininis kablys arba karabinas neužsidaro ir neužsifiksuoja arba jungiamas elementas gali išslysti.
  - Tokiu būdu, kad apkrovos veikiamą jungtį negalėtų būti tinkamai sulygiuota.

Lentelė 2 – Tikrinimo tvarkaraštis

Naudojimo pobūdis	Naudojimo pavyzdžiai	Naudojimo sąlygos	Tikrinimo dažnumas
			Kompetentingas asmuo
Nedažnai arba retai	Gelbėjimas ir uždara erdvė, gamyklų techninė priežiūra	Geros laikymo sąlygos, naudojimas viduje arba tik retai lauke, patalpos temperatūra, švari aplinka	Kartą per metus
Vidutiniškai arba dažnai	Transportas, gyvenamoji statyba, komunalinės paslaugos, sandėliai	Prastos laikymo sąlygos, naudojimas viduje ir dažnai lauke, įvairi temperatūra, švari arba dulkėta aplinka	Nuo karto per pusmetį iki karto per metus
Labai dažnai arba nuolat	Komercinė statyba, naftos ir dujų pramonė, kasyba	Nepalankios laikymo sąlygos, ilgalaikis arba nuolatinis naudojimas lauke, įvairi temperatūra, nešvari aplinka	Nuo karto per ketvirtį iki karto per pusmetį

**1 Įgaliotas asmuo.** Tai yra asmuo, darbdavio paskirtas eiti pareigas vietoje, kurioje asmenims kyla kritimo pavojus.

**2 Gelbėtojas.** Tai yra asmuo ar asmenys, kuriems nereikia pagalbos ir kurie naudodamiesi gelbėjimo sistema vykdo gelbėjimo darbus.

**3 Kompetentingas asmuo.** Tai yra asmuo, kurį darbdavys paskyrė atsakingu už tiesioginę darbdavio parengtos apsaugos nuo kritimo programos priežiūrą, įgyvendinimą ir stebėjimą, kuris, remdamasis baigtu mokymu bei žiniomis, gali nustatyti ir įvertinti esamus arba galimus kritimo pavojus bei imtis atitinkamų priemonių, kuris turi darbdavio įgaliojimą nedelsdamas imtis taisomųjų veiksmų, susijusių su tokiais pavojais.

**2.8 ĮTRAUKIAMIEJI KOBINIAI SU NAUDOJIMO PRIE KRAŠTŲ FUNKCIJA (ĮK-NPKF).** Prie ĮK, kuriems skirtas šis vadovas, priskiriami ir įtraukiamieji kobiniai su naudojimo prie kraštų funkcija (ĮK-NPKF). Konkretūs ĮK-NPKF modeliai pavaizduoti 1 paveiksle. ĮK-NPKF yra išbandyti horizontalioje padėtyje ir krentant nuo plieninės krašto briaunos be šerpetų. ĮK-NPKF gali būti naudojami tuomet, kai gali būti krentama per plieninius kraštus, kokie būna plieninės konstrukcijos ar metalo lakštai.

**Atsargumo priemonės dėl kraštinių briaunų.** Naudodamiesi ĮK-NPKF laikykitės toliau nurodytų atsargumo priemonių.

- ĮK-NPKF gelbėjimo virvės dalies nukreipimo kampas per kraštą, nuo kurio galima nukristi (matuojant tarp dviejų perlenktos gelbėjimo virvės atkarpu) turi būti bent 90 laipsnių (žr. 7 paveikslą).
- Inkaravimo vieta turi būti tokiam pačiame aukštyje, kaip ir kraštas, nuo kurio galima nukristi, arba aukščiau. Inkaruoti žemiau krašto yra pavojinga, nes gelbėjimo virvė dėl to gali būti nukreipta mažesniu kaip 90 laipsnių kampu (žr. 7 paveikslą).
- 1 skyriuje nurodyti leidžiamos darbo zonos apribojimai inkaravimo vietos atžvilgiu, įskaitant tokius veiksnius kaip supamasis kritimas ir virvės trynimasis į kraštą, bei vieno arba kelių inkarų naudojimas, kad būtų galimas horizontalus judėjimas (pvz., horizontali gelbėjimo virvė arba horizontalus bėgis).
- ĮK-NPKF gali būti naudojami su horizontalia gelbėjimo virve arba horizontaliu bėgiu tik tada, jeigu taip nurodyta gaminio instrukcijoje.
- Nedirbkite tolimojoje angos pusėje, priešingoje ĮK-NPKF inkaravimo vietai.
- Nukritus per kraštą gali prireikti specialių gelbėjimo priemonių.
- Planuodami darbą prie kraštinių briaunų pasirūpinkite, kad darbo zonos parametrai atitiktų minimalų atitraukimo atstumą, minimalų laisvojo kritimo atstumą, ir minimalų kritimo aukštį, jeigu ĮK-NPKF etiketėje nurodyta kritimo per kraštą galimybė.

**Laisvojo kritimo aukščio per kraštą skaičiavimas.** Minimalus būtinas kritimo aukštis krentant per kraštą gali būti apskaičiuotas remiantis minimaliu atitraukimo atstumu ir atstumu išilgai krašto (žr. 8 paveikslą). Kaip apskaičiuoti laisvąjį kritimo aukštį pagal 8 paveikslo lentelę.

1. Kairėje eilutėse pasirinkite esamam atsitraukimo atstumui artimiausią vertę (A).
2. Viršuje stulpeliuose pasirinkite esamam atstumui išilgai krašto artimiausią vertę (B). Užbrūkšniuotos sritys be verčių rodo, kad pagal pasirinktą atitraukimo atstumą atstumas palei kraštą viršija saugų darbinį spindulį.
3. Laisvasis aukštis krentant nuo krašto (C) randamas 1 veiksmu pasirinktos eilutės ir 2 veiksmu pasirinkto stulpelio sankirtoje.

Pakartokite šiuos veiksmus su kiekvienu kraštu, nuo kurio gali nukristi darbuotojas, kad sužinotumėte, kur saugu įrengti inkarą ir koks yra leidžiamas darbinis spindulys.

### 3.0 ĮRENGIMAS

- 3.1 PLANAVIMAS.** Prieš pradėdami dirbti apgalvokite apsaugos nuo kritimo sistemą. Atsižvelkite į visus veiksnius, kurie gali lemti saugą prieš kritimą, jo metu ir po to. Laikykitės visų šiame vadove nustatytų reikalavimų ir apribojimų.
- 3.2 TVIRTINIMAS 9 PAV.** parodytos tipinės SRD tvirtinimo jungtys. Tvirtinimo įtaiso vieta (A) turi būti tiesiai virš galvos, kad būtų kuo mažesnis laisvojo kritimo ir siūbuojamojo kritimo pavojus (žr. 2 skyrių). Pasirenkamas standus tvirtinimo taškas, galintis išlaikyti 2.2 skirsnyje apibrėžtas statines apkrovas. SRD sukamoji kilpa turi karabiną (B). Užkabinkite karabiną tiesiogiai ant tvirtinimo konstrukcijos (armatūros, kampainio ar kt.), pritvirtinimo adapterio (C) arba tvirtinimo įtaiso jungimo vietos (D).
- 3.3 LAIDŲ PYNĖS JUNGTIS.** Kritimo stabdymo sistemoms būtinos viso kūno apraišos. SRD gelbėjimo virvės karabininį kablį (A) prijunkite prie viso kūno diržų komplekto galinio „Dorsal“ D žiedo (B). (žr. 10 paveikslą). Tokiais atvejais kaip, pvz., lipant kopėčiomis, gali būti naudinga jungti prie priekinio jungiamojo žiedo. Išsamesnės informacijos apie apraišų jungimo vietas ieškokite apraišų gamintojo instrukcijose.
- 3.4 TRIKOJO MONTAVIMAS:** 11 pav. parodytas „Rebel“ savaime įsitraukiančio įtaiso su iškėlimo rankena montavimas ant „Protecta“ trikojo. SRD-R tvirtinamas ant trikojo kojos, o gelbėjimo virvė nukreipiama per trikojo galvutės skriemulio sistemą. Išsamiau žr. trikojo ir tvirtinimo gembės instrukcijose.

### 4.0 NAUDOJIMAS

*Pirmą kartą arba retai „Rebel“ savaime įsitraukiančius įtaisy (SRD) naudojančios naudotojai, prieš naudodami SRD, turi peržiūrėti šio vadovo pradžioje pateiktą saugos informaciją.*

- 4.1 KIEKVIENĄ KARTĄ PRIEŠ NAUDOJANT:** Patikrinkite, ar jūsų darbo sritis ir apsaugos nuo kritimo sistema atitinka visus šiose instrukcijose apibrėžtus kriterijus. Patikrinkite, ar yra parengtas oficialus gelbėjimo planas. Tikrinkite produktą pagal „Naudotojo“ patikros taškus, nurodytus „Tikrinimo ir techninės priežiūros žurnale“. Jei patikrinus paaiškėja, kad gaminys nesaugus ar sugedęs, arba jei kyla abejonių dėl jo saugaus naudojimo, nedelsdami nutraukite jo eksploatavimą. Aiškiai pažymėkite „NENAUDOTI“. Daugiau informacijos pateikta 5 skyriuje.
- 4.2 PO KRITIMO:** Visa įranga, kurią paveikė stabdymo jėgos arba kuri patyrė panašius į tai pažeidimus, kaip aprašyta 5 skyriuje, turi būti nedelsiant nustota naudoti, pažymėta „NETINKAMA NAUDOTI“ ir patikrinta bei atlikta techninė priežiūra, kaip nurodyta 5 ir 6 skyriuose.
- 4.3 KŪNO ATRAMA:** Naudojantis 3M IĮ būtina dėvėti viso kūno apraišas. Naudojami bendrajai apsaugai nuo kritimo, prijunkite prie nugaros jungiamojo žiedo. Tokiais atvejais kaip, pvz., lipant kopėčiomis, gali būti naudinga jungti prie priekinio jungiamojo žiedo. Išsamesnės informacijos apie apraišų jungimo vietas ieškokite apraišų gamintojo instrukcijose.
- 4.4 SUJUNGIMAS:** Kai jungčiai naudojate kablį, įsitinkite, kad iš jo neįmanoma išslysti (žr. 5 paveikslą). Nenaudokite kablių ar jungčių, kurios ne iki galo užsidaro ant tvirtinimo elemento. Nenaudokite nesifiksuojančių karabininių kablių. Tvirtinimo paviršius turi atitikti 2.2 poskyryje nurodytus tvirtinimo įtaisų stiprumo reikalavimus. Laikykitės gamintojo nurodymų dėl kiekvieno sistemos komponento.
- 4.5 NAUDOJIMAS:** Patikrinkite SRD, kaip aprašyta 5.0 skyriuje. Prijunkite SRD prie tinkamo tvirtinimo įtaiso arba tvirtinimo jungties, kaip aprašyta anksčiau. ĮK gelbėjimo virvės gale esantį savaime užsifiksuojančią karabininį kablį užkabinkite ant viso kūno apraišų nugarinio jungiamojo žiedo (žr. 10 paveikslą). Užtikrinkite, kad jungtys būtų tinkamo dydžio, formos ir tvirtumo. Užtikrinkite, kad kablys visiškai uždarytas ir užfiksuotas. Prisitvirtinęs darbuotojas gali laisvai judėti po rekomenduojamą darbo zoną normaliu greičiu. Jei RSQ pasirinkimo rankenėlė nustatyta į padėtį „Kritimo sulaukymas“, SRD sustabdys kritimą. Jei RSQ pasirinkimo rankenėlė nustatyta į „Nusileidimas“, SRD automatiškai nusileis naudotojui į žemesnį lygį, kai nukris. Dirbdami su IĮ visada leiskite gelbėjimo virvei įsitraukti į įtaisą kontroliuojamai. Gelbėjimo virvei ištraukti arba įtraukti, atliekant prijungimo ir atjungimo veiksmus, gali prireikti kontrolinės virvės. Kontrolinė virvė gali būti naudojama, norint išvengti nekontroliuojamo gelbėjimo virvės įtraukimo į IĮ. Atsižvelgiant į darbo vietos aplinką ir sąlygas, galbūt bus būtina pritvirtinti laisvąjį kontrolinės virvės galą, kad ji netrukdytų ir neįsipainiotų į įrangą ir mašinas.
- 4.6 IŠKĖLIMO OPERACIJA:** 12 pav. parodytas integruoto gelbėjimo rankinio suktuvo veikimas „Rebel“ iškėlimo SRD-R. Nebandykite atlikti ištraukimo operacijos, kai gelbėjimo virvė visiškai įtraukta. Norėdami aktyvinti iškėlimo režimą ir naudotis gelbėjimosi rankiniu suktuvu atlikite toliau nurodytus veiksmus.
1. Patraukite už sukimo rankenos, kad atsilaisvintų suktuvo petys.
  2. Pasukite ištraukimo rankenėlę nuo SRD korpuso 180° kampu.
  3. Patraukite ir laikykite padėties fiksatorių į atfiksavimo padėtį.
  4. Paspauskite suktuvo petį ir atleiskite padėties fiksatorių, kad užsifiksuočiau. Jeigu reikia, pasukite suktuvo petį pagal laikrodžio rodyklę, kad susikabintų krumpliaračiai.
  5. Pakelkite ir nuleiskite gelbėjimo virvę, kaip pavaizduota 12 paveiksle.
    - A. Norėdami pakelti: Pasukite suktuvo petį prieš laikrodžio rodyklę.
    - B. Norėdami nuleisti: Šiek tiek pasukite alkūninę svirtį prieš laikrodžio rodyklę, kad atleistumėte kritimo stabdį, tada sukite alkūninę svirtį pagal laikrodžio rodyklę.

*Integruotas gelbėjimo rankinis suktuvas 3 krypčių avarinio ištraukimo SRD-R modeliuose yra skirtas tik gelbėjimo tikslams ir neturėtų būti naudojamas darbo padėčiai nustatyti arba medžiagoms kelti / nuleisti.*

*Pakartotinai paženklintuose „Rebel SRD-R“ nėra perkrovos sankabos, kad būtų apribota jėga, kuria veikiama pavaros komponentai ir prijungtas asmuo. Naudojami iškėlimo režimu venkite virvės atsipalaidavimo. Be to, iškėlimo metu stebėkite žmogų, įsitikindami, kad jo neveikia per didelė kėlimo jėga užkliuvus už kliūtis.*



Gelbėjimo virvei nuleisti ar palaipsniui ištiesti reikia mažiausiai 33,9 kg (75 sv.) apkrovos. Reikia 0,13 kN (30 sv.) jėgos, kad būtų galima naudoti iškėlimo sistemą, kai ji pakrauta iki galo.

Jeigu gelbėjimo virvė iki galo ištraukta arba įtraukta, nustokite sukti rankeną. Sukant toliau galima pažeisti komponentus.

**4.7 IŠKĖLIMO ATJUNGIMAS:** Norėdami atjungti iškėlimo režimą atlikite toliau nurodytus veiksmus.

Išjungus iškėlimo režimą, bet kokia ištiesta gelbėjimo virvės dalis bus įtraukta į SRD. Norėdami išvengti galimo sužeidimo, įtraukite gelbėjimo virvę prieš atjungdami režimą arba laikykite gelbėjimo virvę.

1. Pašalinkite bet kokią gelbėjimo virvės apkrovą.
2. Patraukite ir laikykite padėties fiksatorių į atfiksavimo padėtį.
3. Patraukite suktuvo petį į išorę, kad atsikabintų, ir atleiskite padėties fiksatorių.
4. Ištraukite ir pasukite iškėlimo rankeną 180° link SRD korpuso į laikymo padėtį.

## 5.0 TIKRINIMAS

Nustojus eksploatuoti įrangą, jos negalima pradėti eksploatuoti tol, kol kompetentingas asmuo raštu nepatvirtins, kad ją vėl galima eksploatuoti.

- 5.1 TIKRINIMO DAŽNUMAS.** Naudotojas patikrina produktą prieš kiekvieną naudojimą ir kompetentingas asmuo, išskyrus naudotoją, ne rečiau kaip kas vienerius metus. Dėl dažnesnio įrangos naudojimo ir griežtesnių sąlygų gali prireikti dažniau atlikti kompetentingų asmenų patikrinimus. Tokių patikrinimų dažnumą turėtų nustatyti kompetentingas asmuo, atsižvelgdamas į konkrečias darbo vietos sąlygas.
- 5.2 PATIKRINIMO PROCEDŪROS:** Apžiūrėkite šį gaminį pagal procedūras, išvardytas „Apžiūros ir techninės priežiūros žurnale“. Kiekvieno patikrinimo dokumentus turi saugoti šios įrangos savininkas. Apžiūros ir techninės priežiūros žurnalas turi būti šalia gaminio arba kitaip lengvai prieinamas naudotojams. Rekomenduojama ant gaminio pažymėti kito arba paskutinio patikrinimo datą.
- 5.3 DEFEKTAI.** Jei gaminio negalima grąžinti eksploatuoti dėl esamo defekto arba nesaugios būklės, gaminį reikia sunaikinti arba nusiųsti 3M arba 3M įgaliotam techninės priežiūros centrui remontuoti.
- 5.4 GAMINIO NAUDOJIMO TRUKMĖ.** Gaminio veikimo trukmė priklauso nuo darbo sąlygų ir techninės priežiūros. Jeigu gaminys atitinka patikros kriterijus, juo naudotis galima.

## 6.0 TECHNINĖ PRIEŽIŪRA, REMONTAS IR LAIKYMAS

Įranga, kuriai reikia techninės priežiūros arba kurią planuojama prižiūrėti, turi būti pažymėta užrašu „NENAUDOTI“. Šių įrangos žymenų negalima nuimti, kol neatlikta techninė priežiūra.

**6.1 VALYMAS.** Toliau pateiktos savaime įsitraukiančio įtaiso valymo procedūros.

- Reguliariai plaukite IĮ išorę vandeniniu švelnaus muilo tirpalu. IĮ laikykite taip, kad vandens perteklius galėtų nubėgti. Jeigu reikia, nuvalykite etiketes.
- Nuvalykite gelbėjimo virvę vandeniu ir švelniu muilo tirpalu. Nuplaukite ir atidžiai išdžiovinkite ore. Džiovinimui paspartinti netaikykite dirbtinio karščio. Prisikaupus per daug purvo, dažų ir kt. gelbėjimo virvė gali ne iki galo įsitraukti į korpusą ir sukelti laisvojo kritimo pavojų. Jeigu susikaupia per daug nešvarumų, pakeiskite gelbėjimo virvę.

**6.2 TECHNINĖ PRIEŽIŪRA.** Papildomas techninės priežiūros ir remonto procedūras turi atlikti įgaliotas techninės priežiūros centras. Nebandykite ardyti SRD arba sutepti jokių dalių.

**6.3 LAIKYMAS IR TRANSPORTAVIMAS.** Savaime įsitraukiantį įtaisą laikykite vėsioje, sausoje, švarioje aplinkoje, kur nepasiekia tiesioginė saulės šviesa. Venkite vietų, kuriose galėtų būti cheminių medžiagų garų. Po bet kokio ilgesnio laikymo laikotarpio atidžiai patikrinkite IĮ.

## 7.0 ETIKETĖS

19 pav. pavaizduotos etiketės ant „Rebel“ savaime įsitraukiančių įtaisų ir jų vietos. Ant IĮ turi būti visos etiketės. Jei etiketės nėra visiškai įskaitomos, jas būtina pakeisti. Kiekvienoje etiketėje pateikiama toliau nurodyta informacija:

A	1) Patikrinkite karabininį kablį ir smūgio indikatorius. 2) Patikrinkite IĮ fiksavimo funkciją. 3) Prijunkite IĮ gelbėjimo virvę prie nugarinės apraišų tvirtinimo jungties. 4) Tik vertikalaus naudojimo paskirčiai. Niekada netvirtinkite IĮ žemiau nugarinės apraišų tvirtinimo jungties. 4A) Priekinis kraštas SRD-LE reikalingas tvirtinimo lygiui su užpakalinių durų laidų pynės priedu arba po juo. 4B) Tik vertikalaus naudojimo paskirčiai. Niekada netvirtinkite IĮ žemiau nugarinės apraišų tvirtinimo jungties. 5) Temperatūros diapazonas nuo -40 °C iki 60 °C; 6) Didžiausia keliamoji galia – 140 kg; 7) Valdykite gelbėjimo virvės įsitraukimą į SRD. Niekada neleiskite gelbėjimo virvei įsitraukti laisvai. 8) Išvenkite siūbuojamojo kritimo galimybės dirbdami po tvirtinimo vieta. 9) Draudžiama taisyti. Šį gaminį turi taisyti įgaliotas techninės priežiūros centras. 10) IĮ laikykite vėsioje, sausoje, švarioje aplinkoje, kur nepasiekia tiesioginė saulės šviesa. 11) Neveikite IĮ korpuso apkrova, kurią sukelia krašto briauna. 12) Nepašalinkite etikečių. 13) Perskaitykite visas instrukcijas. 14) Paskelbtosios įstaigos tapatybė. 15) Kito patikrinimo meniu 16) Kito patikrinimo metai 17) Pagaminimo metai ir meniu 18) Partijos numeris 19) Modelio numeris 20) Gelbėjimo virvės ilgis 21) Serijos numeris
B	Norėdami nuleisti gelbėjimo virvę, sukite suktuvo petį pagal laikrodžio rodyklę. Norėdami pakelti gelbėjimo virvę, sukite suktuvo petį prieš laikrodžio rodyklę.
C	1) Patraukite už iškėlimo rankenos. 2) Atlenkite iškėlimo rankeną nuo SRD-R korpuso. 3) Patraukite ir laikykite padėties fiksatorių. 4) Įspauskite ir šiek tiek pasukite suktuvo petį pagal laikrodžio rodyklę. 5) Atleiskite padėties fiksatorių.

**Lentelė 3 – Tikrinimo ir techninės priežiūros žurnalas**

<b>Serijos numeris (-iai):</b>	<b>Pirkimo data:</b>
<b>Modelio numeris:</b>	<b>Naudojimo pradžios data:</b>
<b>Patikrinimą atliko:</b>	<b>Patikrinimo data:</b>

<b>Komponentas:</b>	<b>Tikrinimas:</b>	<b>Naudotojas</b>	<b>Kompetentingas asmuo</b>
II (13 pav.)	Patikrinkite, ar nėra atsipalaidavusių varžtų ir sulinkusių ar pažeistų dalių.	<input type="checkbox"/>	<input type="checkbox"/>
	Patikrinkite, ar korpusas (A) nesulankstytas, neturi įtrūkių ar kitų pažeidimų.	<input type="checkbox"/>	<input type="checkbox"/>
	Patikrinkite, ar sukamoji kilpa (B) nesulankstyta, neturi įtrūkių ar kitų pažeidimų. Sukamoji kilpa turi būti patikimai pritvirtinta prie SRD, bet turi laisvai sukstis.	<input type="checkbox"/>	<input type="checkbox"/>
	Gelbėjimo virvė (C) turi laisvai išsitraukti ir įsitraukti iki galo, niekada neturi atsilaisvinti.	<input type="checkbox"/>	<input type="checkbox"/>
	Įsitikinkite, kad staigiai patraukus gelbėjimo virvę įtaisas užsifiksuoja. Fiksatorius turi laikyti tvirtai, neleisti slysti.	<input type="checkbox"/>	<input type="checkbox"/>
	Etiketės turi būti vietoje ir visiškai įskaitomos (žr. 19 paveikslą).	<input type="checkbox"/>	<input type="checkbox"/>
	Patikrinkite visą įrenginį, ar nėra korozijos požymių.	<input type="checkbox"/>	<input type="checkbox"/>
Sukamasis karabininis kablys ir smūgio indikatorius (14 paveikslas)	Patikrinkite sukamąjį karabininį kablią, ar nėra pažeidimo, korozijos požymių ir ar jis tinkamas naudoti būklės. Sukamoji jungtis turi laisvai sukiotis. Patikrinkite smūgio indikatorius. Jei rodoma raudona juosta (indikacinis režimas), smūginė apkrova įvyko ir SRD reikia pašalinti iš techninės priežiūros ir patikrinti. Nebandykite anuliuoti smūgio indikatoriaus. Gražinkite SRD įgaliotam techninės priežiūros centrui, kad jis būtų nustatytas iš naujo. PASTABA! Kai smūgio indikatorius yra indikavimo būklės, sukamoji jungtis laisvai nesisukioja.	<input type="checkbox"/>	<input type="checkbox"/>
Vielinio lyno gelbėjimo virvė (15 paveikslas)	Patikrinkite vielinį lyną, ar nėra įpjovų, linkių (A), nutrūkusių vielučių (B), priešinės sąsūkos (C), svirinimo tiškalių (D), korozijos, chemiškai pažeistų vietų arba labai nudilusių vietų. Nustumkite lyno apsaugą (E) aukštyn ir patikrinkite įmovas, ar nėra įtrūkių ar pažeidimų; patikrinkite ar nėra vielinio lyno korozijos ir nutrūkusių vielučių. Pakeiskite vielinio lyno sąranką, jeigu vienoje apvijoje yra šešios ar daugiau atsitiktinai išdėstytų nutrūkusių vielučių arba trys ar daugiau nutrūkusių vielučių vienos gijos vienoje apvijoje. Vielinio lyno apvija vadinama jo atkarpa, kurioje gija (stambesnė vielučių grupė) vieną kartą apsisuka aplink lyną. Pakeiskite vielinio lyno mazgą, jei nutrūko laidai 25 mm (1 col.) atstumu nuo movų.	<input type="checkbox"/>	<input type="checkbox"/>
Atsarginė gelbėjimo virvės dalis (16 paveikslas)	Patikrinkite atsarginės gelbėjimo virvės dalies išsivyniojimą. Jeigu kritimas sustabdytas gelbėjimo virvei beveik išsivyniojus, gali būti, kad panaudota atsarginė gelbėjimo virvės dalis. Traukite gelbėjimo virvę iš SRD, kol ji sustos. Jeigu matoma raudona juostelė (G), panaudota atsarginė gelbėjimo virvės dalis ir įrenginį prieš vėl jį naudojant turi sutvarkyti įgaliotas techninės priežiūros centras.	<input type="checkbox"/>	<input type="checkbox"/>
SRD-LE energijos sugėriklis (17 paveikslas)	Savaime įsitraukiančiuose įtaisuose su priekinio krašto galimybe (SRD-LE) patikrinkite, ar nesuaktyvintas integruotas energijos sugėriklis. Iš dangtelio (A) neturi būti ištraukta nė kiek juostos. Dangtelis turi būti pritvirtintas, jame neturi būti plyšių (B) ar kitokių pažeidimų.	<input type="checkbox"/>	<input type="checkbox"/>
Integruotasis iškėlimo rankinis suktuvas (18 paveikslas)	Patikrinkite ar suktuvo petys (A) nedeformuotas ir kitaip nepažeistas. Patikrinkite, ar iškėlimo rankeną (B) galima atlenkti ir užfiksuoti sukimo padėtyje.	<input type="checkbox"/>	<input type="checkbox"/>
	Patikrinkite, ar iškėlimo padėties fiksiatorių (C) galima ištraukti į atfiksavimo padėtį, o paskui atleisti, ir ar jis fiksuoja suktuvo petį tiek veikimo, tiek neveikimo padėtyse.	<input type="checkbox"/>	<input type="checkbox"/>
	Patikrinkite, ar tinkamai veikia iškėlimo funkcija, pakeldami ir nuleisdami bent 34 kg (75 sv.) bandomąjį svorį. Atleidus iškėlimo rankeną krovinys neturi judėti, o rankena turi likti vietoje (nesisukti). Keliant krovinį turi girdėtis tarškėjimas.	<input type="checkbox"/>	<input type="checkbox"/>

<b>Taisomieji veiksmai / priežiūra:</b>	Patvirtino:	Kita patikra numatyta:
	Data:	
<b>Taisomieji veiksmai / priežiūra:</b>	Patvirtino:	Kita patikra numatyta:
	Data:	
<b>Taisomieji veiksmai / priežiūra:</b>	Patvirtino:	Kita patikra numatyta:
	Data:	
<b>Taisomieji veiksmai / priežiūra:</b>	Patvirtino:	Kita patikra numatyta:
	Data:	
<b>Taisomieji veiksmai / priežiūra:</b>	Patvirtino:	Kita patikra numatyta:
	Data:	
<b>Taisomieji veiksmai / priežiūra:</b>	Patvirtino:	Kita patikra numatyta:
	Data:	
<b>Taisomieji veiksmai / priežiūra:</b>	Patvirtino:	Kita patikra numatyta:
	Data:	
<b>Taisomieji veiksmai / priežiūra:</b>	Patvirtino:	Kita patikra numatyta:
	Data:	

Lees alle veiligheidsinformatie in deze instructies voordat u dit product gebruikt. Zorg ervoor dat u alle informatie hebt begrepen en volg de instructies op. HET NALATEN HIERVAN KAN ERNSTIG LETSEL OF DE DOOD TOT GEVOLG HEBBEN.

Deze instructies dienen aan de gebruiker van deze apparatuur verstrekt te worden. Bewaar deze instructies zodat u ze later kunt raadplegen.

## Beoogd gebruik:

Dit product wordt gebruikt als onderdeel van een compleet valbeveiligingssysteem.

Gebruik voor andere toepassingen, inclusief (maar niet beperkt tot) het verplaatsen van materialen, vrijetijdsactiviteiten, sport of andere activiteiten die niet in de gebruiksinstructies omschreven staan, wordt niet goedgekeurd door 3M en kan leiden tot een ongeval met ernstig letsel of de dood tot gevolg.

Dit product mag uitsluitend worden gebruikt door daartoe opgeleide gebruikers en mag uitsluitend worden ingezet voor arbeidsdoeleinden.



## WAARSCHUWING

Dit product wordt gebruikt als onderdeel van een compleet valbeveiligingssysteem. Alle gebruikers moeten volledig zijn opgeleid in de veilige installatie en bediening van hun volledige valbeveiligingssysteem. **Een verkeerd gebruik van dit product kan leiden tot een ongeval met ernstig letsel of de dood tot gevolg.** Raadpleeg alle gebruikershandleidingen en aanbevelingen van de fabrikant voor de juiste keuze, bediening, installatie, onderhoud en service. Raadpleeg uw leidinggevende of neem contact op met 3M Technical Services voor meer informatie.

### • Doe het volgende om de risico's te beperken die gepaard gaan met het werken met een zichzelf aanspannend valstopmiddel, waarbij nalatigheid kan leiden tot ernstig letsel of overlijden:

- Inspecteer het product voor elk gebruik en na elke val, in overeenstemming met de procedures die in deze instructies zijn gespecificeerd.
- Als inspectie een onveilige of defecte toestand uitwijst, mag u het product niet meer gebruiken en dient u het te markeren met de tekst 'NIET GEBRUIKEN'. Vernietig of repareer het product zoals vereist in deze instructies.
- Systemen die onderworpen zijn geweest aan valstop- of botskrachten, moeten onmiddellijk buiten gebruik worden gesteld. Vernietig of repareer het product zoals vereist in deze instructies.
- Zorg ervoor dat valbeveiligingssystemen die zijn samengesteld uit componenten van verschillende fabrikanten compatibel zijn en voldoen aan alle toepasselijke valbeveiligingsvoorschriften, normen of vereisten. Raadpleeg altijd een deskundige en/of een gekwalificeerd persoon voordat u deze systemen gebruikt.
- Zorg ervoor dat de reddingslijn vrij blijft van alle gevaren, inclusief, maar niet beperkt tot: verstreming met gebruikers, andere medewerkers, bewegende machines, andere objecten in de omgeving of geraakt worden door hoger geplaatste voorwerpen die op de reddingslijn of gebruikers kunnen vallen.
- Verdraai de reddingslijn niet en leg er geen knopen in. Zorg ervoor dat de reddingslijn niet in de knoop raakt en altijd aangespannen blijft.
- Voorkom struikelgevaar met de lijnen van het valstopmiddel. Bevestig, indien aanwezig, ongebruikte lijnen van het valstopmiddel aan de bevestigingselementen voor het vastzetten van de vanglijn.
- Overschrijd het aantal toegestane gebruikers zoals omschreven in deze instructies niet.
- Gebruik dit product niet in situaties waar het valpad geblokkeerd is. Er is een vrij valpad vereist om het valstopmiddel te doen vergrendelen. Bij het werken op langzaam bewegend materiaal (zoals zand of graan) of in een besloten of nauwe ruimte kan de gebruiker mogelijk niet voldoende snelheid bereiken om de vergrendeling van het valstopmiddel te activeren.
- Vermijd plotselinge of snelle bewegingen tijdens het werk, omdat hierdoor de het valstopmiddel onbedoeld kan vergrendelen.
- Wees voorzichtig bij het installeren, gebruiken en verplaatsen van het product aangezien de bewegende delen potentiële afknelpunten kunnen creëren.
- Gebruik geschikte randbescherming wanneer de reddingslijn in aanraking kan komen met scherpe randen of schurende oppervlakken.
- Stel het product onmiddellijk buiten gebruik als het in een afdaling is gebruikt.
- Zorg er voor gebruik voor dat het afdalingspad en het landingsgebied vrij zijn van obstakels of gevaren.
- Zorg ervoor dat het product correct is geconfigureerd en geïnstalleerd voor een veilige werking, zoals beschreven in deze instructies.

### • Doe het volgende om de risico's te beperken die gepaard gaan met het werken op hoogte, waarbij nalatigheid kan leiden tot een ongeval met ernstig letsel of de dood tot gevolg:

- Uw gezondheid en lichamelijke conditie moeten u in staat stellen veilig op hoogte te werken en bestand te zijn tegen alle krachten die gepaard gaan met een valstop. Raadpleeg uw arts als u twijfelt of u in staat bent om deze uitrusting te gebruiken.
- Overschrijd nooit de toelaatbare capaciteit van uw valbeveiligingsuitrusting.
- Overschrijd nooit de maximale vrijevalafstand van uw valbeveiligingsuitrusting.
- Gebruik geen valbeveiligingsmiddelen die afgekeurd zijn of als u zich zorgen maakt over het gebruik of de geschiktheid van de apparatuur. Neem voor al uw vragen contact op met 3M Technical Services.
- Sommige combinaties van subsystemen en componenten kunnen de werking van deze uitrusting nadelig beïnvloeden. Gebruik uitsluitend koppelingen die onderling geschikt zijn. Raadpleeg 3M voordat u deze apparatuur gebruikt in combinatie met andere componenten of subsystemen dan die in de gebruiksinstructies beschreven staan.
- Wees extra voorzichtig bij het werken in de buurt van bewegende machines, op plaatsen met elektrische gevaren, extreme temperaturen, chemische gevaren, explosieve of giftige gassen, scherpe randen, ruwe of schurende oppervlakken of onder hoger geplaatste voorwerpen die op u of uw valbeveiligingsuitrusting kunnen vallen.
- Zorg ervoor dat het gebruik van uw product is afgestemd op de gevaren die in uw werkomgeving aanwezig zijn.
- Zorg ervoor dat er voldoende vrije valruimte is bij het werken op hoogte.
- Wijzig of verander uw valbeveiligingsuitrusting nooit. Alleen 3M, of partijen die door 3M schriftelijk bevoegd worden gesteld, mogen reparaties uitvoeren aan uitrustingen die door 3M zijn vervaardigd.
- Voordat u valbeschermingsmiddelen gebruikt, moet u ervoor zorgen dat er een schriftelijk reddingsplan is om snelle redding te kunnen bieden als zich een valincident voordoet.
- Laat na een val de betreffende werknemer onmiddellijk door een arts onderzoeken.
- Gebruik alleen een volledig valbeveiligingsharnas voor het stoppen van een val. Gebruik geen lichaamsgordel.
- Minimaliseer het risico op zwenkvallen door zo recht mogelijk onder het ankerpunt te werken.
- Bij het trainen met dit product moet een secundair valbeveiligingssysteem worden gebruikt. Leerlingen mogen niet worden blootgesteld aan onbedoeld valgevaar.
- Draag altijd geschikte persoonlijke beschermingsmiddelen bij het installeren, gebruiken of inspecteren van het product.
- Werk nooit onder een hangende lading of medewerker.
- Zorg ervoor dat u te allen tijde aangelijnd blijft tijdens het werken op hoogte.

Noteer vóór u deze apparatuur gebruikt de productidentificatiegegevens van het ID-label in het 'Inspectie- en onderhoudslogboek' achter in deze handleiding.

Zorg er altijd voor dat u de nieuwste versie van uw 3M-handleiding gebruikt. Ga naar de 3M-website of neem contact op met 3M Technical Services voor bijgewerkte handleidingen.


## OMSCHRIJVING:

Afbeelding 2 geeft de hoofdonderdelen weer van de Protecta Rebel zelfintrekbare valstopapparaten (Self-Retracting Devices, SRD's). Rebel SRD's zijn op een trommel gerolde reddingslijnen van staaldraad (A) die worden opgerold in een thermoplastische aluminium behuizing (B). Ze kunnen met een karabijnhaak, die wordt bevestigd aan het warteloog (C) aan de bovenkant van het valstopapparaat, hangend worden bevestigd aan een verankering. Een zelfblokkerende karabijnhaak (D) aan het uiteinde van de reddingslijn wordt bevestigd aan de aangewezen valstopverbinding op een volledig lichaamsharnas. Een bumper (E) beschermt de draadkabel en draadogen die de karabijnhaak beveiligen tegen slijtage en corrosie.


Afbeelding 1 definieert de modellen Rebel-valstopapparaten waarop deze instructiehandleiding van toepassing is. De volgende typen valstopapparaten zijn beschikbaar:

- **Zelfintrekbare valstopapparaat (afbeelding 2A):** Zelfintrekbare valstopapparaten (Self-Retracting Devices, SRD's) zijn geschikt voor toepassingen waarbij de reddingslijn verticaal blijft tijdens het gebruik en een mogelijke vrije val wordt beperkt tot 0,6 m (2 ft).
- **Zelfintrekbare valstopapparaat voor overhangwerkzaamheden (afbeelding 2B):** Zelfintrekbare valstopapparaten voor overhangwerkzaamheden (Self-Retracting Devices with Leading Edge, SRD-LE's) zijn geschikt voor toepassingen waarbij de reddingslijn horizontaal blijft tijdens het gebruik en een mogelijke vrije val wordt beperkt tot 1,5 m (5 ft). SRL-LE's hebben een geïntegreerde energieabsorberende inrichting (F), of een vergelijkbaar onderdeel, tegen de impactbelasting van de reddingslijn over een scherpe of schurende rand tijdens een valstop en om de valstopkrachten op de gebruiker tot een minimum te beperken.
- **Zelfintrekbare valstopapparaat met redding (afbeelding 2C):** Zelfintrekbare valstopapparaten met redding (Self-Retracting Devices with Rescue, SRD-R's) zijn voorzien van een integraal hulpmiddel voor reddingsassistentie bij het tillen of laten zakken van de persoon die gered moet worden. SRD-R's zijn uitgerust met een 3-weg handkruk voor terughaling in noodgevallen (G). Enkele modellen omvatten mogelijk een driepotige montagebeugel (H) om de SRD-R te monteren op de poot van een driepoot voor toepassingen in besloten ruimten.

**Tabel 1 – Specificaties**

 Behuizingsoverkepingen	Materiaal
9508320 + 9520047	Aluminium – 15 m (50 ft) SRD-Rs
9511070 + 9511071	Thermoplastisch – 6 m (20 ft) SRD's, 10 m (33 ft) SRD's en 6 m (20 ft) Toonaangevende SRD-LE's
9520021 + 9520022	Aluminium – 6 m (20 ft) and 10 m (33 ft) SRD's
9520044 + 9520045	Thermoplastisch – 15 m (50 ft) SRD's en 10 m (33 ft) Toonaangevende SRD-LE's
9520046 + 9520047	Aluminium – 15 m (50 ft) SRD's
9520056 + 9520057	Thermoplastisch – 20 m (66 ft), 25 m (82 ft), 30 m (100 ft) SRD's
9520058 + 9520059	Aluminium – 20 m (66 ft), 25 m (82 ft), and 30 m (100 ft) SRD's

 Reddingslijn	Omschrijving	Haak
9501087 + 2000175	5,56 mm (7/32 in) gegalvaniseerde stalen draadkabel, zelfborgende draaibare musketonhaak van gelegeerd staal met indicator	2000175
9501479 + 2000175	4,76 mm (3/16 in) gegalvaniseerde stalen draadkabel, zelfborgende draaibare musketonhaak van gelegeerd staal met indicator	2000175
9501613 + 2000170	4,76 mm (3/16 in) roestvrijstalen draadkabel, zelfborgende roestvrijstalen draaibare karabijnhaak met indicator	2000170
9501613 + 2000175	4,76 mm (3/16 in) roestvrijstalen draadkabel, zelfborgende draaibare musketonhaak van gelegeerd staal met indicator	2000175
9501613 + 2100044	4,76 mm (3/16 in) roestvrijstalen draadkabel, zelfborgende roestvrijstalen draaibare musketonhaak met indicator	2100044

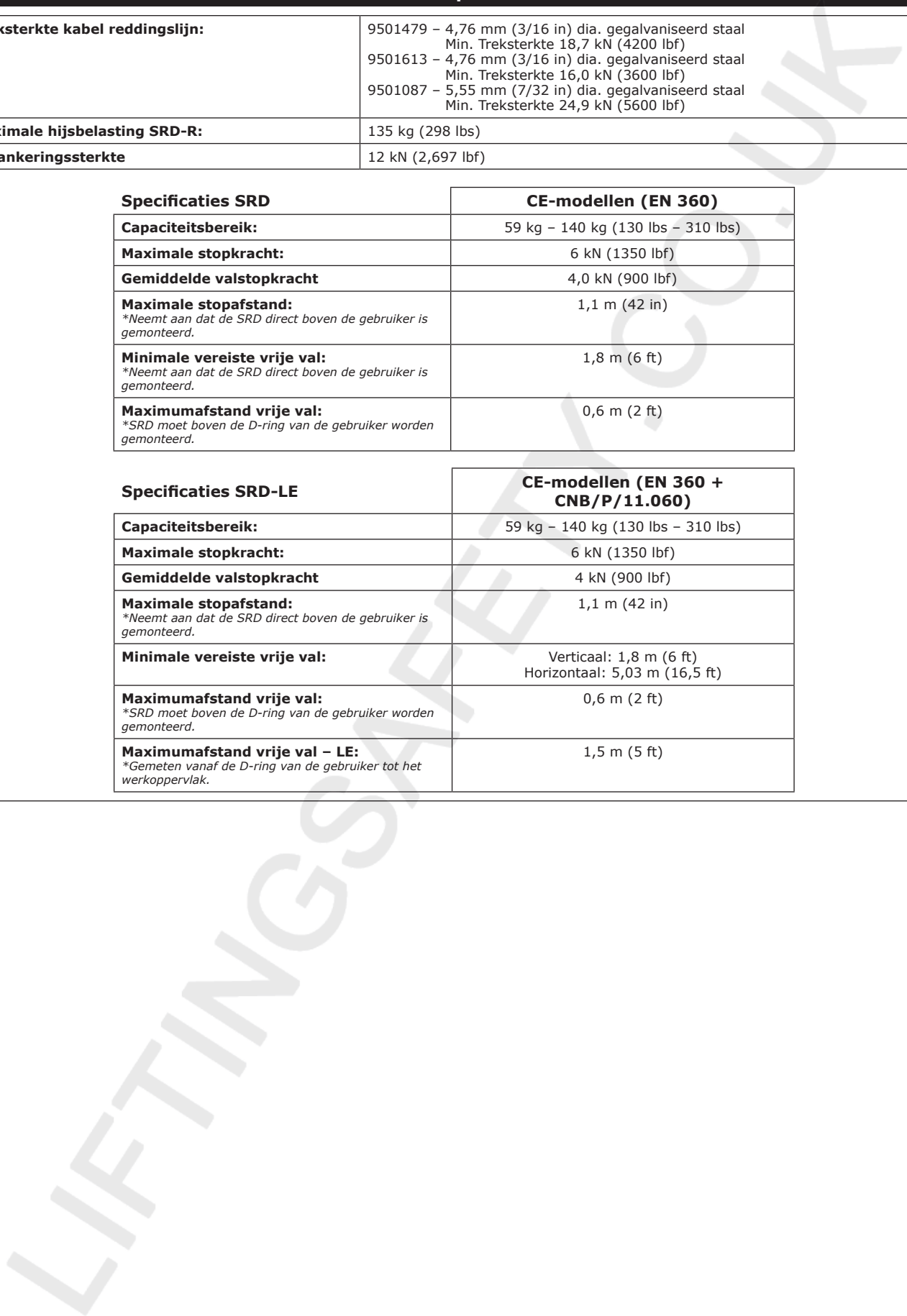
Haak	Omschrijving	Materiaal	Sterkte van de opening	Doorgangsgrootte
2000170	Zelfborgende draaiende karabijnhaak met impactindicator	Roestvrij staal	16 kN (3600 lbf)	1,9 cm (0,75 in)
2000175	Zelfborgende draaiende musketonhaak met impactindicator	Verzinkt staal	16 kN (3600 lbf)	1,9 cm (0,75 in)
2100044	Zelfborgende draaiende musketonhaak met impactindicator	Roestvrij staal	16 kN (3600 lbf)	1,9 cm (0,75 in)

**Tabel 1 – Specificaties**

<b>Treksterkte kabel reddingslijn:</b>	9501479 – 4,76 mm (3/16 in) dia. gegalvaniseerd staal Min. Treksterkte 18,7 kN (4200 lbf) 9501613 – 4,76 mm (3/16 in) dia. gegalvaniseerd staal Min. Treksterkte 16,0 kN (3600 lbf) 9501087 – 5,55 mm (7/32 in) dia. gegalvaniseerd staal Min. Treksterkte 24,9 kN (5600 lbf)
<b>Maximale hijsbelasting SRD-R:</b>	135 kg (298 lbs)
<b>Verankeringssterkte</b>	12 kN (2,697 lbf)

<b>Specificaties SRD</b>	<b>CE-modellen (EN 360)</b>
<b>Capaciteitsbereik:</b>	59 kg – 140 kg (130 lbs – 310 lbs)
<b>Maximale stopkracht:</b>	6 kN (1350 lbf)
<b>Gemiddelde valstopkracht</b>	4,0 kN (900 lbf)
<b>Maximale stopafstand:</b> <i>*Neemt aan dat de SRD direct boven de gebruiker is gemonteerd.</i>	1,1 m (42 in)
<b>Minimale vereiste vrije val:</b> <i>*Neemt aan dat de SRD direct boven de gebruiker is gemonteerd.</i>	1,8 m (6 ft)
<b>Maximumafstand vrije val:</b> <i>*SRD moet boven de D-ring van de gebruiker worden gemonteerd.</i>	0,6 m (2 ft)

<b>Specificaties SRD-LE</b>	<b>CE-modellen (EN 360 + CNB/P/11.060)</b>
<b>Capaciteitsbereik:</b>	59 kg – 140 kg (130 lbs – 310 lbs)
<b>Maximale stopkracht:</b>	6 kN (1350 lbf)
<b>Gemiddelde valstopkracht</b>	4 kN (900 lbf)
<b>Maximale stopafstand:</b> <i>*Neemt aan dat de SRD direct boven de gebruiker is gemonteerd.</i>	1,1 m (42 in)
<b>Minimale vereiste vrije val:</b>	Verticaal: 1,8 m (6 ft) Horizontaal: 5,03 m (16,5 ft)
<b>Maximumafstand vrije val:</b> <i>*SRD moet boven de D-ring van de gebruiker worden gemonteerd.</i>	0,6 m (2 ft)
<b>Maximumafstand vrije val – LE:</b> <i>*Gemeten vanaf de D-ring van de gebruiker tot het werkoppervlak.</i>	1,5 m (5 ft)



## 1.0 TOEPASSINGEN

- 1.1 DOEL:** De zelfintrekkende valstopapparaten (Self Retracting Devices, SRD's) van 3M zijn ontworpen als onderdeel van een persoonlijk systeem voor valbescherming (Personal Fall Arrest System, PFAS). Afbeelding 1 toont valstopapparaten die in deze gebruiksaanwijzing behandeld worden, evenals typische toepassingen ervan. Deze systemen kunnen worden gebruikt in de meeste situaties waarin een combinatie van mobiliteit voor de werknemer en valbeveiliging is vereist, zoals bij inspectiewerkzaamheden, algemene bouwwerkzaamheden, onderhoudswerkzaamheden, olieproductie, werkzaamheden in besloten ruimten, enz.
- 1.2 NORMEN:** Uw valstopapparaat voldoet aan de nationale of regionale norm(en) die staan vermeld op de omslag van deze instructies. Als dit product opnieuw verkocht wordt buiten het oorspronkelijke land van bestemming, dient de wederverkoper deze instructies te leveren in de taal van het land waarin het product gebruikt zal worden.
- 1.3 TRAINING:** Deze apparatuur is bedoeld voor gebruik door personen die zijn getraind in de juiste toepassing en het juiste gebruik. Het is de verantwoordelijkheid van de gebruiker om ervoor te zorgen bekend te zijn met deze instructies en getraind te zijn in het juiste onderhoud en gebruik van deze apparatuur. Gebruikers moeten bovendien op de hoogte zijn van de operationele eigenschappen, toepassingsbeperkingen en gevolgen van onjuist gebruik.
- 1.4 BEPERKINGEN:** Houd tijdens het installeren of gebruiken van deze apparatuur altijd rekening met de volgende beperkingen en eisen:
- **Capaciteit:** Dit valstopapparaat werd getest op geschiktheid voor gebruik door één persoon met een totaalgewicht (kleding, uitrusting, enz.) van 59 kg (130 lbs) tot 140 kg (310 lbs).<sup>1</sup> Zorg ervoor dat alle onderdelen van uw systeem de juiste capaciteit hebben voor uw toepassing.
  - **Verankering:** Verankeringsvereisten variëren afhankelijk van de toepassing van de valbeveiliging. Constructie waarop de verankeringsconnector wordt geplaatst of gemonteerd, moet voldoen aan de verankeringspecificaties die in Tabel 1 staan.
  - **Blokkeersnelheid:** Situaties waarin geen vrij valpad mogelijk is, dienen vermeden te worden. Wanneer er gewerkt wordt in besloten of nauwe ruimten, is het mogelijk dat het lichaam tijdens een val niet voldoende snelheid kan bereiken om de vergrendeling van het valstopapparaat bij een val te activeren. Wanneer er gewerkt wordt op zich langzaam verplaatsende materialen, zoals zand of korrelig materiaal, wordt er wellicht onvoldoende snelheid gemaakt om de vergrendeling van het valstopapparaat te activeren. Om positieve vergrendeling van het valstopapparaat te garanderen, is een vrij valpad nodig.
  - **Vrije val:** Het op de juiste manier gebruiken van een valstopapparaat bij toepassingen boven het hoofd zal de vrije valafstand minimaliseren. Volg de onderstaande instructies om een grotere vrije valafstand te voorkomen:
    - Klem de reddingslijn niet, leg er geen knoop in en voorkom niet op een andere manier dat deze niet meer kan intrekken of strak kan staan.
    - Vermijd speling in de reddingslijn van het valstopapparaat.
    - Werk niet boven het niveau van uw verankering.
    - Verleng valstopapparaten niet door er een lijn of soortgelijk onderdeel aan te koppelen zonder dat u 3M hebt geraadpleegd.Zie tabel 1 van deze instructie voor productspecifieke informatie met betrekking tot de vrije val en vrije val waarden.
  - **Scheef vallen:** Een scheve val doet zich voor wanneer het verankeringspunt zich niet direct boven het valpunt bevindt. De kracht waarmee een voorwerp tijdens een scheve val geraakt kan worden, kan ernstig letsel veroorzaken (zie afbeelding 3A). Minimaliseer scheef vallen door zo recht mogelijk onder het ankerpunt te werken (afbeelding 3B). Van het verankeringspunt (afbeelding 3C) af werken vergroot de impact van een zwenkval en verhoogt de vereiste valspeling (Fall Clearance, FC).
  - **Vrije valspeling:** Afbeelding 3B illustreert de berekening van de valspeling. Valspeling (Fall Clearance, FC) is de som van de vrije val (Free Fall, FF), vertragingafstand (Deceleration Distance, DD) en de veiligheidsfactor (Safety Factor, SF):  $FC = FF + DD + SF$ . Verschuiving van de D-ring en rek van het harnas zijn opgenomen in de veiligheidsfactor. De waarden van de valspeling zijn berekend en worden in kaart gebracht in afbeelding 4. Voor alle waarden in afbeelding 4 is een veiligheidsfactor van 1 m (3,28 ft) gebruikt. Afbeeldingen 3B en 3C laten de vrije valspeling zien. Voor vallen vanuit een staande positie waarbij het valstopapparaat direct boven het hoofd is verankerd (afbeelding 3B) moeten SRD-valstopsystemen de minimale vrijevalspeling hebben die is gespecificeerd in tabel 1. Voor vallen vanaf een kniel- of kruippositie is 1 meter (3 voet) extra vrijevalspeling vereist. Bij een scheve val (afbeelding 3C) is de totale verticale valafstand groter dan wanneer de gebruiker recht onder het verankeringspunt gevallen zou zijn. Daardoor neemt mogelijk de benodigde vrijevalspeling toe. Afbeelding 4 en de bijbehorende tabel definiëren de maximale werkradius (C) voor verschillende SRD-verankeringshoogten (A) en vrijevalspelingen (B). De aanbevolen werkzone is beperkt tot het gebied binnen de maximale werkradius.
  - **Gevaren:** Als deze uitrusting in zones met omgevingsgevaar wordt gebruikt, kan het zijn dat er extra maatregelen nodig zijn om de kans op letsel of schade aan de uitrusting te verkleinen. De gevaren kunnen bestaan uit, maar zijn niet beperkt tot: hitte, bijtende chemicaliën, corrosieve omgevingen, hoogspanningsleidingen, explosieve of giftige gassen, bewegende machines en materiaal boven het hoofd dat kan vallen en de gebruiker of het valstopsysteem kan raken. Vermijd werkzaamheden in situaties waarin uw reddingslijn de reddingslijn van een collega kan kruisen of daarmee verstrengeld kan raken. Vermijd werkzaamheden in situaties waarin een voorwerp kan vallen en de reddingslijn kan treffen, waardoor u uw evenwicht verliest of waardoor de reddingslijn beschadigd raakt. Voorkom dat de reddingslijn onder armen of tussen benen door loopt.
  - **Scherpe randen:** Vermijd werken waar de reddingslijn in contact kan komen met onbeschermd of scherpe randen, of hierlangs kan schuren. Als contact met een scherpe rand onvermijdelijk is, bedek die rand dan met beschermingsmateriaal.

## 2.0 GEBRUIK

- 2.1 REDDINGSPLAN:** Wanneer deze apparatuur wordt gebruikt, dient de werkgever te beschikken over een reddingsplan. Ook moet de werkgever de middelen binnen bereik hebben om het reddingsplan te implementeren en te communiceren met gebruikers, bevoegde personen en reddingswerkers.

<sup>1</sup> **Capaciteit:** Valstopapparaten met een 3-weg terughaalstelsel hebben een maximale hefbelasting van 135 kg (298 lbs).

- 2.2 INSPECTIEFREQUENTIE:** Valstopapparaten moeten vóór elk gebruik worden geïnspecteerd door een bevoegde persoon<sup>1</sup> of reddingswerker<sup>2</sup> (zie tabel 2). Bovendien dient een andere deskundige persoon dan de gebruiker<sup>3</sup> het apparaat periodiek te inspecteren met intervallen van maximaal één jaar. Extreme werkomstandigheden (ruige omgeving, langdurig gebruik, enz.) kunnen vereisen dat de frequentie van inspecties door deskundigen wordt opgevoerd. De inspectieprocedures zijn beschreven in het "Logboek voor inspectie en onderhoud" (tabel 3). De resultaten van de inspectie door de deskundige moeten worden geregistreerd in het "Logboek voor inspectie en onderhoud" of met het RFID-systeem worden geregistreerd.
- 2.3 NORMAAL GEBRUIK:** Bij normale werkzaamheden kan de reddingslijn zonder onregelmatigheden uit- en intrekken wanneer de medewerker met normale snelheid beweegt. Wanneer er een val plaatsvindt, zal het snelheidsgevoelige remsysteem geactiveerd worden. Daardoor wordt de val gestopt en wordt veel van de vrijgekomen energie geabsorbeerd. Tijdens normale werkzaamheden dienen plotselinge of snelle bewegingen vermeden te worden; hierdoor kan het valstopapparaat vergrendeld worden. Voor valpartijen die zich voordoen terwijl de reddingslijn bijna helemaal is uitgetrokken, is een reservereddingslijn of schokbreker opgenomen, zodat de valstop een beperkte impact heeft. Als het valstopapparaat onderworpen is geweest aan valstopkrachten, moet u het uit dienst nemen en als "ONBRUIKBAAR" markeren of etiketteren. Inspecteer en onderhoud het zoals voorgeschreven in de secties 5 en 6.
- 2.4 LICHAAMSONDERSTEUNING:** Het valstopapparaat moet worden gebruikt met een volledig lichaamsharnas. Het verbindingspunt van het harnas moet boven het zwaartepunt van de gebruiker liggen. Gebruik van het valstopapparaat met een lichaamsgordel is niet toegestaan. Als er een val plaatsvindt met een lichaamsgordel, kan deze onbedoeld losschieten en lichamelijk trauma veroorzaken door onjuiste lichaamsondersteuning.
- 2.5 COMPATIBILITEIT VAN COMPONENTEN:** Tenzij anders aangegeven is 3M-apparatuur ontworpen voor gebruik met alleen door 3M goedgekeurde onderdelen en subsystemen. Substituties of vervangingen door middel van niet-goedgekeurde onderdelen of subsystemen kunnen de compatibiliteit van apparatuur in gevaar brengen en kunnen de veiligheid en betrouwbaarheid van het volledige systeem negatief beïnvloeden. Lees en volg de instructies van de fabrikant voor onderdelen en subsystemen van uw persoonlijke valstopstelsel.
- 2.6 COMPATIBILITEIT VAN CONNECTORS:** Connectors worden als compatibel met verbindende elementen beschouwd wanneer deze zijn ontwikkeld om op een dusdanige manier samen te werken dat de maten en vormen, ongeacht hun oriëntatie, geen onbedoeld opengaan van snappermechanismen veroorzaken. Neem contact op met 3M als u vragen hebt over compatibiliteit.

Connectors die worden gebruikt om het valstopapparaat aan te hangen, moeten voldoen aan EN362. Connectors moeten compatibel zijn met de verankering of andere systeemcomponenten. Gebruik geen apparatuur die niet compatibel is. Verbindingen die niet compatibel zijn, kunnen onbedoeld losraken (zie afbeelding 5). Connectors moeten compatibel zijn qua grootte, vorm en sterkte. Zelfvergrendelende musketonhaken en karabijnen zijn vereist. Als het verbindingselement waaraan de musketonhaak of karabijner bevestigd wordt, te klein of onregelmatig van vorm is, kan er een situatie optreden waarbij het verbindingselement kracht uitoefent op de opening van de musketonhaak of karabijner (A). Door deze kracht kan de opening (B) opengaan, waardoor de musketonhaak of karabijner kan losraken van het verbindingspunt (C).

- 2.7 VERBINDINGEN MAKEN:** Met deze apparatuur mogen alleen zelfvergrendelende musketonhaken en karabijnen gebruikt worden. Zorg ervoor dat de verbindingen qua grootte, vorm en sterkte bij elkaar passen. Gebruik geen apparatuur die niet compatibel is. Controleer of alle verbindingen volledig gesloten en vergrendeld zijn. 3M-connectors (musketonhaken en karabijnen) zijn ontworpen om alleen gebruikt te worden zoals in de gebruikersinstructies van elk product vermeld staat. Zie afbeelding 6 voor voorbeelden van onjuiste verbindingen. Verbind musketonhaken of karabijnen niet:
  - A. Met een D-ring waaraan al een andere connector is bevestigd.
  - B. Op een wijze die zou resulteren in een belasting op de snapper. Musketonhaken met een grote halsopening mogen niet worden verbonden met standaardformaat D-ringen of vergelijkbare voorwerpen. Dit resulteert in een belasting van de snapper als de haak of D-ring draait, tenzij de musketonhaak is voorzien van een snapper die geschikt is voor 3.600 lb (16 kN). Controleer de markering op uw musketonhaak en ga na of deze geschikt is voor uw toepassing.
  - C. Bij een onjuiste aankoppeling, waarbij onderdelen die uitsteken buiten de nok van musketonhaak of karabijner op het anker haken en zonder visuele bevestiging volledig aangekoppeld lijken te zijn aan het verankeringspunt.
  - D. Aan elkaar.
  - E. Direct aan singelband of touwlijn of 'tie-back' (tenzij de instructies van de fabrikant een dergelijke verbinding voor zowel de lijn als de connector specifiek toestaan).
  - F. Aan elk voorwerp dat een dusdanige vorm of een dusdanig formaat heeft dat de musketonhaak of karabijner niet kan worden gesloten en vergrendeld of waarbij uitrollen kan optreden.
  - G. Op een wijze waarbij de connector onder belasting geen correcte positie kan innemen.

**Tabel 2 – inspectierooster**

Soort gebruik	Voorbeelden van toepassingen	Gebruiksvoorwaarden	Inspectiefrequentie
			Deskundig persoon
Weinig frequent tot licht	Redding en ruimte met beperkte toegang, fabrieksonderhoud	Goede opslagcondities, binnen- of niet frequent buitengebruik, kamertemperatuur, schone ruimten	Jaarlijks
Gemiddeld tot zwaar	Transport, woningbouw, utiliteiten, magazijn	Redelijke opslagcondities, binnen- en uitgebreid buitengebruik, alle temperaturen, schone of stoffige ruimten	Halfjaarlijks tot jaarlijks
Zeer zwaar tot continu	Beroepsmatige bouw, olie en gas, mijnbouw	Ruwe opslagomstandigheden, lang of continu buitengebruik, alle temperaturen, vuile ruimten	Ieder kwartaal tot halfjaarlijks

**1 Bevoegd persoon:** Een persoon die door de werkgever aangewezen is om werk uit te voeren op een locatie waar de persoon blootgesteld wordt aan een valrisico.

**2 Redder:** Een andere persoon of andere personen dan de te redden persoon, die optreedt of optreden om een geassisteerde redding uit te voeren door middel van een reddingssysteem.

**3 Deskundige:** Een persoon die door zijn werkgever is aangeduid als verantwoordelijke voor de directe supervisie, uitvoering en opvolging van het door de werkgever beheerde programma voor valbescherming, die op basis van zijn opleiding en kennis in staat is om de bestaande en potentiële valrisico's te identificeren, te evalueren en aan te pakken, en die van de werkgever de bevoegdheid heeft gekregen om onmiddellijk corrigerende maatregelen te nemen in verband met dergelijke risico's.

**2.8 ZELFINTREKKENDE VALSTOPAPPARATEN MET LEADING EDGE (SRL-LE):** De zelfintrekkende valstopapparaten (Self-Retracting Devices, SRD's) waarop deze instructiehandleiding betrekking heeft, omvatten zelfintrekkende apparaten met functionaliteiten voor overhangwerkzaamheden (Self-Retracting Lanyards with Leading Edge capability, SRL-LE's). Zie afbeelding 1 voor specifieke SRL-LE-modellen. SRL-LE's zijn getest voor horizontaal gebruik en vallen over een stalen rand zonder bramen. SRL-LE's kunnen worden gebruikt in situaties waarin een val over een stalen rand mogelijk is, zoals situaties bij stalen constructies of metalen beplating.

**Voorzorgsmaatregelen voor overhangwerkzaamheden:** Neem de volgende voorzorgsmaatregelen in acht bij het gebruiken van SRL-LE's:

- De toegestane hoek van de nieuwe richting van het reddingslijngedeelte van de SRL-LE aan de rand waarover een val mogelijk is (gemeten tussen de twee zijden die door de nieuwe richting van de reddingslijn worden gevormd) moet ten minste 90 graden zijn (zie afbeelding 7).
- Het verankeringspunt moet zich op dezelfde hoogte bevinden als de rand waarover een val mogelijk is, of boven de rand. Verankeringspunten onder de rand zijn gevaarlijk, omdat hierdoor de reddingslijn opnieuw wordt gericht onder een hoek die scherper is dan 90 graden (zie afbeelding 7).
- Raadpleeg paragraaf 1 voor beperkingen aan het toegestane werkgebied met betrekking tot het verankeringspunt, inclusief factoren als scheef vallen, slijtage van de lijn aan de rand en het gebruik van één enkel verankeringspunt versus verankeringen waarbij horizontale beweging mogelijk is (bijv. horizontale reddingslijn of horizontale rail).
- Het gebruik van SRL-LE's in combinatie met een horizontale reddingslijn of horizontale rail is uitsluitend toegestaan zoals voorgeschreven in de productinstructies voor de horizontale reddingslijn of horizontale rail.
- Werk niet aan de overstaande zijde van een opening, tegenover het SRL-LE ankerpunt.
- In geval van een val over de rand zijn er mogelijk speciale reddingsmaatregelen nodig.
- Zorg er bij het plannen van uw overhangtoepassing voor dat de parameters van het werkgebied liggen binnen de minimale terugsprongafstand, de maximale vrijevalafstand, en de minimale vrije val die vereist zijn bij een val over een rand zoals aangegeven in de labeling van de SRL-LE.

**Berekening van vrije val voor overhangsituatie:** De minimale vrije val vereist bij het vallen over een rand kan worden berekend op basis van de terugsprongafstand en de afstand langs de rand van uw overhangtoepassing (zie afbeelding 8). Om de vrije val te berekenen op basis van de tabel in afbeelding 8:

1. Kies de waarde die het dichtst bij uw terugsprongafstand (A) ligt in de rijkoppen aan de linkerzijde.
2. Kies de waarde die het dichtst bij uw werkafstand langs de rand (B) ligt in de bovenste kolomkoppen. Gearceerde gebieden zonder waarde geven aan dat de afstand langs de rand buiten de veilige werkradius voor uw gekozen terugsprongafstand ligt.
3. De vrije val die vereist is bij het vallen over een rand (C) is de waarde die wordt vermeld op het snijpunt van de rij gekozen in stap 1 en de kolom gekozen in stap 2.
4. Herhaal de vorige stappen voor elke rand waar iemand overheen kan vallen om een veilige verankeringspositie en de toegestane werkradius te bepalen.

**CE-definities voor scherpe randen:** Deze CE-zelfintrekkende apparaten zijn succesvol getest voor gebruik in horizontale positie en voor het vallen over stalen randen zonder oneffenheden. De beperking van de terugsprongafstanden zoals afbeelding 8 laat zien, moet worden nagevolgd. Vermijd werken waar de valstoplijn voortdurend of herhaaldelijk in contact kan komen met onbeschermd of scherpe randen, of hierlangs kan schuren. Laat dit contact niet plaatsvinden of bescherm randen met een sterke opvulling of andere bescherming. Type randen zijn als volgt gedefinieerd:

**VG 11.60 revisie 6 Type A randdefinitie:** Bij deze test werd gebruikgemaakt van een stalen rand met een straal van  $r = 0,5$  mm, zonder oneffenheden. Voor het testen kan de apparatuur gebruikt worden over soortgelijke randen, zoals bijvoorbeeld bij stalen profielen, houten balken of een bekledingslaag of afgeronde borstweringen.



### 3.0 GOEDKEUREN

- 3.1 PLANNING:** Plan uw valbeveiligingssysteem voor u begint met werken. Houd rekening met alle factoren die uw veiligheid voor, tijdens en na een val kunnen beïnvloeden. Neem alle eisen en beperkingen die in deze handleiding zijn gedefinieerd in overweging.
- 3.2 VERANKERING:** Afbeelding 9 toont typische SRL-verankeringsverbindingen: De verankering (A) moet direct boven het hoofd, om het risico op vrije val en scheef vallen zo klein mogelijk te houden (zie deel 2). Kies een vast verankeringspunt dat de statische belastingen die zijn gedefinieerd in Deel 2.2 kan dragen. Het warteloog op de SRD is voorzien van een karabinhaak (B). Verbind de karabiner direct met de ankerstructuur (wapening, hoekijzer, enz.), een tie-off adapter (C), of verankeringsverbindingpunt (D).
- 3.3 HARNASVERBINDING:** Een volledig lichaamsharnas is vereist voor valstoptoepassingen. Verbind de musketonhaak (A) op de SRD-reddingslijn aan de dorsale D-ring op de rug (B) van het volledig lichaamsharnas. (zie afbeelding 10). Voor situaties als het beklimmen van een ladder kan het nuttig zijn om deze met de borst-D-ring aan de voorkant van het harnas te verbinden. Raadpleeg de instructies van de fabrikant van het harnas voor details met betrekking tot het gebruik van de harnasverbindingpunten.
- 3.4 MONTAGE DRIEPOOT:** Afbeelding 11 toont de installatie van het Rebel zelfintrekbare valstopapparaat met handkruk met terughaling op een Protecta-driepoot. De SRD-R is gemonteerd op een poot van de driepoot en de reddingslijn is door middel van een katrolsysteem geleid op de kop van de driepoot: Zie voor details de bij uw driepoot en montagebeugel meegeleverde instructies.

### 4.0 GEBRUIK

*Personen die de zelfintrekkende valstopapparaten (SRD's) van Rebel voor het eerst of onregelmatig gebruiken, moeten eerst de "Veiligheidsinformatie" aan het begin van deze handleiding doornemen voordat ze het zelfintrekkende valstopapparaat gebruiken.*

- 4.1 VOÓR ELK GEBRUIK:** Controleer of uw werkgebied en valbeveiligingssysteem voldoen aan alle criteria die in deze instructies zijn gedefinieerd. Controleer of er een formeel reddingsplan aanwezig is. Inspecteer het product volgens de 'Gebruikers'-inspectiepunten zoals gedefinieerd in het 'Logboek voor inspectie en onderhoud'. Als de inspectie een onveilige situatie of defect aan het licht brengt of als er twijfel bestaat over de veiligheid van het product, moet u dit onmiddellijk buiten gebruik stellen. Markeer het duidelijk met de tekst "NIET GEBRUIKEN". Zie paragraaf 5 voor meer informatie.
- 4.2 NA EEN VAL:** Alle uitrusting die is blootgesteld aan de krachten van een valstop of die beschadigingen vertoont die door de kracht van een valstop zouden kunnen zijn veroorzaakt zoals beschreven in deel 5, moeten onmiddellijk worden verwijderd, gemarkeerd als 'ONBRUIKBAAR', en geïnspecteerd en onderhouden zoals beschreven in de hoofdstukken 5 en 6.
- 4.3 LICHAAMSONDERSTEUNING:** Bij gebruik van SRD's van 3M moet een volledig lichaamsharnas worden gedragen. Voor gebruik als algemene valbescherming koppelt u het apparaat vast aan de rug-D-ring. Voor situaties als het beklimmen van een ladder kan het nuttig zijn om deze met de borst-D-ring aan de voorkant van het harnas te verbinden. Raadpleeg de instructies van de fabrikant van het harnas voor details met betrekking tot het gebruik van de harnasverbindingpunten.
- 4.4 VERBINDINGEN MAKEN:** Wanneer u een haak gebruikt om een verbinding te maken, zorg er dan voor dat deze niet los kan raken (zie afbeelding 5). Gebruik geen haken of connectors die niet volledig over het bevestigingsobject sluiten. Gebruik geen musketonhaken zonder vergrendeling. Het bevestigingsoppervlak moet voldoen aan de vereiste verankeringssterkte, zoals is vermeld in sectie 2.2. Volg de instructies van de fabrikant voor elk onderdeel van het systeem.
- 4.5 BEDIENING:** Inspecteer de SRD zoals beschreven in sectie 5.0. Sluit de SRD aan op een geschikte verankering of verankeringsconnector zoals hierboven beschreven staat. Verbind de zelfborgende musketonhaak aan het einde van de reddingslijn met de rug-D-ring op het volledige lichaamsharnas (zie afbeelding 10). Zorg ervoor dat de verbindingen qua grootte, vorm en sterkte bij elkaar passen. Controleer of de haak volledig gesloten en geborgd is. Eenmaal vastgekoppeld kan de persoon bij normale snelheden vrij bewegen binnen de aanbevolen werkruimte. Wanneer de RSQ-selectieknop is ingesteld op 'Valstop' zal de SRD de val stoppen. Wanneer de RSQ-selectieknop is ingesteld op 'Afdalen' zal de SRD de gebruiker automatisch laten afdalen naar een lager niveau wanneer er een val plaatsvindt. Laat bij gebruik van een SRD de reddingslijn altijd gecontroleerd terugrollen in het apparaat. Er kan een kort statisch koord nodig zijn om de reddingslijn uit of op te rollen tijdens het vastkoppelen en losmaken. Er kan een kort statisch koord worden gebruikt om ongecontroleerd oprollen van de reddingslijn in de SRD te voorkomen. Afhankelijk van de arbeidsomgeving en de omstandigheden kan het nodig zijn om het vrije uiteinde van het statische koord vast te zetten, om interferentie en verstrikking met apparatuur of machines te voorkomen.
- 4.6 TERUGHAALFUNCTIE:** Afbeelding 12 toont de werking van de integrale reddingshandslinger op de Rebel Retrieval SRD-R. Gebruik de terughaalfunctie nooit met een volledig opgerolde reddingslijn. De terughaalstand activeren en de reddingskrukarm gebruiken:
1. Trek de terughaalhendel naar buiten om de krukarm vrij te maken.
  2. Draai de terughaalhendel 180° uit de SRD-behuizing.
  3. Trek de schuifknop uit en houd deze in de ontgrendelde positie.
  4. Druk de krukarm in en laat de schuifknop los om te vergrendelen. Draai eventueel de krukarm met de klok mee voor een betere vergrendeling.
  5. Hijs de reddingslijn of laat hem zakken zoals weergegeven in afbeelding 12:
    - A. Omhoog tillen: Draai de krukarm linksom.
    - B. Laten zakken: Draai de krukarm iets linksom om de valstoprem te ontgrendelen en draai vervolgens de krukarm rechtsom.

*De integrale reddingshandslinger op 3-wegs SRD-R-modellen voor noodgevallen is alleen voor reddingsdoeleinden en mag niet worden gebruikt voor werkpositionering of het heffen/laten dalen van materiaal.*

*Rebel SRD-R's hebben geen overbelastingskoppeling om de kracht te beperken die op de componenten en de verbonden persoon wordt uitgeoefend. Vermijd speling op de kabel in de terughaalstand. Tevens moeten de personen tijdens het terughalen worden gecontroleerd, om er zeker van te zijn dat ze niet blootstaan aan overmatige krachten gedurende het terughalen.*

Een minimumbelasting van 33,9 kg (75 lb) is vereist voor het laten zakken of vieren van de reddingslijn. Een kracht van 0,13 kN (30 lb) is vereist om het terughaalsysteem te bedienen wanneer het volledig is beladen.

Stop met draaien wanneer de lijn helemaal is afgerold of opgerold. Als u doorgaat met draaien, kunnen onderdelen beschadigd raken.

#### 4.7 UITSCHAKELING VAN DE TERUGHAALSTAND: Het uitschakelen van de terughaalstand:

Wanneer de terughaalstand is uitgeschakeld, rollen alle reddingslijnen op in de SRD. Om mogelijke verwondingen te voorkomen rolt u de reddingslijn op voor het uitschakelen of houdt u hem vast.

1. Hef alle belasting van de reddingslijn op.
2. Trek de schuifknop uit en houd deze in de ontgrendelde positie.
3. Trek de krukarm uit tot de uitgeschakelde positie en laat vervolgens de schuifknop los.
4. Trek de terughaalhendel uit en draai de hendel 180° in de richting van de SRD in de opslagpositie.

## 5.0 INSPECTIE

Nadat de apparatuur buiten gebruik is gesteld, mag deze niet opnieuw in gebruik worden genomen totdat een bevoegd persoon schriftelijk heeft bevestigd dat dit aanvaardbaar is.

**5.1 REGELMAAT VAN INSPECTIE:** Het product moet voorafgaand aan het gebruik door de gebruiker worden geïnspecteerd en daarnaast door een andere deskundige persoon dan de gebruiker met intervallen van ten hoogste een jaar. Bij een hogere frequentie van het gebruik van de apparatuur en zwaardere omstandigheden moet de frequentie van inspecties door bevoegde personen mogelijk worden verhoogd. De frequentie van deze inspecties moet worden bepaald door de bevoegde persoon volgens de specifieke omstandigheden van de werkplek.

**5.2 INSPECTIEPROCEDURES:** Inspecteer dit product volgens de procedures in het 'Logboek voor inspectie en onderhoud'. De documentatie van elke inspectie moet worden bijgehouden door de eigenaar van deze apparatuur. Een inspectie- en onderhoudslogboek moet in de buurt van het product worden geplaatst of anderszins gemakkelijk toegankelijk zijn voor gebruikers. Het wordt aanbevolen om het product te markeren met de datum van de volgende of laatste inspectie.

**5.3 DEFECTEN:** Als het product niet opnieuw in gebruik kan worden genomen vanwege een bestaand defect of een onveilige toestand, moet het product worden vernietigd of naar 3M of een door 3M geautoriseerd servicecentrum worden gestuurd voor reparatie.

**5.4 GEBRUIKSDUUR VAN HET PRODUCT:** De functionele levensduur van het product wordt bepaald door de werkomstandigheden en het onderhoud. Zolang het product bij inspectie aan de criteria voldoet, kan het in gebruik blijven.

## 6.0 ONDERHOUD, SERVICE EN OPSLAG

Apparatuur die onderhoud nodig heeft of gepland is voor onderhoud, moet worden gemarkeerd met de tekst 'NIET GEBRUIKEN'. Deze apparatuurlabels mogen niet worden verwijderd voordat onderhoud is uitgevoerd.

**6.1 REINIGEN:** De reinigingsprocedures voor het valstopapparaat zijn als volgt:

- Maak de buitenkant van de SRD regelmatig schoon met water en een milde zeepoplossing. Plaats de SRD zodanig dat overtollig water eruit kan weglopen. Zorg ervoor dat labels schoon zijn.
- Reinig de reddingslijn met water en een zachte zeepoplossing. Spoel af en droog grondig aan de lucht. Droog niet geforceerd met warmte. Overmatige hoeveelheden vuil, verf enzovoort kunnen ertoe leiden dat de lijn niet meer volledig in de behuizing wordt teruggetrokken, wat mogelijk kan leiden tot een vrije val. Vervang de reddingslijn indien er sporen zijn van overmatige opeenhoping.

**6.2 ONDERHOUD:** Aanvullende onderhouds- en serviceprocedures moeten worden uitgevoerd door een geautoriseerd servicecentrum. Probeer de SRD niet uit elkaar te halen of onderdelen zelf te smeren.

**6.3 OPSLAG EN TRANSPORT:** Bewaar en vervoer het valstopapparaat in een koele, droge, schone omgeving, buiten het bereik van direct zonlicht. Vermijd plekken waar chemische dampen kunnen voorkomen. Inspecteer de SRD grondig na een langere periode van opslag.

## 7.0 LABELS

Afbeelding 19 toont labels op de Rebel zelfintrekbare valstopapparaten en hun locaties. Alle labels moeten aanwezig zijn op de SRD. Labels moeten worden vervangen wanneer deze niet volledig leesbaar zijn. Elk label bevat de volgende informatie:

(A)	1) Inspecteer de musketonhaak en de impact-indicator. 2) Inspecteer het blokkeren van het valstopapparaat. 3) Verbind de reddingslijn van het valstopapparaat met de achterste dorsale harnasbevestiging. 4) Uitsluitend verticale toepassingen. Veranker het valstopapparaat nooit onder de achterste dorsale harnasbevestiging. 4A) SRD-LE voor overhangwerkzaamheden vereist voor verankeringsniveau op gelijke hoogte als of lager dan de achterste dorsale harnasbevestiging. 4B) Uitsluitend verticale toepassingen. Veranker het valstopapparaat nooit onder de achterste dorsale harnasbevestiging. 5) Temperatuurbereik -40 °C – 60 °C. 6) Maximale capaciteit – 140 kg. 7) Terugrolling van de reddingslijn in de SRD controleren. Laat de reddingslijn nooit vrij terugrollen.
(B)	8) Werk direct onder de verankeringsniveaus van het valstopapparaat om scheef vallen te beperken tot het minimum. 9) Niet repareren. Onderhoud aan dit product mag alleen worden uitgevoerd door een erkend servicecentrum. 10) Bewaar valstopapparaten in een koele, droge, schone omgeving, uit de buurt van direct zonlicht. 11) De ombouw van het valstopapparaat niet over een rand belasten. 12) Verwijder labels niet. 13) Lees alle instructies. 14) ID aangemelde instantie. 15) Maand van volgende inspectie. 16) Jaar van volgende inspectie. 17) Jaar en maand vervaardigd. 18) Partijnummer. 19) Modelnummer. 20) Lengte reddingslijn. 21) Serienummer.
(C)	1) Trek de terughaalhendel eruit. 2) Klap de terughaalhendel uit de SRD-R-behuizing. 3) Trek de schuifknop eruit en houd deze vast. 4) Duw de krukarm in draai hem lichtelijk met de wijzers van de klok mee. 5) Laat de schuifknop los.

**Tabel 3 – Logboek voor inspectie en onderhoud**

Serienummer(s):		Aankoopdatum:	
Modelnummer:		Datum van eerste gebruik:	
Geïnspecteerd door:		Inspectiedatum:	
Onderdeel:	Inspectie:	Gebruiker	Deskundige
SRD (Afbeelding 13)	Inspecteer op losse bouten en verbogen of beschadigde onderdelen.	<input type="checkbox"/>	<input type="checkbox"/>
	Inspecteer de behuizing (A) op vervorming, barsten of andere schade.	<input type="checkbox"/>	<input type="checkbox"/>
	Inspecteer het warteloog (B) op vervorming, barsten of andere schade. Het warteloog moet veilig aan de SRD bevestigd zijn, maar vrij kunnen draaien.	<input type="checkbox"/>	<input type="checkbox"/>
	De reddingslijn (C) moet soepel volledig uittrekken en weer terugtrekken zonder aarzeling of verlies van spanning op de lijn.	<input type="checkbox"/>	<input type="checkbox"/>
	Controleer of het apparaat zich vergrendelt wanneer er hard aan de reddingslijn wordt getrokken. Het blokkeren moet duidelijk optreden, zonder slippen.	<input type="checkbox"/>	<input type="checkbox"/>
	Alle labels moeten aanwezig en geheel leesbaar zijn (zie Afbeelding 19).	<input type="checkbox"/>	<input type="checkbox"/>
	Onderzoek het gehele apparaat op sporen van corrosie.	<input type="checkbox"/>	<input type="checkbox"/>
Musketonhaak en impactindicator (Afbeelding 14)	Inspecteer de draaibare musketonhaak op tekenen van schade of corrosie en op werkzaamheid. Het warteloog moet vrij kunnen draaien. Inspecteer de impactindicator. Wanneer de rode strook wordt weergegeven (aangegeven modus), is er stootbelasting opgetreden. De SRD moet dan uit dienst worden genomen en worden geïnspecteerd. Probeer de impactindicator niet zelf te resetten. Zend de SRD retour naar een geautoriseerd servicecentrum voor resetten. OPMERKING: Het warteloog draait niet vrijelijk wanneer de impactindicator zich in de aangegeven stand bevindt.	<input type="checkbox"/>	<input type="checkbox"/>
Reddingslijn van staaldraad (Afbeelding 15)	Inspecteer reddingslijnen op insnijding, knikken (A), gebroken draden (B), kooivorming (C), lasschade (D), corrosie, chemische contactoppervlakken of ernstig afgesleten gebieden. Schuif de kabelbumper (E) omhoog en inspecteer draadogen (F) op breuken of schade. Inspecteer de draadkabel op corrosie en gebroken draden. Vervang de staalkabelconstructie als er zes of meer willekeurig verdeelde gebroken draden in één wikkel zijn of als er drie of meer gebroken draden in één streng van één wikkel zijn. Een 'wikkel' staaldraad is de lengte staaldraad die nodig is om een streng (de grotere groepen van draden) één omwikkeling om de draad te draaien. Vervang de staaldraadconstructie als er draden zijn gebroken binnen 25 mm (1 inch) van de draadogen.	<input type="checkbox"/>	<input type="checkbox"/>
Reservereddingslijn (Afbeelding 16)	Inspecteer de reservereddingslijnuitrol. Indien een val is gestopt met het grootste deel van de reddingslijn uitgerold, kan het zijn dat de reservereddingslijn is geactiveerd. Trek de reddingslijn zo ver mogelijk uit de SRD. Als er een rode band (G) zichtbaar is, dan werd de reservereddingslijn geactiveerd. De eenheid moet dan voor service naar een erkend servicecentrum gestuurd worden voordat hij weer in gebruik wordt genomen.	<input type="checkbox"/>	<input type="checkbox"/>
Energieabsorberende inrichting van SRD-LE (Afbeelding 17)	Controleer op zelfintrekkende valstopapparaten voor overhangwerkzaamheden (SRL-LE's) of de geïntegreerde energieabsorberende inrichting niet is geactiveerd. Er mag geen singelband uit de afdekking zijn getrokken (A). De afdekking van de schokbreker dient veilig te zijn en geen scheuren (B) of andere vormen van beschadiging te hebben.	<input type="checkbox"/>	<input type="checkbox"/>
Integrale handmatige reddingsophaalarm (Afbeelding 18)	Inspecteer de krukarm (A) op vervorming of andere schade. Controleer of de ophaalhendel (B) naar buiten kan draaien en kan worden vastgezet in de juiste positie.	<input type="checkbox"/>	<input type="checkbox"/>
	Zorg ervoor dat de ophaalschuifknop (C) kan worden uitgetrokken in de ontgrendelde positie en daarna losgelaten, waarbij de krukarm wordt vergrendeld in zowel de ingeschakelde als de uitgeschakelde posities.	<input type="checkbox"/>	<input type="checkbox"/>
	Test de ophaalfunctie op correcte werking door een testgewicht van minstens 34 kg (75 lbs) te heffen en te laten zakken. Wanneer de terughaalhendel wordt losgelaten, mag het gewicht niet bewegen en moet de terughaalhendel in dezelfde stand blijven staan (geen beweging). Tijdens het ophalen van de lading hoort u een 'klikkend' geluid.	<input type="checkbox"/>	<input type="checkbox"/>
<b>Corrigerende maatregel/Onderhoud:</b>	Goedgekeurd door:	De volgende inspectie moet uitgevoerd worden op:	
	Datum:		
<b>Corrigerende maatregel/Onderhoud:</b>	Goedgekeurd door:	De volgende inspectie moet uitgevoerd worden op:	
	Datum:		
<b>Corrigerende maatregel/Onderhoud:</b>	Goedgekeurd door:	De volgende inspectie moet uitgevoerd worden op:	
	Datum:		
<b>Corrigerende maatregel/Onderhoud:</b>	Goedgekeurd door:	De volgende inspectie moet uitgevoerd worden op:	
	Datum:		
<b>Corrigerende maatregel/Onderhoud:</b>	Goedgekeurd door:	De volgende inspectie moet uitgevoerd worden op:	
	Datum:		
<b>Corrigerende maatregel/Onderhoud:</b>	Goedgekeurd door:	De volgende inspectie moet uitgevoerd worden op:	
	Datum:		
<b>Corrigerende maatregel/Onderhoud:</b>	Goedgekeurd door:	De volgende inspectie moet uitgevoerd worden op:	
	Datum:		
<b>Corrigerende maatregel/Onderhoud:</b>	Goedgekeurd door:	De volgende inspectie moet uitgevoerd worden op:	
	Datum:		

Vennligst les, forstå og følg all sikkerhetsinformasjon i disse instruksjonene før du tar i bruk denne selvinntrekkingsenheten (SRD). UNNLATELSE AV Å GJØRE DETTE KAN FØRE TIL ALVORLIG SKADE ELLER DØD.

Disse instruksjonene må gis til brukeren av utstyret. Ta vare på disse instruksjonene for fremtidig referanse.

## Tilsiktet bruk:

Denne selvinntrekkingsenheten er beregnet for bruk som del av et komplett personlig fallsikringssystem.

Bruk i en hvilken som helst annen sammenheng inkludert, men ikke begrenset til, materialhåndtering, fritidsbruk eller idrettsrelaterte aktiviteter, eller andre aktiviteter som ikke beskrives i Brukerinstruksjonene, er ikke godkjent av 3M og kan resultere i alvorlig personskade eller død.

Denne innretningen skal bare brukes av opplærte brukere i arbeidsplassanvendelser.

## ! ADVARSEL

Denne selvinntrekkingsenheten er del av et personlig fallsikringssystem. Det forventes at alle brukere er fullt opplært i sikker installering og betjening av deres personlige fallsikringssystem. **Misbruk av denne innretningen kan resultere i alvorlig personskade eller død.** For riktig utvelgelse, betjening, installering, vedlikehold og service, se disse Bruksanvisningene, inkludert alle produsentens anbefalinger, snakk med din arbeidsleder, eller kontakt 3M-tekniske tjenester.

- **For å redusere risikoen som er forbundet med å arbeide med en SRD som, om det ikke unngås, kan resultere i alvorlig personskade eller død:**
  - Før hver enkelt bruk inspiseres SRD-en og sjekkes for skikkelig låsing og inntrekking.
  - Hvis inspeksjonen avdekker en utrygg eller defekt tilstand, må enheten tas ut av tjeneste og du må ta kontakt med et autorisert servicesenter for å få den reparert.
  - Hvis SRD-en har vært utsatt for fallstans eller stor kraft, må du straks ta SRD-en ut av tjeneste og merke enheten "UBRUKELIG".
  - Pass på at livlinen holdes fri fra alle hindringer inkludert, men ikke begrenset til; innsurring i bevegelig maskineri eller utstyr (f.eks., rotasjonssystemet for oljerigger), andre arbeidere, deg selv, omgivende gjenstander, eller støt fra overliggende gjenstander som kan falle ned på livlinen eller arbeideren.
  - Tillat aldri slark i livlinen. Ikke bind eller slå knute på livlinen.
  - Fest de ubrukte bena i seletøymontert SRD til parkeringsfestene i seletøyet hvis det er utstyrt.
  - Ikke bruk i applikasjoner som har en blokkert fallbane. Arbeid på materiale som langsomt forskyver seg, som sand eller kornet overflate, eller arbeid på trange eller innestengte plasser, vil kunne gjøre det umulig for arbeideren å oppnå tilstrekkelig hastighet til at SRD-en kan låse seg. For at SRD-en skal låses sikkert, trengs det en fri bane for fallet.
  - Unngå plutselige eller raske bevegelser under normal arbeidsoperasjon. Dette kan forårsake at innretningen låser seg.
  - Sørg for at fallsikringssystemer/undersystemer som er satt sammen av komponenter fremstilt av forskjellige produsenter er kompatible og oppfyller kravene i gjeldende standarder, inkludert ANSI Z359 eller andre gjeldende fallsikringsnormer, standarder eller krav. Rådfor deg alltid med en kompetent og/eller kvalifisert person før du bruker disse systemene.
- **For å redusere risikoen som er forbundet med arbeid i høyden, om det ikke unngås, kan resultere i alvorlig personskade eller død:**
  - Sørg for at din helse og fysiske tilstand gjør det mulig for deg sikkert å motstå alle de krefter som er forbundet med arbeid i høyden. Rådfor deg med legen din hvis du har noen spørsmål angående din evne til å bruke dette utstyret.
  - Du må aldri overskride tillatt kapasitet for ditt fallsikringsutstyr.
  - Du må aldri overskride maksimal frifallavstand for ditt fallsikringsutstyr.
  - Ikke bruk noe fallsikringsutstyr som ikke består inspeksjoner før bruk eller andre planmessige inspeksjoner, eller dersom du har bekymringer om bruken, eller om hvor egnet utstyret kan være for ditt bruksområde. Kontakt 3M Tekniske tjenester med eventuelle spørsmål.
  - Noen delsystemer og delekombinasjoner kan hindre bruken av dette utstyret. Bruk kun kompatible koblinger. Kontakt 3M dersom dette utstyret blir brukt sammen med andre komponenter eller delsystemer enn de som beskrives i brukerinstruksjonene.
  - Utvis ekstra forsiktighet når du arbeider rundt bevegelig maskineri (f.eks. rotasjonssystemet for oljerigger), elektriske farer, ekstreme temperaturer, kjemiske farer, eksplosive eller giftige gasser, skarpe kanter, eller nedenfor overhengende materialer som kan falle ned på deg eller ditt fallsikringsutstyr.
  - Bruk lysbueflamme eller Hot Works-innretninger når du arbeider i miljøer med høy varme.
  - Unngå overflater og gjenstander som kan skade brukeren eller utstyret.
  - Sørg for at det er tilstrekkelig fallklaring når du arbeider i høyden.
  - Du må aldri modifisere eller endre på ditt fallsikringsutstyr. Bare 3M eller virksomheter med skriftlig godkjenning kan reparere dette utstyret.
  - Før bruk av fallsikringsutstyr, pass på at det finnes en redningsplan som muliggjør rask redning hvis et falluhell skulle inntreffe.
  - Hvis et falluhell inntreffer, søk umiddelbart medisinsk hjelp for den arbeideren som har falt.
  - Ikke bruk støttebelter til fallstoppbruk. Bruk kun en helkroppsssele.
  - Minimer svingfall ved å arbeide så rett under forankringspunktet som mulig.
  - Hvis du trener med denne innretningen, må et sekundært fallsikringssystem benyttes på en slik måte at det ikke eksponerer lærlingen for en utilsiktet fallfare.
  - Ha alltid på hensiktsmessig personlig verneutstyr når du installerer, bruker eller inspiserer innretningen/systemet.

Skriv ned produktidentifikasjonen fra ID-merket i inspeksjons- og vedlikeholdsloggen på baksiden av denne veiledningen før installasjon og bruk av utstyret.

Forsikre deg alltid om at du bruker den siste revisjonen av 3M-brukerveiledningen. Gå til 3M-nettstedet eller kontakt 3Ms tekniske tjenester for oppdaterte brukerveiledninger.


## BESKRIVELSE:

Figur 2 identifiserer nøkkelkomponenter i Protecta Rebel selvinntrekkende enheter (SRD-er). Rebel SRD-er er trommelviklede stålkabellivlinjer (A) som trekker seg inn i et termoplast- eller aluminiumshus (B). De kan henge fra et takfeste i en karabinkrok som er festet gjennom sviveløyet (C) i toppen av SRD-en. En selvlåsende sikringskrok (D) på enden av livlinen festes til den oppnevnte fallsikringskoblingen på en helkroppsslele. En støtdemper (E) beskytter stålkabelen og ringbeslagene og beskytter sikringskroken mot slitasje og korrosjon.


Figur 1 definerer Rebel SRD-modeller som dekkes av denne brukerhåndboken. De følgende SRD-typene er tilgjengelige:

- **Selvinntrekkende enhet (figur 2A):** Selvinntrekkende enheter (SRD-er) er egnet for bruksområder der livlinen generelt sett holder seg vertikal under bruk og mulig avstand for fritt fall er begrenset til 0,6 m (2 fot).
- **Selvinntrekkende enhet med forkant (figur 2B):** Selvinntrekkende enheter med forkant (SRD-LE) er egnet for bruksområder der livlinen generelt sett holder seg horisontal under bruk, og mulig avstand for fritt fall er begrenset til 1,5 m (5 fot). SRD-LE-er har en integrert falldemper (F) eller lignende komponent for å tåle belastning på livlinen over en skarp eller slipingende kant under bremsing av fall og for å minimere fallkreftene på brukeren.
- **Selvinntrekkende enhet med redningsenhet (figur 2C):** Selvinntrekkende enheter med redningsenhet (SRD-R) inkluderer en integrert metode for assistert redning ved å heve eller senke redningspersonen. SRD-R-er er utstyrt med en 3-veis hånd sveiv for nødhenting (G). Noen modeller kan inneholde en stativmonteringsbrakett (H) for å montere SRD-R på benet til et stativ for bruk i innelukkede områder.

**Tabell 1 – Spesifikasjoner**

 Hushalvdeler	Materiale
9508320 + 9520047	Aluminium – 15 m (50 fot) SRD-R-er
9511070 + 9511071	Termoplast – 6 m (20 fot) SRD-er, 10 m (33 fot) SRD-er, og 6 m (20 fot) SRD-LE-er for forkant
9520021 + 9520022	Aluminium – 6 m (20 fot) og 10 m (33 fot) SRD-er
9520044 + 9520045	Termoplast – 15 m (50 fot) SRD-er og 10 m (33 fot) SRD-LE-er for forkant
9520046 + 9520047	Aluminium – 15 m (50 fot) SRD-er
9520056 + 9520057	Termoplast – 20 m (66 fot), 25 m (82 fot), 30 m (100 fot) SRD-er
9520058 + 9520059	Aluminium – 20 m (66 fot), 25 m (82 fot) og 30 m (100 fot) SRD-er

 Livline	Beskrivelse	Krok
9501087 + 2000175	5,56 mm (7/32 tomme) galvanisert ståltau, selvlåsende svivelkrok i en stållegering med indikator.	2000175
9501479 + 2000175	4,76 mm (3/16 tomme) galvanisert ståltau, selvlåsende svivelkrok i en stållegering med indikator.	2000175
9501613 + 2000170	4,76 mm (3/16 tomme) ståltau i rustfritt stål, selvlåsende svivelkarabinkroker i rustfritt stål med indikator.	2000170
9501613 + 2000175	4,76 mm (3/16 tomme) ståltau i rustfritt stål, selvlåsende svivelkrok i en stållegering med indikator.	2000175
9501613 + 2100044	4,76 mm (3/16 tomme) ståltau i rustfritt stål, selvlåsende svivelkrok i rustfritt stål med indikator.	2100044

Krok	Beskrivelse	Materiale	Låsstyrke	Halsstørrelse
2000170	Selvlåsende svivelkarabinkrok med slagindikator	Rustfritt stål	16 kN (3600 lbf)	1,9 cm (0,75 tomme)
2000175	Selvlåsende, dreibar snepert-krok med støtindikator	Sinkbelagt stål	16 kN (3600 lbf)	1,9 cm (0,75 tomme)
2100044	Selvlåsende, dreibar snepert-krok med støtindikator	Rustfritt stål	16 kN (3600 lbf)	1,9 cm (0,75 tomme)

<b>Strekstyrke for stålkabellivline:</b>	9501479 – 4,76 mm (3/16 tomme) dia. galvanisert stål Min. Strekkstyrke 18,7 kN (4200 lbf) 9501613 – 4,76 mm (3/16 tomme) dia. rustfritt stål Min. Strekkstyrke 16,0 kN (3600 lbf) 9501087 – 5,55 mm (7/32 tomme) dia. galvanisert stål Min. Strekkstyrke 24,9 kN (5600 lbf)
<b>SRD-R maksimal løftebelastning:</b>	135 kg (298 lb)
<b>Forankringsstyrke</b>	12 kN (2,697 lbf)

Tabell 1 – Spesifikasjoner

SRD-spesifikasjoner	CE-modeller (EN 360)
<b>Kapasitetsområde:</b>	59-140 kg (130 -310 lb)
<b>Maksimal bremsekraft:</b>	6 kN (1350 lbf)
<b>Gjennomsnittlig stoppekraft:</b>	4,0 kN (900 lbf)
<b>Maksimal stoppedistanse:</b> <i>*Det antas at SRD er montert rett over brukeren.</i>	1,1 m (42 tommer)
<b>Minimum fallklarering påkrevd:</b> <i>*Det antas at SRD er montert rett over brukeren.</i>	1,8 m (6 fot)
<b>Maksimalt fritt fall:</b> <i>*SRD må monteres over brukerens D-ring.</i>	0,6 m (2 fot)

Spesifikasjoner for SRD-LE	CE-modeller (EN 360 + CNB/P/11.060)
<b>Kapasitetsområde:</b>	59-140 kg (130 -310 lb)
<b>Maksimal bremsekraft:</b>	6 kN (1350 lbf)
<b>Gjennomsnittlig stoppekraft:</b>	4 kN (900 lbf)
<b>Maksimal stoppedistanse:</b> <i>*Det antas at SRD er montert rett over brukeren.</i>	1,1 m (42 tommer)
<b>Minimum fallklarering påkrevd:</b>	Vertikal: 1,8 m (6 fot) Horisontal: 5,03 m (16,5 fot)
<b>Maksimalt fritt fall:</b> <i>*SRD må monteres over brukerens D-ring.</i>	0,6 m (2 fot)
<b>Maksimalt fritt fall – LE:</b> <i>*Målt fra brukerens D-ring til underlaget.</i>	1,5 m (5 fot)

## 1.0 BRUKSOMRÅDER

- 1.1 FORMÅL:** 3M selvinntrekkende enheter (SRD-er) er konstruert for å utgjøre en komponent i et personlig fallsikringssystem (PFAS). Figur 1 viser SRD-er som dekkes av denne brukerveiledningen og deres typiske bruksområder. De kan brukes i situasjoner hvor arbeidere har behov for både mobilitet og fallsikring (inspeksjonsarbeid, vanlig bygningsarbeid, vedlikeholdsarbeid, oljeproduksjon, arbeid i plassbegrensede områder osv.).
- 1.2 STANDARDER:** SRD-en oppfyller kravene til nasjonale standarder som oppgis på omslaget til denne brukerveiledningen. Hvis dette produktet selges utenfor det opprinnelige destinasjonslandet, må forhandleren stille disse instruksjonene til rådighet på språket i det aktuelle landet der produktet vil bli brukt.
- 1.3 OPPLÆRING:** Dette utstyret er beregnet på bruk av personer som har fått opplæring i korrekt bruk. Det er brukerens ansvar å sørge for at de kjenner til denne veiledningen, og har fått opplæring i korrekt vedlikehold og bruk av utstyret. Brukere må være kjent med bruksegenskapene, begrensningene for bruk og konsekvensene av uriktig bruk.
- 1.4 BEGRENSNINGER:** Ta alltid hensyn til følgende begrensninger og krav ved installering eller bruk av dette utstyret:
- **Kapasitet:** Denne SRD-en er testet for bruk av én person med en total vekt (klær, verktøy, osv.) på mellom 59 kg 140 kg (130-310 lbs).<sup>1</sup> Sørg for at alle komponentene i systemet er godkjent for en kapasitet som er egnet for bruksområdet.
  - **Forankring:** Forankringskravene varierer med fallbeskyttelsesbruksområdet. Konstruksjonen der forankringstilkoblingen er plassert eller montert skal oppfylle forankringsspesifikasjonene angitt i tabell 1.
  - **Låsehastighet:** Unngå situasjoner som gjør det umulig å ha en hindringsfri fallbane. Arbeid på svært snevre eller trange områder kan føre til at kroppen ikke oppnår tilstrekkelig hastighet til at SRD-en låser seg ved et mulig fall. Arbeid på materialer som flytter seg sakte, for eksempel sand eller grus, kan føre til at hastigheten ikke bygger seg opp raskt nok til at SRD-en låser seg. For at SRD-en skal kunne låse seg, er det nødvendig med en fri bane for fall.
  - **Fritt fall:** Riktig bruk av SRD-er ved overhengende arbeid vil redusere avstanden for et fritt fall. For å forhindre økt avstand for et fritt fall må instruksjonene nedenfor følges:
    - Livlinen må aldri klemmes, knytes eller på noen annen måte hindres fra å trekkes inn eller spennes.
    - Unngå slakk i SRD-ens livline.
    - Ikke arbeid over forankringsnivået.
    - Ikke gjør SRD-er lengre ved å koble til en støtteline eller lignende komponent uten å rådføre deg med 3M.

For produktspesifikke opplysninger knyttet til fritt fall og fallklaringsverdier, se tabell 1 i denne anvisningen.

- **Svingfall:** Svingfall forekommer når forankringspunktet ikke er direkte over punktet hvor et fall oppstår. Kraften av et sammenstøt med et objekt i et svingfall kan medføre alvorlig skade (se figur 3A). Begrens svingfall ved å arbeide så rett under forankringspunktet som mulig (figur 3B). Arbeid som utføres unna forankringspunktet (figur 3C) skaper et større svingfall og øker den nødvendige fallklaringen (FC).
- **Fallklaring:** Figur 3B viser beregningen av fallklaringen. Fallklaring (FC) er summen av fritt fall (FF), bremselengde (DD) og en sikkerhetsfaktor (SF):  $FC = FF + DD + SF$ . D-ringglidning og selestrekkning er inkludert i sikkerhetsfaktoren. Fallklaringsverdier er beregnet og kartlagt i figur 4. En sikkerhetsfaktor på 1 m (3,28 ft) ble brukt for alle verdier i figur 4.
 

Figur 3B og 3C viser fallklaringen. For fall fra stående stilling, hvor SRD-en er forankret rett over hodet (figur 3B), skal SRD-fallsikringssystemer ha minimum fallklaringer som angitt i tabell 1. Fall fra en knelende eller bøyd stilling krever ytterligere 1 m (3 ft) fallklaring. I en svingfallsituasjon (figur 3C), vil den totale loddrette fallavstanden være større enn hvis brukeren hadde falt direkte under forankringspunktet og dette kan kreve ekstra fallklaring. Figur 4 og medfølgende tabell definerer maksimal arbeidsradius (C) for ulike SRD-forankringshøyder (A) og fallklaringer (B). Den anbefalte arbeidssonen er begrenset til det området som befinner seg innenfor maksimal arbeidsradius.
- **Farer:** Hvis utstyret brukes i farlige områder, kan det være nødvendig med ekstra forholdsregler for å redusere faren for personskader eller skader på utstyret. Farer kan bl.a. inkludere: sterk varme, kaustiske kjemikalier, korrosive miljøer, høyspentlinjer, eksplosive eller giftige gasser, maskinelt utstyr i bevegelse eller overliggende/-hengende materialer som kan falle ned på brukeren eller fallsikringssystemet. Unngå å arbeide på steder hvor livlinen kan krysse eller floke seg med andre liner. Unngå å arbeide på steder hvor et objekt kan falle og treffe livlinen, da dette kan føre til tap av balansen eller skade på linen. Ikke la linen gå under armene eller mellom bena.
- **Skarpe kanter:** Unngå arbeid hvor livlinen vil være i kontakt med eller skrape mot ubeskyttede skarpe kanter. Hvis det ikke er mulig å unngå kontakt med skarpe kanter, må kanten dekkes til med et beskyttende materiale.

<sup>1</sup> **Kapasitet:** Er SRD-er med 3-veis inntrekking klassifisert for en maksimal løftelast på 135 kg (298 lbs).

## 2.0 BRUK

- 2.1 REDNINGSPLAN:** Når dette utstyret brukes, må arbeidsgiver ha en redningsplan og redningsutstyr tilgjengelig, og informere brukere, autoriserte personer og redningsmannskaper om dette.
- 2.2 INSPEKSJONSINTERVALLER:** SRD-er skal undersøkes av en autorisert person<sup>1</sup> eller redningsperson<sup>2</sup> før hver bruk (se tabell 2). I tillegg skal inspeksjonene utføres av en annen kvalifisert person<sup>3</sup> enn brukeren i intervaller på maksimalt ett år. Ekstreme arbeidsforhold (tøft miljø, langvarig bruk, osv.) kan gjøre det nødvendig med hyppigere inspeksjoner utført av en kvalifisert person. Prosedyrene for inspeksjon beskrives i *inspeksjons- og vedlikeholdsloggen* (tabell 3). Resultatene fra inspeksjoner som er utført av en kvalifisert person må registreres i *inspeksjons- og vedlikeholdsloggen* eller RFID-systemet.
- 2.3 NORMAL BRUK:** Ved normal bruk kan livlinen trekkes ut og inn uten hindringer, og den blir ikke slakk når brukeren beveger seg med normal hastighet. Ved et fall, vil et hastighetsfølende bremsesystem aktiveres og stanse fallet, samt absorbere mye av energien som oppstår. Plutselige eller raske bevegelser bør unngås under vanlig arbeid, da dette kan få SRD-en til å låse seg. For fall som skjer mot slutten av livlinebevegelsen, er det bygget inn et reservelivesystem eller en falldemper, for å begrense fallkreftene. Hvis SRD-en er blitt utsatt for fallkrefter må den tas ut av bruk, merkes som «UBRUKELIG», inspiseres og vedlikeholdes som angitt i del 5 og 6.
- 2.4 KROPPSSTØTTE:** Det må brukes en hel kroppssele sammen med den selvinntrekkende enheten. Selens koblingspunkt må være over brukerens tyngdepunkt. Det er ikke tillatt å bruke et kroppselte sammen med den selvinntrekkende enheten. Hvis det skjer et fall ved bruk av et kroppselte, kan dette føre til utilsiktet utløsning og muligens fysisk traume på grunn av feil kroppsstøtte.
- 2.5 KOMPONENTKOMPATIBILITET:** Utstyr fra 3M er kun konstruert for bruk sammen med komponenter og delsystemer som er godkjent av 3M, med mindre annet er angitt. Utskifting eller erstatning med komponenter og delsystemer som ikke er godkjent kan påvirke utstyrets kompatibilitet, som kan gå ut over sikkerheten og påliteligheten til hele systemet. Følg produsentens instruksjoner for komponenter og delsystemer i ditt personlige fallsikringsssystem.
- 2.6 KOBLINGSKOMPATIBILITET:** Koblinger anses å være kompatible med koblingselementene når de er konstruert for å virke sammen på en slik måte at størrelse og form ikke får lukkemekanismene til å åpnes utilsiktet, uansett hvordan de posisjoneres. Kontakt 3M hvis du har spørsmål om kompatibilitet.
- Koblinger som brukes til å henge opp SRD-en må overholde kravene i EN362. Koblingene må være kompatible med forankringen og andre systemkomponenter. Ikke bruk utstyr som ikke er kompatibelt. Ikke-kompatible koblinger kan løsne utilsiktet (se figur 5). Koblingene må være kompatible når det gjelder størrelse, form og styrke. Selvlåsende sikkerhetskroker og karabinkroker må brukes. Hvis koblingselementet, som en sikkerhetskrok eller karabinkrok er festet til, er for lite eller har en ujevn form, kan det oppstå en situasjon hvor koblingselementet overfører kraft på krokens feste (A). Denne kraften kan gjøre at festet åpnes (B) og føre til at kroken løsner fra koblingspunktet (C).
- 2.7 KOBLINGER:** Sikkerhets- og karabinkrokene som brukes med dette utstyret, må være selvlåsende. Påse at koblingene er kompatible når det gjelder størrelse, form og styrke. Ikke bruk utstyr som ikke er kompatibelt. Kontroller at alle koblinger er fullstendig lukket og låst. 3M-koblinger (sikkerhets- og karabinkroker) er kun beregnet på bruk slik det er spesifisert i produktets brukerveiledning. Se figur 6 for eksempler på feilaktige koblinger. Sikkerhets- og karabinkroker må ikke kobles som følger:

- Til en D-ring som en annen kobling er festet til.
- På en måte som vil føre til belastning på låsen. Sikkerhetskroker med stor halskrok skal ikke kobles til D-ringer av standard størrelse eller liknende gjenstander, da dette vil resultere i belastning på krokens lås hvis kroken eller D-ringen vrir seg eller roterer, med mindre kroken er utstyrt med en lås som tåler 16 kN (3600 lbs). Kontroller merkingen på sikkerhetskroken for å bekrefte at den er egnet til ditt bruksområde.
- I et falskt feste, hvor elementer som stikker ut fra sikkerhets- eller karabinkroken tar tak i ankeret, og hvor manglende visuell bekreftelse gjør at det virker som om kroken er korrekt festet i forankringspunktet.
- Til hverandre.
- Direkte på bånd, livliner eller bakforankringer (med mindre produsentens veiledning for både livlinen og koblingen spesifikt tillater dette).
- Til et objekt som er formet eller dimensjonert slik at kroken ikke lukker og låser seg, eller hvor utrulling kan forekomme.
- På en måte som gjør at koblingen ikke er korrekt innrettet under belastning.

Tabell 2 – Inspeksjonsplan

Brukstype	Brukseksempler	Bruksvilkår	Inspeksjonsintervaller
			Kvalifisert person
Sjelden til lett	Redning og trange steder, fabrikkvedlikehold	Gode oppbevaringsforhold, innendørs- eller sjelden utendørsbruk, romtemperatur, rene omgivelser	Årlig
Moderat til kraftig	Transport, boligbygging, forsyningstjenester, lager	Greie oppbevaringsforhold, innendørs- og utvidet utendørsbruk, alle temperaturer, rene eller støvete omgivelser	Halvårlig til årlig
Krevende til kontinuerlig	Næringsbygg, olje og gass, gruvarbeid	Tøffe oppbevaringsforhold, langvarig eller kontinuerlig utendørsbruk, alle temperaturer, skitne omgivelser	Kvartalsvis til halvårlig

**1 Autorisert person:** En person som er utnevnt av arbeidsgiver til å utføre oppgaver på stedet hvor personen vil være utsatt for fallrisiko.

**2 Redningsarbeider:** En annen person eller andre personer enn den som rednes som utfører en assistert redningsaksjon ved bruk av et redningssystem.

**3 Kvalifisert person:** En person, utnevnt av arbeidsgiveren, som er ansvarlig for kontroll, implementering og overvåking av den ansattes fallsikringsprogram, og som, via opplæring og kunnskap, er i stand til å påvise, evaluere og håndtere eksisterende og potensielle fallfarer samt har myndighet til å foreta korrigerende tiltak ved påvisning av slike farer.



**2.8 SELVINNTREKKENDE ENHETER MED FORKANT (SRL-LE):** SRD-ene som dekkes av denne brukerveiledningen inkluderer selvinntrekkende enheter med forkantsegenskaper (SRL-LE-er). Se figur 1 for spesifikke SRL-LE-modeller. SRL-LE-er ble testet for horisontal bruk og fall over en stålkant uten ru kanter. SRL-LE-er kan brukes i situasjoner der et fall kan forekomme over stålkanten, slik som ved stålfomer eller metallplater.

**Forholdsregler ved forkant:** Følgende forholdsregler må følges ved bruk av SRL-LE-er:

- Den tillatte bøyingsvinkelen på livlinedelen av SRL-LE-en ved kanten hvor det kan oppstå et fall (målt mellom de to sidene som formes av livlinens bøyning), må være på minst 90 grader (se figur 7).
- Forankringspunktet skal plasseres i samme høyde som kanten hvor fallet kan forekomme eller over kanten. Forankringspunkter under kanten er farlige, fordi de gjør at livlinen bøyes ved en vinkel som er spissere enn 90 grader (se figur 7).
- Se avsnitt 1 for begrensninger i det tillatte arbeidsområdet i forhold til forankringspunktet, inkludert faktorer som svingfall og slitasje på linen ved kanten og bruk av et enkelt forankringspunkt kontra forankringer som muliggjør horisontal bevegelse (f.eks. horisontal livline eller horisontal skinne).
- SRL-LE-er kan kun brukes med en horisontal livline eller en horisontal skinne slik som anvist i produktanvisningene for den horisontale livlinen eller den horisontale skinnen.
- Ikke utfør arbeid på andre siden av en åpning, på motsatt side av hvor SRL-LE-forankringspunktet er.
- Ved et fall over kanten, kan spesielle redningstiltak være nødvendige.
- Ved planlegging av bruksområde for forkant, må det kontrolleres at arbeidsområdets parametre er innenfor minimumsavstanden, den maksimale fritt-fall-avstanden og den minste fallklaringen som er nødvendig ved fall over en kant, slik som angitt på SRL-LE-merkingen.

**Beregning av fallklaring ved forkant:** Den minste fallklaringen som er nødvendig ved fall over en kant kan beregnes basert på kantavstanden og avstanden langs kanten på forkantsapplikasjonen (se figur 8). For å beregne fallklaringen fra tabellen i figur 8:

1. Velg den verdien fra overskriftene i venstre rad som er nærmest kantavstand (A).
2. Velg den verdien fra overskriftene i øverste kolonne som er nærmest din arbeidsavstand langs kanten (B) fra. Skraverte områder uten noen verdier indikerer at avstanden langs kanten er utenfor den sikre arbeidsradiusen for valgt kantavstand.
3. Klaringen som er nødvendig ved fall over en kant (C), er den verdien som er oppført i kryssningen av raden som er i trinn 1 og kolonnen som er valgt i trinn 2.
4. Gjenta forrige trinn for hver kant som arbeideren potensielt kan falle over, for å bestemme sikker plassering av forankringen og tillatt arbeidsradius.

**CE-definisjoner på en skarp kant:** Disse CE-enhetene med selvinntrekk er testet for horisontal bruk og fall over en stålkant uten splinter. Begrensningene for tilbakeslagavstanden som vises i figur 8 må overholdes. Unngå arbeid hvor livlinen kontinuerlig vil være i kontakt med eller gjentatt skraper mot ubeskyttede skarpe kanter. Fjern slik kontakt eller polstre kanter ved hjelp av en matte eller lignende midler. Kanttyper er definert som følger:

**VG 11.60, revisjon 6 Definisjon av type A-kant:** En stålkant med en radius på  $r=0,5$  mm og uten splinter ble brukt i testen. Utstyret kan brukes over tilsvarende kanter, som f.eks. finnes på valsede stålprofiler, trebjelker eller en kledd, avrundet takbrystning, per test.

### 3.0 MONTERING

- 3.1 PLANLEGGING:** Planlegg fallsikringsystemet før du begynner å arbeide. Vurder faktorer som kan påvirke sikkerheten din før, under og etter et fall. Ta hensyn til alle krav og begrensninger som defineres i denne brukerveiledningen.
- 3.2 FORANKRING:** Figur 9 illustrerer typiske SRD-forankringskoblinger. Forankringsstedet (A) skal være rett over hodet for å minske frifall- og svingfallfarer (se del 2). Velg et solid forankringspunkt som tåler den statiske belastningen som defineres i del 2.2. Sviveløyet på SRD-en er utstyrt med en karabinkrok (B). Fest karabinkroken rett på forankringsstrukturen (armering, vinkeljern, osv.), en festeadapter (C) eller et forankringstilkoblingspunkt (D).
- 3.3 SELETILKOBLING:** Full kroppsssele er påkrevet for bruksområder som krever fallsikring. Koble sikkerhetskroken (A) på SRD-livlinen til den bakre D-ring (B) på helkroppsselen. (Se figur 10). Under situasjoner som klatring i stige kan det være lurt å koble til D-ring på brystet. Konsulter seleprodusentens anvisninger for informasjon om bruk av seletilkoblingspunkter.
- 3.4 MONTERING AV TREBENT STATIV:** Figur 11 illustrerer installasjon av Rebel selvinntrekkende enhet med hånd sveiv for tilbaketrekkning på et Protecta-stativ. SRD-R-en er montert på et ben på stativet, og livlinen føres gjennom et trinsesystem på stativets hode. Se anvisningene som følger med trefoten og monteringsbraketten for detaljer.

### 4.0 BRUK

*Brukere som bruker Rebel selvinntrekkende enheter (SRD-er) for første gang eller sjelden, skal gjennomgå avsnittet «Sikkerhetsinformasjon» på begynnelsen av denne håndboken før bruk av SRD.*

- 4.1 FØR HVER BRUK:** Kontroller at arbeidsområdet ditt og fallbeskyttelsessystemet oppfyller alle kriterier som er definert i disse instruksjonene. Bekreft at en formell redningsplan er innført. Inspiser produktet i henhold til inspeksjonspunktene som er definert i *inspeksjons- og vedlikeholdsloggen*. Hvis inspeksjonen avslører en utrygg eller mangelfull tilstand, eller hvis det er noen tvil om tilstanden for sikker bruk, må du fjerne produktet øyeblikkelig. Merk det tydelig «IKKE BRUK». Se del 5 for mer informasjon.
- 4.2 ETTER ET FALL:** Alt utstyr som er blitt utsatt for kreftene ved å stanse et fall eller som er skadet som følge av fallsikringskreftene som beskrevet i avsnitt 5, må øyeblikkelig tas ut av bruk, merkes som «UBRUKELIG» og inspiseres og vedlikeholdes som anvist i avsnitt 5 og 6.
- 4.3 KROPPSSTØTTE:** En helkroppsssele må brukes når 3M SRD-er brukes. For generell fallbeskyttelse skal D-ring på ryggen brukes som tilkoblingspunkt. Under situasjoner som klatring i stige kan det være lurt å koble til D-ring på brystet. Konsulter seleprodusentens anvisninger for informasjon om bruk av seletilkoblingspunkter.
- 4.4 TILKOBLING:** Når det benyttes krok som tilkobling, må du sørge for at utrulling ikke kan finne sted (se figur 5). Ikke bruk kroker eller koblinger som ikke lukker seg helt over festegjenstanden. Ikke bruk sikringskroker som ikke kan låses. Monteringsoverflaten bør møte kravene til forankringsstyrke som angitt i del 2.2. Produsentens anvisninger, som følger med hver systemkomponent, må alltid følges.
- 4.5 BRUK:** Inspiser SRD-en som beskrevet i del 5.0. Koble SRD-en til en egnet forankring eller forankringskobling som beskrevet over. Koble den selvåtsende sikringskroken på enden av livlinen til den bakre D-ring på helkroppsselen (se figur 10). Kontroller at alle koblingene er kompatible når det gjelder størrelse, form og styrke. Sørg for at kroken er fullstendig lukket og låst. Når den er festet, kan brukeren fritt bevege seg på det anbefalte arbeidsområdet med normal fart. Hvis RSQ-velgerhjulet er stilt til «Fallsikring» vil SRD-en bremse fallet. Hvis RSQ-velgerhjulet er stilt til «Nedstigning» vil SRD-en automatisk senke brukeren til et lavere nivå ved et fall. Når det arbeides med en SRD, må livlinen alltid få rulle seg kontrollert tilbake inn i enheten. Det kan være nødvendig å trekke ut en del av linen under kobling og frigjøring. Det kan brukes et holdetau for å hindre at livlinen trekkes ukontrollert tilbake inn i SRD-en. Avhengig av arbeidsstedet og forholdene kan det være nødvendig å feste den frie enden av linen for å hindre at den vikler seg inn i utstyr og maskindeler.
- 4.6 INNHENTINGSDRIFT:** Figur 12 illustrerer bruk av integrert nødhånd sveiv på Rebel Retrieval SRD-R. Ikke gjør forsøk på å betjene innhenting med livlinen helt tilbaketrukket. For å aktivere innhentingsmodus og bruke redningshånd sveiven må du gjøre følgende:
1. Trekk ut tilbaketrekkingshåndtaket for å frigi veivarmen.
  2. Vri tilbaketrekkingshåndtaket 180° ut fra SRD-kroppen.
  3. Dra og hold skiftknappen i ulåst posisjon.
  4. Skyv inn veivarmen og slipp skiftknappen for å aktivere. Dersom det er nødvendig, kan veivarmen roteres med klokken for å aktivere giret.
  5. Hev og senk livlinen som illustrert i figur 12:
    - A. For å heve: Roter sveivearmen mot klokka.
    - B. For å senke: Sveiv sveivearmen forsiktig mot klokken for å frigi fallsikringsbremsen, før du sveiver sveivearmen med klokken.

*Den integrerte nødhånd sveiven på SRD-R-modeller med 3-veis innhenting er kun for redningsformål og skal ikke brukes til arbeidsposisjonering eller materialløfting/-senking.*

*Rebel SRD-R-er inneholder ikke en overbelastningskobling for å begrense kraften som utøves på driftskomponentene og brukeren. Unngå slakk line i tilbaketrekkingsmodus. I tillegg må personen overvåkes under tilbaketrekkning for å sikre at han/hun ikke utsettes for overdreven kraft som følge av løfting etter å ha satt seg fast i en hindring.*

Det kreves en minimumsbelastning på 33,9 kg (75 lb) for å senke eller føre ut livlinen. Det kreves en kraft på 0,13 kN (30 lb) for å betjene tilbaketrekkingsystemet når det er fulllastet.

Stopp sveivingen når livlinen er fullt uttrukket eller trukket tilbake. Fortsatt sveiving kan skade komponenter.

#### 4.7 **UTKOBLING AV TILBAKETREKKING:** For å deaktivere innhentingsmodus:

Når tilbaketrekkingsmodus er frakoblet, vil enhver utvidet livslinje trekke seg inn i SRD. For å unngå mulig skade, trekk livlinen tilbake før deaktivering eller hold fast i den.

1. Fjern enhver belastning på livlinen.
2. Dra og hold skiftknappen i ulåst posisjon.
3. Dra veivarmen ut for å deaktivere, og frigi deretter skiftknappen.
4. Trekk ut og roter tilbaketrekkingshåndtaket 180° mot SRD-kroppen til oppbevart posisjon.

### 5.0 **INSPEKSJON**

Etter at utstyret er blitt fjernet fra bruk, kan det ikke brukes igjen før en kompetent person bekrefter skriftlig at det er akseptabelt å gjøre det.

- 5.1 INSPEKSJONSINTERVALLER:** Produktet skal kontrolleres av brukeren før hver bruk, og i tillegg av en annen kompetent person enn brukeren, i intervaller som ikke overskrider ett år. Utstyr som brukes hyppigere, og tøffere forhold kan kreve en reduksjon av intervallet mellom inspeksjoner av kompetent person. Intervallet mellom disse inspeksjonene skal bestemmes av den kompetente personen i henhold til de spesifikke forholdene på arbeidsplassen.
- 5.2 PROSEDYRER FOR INSPEKSJON:** Inspiser dette produktet i henhold til prosedyrene som er oppført i *inspeksjons- og vedlikeholdsloggen*. Eieren av dette utstyret skal opprettholde dokumentasjonen for hver inspeksjon. En inspeksjons- og vedlikeholdslogg skal plasseres i nærheten av produktet eller på annen måte være lett tilgjengelig for brukere. Det anbefales at dette produktet merkes med datoen for neste eller siste inspeksjon.
- 5.3 DEFEKTER:** Hvis produktet ikke kan returneres til bruk på grunn av eksisterende defekt eller usikker tilstand, må produktet enten destrueres eller sendes til 3M eller et 3M-autorisert servicesenter for reparasjon.
- 5.4 PRODUKTLEVETID:** Den funksjonelle levetiden til produktet avhenger av arbeidstilstander og vedlikehold. Produktet kan brukes så lenge det oppfyller inspeksjonskriteriene.

### 6.0 **VEDLIKEHOLD, SERVICE OG OPPBEVARING**

Utstyr som har behov for vedlikehold eller som er planlagt for vedlikehold, skal merkes «IKKE BRUK». Disse utstyrskodene skal ikke fjernes før vedlikehold er utført.

- 6.1 RENGJØRING:** Rengjøringsprosedyrer for den selvinntrekkende enheten er som følger:
- Rengjør utsiden av SRD-en regelmessig med vann og et mildt vaskemiddel. Plasser SRD-en slik at vannet kan renne ut. Rengjør etikettene etter behov.
  - Rengjør livlinen med vann og et mildt vaskemiddel. Skyll linen og la den lufttørke fullstendig. Ikke bruk varme til å tørke. Store opphopninger av smuss, maling osv. kan hindre at linen trekkes helt inn igjen og kan utgjøre en potensiell risiko for et fritt fall. Bytt ut livlinen dersom den har slike store opphopninger.
- 6.2 SERVICE:** Ytterligere vedlikehold og service skal utføres av et autorisert servicesenter. Ikke demonter SRD-en eller smør noen av delene.
- 6.3 OPPBEVARING OG TRANSPORT:** Den selvinntrekkende enheten må oppbevares og transporteres i et kjølig, tørt, rent miljø utenfor direkte sollys. Unngå områder hvor det kan finnes gasser fra kjemikalier. Inspiser SRD-en nøye etter en lengre oppbevaringsperiode.

### 7.0 **MERKER**

Figur 19 illustrerer merker på Rebel selvinntrekkende enheter og deres plasseringer. Alle etikettene må finnes på SRD-en. Etikettene må skiftes ut hvis de ikke er fullt leselige. Informasjonen på hver etikett er som følger:

A	1) Inspiser karabinkroken og støtindikatoren. 2) Inspiser SRD-ens låsemekanisme. 3) Koble SRD-livlinen til selefestet på baksiden. 4) Kun vertikal bruk. SRD-en må aldri forankres under selefestet på baksiden. 4A) SRD-LE for forkant kreves for forankring ved eller under selefestet på baksiden. 4B) Kun vertikal bruk. SRD-en må aldri forankres under selefestet på baksiden. 5) Temperaturrekkevidde -40 °C til 60 °C, 6) Maksimal kapasitet – 140 kg, 7) Kontrollert tilbaketrekking av livlinen inn i SRD. La aldri livlinen trekkes fritt tilbake. 8) Arbeid rett under SRD-forankringen for å minimere svingfall. 9) Må ikke repareres. Service på dette produktet skal skje ved et autorisert servicesenter. 10) Lagre SRD-ene på et kjølig, tørt og rent sted, utenfor direkte sollys. 11) Ikke last SRD-enheten over en kant. 12) Ikke fjern etiketter. 13) Les alle instruksjoner. 14) Teknisk kontrollorgan-ID. 15) Måned for neste inspeksjon, 16) År for neste inspeksjon, 17) Produksjonsår/-måned, 18) Partinummer, 19) Modellnummer, 20) Livlinelengde, 21) Serienummer
B	Drei veivarmen med klokken for å senke livlinen. Drei veivarmen mot klokken for å løfte livlinen.
C	1) Trekk ut innhentingshåndtaket. 2) Brett ut tilbaketrekkingshåndtaket fra SRD-R-kroppen. 3) Trekk ut skiftknappen og hold. 4) Skyv inn og roter veivarmen lett med klokken. 5) Slipp skiftknappen.

**Tabell 3 – Inspeksjons- og vedlikeholdslogg**

<b>Serienummer:</b>	<b>Kjøpsdato:</b>
<b>Modellnummer:</b>	<b>Dato for førstegangsbruk:</b>
<b>Inspisert av:</b>	<b>Inspeksjonsdato:</b>

<b>Komponent:</b>	<b>Inspeksjon:</b>	<b>Bruker</b>	<b>Kompetent person</b>
SRD (figur 13)	Sjekk for løse bolter og bøyd eller ødelagte deler.	<input type="checkbox"/>	<input type="checkbox"/>
	Inspiser enheten (A) for vridning, sprekker eller andre skader.	<input type="checkbox"/>	<input type="checkbox"/>
	Inspiser sviveløyet (B) for forvrengning, sprekker eller andre skader. Sviveløyet skal festes godt til SRD, men skal fortsatt svinge fritt.	<input type="checkbox"/>	<input type="checkbox"/>
	Livlinen (C) bør ruller ut og trekkes inn uten nøling eller uten å opprette slakket i linen.	<input type="checkbox"/>	<input type="checkbox"/>
	Sikre at apparatet låser når det blir rykket kraftig i livlinen. Låsingen skal være bestemt uten glidende overgang.	<input type="checkbox"/>	<input type="checkbox"/>
	Etikettene må være synlige og fullt leselige (se figur 19).	<input type="checkbox"/>	<input type="checkbox"/>
	Undersøk hele enheten for tegn på korrosjon.	<input type="checkbox"/>	<input type="checkbox"/>
Svivelkrok og støtindikator (figur 14)	Undersøk svivelkroken for tegn på skade, korrosjon samt brukstilstand. Svingfestet skal rotere fritt. Sjekk støtindikatoren. Hvis det røde båndet vises (indikert modus), har støtlast oppstått, og SRD-en må tas ut av bruk og inspiseres. Ikke prøv å tilbake stille støtindikatoren. Returner SRD til et autorisert servicesenter for tilbakestilling. MERK: Svingfestet dreier ikke fritt når støtindikatoren er i indikert modus.	<input type="checkbox"/>	<input type="checkbox"/>
Stålkabellivline (figur 15)	Undersøk stålkabelen for kutt, bukter (A), brutte tråder (B), strengåpning (C), sveisesøl (D), korrosjon, kjemiske kontaktområder eller svært slitte områder. Skyv opp kabelstøtfangeren (E) og kontroller ringbeslagene for sprekker eller skader, og kontroller ståltauet for korrosjon og brutte tråder. Bytt stålkabelmontasjen hvis det er seks eller flere tilfeldig fordelte, skadde tråder i én slagning, eller tre eller flere brutte tråder i en tråd i én slagning. En «slagning» i stålkabelen er den lengden med stålkabel som trengs for en kordel (større gruppe av tråder) for å fullføre en omdreining eller en vridning langs kabelen. Bytt stålkabelmontasjen hvis det er ødelagte ledninger innenfor 25 mm (1 tomme) av ringbeslagene.	<input type="checkbox"/>	<input type="checkbox"/>
Reservelivline (figur 16)	Sjekk utkastet på reservelivlinen. Dersom et fall har blitt stoppet med mesteparten av livlinen ute, har reservelivlinen vært brukt. Dra livlinen ut av SRD-en til den stopper. Hvis det vises et rødt bånd (G), har reservelivlinen blitt benyttet og enheten må vedlikeholdes på et autorisert servicesenter før gjenbruk.	<input type="checkbox"/>	<input type="checkbox"/>
Falldemper til SRD-LE (figur 17)	På selvinntrekkende enheter med forkantegenskaper (SRD-LE-er) må du kontrollere at den integrerte falldempere ikke er aktivert. Det skal ikke være noen netting som er trukket ut av dekslet (A). Dekslet bør sitte godt og være fritt for revner (B) eller annen skade.	<input type="checkbox"/>	<input type="checkbox"/>
Integrert nødhåndsveiv for tilbaketrekking (figur 18)	Kontroller at veivarmen (A) ikke er vridd eller har annen skade. Sikre at tilbaketrekkingshåndtaket (B) kan foldes ut og sikres i sveiveposisjonen.	<input type="checkbox"/>	<input type="checkbox"/>
	Sikre at tilbaketrekkingsskiftknappen (C) kan dras ut til ulåst plassering og deretter slippes, og låse veivarmen i både aktivert og deaktivert posisjon.	<input type="checkbox"/>	<input type="checkbox"/>
	Test tilbaketrekkingfunksjonen for riktig drift ved å heve og senke en testvekt på minst 34 kg (75 lb). Når tilbaketrekkingshåndtaket slippes, bør vekten ikke flytte seg og tilbaketrekkingshåndtaket bør holde seg i posisjon (ingen bevegelse). En «klikkende» lyd bør høres når lasten heves.	<input type="checkbox"/>	<input type="checkbox"/>

<b>Korrigerende tiltak / vedlikehold:</b>	Godkjent av:	Neste inspeksjon innen:
	Dato:	
<b>Korrigerende tiltak / vedlikehold:</b>	Godkjent av:	Neste inspeksjon innen:
	Dato:	
<b>Korrigerende tiltak / vedlikehold:</b>	Godkjent av:	Neste inspeksjon innen:
	Dato:	
<b>Korrigerende tiltak / vedlikehold:</b>	Godkjent av:	Neste inspeksjon innen:
	Dato:	
<b>Korrigerende tiltak / vedlikehold:</b>	Godkjent av:	Neste inspeksjon innen:
	Dato:	
<b>Korrigerende tiltak / vedlikehold:</b>	Godkjent av:	Neste inspeksjon innen:
	Dato:	
<b>Korrigerende tiltak / vedlikehold:</b>	Godkjent av:	Neste inspeksjon innen:
	Dato:	
<b>Korrigerende tiltak / vedlikehold:</b>	Godkjent av:	Neste inspeksjon innen:
	Dato:	

Przed użyciem produktu należy przeczytać ze zrozumieniem oraz zastosować wszystkie informacje dotyczące bezpieczeństwa zawarte w niniejszej instrukcji. ZIGNOROWANIE TEGO WYMAGANIA MOŻE SKUTKOWAĆ POWAŻNYMI URAZAMI CIAŁA LUB ŚMIERCIĄ.

Niniejszą instrukcję należy udostępnić użytkownikowi sprzętu. Instrukcję należy zachować do wykorzystania w przyszłości.

## Przeznaczenie:

Ten produkt jest używany jako część kompletnego systemu ochrony przed upadkiem.

Wykorzystywanie produktu w jakimkolwiek innym celu, m.in. w celach rekreacyjnych, do przenoszenia ładunków lub podczas uprawiania sportu oraz we wszelkich innych celach nieopisanych w niniejszej instrukcji nie jest zatwierdzone przez firmę 3M i może skutkować poważnymi urazami ciała lub śmiercią.

Ten produkt może być wykorzystywany wyłącznie przez przeszkolonych użytkowników w miejscu pracy.



## OSTRZEŻENIE

Ten produkt jest używany jako część kompletnego systemu ochrony przed upadkiem. Wszyscy użytkownicy muszą zostać w pełni przeszkoleni w zakresie bezpiecznej instalacji i obsługi kompletnego systemu ochrony przed upadkiem. **Nieprawidłowe użytkowanie produktu może prowadzić do poważnych urazów ciała lub śmierci.** W celu prawidłowego doboru, obsługi, instalacji, konserwacji i serwisowania należy zapoznać się ze wszystkimi instrukcjami obsługi i zaleceniami producenta. Aby uzyskać więcej informacji, należy skontaktować się ze swoim przełożonym lub z działem pomocy technicznej firmy 3M.

### Aby ograniczyć ryzyko związane z użytkowaniem urządzenia samohamownego, które może skutkować poważnymi urazami ciała lub śmiercią:

- Należy sprawdzić produkt przed każdym użyciem i po każdym upadku, zgodnie z procedurami określonymi w niniejszej instrukcji.
- Jeżeli przegląd wykaże, że urządzenie jest wadliwe lub nie zapewnia bezpiecznej pracy, należy je natychmiast wycofać z eksploatacji i umieścić na nim oznaczenie „NIE UŻYWAĆ”. Zniszczyć lub naprawić produkt zgodnie z niniejszą instrukcją.
- Każdy produkt, który został użyty do zatrzymania upadku bądź został poddany działaniu dużej siły, musi zostać natychmiast wycofany z eksploatacji. Zniszczyć lub naprawić produkt zgodnie z niniejszą instrukcją.
- Upewnij się, że systemy ochrony przed upadkiem złożone z komponentów różnych producentów są kompatybilne i spełniają wszystkie obowiązujące przepisy, normy lub wymagania dotyczące ochrony przed upadkiem. Przed użyciem tych systemów należy zawsze skonsultować się z kompetentną lub wykwalifikowaną osobą.
- Upewnij się, że linka asekuracyjna nie stwarza żadnego zagrożenia, w tym: zaplątanie się użytkowników, innych pracowników, poruszających się maszyn ani innych otaczających obiektów lub uderzenie przez przedmioty znajdujące się nad głową, które mogą spaść na linkę asekuracyjną lub użytkowników.
- Nie skręcać, nie wiązać, nie płątać ani nie dopuszczają luzu linki asekuracyjnej.
- Unikać niebezpieczeństwa potknięcia się o linkę asekuracyjną. Jeśli jest na wyposażeniu, przymocować nieużywane nogi trójnogu linki asekuracyjnej do elementów mocowania linki bezpieczeństwa.
- Nie przekraczać maksymalnej dozwolonej liczby użytkowników podanej w instrukcji.
- Nie używać w sytuacjach z ograniczoną drogą upadku. Zablokowanie urządzenia SRD wymaga braku przeszkód. Praca na sypkim materiale (np. piasek lub ziarno) albo w ograniczonych lub ciasnych przestrzeniach może uniemożliwić osiągnięcie przez pracownika prędkości umożliwiającej zablokowanie urządzenia SRD.
- Unikać gwałtownych i szybkich ruchów podczas pracy, ponieważ może to spowodować niezamierzone zablokowanie urządzenia SRD.
- Należy zachować ostrożność podczas instalowania, używania i przenoszenia produktu, ponieważ ruchome części mogą powodować powstawanie punktów przycięcia.
- Stosować odpowiednią ochronę krawędzi, jeśli linka asekuracyjna może zetknąć się z ostrymi krawędziami lub powierzchniami ściernymi.
- Natychmiast wycofać produkt z eksploatacji, jeśli był używany podczas zejścia.
- Przed użyciem upewnij się, że ścieżka zejścia i miejsce lądowania są wolne od jakichkolwiek przeszkód lub zagrożeń.
- Upewnij się, że produkt jest prawidłowo skonfigurowany i zainstalowany w celu zapewnienia bezpiecznego działania, zgodnie z opisem w niniejszej instrukcji.

### Aby ograniczyć ryzyko związane z pracą na wysokości, które może skutkować poważnymi urazami ciała lub śmiercią:

- Zdrowie i kondycja fizyczna muszą umożliwiać bezpieczną pracę na wysokości i wytrzymać wszystkie siły związane z zatrzymaniem upadku. W razie pytań dotyczących możliwości korzystania z tego sprzętu należy skonsultować z lekarzem.
- Nigdy nie wolno przekraczać dopuszczalnego udźwigu sprzętu zabezpieczającego przed upadkiem.
- Nigdy nie wolno przekraczać maksymalnego dystansu swobodnego upadku danego sprzętu zabezpieczającego przed upadkiem.
- Nie wolno używać sprzętu chroniącego przed upadkiem, który nie przeszedł pomyślnie przeglądu okresowego, ani w przypadku wątpliwości dotyczących korzystania lub przydatności sprzętu w danym zastosowaniu. W razie pytań należy kontaktować się z działem pomocy technicznej firmy 3M.
- Niektóre połączenia podsystemów i elementów mogą niekorzystnie wpływać na działanie tego sprzętu. Stosować wyłącznie zgodne rodzaje połączeń. Przed zastosowaniem tego sprzętu w połączeniu z elementami lub podsystemami innymi niż opisane w instrukcji użytkownika należy skonsultować się z działem pomocy technicznej firmy 3M.
- Należy stosować zwiększone środki ostrożności podczas pracy w pobliżu ruchomego sprzętu, źródeł zagrożeń elektrycznych, skrajnych temperatur, zagrożeń chemicznych, zagrożenia wybuchem lub toksycznych gazów, ostrych krawędzi, powierzchni ściernych lub pod obiektami znajdującymi się nad użytkownikiem, które mogą spaść na użytkownika lub na sprzęt zabezpieczający przed upadkiem.
- Upewnij się, że użytkowanie produktu jest dostosowane do zagrożeń występujących w środowisku pracy.
- Należy zapewnić wystarczającą wolną przestrzeń do upadku podczas prowadzenia prac na wysokościach.
- Nigdy nie wolno modyfikować ani przerabiać sprzętu zabezpieczającego przed upadkiem. Sprzęt firmy 3M może być naprawiany tylko przez firmę 3M lub podmioty upoważnione przez nią na piśmie.
- Przed użyciem sprzętu zabezpieczającego przed upadkiem należy upewnić się, że sporządzono pisemny plan ratunkowy umożliwiający podjęcie szybkich działań ratowniczych w razie upadku.
- Jeśli dojdzie do upadku, poszkodowanemu pracownikowi należy niezwłocznie zapewnić pomoc medyczną.
- Należy używać pełnych szelek bezpieczeństwa do zastosowań związanych z zatrzymaniem upadku. Nie stosować pasów na całe ciało.
- Należy minimalizować zagrożenie upadkiem w wyniku zakotwienia, pracując tak blisko punktu kotwienia, jak to tylko możliwe.
- Podczas szkolenia z użyciem produktu musi być zapewniony dodatkowy system ochrony przed upadkiem. Osoby szkolone nie mogą być narażone na niezamierzone ryzyko upadku.
- Zawsze nosić odpowiednie środki ochrony indywidualnej podczas instalowania, używania lub przeglądu produktu.
- Nigdy nie należy pracować poniżej zawieszono ładunku lub pracownika.
- Zawsze utrzymywać pełne zabezpieczenie.

Przed użyciem sprzętu należy zapisać dane produktu zawarte na etykiecie identyfikacyjnej w dzienniku przeglądów i konserwacji zamieszczonym na końcu niniejszej instrukcji.

Należy zawsze pamiętać, aby korzystać z najnowszej wersji instrukcji obsługi firmy 3M. Zaktualizowane instrukcje obsługi można uzyskać na stronie internetowej firmy 3M lub kontaktując się z działem technicznym firmy 3M.


## OPIS:


Na Rysunku 2 przedstawiono kluczowe elementy urządzeń samohamownych (SRD) Protecta Rebel. Urządzenia samohamowne Rebel to liny asekuracyjne (A) wykonane ze stali, nawinięte na bęben, które są zwijane do obudowy (B) termoplastycznej lub aluminiowej. Mogą one być zawieszane na punkcie kotwiczenia za pomocą karabińczyka przymocowanego do oczka krętlika (C) przewidzianego u góry urządzenia SRD. Samozatraskowy karabińczyk hakowy (D) na końcu liny asekuracyjnej podcina się do złącza zabezpieczenia przed upadkiem na pełnej uprząży. Zderzak (E) chroni linkę stalową i tulejki zabezpieczające karabińczyk hakowy przed ścieraniem i korozją.

Na Rysunku 1 pokazano modele urządzeń SRD Rebel, których dotyczy niniejsza instrukcja obsługi. Dostępne są następujące typy urządzeń SRD:

- **Urządzenie samohamowne (Rysunek 2A):** Urządzenia samohamowne (SRD) są przeznaczone do zastosowań, w przypadku których lina asekuracyjna pozostaje podczas użycia zasadniczo w pozycji pionowej, a ewentualny swobodny upadek jest ograniczony do 0,6 m (2 ft).
- **Urządzenie samohamowne do zastosowań na krawędzi (Rysunek 2B):** Urządzenia samohamowne do zastosowań na krawędzi (SRD-LE) są przeznaczone do zastosowań, w przypadku których lina asekuracyjna pozostaje podczas zastosowania zasadniczo w pozycji poziomej, a ewentualny swobodny upadek jest ograniczony do 1,5 m (5 ft). Urządzenia SRD-LE są wyposażone w zintegrowany amortyzator (F) lub podobny element, który absorbuje obciążenie liny asekuracyjnej przebiegającej nad ostrą lub szorstką krawędzią podczas zadziałania zabezpieczenia przed upadkiem oraz minimalizuje siły zatrzymujące oddziałujące na użytkownika w trakcie takiego zdarzenia.
- **Urządzenie samohamowne z wyciągiem (Rysunek 2C):** Urządzenie samohamowne z wyciągiem (SRD-R) jest wyposażone w zintegrowane elementy umożliwiające akcję ratowniczą poprzez podnoszenie lub opuszczanie ratowanej osoby. Urządzenia SRD-R są wyposażone w korbę ręczną z funkcją wyciągu awaryjnego w 3 kierunkach (G). Niektóre modele mogą zawierać wspornik mocujący trójnogu (H) do zamontowania urządzenia SRD-R na nodze trójnogu do zastosowania na ograniczonej przestrzeni.

**Tabela 1 – Dane techniczne**

 Połówki obudowy	Materiał
9508320 + 9520047	Aluminium — 15 m (50 ft) — urządzenia samohamowne SRD-R
9511070 + 9511071	Tworzywo termoplastyczne — 6 m (20 ft) — urządzenia samohamowne SRD, 10 m (33 ft) — urządzenia samohamowne SRD i 6 m (20 ft) — urządzenia samohamowne do zastosowań na krawędzi SRD-LE
9520021 + 9520022	Aluminium — 6 m (20 ft) i 10 m (33 ft) — urządzenia samohamowne SRD
9520044 + 9520045	Tworzywo termoplastyczne — 15 m (50 ft) — urządzenia samohamowne SRD i 10 m (33 ft) — urządzenia samohamowne do zastosowań na krawędzi SRD-LE
9520046 + 9520047	Aluminium — 15 m (50 ft) — urządzenia samohamowne SRD
9520056 + 9520057	Tworzywo termoplastyczne — 20 m (66 ft), 25 m (82 ft), 30 m (100 ft) — urządzenia samohamowne SRD
9520058 + 9520059	Aluminium — 20 m (66 ft), 25 m (82 ft) i 30 m (100 ft) — urządzenia samohamowne SRD

 Lina asekuracyjna	Opis	Karabińczyk hakowy
9501087 + 2000175	Lina ze stali ocynkowanej 5,56 mm (7/32 in), samozatraskowy obrotowy karabińczyk hakowy ze stali stopowej ze wskaźnikiem.	2000175
9501479 + 2000175	Lina ze stali ocynkowanej 4,76 mm (3/16 in), samozatraskowy obrotowy karabińczyk hakowy ze stali stopowej ze wskaźnikiem.	2000175
9501613 + 2000170	Lina stalowa ze stali nierdzewnej 4,76 mm (3/16 in), samozatraskowy obrotowy karabińczyk ze stali nierdzewnej ze wskaźnikiem.	2000170
9501613 + 2000175	Lina stalowa ze stali nierdzewnej 4,76 mm (3/16 in), samozatraskowy obrotowy karabińczyk hakowy ze stali stopowej ze wskaźnikiem.	2000175
9501613 + 2100044	Lina stalowa ze stali nierdzewnej 4,76 mm (3/16 in), samozatraskowy obrotowy karabińczyk hakowy ze stali nierdzewnej ze wskaźnikiem.	2100044

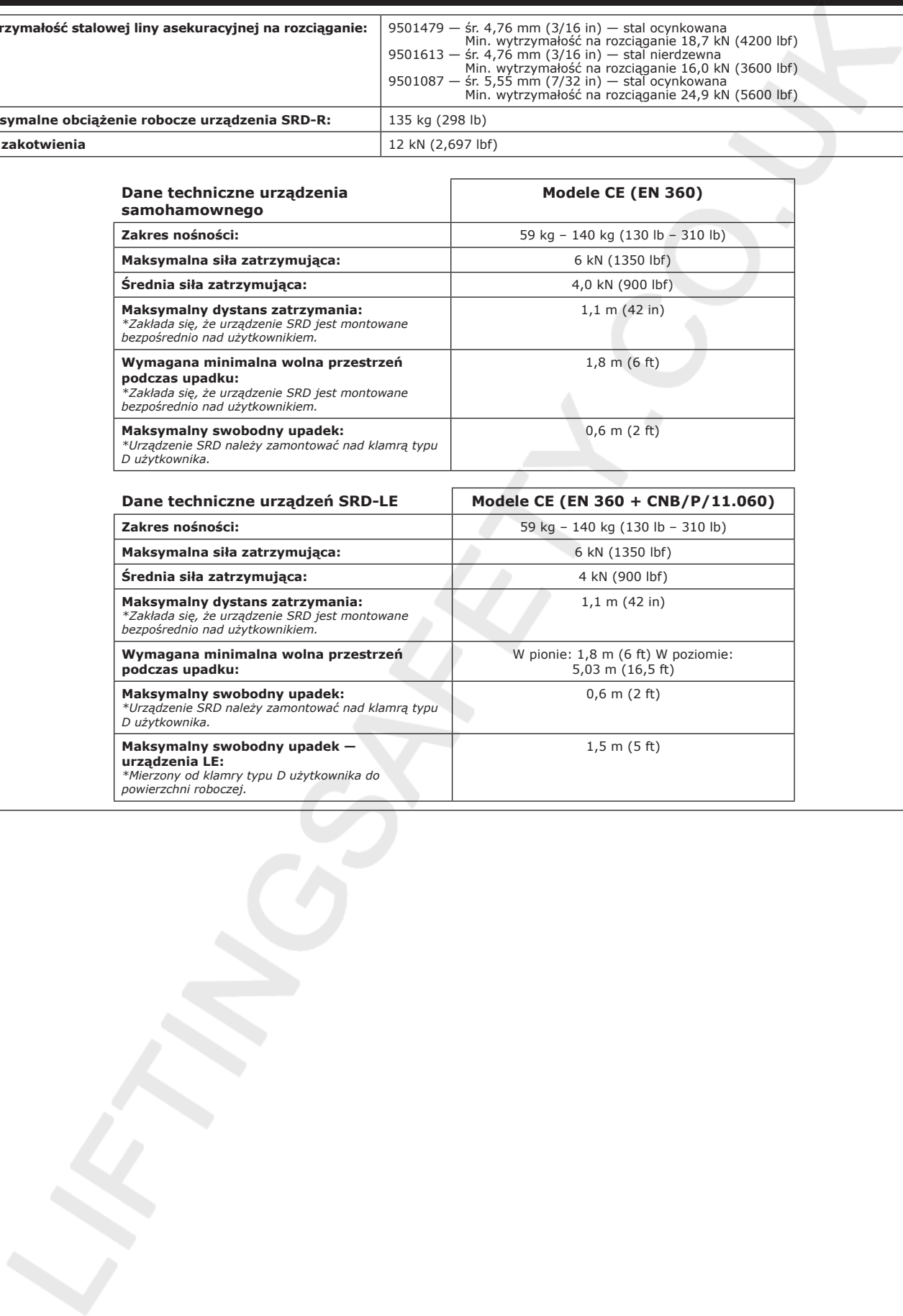
Karabińczyk hakowy	Opis	Materiał	Wytrzymałość zamknięcia	Wielkość gardzieli
2000170	Obrotowy samozatraskowy karabińczyk ze wskaźnikiem uderzenia	Stal nierdzewna	16 kN (3600 lbf)	1,9 cm (0,75 in)
2000175	Obrotowy samozatraskowy karabińczyk hakowy ze wskaźnikiem uderzenia	Stal ocynkowana	16 kN (3600 lbf)	1,9 cm (0,75 in)
2100044	Obrotowy samozatraskowy karabińczyk hakowy ze wskaźnikiem uderzenia	Stal nierdzewna	16 kN (3600 lbf)	1,9 cm (0,75 in)

**Tabela 1 – Dane techniczne**

<b>Wytrzymałość stalowej liny asekuracyjnej na rozciąganie:</b>	9501479 – śr. 4,76 mm (3/16 in) – stal ocynkowana Min. wytrzymałość na rozciąganie 18,7 kN (4200 lbf) 9501613 – śr. 4,76 mm (3/16 in) – stal nierdzewna Min. wytrzymałość na rozciąganie 16,0 kN (3600 lbf) 9501087 – śr. 5,55 mm (7/32 in) – stal ocynkowana Min. wytrzymałość na rozciąganie 24,9 kN (5600 lbf)
<b>Maksymalne obciążenie robocze urządzenia SRD-R:</b>	135 kg (298 lb)
<b>Siła zakotwienia</b>	12 kN (2,697 lbf)

<b>Dane techniczne urządzenia samohamownego</b>	<b>Modele CE (EN 360)</b>
<b>Zakres nośności:</b>	59 kg – 140 kg (130 lb – 310 lb)
<b>Maksymalna siła zatrzymująca:</b>	6 kN (1350 lbf)
<b>Średnia siła zatrzymująca:</b>	4,0 kN (900 lbf)
<b>Maksymalny dystans zatrzymania:</b> <i>*Zakłada się, że urządzenie SRD jest montowane bezpośrednio nad użytkownikiem.</i>	1,1 m (42 in)
<b>Wymagana minimalna wolna przestrzeń podczas upadku:</b> <i>*Zakłada się, że urządzenie SRD jest montowane bezpośrednio nad użytkownikiem.</i>	1,8 m (6 ft)
<b>Maksymalny swobodny upadek:</b> <i>*Urządzenie SRD należy zamontować nad klamrą typu D użytkownika.</i>	0,6 m (2 ft)

<b>Dane techniczne urządzeń SRD-LE</b>	<b>Modele CE (EN 360 + CNB/P/11.060)</b>
<b>Zakres nośności:</b>	59 kg – 140 kg (130 lb – 310 lb)
<b>Maksymalna siła zatrzymująca:</b>	6 kN (1350 lbf)
<b>Średnia siła zatrzymująca:</b>	4 kN (900 lbf)
<b>Maksymalny dystans zatrzymania:</b> <i>*Zakłada się, że urządzenie SRD jest montowane bezpośrednio nad użytkownikiem.</i>	1,1 m (42 in)
<b>Wymagana minimalna wolna przestrzeń podczas upadku:</b>	W pionie: 1,8 m (6 ft) W poziomie: 5,03 m (16,5 ft)
<b>Maksymalny swobodny upadek:</b> <i>*Urządzenie SRD należy zamontować nad klamrą typu D użytkownika.</i>	0,6 m (2 ft)
<b>Maksymalny swobodny upadek – urządzenia LE:</b> <i>*Mierzony od klamry typu D użytkownika do powierzchni roboczej.</i>	1,5 m (5 ft)



## 1.0 ZASTOSOWANIA

- 1.1 CEL:** Urządzenia samohamowne (SRD) 3M zostały zaprojektowane do wykorzystania jako element indywidualnego systemu zabezpieczenia przed upadkiem (personal fall arrest system, PFAS). Na rysunku 1 przedstawiono urządzenia SRD opisane w niniejszym podręczniku oraz ich typowe zastosowanie. Można je wykorzystywać w większości sytuacji, w których wymagane jest połączenie mobilności pracownika i zabezpieczenia przed upadkiem (np. prace inspekcyjne, ogólnobudowlane, konserwacyjne, przetwórstwo ropy, prace w przestrzeni ograniczonej itd.).
- 1.2 NORMY:** Urządzenie SRD spełnia wymagania krajowych i regionalnych norm podanych na okładce niniejszej instrukcji. Jeśli niniejszy produkt podlega odsprzedaży poza pierwotnym krajem przeznaczenia, odsprzedawca powinien dostarczyć niniejszą instrukcję w języku używanym w kraju użytkownika tego produktu.
- 1.3 SZKOLENIE:** Niniejsze urządzenie jest przeznaczone do wykorzystania przez osoby przeszkolone w zakresie jego prawidłowego stosowania i użycia. Do odpowiedzialności użytkownika należy zapewnienie, by osoby te były zaznajomione z niniejszą instrukcją oraz przeszkolone w zakresie prawidłowego wykorzystania tego urządzenia i dbania o nie. Użytkownicy muszą również mieć świadomość charakterystyki roboczej, ograniczeń stosowania i konsekwencji niewłaściwego wykorzystania.
- 1.4 OGRANICZENIA:** Zawsze podczas instalowania lub wykorzystywania tego urządzenia należy brać pod uwagę następujące ograniczenia i wymagania:

- **Udźwig:** To urządzenie SRD zostało sprawdzone pod kątem zgodności z przepisami w przypadku zastosowania przez jedną osobę o łącznej wadze (razem z ubraniem, narzędziami itp.) od 59 kg (130 lb) do 140 kg (310 lb).<sup>1</sup> Upewnij się, że wszystkie elementy posiadanego systemu są zdolne wytrzymać obciążenie występujące w przypadku danego zastosowania.
- **Punkt kotwiczący:** Wymagania dotyczące punktu kotwiczącego różnią się zależnie od zastosowania zabezpieczeń przed upadkiem. Konstrukcja, na której łącznik kotwiczący jest umieszczony i zamocowany, musi spełniać wymogi specyfikacji punktu kotwiczącego określonej w Tabeli 1.
- **Szybkość blokowania:** Należy unikać sytuacji, które nie zapewniają wolnej ścieżki upadku. Praca w przestrzeniach ograniczonych lub ciasnych może nie pozwolić ciału na osiągnięcie prędkości wystarczającej do zablokowania urządzenia SRD w razie upadku. Praca na powoli poruszającym się materiale, takim jak piasek czy żwir, może nie pozwolić na rozwinięcie prędkości wystarczającej do zablokowania urządzenia SRD. Prawidłowe zablokowanie urządzenia SRD wymaga braku przeszkód.
- **Swobodne spadanie:** Prawidłowe stosowanie urządzenia SRD w zastosowaniach górnych pozwala zminimalizować odległość swobodnego spadania. Aby zapobiec zwiększeniu odległości swobodnego spadania, należy postępować zgodnie z poniższymi instrukcjami:
  - Nigdy nie należy zaciskać linki asekuracyjnej, wiązać na niej węzłów czy też uniemożliwiać jej zwijanie lub utrzymanie naprężenia w inny sposób.
  - Należy unikać luzów na linie asekuracyjnej urządzenia SRD.
  - Nie pracować powyżej poziomu punktu kotwiczącego.
  - Nie należy przedłużać urządzenia SRD przez dopinanie linki bezpieczeństwa lub podobnego komponentu bez skonsultowania się z firmą 3M.

Informacje dotyczące swobodnego spadania i wolnej przestrzeni podczas upadku w odniesieniu do konkretnych produktów można znaleźć w tabeli 1 zamieszczonej w tej instrukcji.

- **Upadki w wyniku zakolysania:** Upadki w wyniku zakolysania zdarzają się, gdy punkt kotwienia nie jest umieszczony bezpośrednio nad punktem, w którym występuje upadek. Siła uderzenia w obiekt podczas upadku w wyniku zakolysania może spowodować poważne obrażenia (patrz rysunek 3A). Należy zminimalizować zagrożenie upadku w wyniku zakolysania, pracując tak blisko punktu kotwiczącego, jak to możliwe (rysunek 3B). Praca z dala od punktu kotwiczącego (rysunek 3C) spowoduje większe oddziaływanie upadku w wyniku zakolysania oraz zwiększenie wymaganej wolnej przestrzeni podczas upadku (FC).
- **Wolna przestrzeń podczas upadku:** Na rysunku 3B przedstawiono wyliczenie wolnej przestrzeni podczas upadku. Wolna przestrzeń podczas upadku (FC) to suma upadku swobodnego (FF), odległości wyhamowania (DD) oraz współczynnika bezpieczeństwa (SF):  $FC = FF + DD + SF$ . Współczynnik bezpieczeństwa obejmuje przesunięcie klamry typu D oraz rozciągnięcie szelek bezpieczeństwa. Wartości wolnej przestrzeni podczas upadku zostały obliczone oraz przedstawione na rysunku 4. Dla wszystkich wartości na rysunku 4 zastosowano współczynnik bezpieczeństwa wynoszący 1 m (3,28 ft).

Rysunek 3B i 3C przedstawiają wolną przestrzeń podczas upadku. Dla systemów zabezpieczenia przed upadkiem SRD minimalna wolna przestrzeń podczas upadku z pozycji stojącej, gdy urządzenie SRD jest zakotwiczone bezpośrednio nad głową (rysunek 3B), określona jest w tabeli 1. Upadki osoby kłęczącej lub pozostającej w przysiadzie będą wymagały wolnej przestrzeni podczas upadku, która musi być o 1 m (3 ft) większa. W sytuacji upadku w wyniku zakolysania (rysunek 3C) całkowita odległość upadku użytkownika może być również większa, niż gdyby użytkownik spadł pionowo (bepośrednio pod punktem kotwienia) i konieczne może być zapewnienie dodatkowej wolnej przestrzeni. Na rysunku 4 oraz w dołączonej tabeli określono maks. zasięg roboczy (C) w przypadku różnych wysokości punktu kotwiczącego (A) i wolnej przestrzeni podczas upadku (B) urządzeń SRD. Zalecany obszar roboczy jest ograniczony do strefy niewykraczającej poza maksymalny zasięg roboczy.

- **Zagrożenia:** Użytkowanie tego sprzętu w obszarach, w których występują zagrożenia może wymagać zastosowania dodatkowych środków ostrożności w celu zmniejszenia prawdopodobieństwa obrażeń użytkownika lub uszkodzenia sprzętu. Zagrożenia mogą obejmować między innymi: wysoką temperaturę, żrące substancje chemiczne, środowiska powodujące korozję, linie wysokiego napięcia, wybuchowe lub toksyczne gazy, maszyny w ruchu lub materiały znajdujące się u góry, które mogą spaść i zetknąć się z użytkownikiem lub systemem zabezpieczenia przed upadkiem. Należy unikać prowadzenia prac w taki sposób, by linka asekuracyjna mogła się krzyżować lub splątać z linką innego pracownika. Należy unikać prowadzenia prac w miejscach, gdzie jakiś obiekt może upaść i uderzyć w linkę asekuracyjną, powodując utratę równowagi pracownika lub uszkodzenie linki. Nie wolno pozwalać, by linki asekuracyjne przechodziły pod ramionami lub pomiędzy nogami.
- **Ostre krawędzie:** Unikać prac, podczas których linka asekuracyjna będzie wchodziła w kontakt lub będzie się ocierała o niezabezpieczone, ostre krawędzie. Tam, gdzie nie można uniknąć kontaktu z ostrą krawędzią, należy ją przykryć materiałem ochronnym.

<sup>1</sup> **Udźwig:** Natomiast urządzenia SRD z wyciągiem w 3 kierunkach są w stanie udźwignąć ciężar o maksymalnej wadze 135 kg (298 lb).



## 2.0 UŻYTKOWANIE

- 2.1 PLAN RATUNKOWY:** Podczas wykorzystania tego urządzenia pracodawca musi dysponować planem ratunkowym i środkami niezbędnymi do wdrożenia go i musi przekazać ten plan użytkownikom, osobom upoważnionym i ratownikom.
- 2.2 CZĘSTOTLIWOŚĆ KONTROLI:** Przed każdym użyciem osoba upoważniona<sup>1</sup> lub ratownik<sup>2</sup> musi przeprowadzić przegląd urządzeń SRD (patrz tabela 2). Co więcej, urządzenia SRD muszą być kontrolowane przez kompetentną osobę,<sup>3</sup> inną niż użytkownik, co najmniej raz w roku. Ekstremalne warunki robocze (wymagające środowisko, długi czas użycia itd.) mogą wymagać, aby kompetentna osoba częściej przeprowadzała kontrolę. Procedury kontroli są opisane w części „Dziennik kontroli i konserwacji” (tabela 3). Wyniki każdej kontroli wykonywanej przez kompetentną osobę należy rejestrować w „Dzienniku kontroli i konserwacji” lub zapisywać w systemie RFID.
- 2.3 PRACA NORMALNA:** Praca normalna pozwala na rozwijanie linki asekuracyjnej bez zwłoki i zwinanie jej bez luzu, podczas gdy pracownik porusza się z normalną prędkością. W razie upadku wykrywający prędkość system hamowania aktywuje się, zatrzymując upadek i absorbując znaczącą część wytworzonej energii. Podczas normalnej pracy należy unikać nagłych lub szybkich ruchów, ponieważ mogą one spowodować zablokowanie urządzenia SRD. W razie upadków występujących w pobliżu końca ruchu linki asekuracyjnej w celu redukcji sił hamujących podczas upadku wbudowany został rezerwowany system linki asekuracyjnej lub amortyzator. Jeżeli na urządzenie samohamowne działały siły hamujące podczas upadku: wycofać to urządzenie z eksploatacji, oznaczyć lub przymocować zawieszkę z napisem „NIEPRZEZNACZONE DO UŻYTKU”, przeprowadzić przegląd i naprawić zgodnie ze wskazówkami zawartymi w punktach 5 i 6.
- 2.4 SZELKI BEZPIECZEŃSTWA:** Razem z urządzeniem samohamownym należy stosować pełne szelki bezpieczeństwa. Punkt zaczepienia szelek bezpieczeństwa musi znajdować się powyżej środka ciężkości użytkownika. Wykorzystanie pasa na całe ciało razem z urządzeniem samohamownym nie jest dozwolone. W razie upadku podczas korzystania z pasa na całe ciało może nastąpić niezamierzone uwolnienie lub może dojść do obrażeń fizycznych z powodu niewłaściwych szelek bezpieczeństwa.
- 2.5 KOMPATYBILNOŚĆ ELEMENTÓW:** O ile nie podano inaczej, urządzenia 3M są zaprojektowane do wykorzystania wyłącznie z zatwierdzonymi elementami i podsystemami 3M. Zastępowanie lub wymienianie elementów lub podsystemów na takie, które nie zostały zatwierdzone może narażać na niebezpieczeństwo kompatybilność sprzętu i wpływać na bezpieczeństwo i niezawodność systemu jako całości. Należy przeczytać instrukcje producenta dla powiązanych elementów oraz podsystemów w indywidualnym systemie zabezpieczenia przed upadkiem i przestrzegać ich.
- 2.6 KOMPATYBILNOŚĆ ŁĄCZNIKÓW:** Łączniki są uważane za kompatybilne z elementami łączącymi, jeśli zostały zaprojektowane do współpracy z nimi w taki sposób, że ich rozmiary i kształty nie powodują niezamierzonego otwierania mechanizmów zamknięć, bez względu na ich orientację. W przypadku pytań dotyczących kompatybilności należy skontaktować się z firmą 3M.
- Łączniki wykorzystane do zawieszenia urządzenia SRD muszą być zgodne z normą EN362. Łączniki muszą być kompatybilne z kotwieniem i innymi elementami systemu. Nie wolno używać niekompatybilnego sprzętu. Niekompatybilne łączniki mogą się rozłączyć w sposób niezamierzony (patrz rysunek 5). Łączniki muszą być zgodne pod względem wielkości, kształtu i wytrzymałości. Wymagane są karabińczyki i samoblokujące się karabińczyki hakowe. Jeżeli element łączący, do którego przypięty jest karabińczyk lub karabińczyk hakowy, ma zbyt małe wymiary lub nieregularny kształt, może dojść do sytuacji, gdy poprzez element łączący na zamknięcie karabińczyka lub karabińczyka hakowego (A) działa siła. Ta siła może spowodować otwarcie zamknięcia (B), co umożliwi odłączenie się od punktu zaczepienia (C) karabińczyki lub karabińczyka zatraskowego.
- 2.7 ZACZEPIANIE:** Karabińczyki i karabińczyki hakowe wykorzystywane z tym urządzeniem muszą być samoblokujące. Należy zadbać o to, by wszystkie połączenia były kompatybilne pod względem rozmiaru, kształtu i wytrzymałości. Nie wolno używać niekompatybilnego sprzętu. Należy upewnić się, że wszystkie łączniki są całkowicie zamknięte i zablokowane. Łączniki 3M (karabińczyki i karabińczyki zatraskowe) zostały zaprojektowane do użytku wyłącznie w sposób określony w instrukcjach poszczególnych produktów. Przykłady niewłaściwych połączeń pokazano na rysunku 6. Karabińczyków i karabińczyków hakowych nie należy podłączać:
- Do klamer typu D, do których przypięto już inny łącznik.
  - W sposób, który może przyczynić się do obciążenia zatrasku. Nie należy przypinać karabińczyków zatraskowych o dużych rozmiarach zatrasku do klamer typu D o standardowym rozmiarze ani do innych podobnych obiektów, ponieważ może to spowodować obciążenie zatrasku, gdy karabińczyk lub klamra typu D skróci się lub obróci, chyba że karabińczyk zatraskowy jest wyposażony w zatrask odporny na działanie siły o wartości 16 kN (3600 lb). Sprawdzić oznaczenie karabińczyka zatraskowego, aby upewnić się, czy można go użyć w przypadku danego zastosowania.
  - W sposób pozorny, gdy do mocowania przyłączone zostają elementy wystające z karabińczyka lub karabińczyka samozatraskowego i bez wizualnych oględzin nie można potwierdzić całkowitego przytwierdzenia do punktu mocowania.
  - Do siebie nawzajem.
  - Bezpośrednio do taśmy, linki bezpieczeństwa bądź kotwy gruntowej (chyba że w instrukcjach producenta, zarówno w odniesieniu do linki bezpieczeństwa, jak i łącznika, wyraźnie dopuszczono takie połączenie).
  - Do żadnego obiektu, którego kształt lub wymiary uniemożliwiają zamknięcie i zablokowanie karabińczyka lub karabińczyka zatraskowego bądź mogą spowodować wysunięcie.
  - W sposób, który nie pozwala na właściwe ułożenie łącznika pod obciążeniem.

**Tabela 2 – harmonogram kontroli**

Rodzaj zastosowania	Przykłady zastosowania	Warunki użytkowania	Częstość kontroli
			Kompetentna osoba
Od rzadkiego do lekkiego	Ratownictwo, ograniczona przestrzeń, prace konserwacyjne w fabryce	Dobre warunki przechowywania, zastosowanie wewnątrz lub rzadkie zastosowanie na zewnątrz, temperatura pokojowa, czyste otoczenie	Co rok
Od średniego do dużego	Transport, budownictwo mieszkaniowe, zakład użyteczności publicznej, magazyny	Przeciętne warunki przechowywania, zastosowanie wewnątrz i długie zastosowanie na zewnątrz, wszystkie temperatury, czyste lub zakurzone otoczenie	Od co pół roku do co roku
Od ciężkiego do nieprzerwanego	Budownictwo komercyjne, ropa naftowa i gaz, górnictwo	Trudne warunki przechowywania, długie lub stałe zastosowanie na zewnątrz, wszystkie temperatury, zanieczyszczone otoczenie	Od co trzy do co sześć miesięcy

- 1 Osoba upoważniona:** Osoba wyznaczona przez pracodawcę do wykonywania obowiązków w miejscu narażenia pracowników na zagrożenie upadkiem.
- 2 Ratownik:** Osoba lub osoby inne niż osoba ratowana, podejmujące działania w celu przeprowadzenia wspólnej akcji ratunkowej poprzez obsługę systemu ratunkowego.
- 3 Kompetentna osoba:** Osoba wyznaczona przez pracodawcę jako osoba odpowiedzialna za bezpośredni nadzór, wdrażanie i monitorowanie zarządzanego przez pracodawcę programu ochrony przed upadkami, która dzięki szkoleniom i posiadanej wiedzy jest w stanie identyfikować, oceniać i reagować na istniejące oraz potencjalne ryzyko upadku i która jest upoważniona przez pracodawcę do niezwłocznego podejmowania działań naprawczych dotyczących tego ryzyka.

**2.8 URZĄDZENIA SAMOHAMOWNE DO ZASTOSOWAŃ NA KRAWĘDZI (SRL-LE):** Do urządzeń SRD opisanych w niniejszej instrukcji obsługi należą urządzenia samohamowne do zastosowań na krawędzi (SRL-LE). Modele urządzeń SRL-LE przedstawiono na Rysunku 1. Urządzenia SRL-LE zostały przetestowane pod kątem zastosowania w poziomie oraz upadków nad stalową krawędzią bez zadziorów. Z urządzeń SRL-LE można korzystać, gdy może dojść do upadku nad stalową krawędzią, tak jak ma to miejsce w przypadku blach lub kształtowników stalowych.

**Ostrzeżenia dotyczące zastosowań na krawędzi:** Podczas korzystania z urządzeń SRL-LE należy przestrzegać następujących środków ostrożności:

- Dopuszczalny kąt zmiany kierunku liny asekuracyjnej będącej częścią urządzenia SRL-LE przy krawędzi, nad którą może dojść do upadku (kąt należy zmierzyć pomiędzy dwoma bokami tworzonymi przez linę asekuracyjną po zmianie kierunku) powinien wynosić co najmniej 90 stopni (patrz Rysunek 7).
- Punkt kotwiczenia może być umieszczony na tej samej wysokości, co krawędź, przy której może się wydarzyć upadek lub powyżej tej krawędzi. Punkty kotwiczenia poniżej tej krawędzi stwarzają zagrożenie, ponieważ mogą spowodować, że lina asekuracyjna zostanie skierowana pod kątem mniejszym niż 90 stopni (patrz Rysunek 7).
- Należy sprawdzić w punkcie 1, jakie są ograniczenia dopuszczalnego obszaru roboczego w przypadku punktu kotwiczenia, w tym czynniki, takie jak upadek w wyniku zakotysania oraz ścieranie linki przy krawędzi, a także zastosowanie pojedynczego punktu kotwiczenia lub urządzeń kotwiczących, które umożliwiają ruch w poziomie (np. poziome liny asekuracyjne lub szyny poziome).
- Z urządzeń SRL-LE można korzystać w połączeniu z poziomą liną asekuracyjną lub szyną poziomą tylko w sposób zgodny z instrukcją poziomej liny asekuracyjnej lub szyny poziomej.
- Nie należy pracować po oddalonej stronie otworu naprzeciw punktu kotwiczenia urządzenia SRL-LE.
- W razie upadku nad krawędzią może okazać się konieczne zastosowanie specjalnych środków ratowniczych.
- Planując zastosowanie rozwiązania na krawędzi, należy się upewnić, że parametry obszaru roboczego są zgodne z minimalną odległością cofnięcia się, maksymalną odległością swobodnego upadku oraz minimalną wolną przestrzenią podczas upadku nad krawędzią, tak jak wskazano na etykietach urządzenia SRL-LE.

**Obliczenie wolnej przestrzeni podczas upadku – zastosowania na krawędzi:** Minimalną wolną przestrzeń podczas upadku wymaganą w razie upadku nad krawędzią można obliczyć na podstawie odległości cofania się oraz odległości wzdłuż krawędzi dotyczących danego zastosowania na krawędzi (patrz Rysunek 8). Aby obliczyć wolną przestrzeń podczas upadku zgodnie z Rysunkiem 8:

1. Wybrać wartość najbliższą danemu dystansowi cofania się (A) w nagłówku wiersza po lewej stronie.
2. Wybrać wartość najbliższą roboczemu dystansowi wzdłuż krawędzi (B) w nagłówku kolumny na górze. Zakreślone obszary bez wartości oznaczają, że odległość wzdłuż krawędzi znajduje się poza bezpiecznym zasięgiem roboczym dla wybranej odległości cofania się.
3. Wolna przestrzeń wymagana podczas upadku nad krawędzią (C) to wartość znajdująca się w miejscu przecięcia wiersza wybranego w kroku 1 oraz kolumny wybranej w kroku 2.
4. Powtórz poprzednie kroki dla każdej krawędzi, nad którą pracownik mógłby spaść, aby określić bezpieczne umiejscowienie punktu kotwiczącego oraz dopuszczalny zasięg roboczy.

**Definicja ostrej krawędzi wg normy CE:** Te urządzenia samohamowne zgodne z normą CE zostały pomyślnie przebadane pod kątem wykorzystania poziomego oraz upadków nad stalową krawędzią bez zadziorów. Należy przestrzegać ograniczeń dotyczących odległości cofania podanych na Rysunku 8. Unikać prac, podczas których lina asekuracyjna będzie stale lub wielokrotnie ocierać się o ostre lub szorstkie krawędzie. Należy wyeliminować kontakt z takimi powierzchniami lub zabezpieczyć krawędzie za pomocą grubej podkładki lub w inny sposób. Typy krawędzi są zdefiniowane następująco:

**VG 11.60, wersja 6 – definicja krawędzi typu A:** Do testów użyto stalowej krawędzi bez zadziorów, o promieniu  $r=0,5$  mm. Zgodnie z badaniem sprzęt może być używany na podobnych krawędziach, które można znaleźć na profilach ze stali walcowanej, drewnianych belkach lub powlekanych, zaokrąglonych balustradach.

### 3.0 MONTAŻ

- 3.1 PLANOWANIE:** System zabezpieczenia przed upadkiem należy zaplanować przed rozpoczęciem pracy. Należy uwzględnić wszystkie czynniki, które mogą wpłynąć na bezpieczeństwo przed upadkiem, podczas i po upadku. Należy uwzględnić wszystkie wymagania i ograniczenia wskazane w niniejszej instrukcji.
- 3.2 PUNKT KOTWICZENIA:** Rysunek 9 przedstawia typowe punkty kotwiczenia urządzeń SRD. Punkt kotwiczenia (A) powinien znajdować się bezpośrednio nad głową, aby zminimalizować ryzyko upadku swobodnego i upadku w wyniku zakotysania (patrz punkt 2). Należy wybrać sztywny punkt kotwiczenia zdolny do wytrzymania obciążeń statycznych zdefiniowanych w punkcie 2.2. Oczko krętlika na urządzeniu SRD jest wyposażone w karabińczyk (B). Zamocować karabińczyk bezpośrednio na konstrukcji kotwiczenia (pręt zbrojeniowy, kątownik stalowy itp.), łączniku zakotwiczenia (C) lub w punkcie kotwiczenia (D).
- 3.3 PODPIĘCIE UPRZEŻY:** W ramach zabezpieczenia przed upadkiem wymaga się stosowania pełnej uprząży. Podłączyć karabińczyk hakowy (A) liny asekuracyjnej SRD do tylnej grzbietowej klamry typu D (B) pełnej uprząży (patrz Rysunek 10). W sytuacjach takich jak wspinanie się po drabinie może być użyteczne podpięcie się do przedniej brzusznej klamry typu D. Należy zapoznać się ze sposobem korzystania z punktów zaczepienia uprząży, który jest opisany w instrukcji wydanej przez producenta uprząży.
- 3.4 MONTAŻ TRÓJNOGU:** Rysunek 11 przedstawia montaż urządzenia samohamownego Rebel z korbą ręczną do wyciągu na trójnogu Protecta. Urządzenie samohamowne SRD-R jest zamontowane na nodze trójnogu, a lina asekuracyjna jest prowadzona przez system bloczków na głowicy trójnogu. Więcej informacji można znaleźć w instrukcjach dołączonych do trójnogu oraz uchwytu mocującego.

### 4.0 SPOSÓB UŻYCIA

*Przed użyciem urządzeń samohamownych SRD Rebel nowi lub niedoświadczeni użytkownicy powinni zapoznać się z „Informacjami dotyczącymi bezpieczeństwa” znajdującymi się na początku tego podręcznika.*

- 4.1 PRZED KAŻDYM UŻYCIEM:** Sprawdzić, czy obszar roboczy i system zabezpieczenia przed upadkiem spełniają wszystkie kryteria określone w niniejszej instrukcji. Sprawdzić, czy istnieje formalny plan ratunkowy. Skontrolować produkt według punktów kontrolnych dla użytkownika podanych w „Dzienniku przeglądów i konserwacji”. Jeśli przegląd wykaże, że produkt jest wadliwy lub nie zapewnia bezpiecznej pracy, bądź jeśli pojawiają się jakiegokolwiek wątpliwości co do zapewnienia bezpiecznego użytkowania, należy go natychmiast wycofać z eksploatacji. Umieścić na nim wyraźne oznaczenie „NIE UŻYWAĆ”. Więcej informacji znajduje się w punkcie 5.
- 4.2 PO UPADKU:** Wszelkie urządzenia, które zostały podane działaniu sił zatrzymujących upadek lub wykazują uszkodzenie mogące wynikać z działania takich sił zgodnie z opisem w punkcie 5 należy natychmiast wycofać z eksploatacji, oznaczyć jako „NIE DO UŻYTKU” oraz naprawić zgodnie ze wskazówkami zawartymi w punktach 5 i 6.
- 4.3 SZELKI BEZPIECZEŃSTWA:** Podczas korzystania z urządzeń samohamownych SRD firmy 3M należy nosić pełną uprząż. W przypadku wykorzystania do ogólnego zabezpieczenia przed upadkiem urządzenie należy zaczepić do tylnej grzbietowej klamry typu D. W sytuacjach takich jak wspinanie się po drabinie może być użyteczne podpięcie się do przedniej brzusznej klamry typu D. Należy zapoznać się ze sposobem korzystania z punktów zaczepienia uprząży, który jest opisany w instrukcji wydanej przez producenta uprząży.
- 4.4 TWORZENIE POŁĄCZEŃ:** Jeżeli do zaczepienia wykorzystywany jest karabińczyk hakowy, należy zapewnić, że nie dojdzie do wycięcia (patrz Rysunek 5). Nie należy wykorzystywać karabińczyków hakowych ani łączników, które nie zamkną się całkowicie na obiekcie, do którego są mocowane. Nie należy wykorzystywać karabińczyków hakowych bez funkcji samoblokowania. Powierzchnia mocowania powinna spełniać wymagania dotyczące wytrzymałości punktu kotwiczenia, które przedstawiono w punkcie 2.2. Należy przestrzegać instrukcji producenta dostarczonych z każdym z elementów systemu.
- 4.5 OBSŁUGA:** Urządzenie SRD należy skontrolować zgodnie z opisem w punkcie 5.0. Przymocować urządzenie SRD do odpowiedniego punktu kotwiczenia lub łącznika kotwiczącego zgodnie z opisem zamieszczonym powyżej. Podczepić samozatraskowy karabińczyk hakowy, przewidziany na końcu liny asekuracyjnej, do grzbietowej klamry typu D, która znajduje się na pełnej uprząży (patrz Rysunek 10). Należy zadbać o to, by połączenia były kompatybilne pod względem rozmiaru, kształtu i wytrzymałości. Należy upewnić się, że karabińczyk hakowy jest całkowicie zamknięty i zablokowany. Po zaczepieniu pracownik może się swobodnie poruszać w zakresie zalecanego obszaru roboczego z normalną prędkością. W przypadku ustawienia pokrętła wyboru RSQ w położeniu „Zabezpieczenie przed upadkiem” („Fall Arrest”), urządzenie SRD będzie zapewniało amortyzację podczas upadku. W przypadku ustawienia pokrętła wyboru RSQ w położeniu „Opuszczanie” („Descent”), gdy dojdzie do upadku, urządzenie SRD automatycznie opuści użytkownika na niższy poziom. Podczas pracy z urządzeniem SRD należy zawsze umożliwić, aby lina asekuracyjna związała się z powrotem do urządzenia w sposób kontrolowany. Do rozwinięcia lub zwinięcia liny asekuracyjnej w czasie zapinania i rozpinania może być potrzebna lina zabezpieczająca. Lina zabezpieczająca pozwala uniknąć niekontrolowanego zwinięcia się liny asekuracyjnej do urządzenia SRD. W zależności od warunków panujących w miejscu pracy może być konieczne zabezpieczenie swobodnego końca liny zabezpieczającej w celu uniemożliwienia jej zaczepienia o osprzęt lub maszynę.
- 4.6 KORZYSTANIE Z TRYBU WYCIĄGANIA:** Rysunek 12 przedstawia działanie zintegrowanej awaryjnej korby ręcznej na urządzeniu SRD-R Rebel do wyciągu. Nie należy próbować obsługiwać wyciągu z całkowicie schowaną liną asekuracyjną. Aby włączyć tryb wyciągania i skorzystać z awaryjnej korby ręcznej:
1. Wyciągnąć uchwyt wyciągu w celu zwolnienia ramienia korby.
  2. Obrócić uchwyt wyciągu o 180°, wyjmując go z korpusu urządzenia SRD.
  3. Pociągnąć i przytrzymać gałkę przesuwania w pozycji odblokowanej.
  4. Wepchnąć ramię korby i zwolnić gałkę przesuwania. Jeżeli zajdzie taka potrzeba, obrócić ramię korby zgodnie z ruchem wskazówek zegara, aby ułatwić aktywację mechanizmu.
  5. Linę asekuracyjną należy podnosić i opuszczać w sposób przedstawiony na Rysunku 12:
    - A. Podnoszenie: Obrócić ramię korby przeciwnie do ruchu wskazówek zegara.
    - B. Opuszczanie: Najpierw delikatnie obrócić ramię korby przeciwnie do ruchu wskazówek zegara, aby zwolnić hamulec zabezpieczenia przed upadkiem, a następnie obrócić ramię korby zgodnie z ruchem wskazówek zegara.

*Zintegrowana, awaryjna korbą ręczną została przewidziana w przypadku modeli SRD-R z funkcją wyciągu awaryjnego w 3 kierunkach i można z niej korzystać wyłącznie w celach ratowniczych. Nie należy jej używać do ustawiania pozycji ani podnoszenia/opuszczania materiału.*

*Urządzenia SRD-R Rebel nie zawierają sprężyna przeciżeniowego, aby ograniczyć siłę wywieraną na elementy napędu i podłączoną osobę. W trybie wyciągania nie należy dopuszczać do luzowania się liny. Ponadto osobę należy obserwować w trakcie wyciągania, aby upewnić się, że nie dojdzie do zablokowania i wystawienia jej na działanie zbyt dużej siły w związku z kontynuowaniem podnoszenia w takich warunkach.*

Minimalne obciążenie 33,9 kg (75 lb) jest wymagane do opuszczenia lub wyciągnięcia liny asekuracyjnej. Do działania systemu wyciągu przy maksymalnym udźwigu wymagana jest siła 0,13 kN (30 lb).

Przerwać obracanie korbą, kiedy lina asekuracyjna jest w pełni wyciągnięta lub zwinięta. Kontynuowanie obracania korbą może spowodować zniszczenie elementów.

#### 4.7 WYŁĄCZANIE WYCIĄGU: Aby wyłączyć tryb wyciągania:

Po wyłączeniu trybu wyciągania rozwinięta lina asekuracyjna zostanie zwinięta do urządzenia SRD. Aby uniknąć ryzyka obrażeń, linę asekuracyjną należy zwinąć przed wyłączeniem tego trybu lub należy przytrzymać tę linę.

1. Usunąć całe obciążenie liny asekuracyjnej.
2. Pociągnąć i przytrzymać gałkę przesuwania w pozycji odblokowanej.
3. Wyciągnąć ramię korby do pozycji odblokowanej, a następnie zwolnić gałkę przesuwania.
4. Wyjąć i obrócić uchwyt wyciągu o 180° w kierunku korpusu urządzenia SRD do pozycji złożonej.

## 5.0 PRZEGLĄD

Po wycofaniu sprzętu z eksploatacji nie można przywrócić go do eksploatacji, dopóki osoba kompetentna nie potwierdzi na piśmie, że jest to dopuszczalne.

- 5.1 CZĘSTOTLIWOŚĆ PRZEGLĄDÓW:** Produkt musi być kontrolowany przez użytkownika oraz, dodatkowo, co najmniej raz na rok przez osobę kompetentną inną niż użytkownik. Wyższa częstotliwość użytkowania sprzętu i trudniejsze warunki mogą wymagać zwiększenia częstotliwości przeglądów przeprowadzanych przez osobę kompetentną. Częstotliwość tych przeglądów powinna zostać określona przez osobę kompetentną zgodnie z określonymi warunkami w miejscu pracy.
- 5.2 PROCEDURY PRZEGLĄDU:** Dokonywać przeglądu produktu według procedur podanych w „Dzienniku przeglądów i konserwacji”. Dokumentacja każdego przeglądu powinna być przechowywana przez właściciela tego sprzętu. Dziennik przeglądów i konserwacji należy umieścić w pobliżu produktu lub zapewnić jego łatwą dostępność dla użytkowników w inny sposób. Zaleca się oznaczenie produktu z podaniem daty następnego lub ostatniego przeglądu.
- 5.3 WADY:** Jeśli produktu nie można przywrócić do eksploatacji z powodu istniejącej wady lub niebezpiecznego stanu, należy go zniszczyć lub wysłać do firmy 3M bądź centrum serwisowego autoryzowanego przez firmę 3M w celu naprawy.
- 5.4 TRWAŁOŚĆ PRODUKTU:** Okres eksploatacji produktu jest zależny od warunków roboczych i konserwacji. Produkt ten może pozostać w eksploatacji tak długo, jak długo spełnia kryteria przeglądu.

## 6.0 KONSERWACJA, NAPRAWY I PRZECHOWYWANIE

Sprzęt, który wymaga konserwacji lub którego konserwację zaplanowano, powinien zostać oznaczony napisem „NIE UŻYWAĆ”. Oznaczeń sprzętu nie należy usuwać do czasu przeprowadzenia konserwacji.

- 6.1 CZYSZCZENIE:** Poniżej opisano procedury czyszczenia urządzenia samohamownego:
- Okresowo czyścić zewnętrzną powierzchnię urządzenia SRD przy użyciu wody i łagodnego detergentu. Urządzenie SRD ustawić w pozycji umożliwiającej ścieknięcie nadmiaru wody. Oczyszczyć etykiety, jeżeli będzie to niezbędne.
  - Linę asekuracyjną należy czyścić przy użyciu wody i łagodnego detergentu. Spłukać i dokładnie wysuszyć strumieniem powietrza. Nie suszyć z użyciem gorącego powietrza. Nadmierny osad powstały z zanieczyszczeń, farby itd. może spowodować, że lina asekuracyjna nie zwinie się do końca do obudowy, powodując tym samym potencjalne ryzyko upadku swobodnego. W przypadku występowania nadmiernego osadu wymienić linę asekuracyjną.
- 6.2 NAPRAWA:** Dodatkowa konserwacja oraz procedury serwisowe muszą być wykonywane przez autoryzowane centrum serwisowe. Nie należy próbować demontować urządzenia SRD ani smarować żadnych jego części.
- 6.3 PRZECHOWYWANIE I TRANSPORT:** Urządzenie samohamowne należy transportować i przechowywać w chłodnym, suchym i czystym otoczeniu. Nie należy wystawiać go na bezpośrednie działanie promieni słonecznych. Należy unikać miejsc, w których mogą występować opary chemiczne. Po każdym dłuższym okresie przechowywania należy przeprowadzić dokładny przegląd urządzenia SRD.

## 7.0 ETYKIETY

Rysunek 19 przedstawia etykiety na urządzeniach SRD Rebel oraz ich rozmieszczenie. Na urządzeniu SRD muszą się znajdować wszystkie etykiety. Jeśli etykiety nie są czytelne, należy je wymienić. Informacje na etykietach:

(A)	1) Skontrolować karabińczyk hakowy i wskaźnik uderzenia. 2) Skontrolować działanie blokady urządzenia SRD. 3) Podłączyć linę asekuracyjną urządzenia SRD do tylnego grzbietowego mocowania upręży. 4) Zastosowanie wyłącznie w pionie. Nigdy nie kotwiczyć urządzenia SRD poniżej tylnego grzbietowego mocowania upręży. 4A) Urządzenie samohamowne do zastosowań na krawędzi SRD-LE wymagane do kotwiczenia na poziomie tylnego grzbietowego punktu zaczepienia upręży lub poniżej. 4B) Zastosowanie wyłącznie w pionie. Nigdy nie kotwiczyć urządzenia SRD poniżej tylnego grzbietowego mocowania upręży. 5) Zakres temperatur: od -40°C do 60°C. 6) Maksymalny udźwig: 140 kg. 7) Należy kontrolować zwijanie liny asekuracyjnej do urządzenia SRD. Nigdy nie pozwalać, aby lina asekuracyjna zwijała się bez kontroli. 8) Czynności wykonywać bezpośrednio pod punktem kotwiczenia urządzenia SRD, aby zminimalizować ryzyko upadku w wyniku zakolysania. 9) Nie naprawiać. Niniejszy produkt może być naprawiany wyłącznie w autoryzowanym centrum serwisowym. 10) Urządzenie samohamowne należy przechowywać w chłodnym, suchym i czystym otoczeniu poza zasięgiem bezpośredniego nasłonecznienia. 11) Nie należy obciążać obudowy urządzenia SRD nad krawędzią. 12) Nie usuwać etykiet. 13) Przeczytać wszystkie instrukcje. 14) Identyfikator jednostki notyfikowanej. 15) Miesiąc następnego przeglądu. 16) Rok następnego przeglądu. 17) Rok i miesiąc produkcji. 18) Numer partii. 19) Numer modelu. 20) Długość liny asekuracyjnej. 21) Numer seryjny.
(B)	Obrócić ramię korby zgodnie z ruchem wskazówek zegara, aby opuścić linę asekuracyjną. Obrócić ramię korby przeciwnie do ruchu wskazówek zegara, aby wciągnąć linę asekuracyjną.
(C)	1) Wyciągnąć uchwyt wyciągu. 2) Odchylić uchwyt wyciągu od korpusu urządzenia SRD-R. 3) Wyjąć i przytrzymać gałkę przesuwania. 4) Wepchnąć i obrócić lekko ramię korby zgodnie z ruchem wskazówek zegara. 5) Zwolnić gałkę przesuwania.

**Tabela 3 – Dziennik przeglądów i konserwacji**

Numery seryjne:		Data zakupu:	
Numer modelu:		Data pierwszego użycia:	
Przeгляд przeprowadził(a):		Data przeglądu:	
Element:	Przeгляд:	Użytkownik	Osoba kompetentna
SRD (Rysunek 13)	Przejrzeć pod kątem poluzowanych śrub/sworzni i zgięć lub uszkodzonych części.	<input type="checkbox"/>	<input type="checkbox"/>
	Skontrolować obudowę (A) pod kątem odkształcenia, pęknięć i innych uszkodzeń.	<input type="checkbox"/>	<input type="checkbox"/>
	Skontrolować oczko krętlika (B) pod kątem odkształcenia, pęknięć i innych uszkodzeń. Oczko krętlika powinno być pewnie zamocowane do urządzenia SRD, ale powinno się swobodnie obracać.	<input type="checkbox"/>	<input type="checkbox"/>
	Lina asekuracyjna (C) powinna się rozciągać i związać bez żadnych opóźnień ani luzów.	<input type="checkbox"/>	<input type="checkbox"/>
	Upewnić się, że urządzenie samohamowne blokuje się przy mocnym szarpnięciu za linę asekuracyjną. Blokowanie powinno być pewne, bez poślizgu.	<input type="checkbox"/>	<input type="checkbox"/>
	Wszystkie etykiety muszą być na miejscu i być w pełni czytelne (patrz Rysunek 19).	<input type="checkbox"/>	<input type="checkbox"/>
	Przejrzeć cały moduł pod kątem oznak korozji.	<input type="checkbox"/>	<input type="checkbox"/>
Obrotowy karabińczyk hakowy i wskaźnik uderzenia (Rysunek 14)	Sprawdzić obrotowy karabińczyk hakowy pod kątem uszkodzeń, korozji i stanu użytkowego. Krętlik powinien obracać się swobodnie. Sprawdzić wskaźnik uderzenia. W przypadku gdy widoczny jest czerwony zakres (tryb ze wskazaniem), doszło do obciążenia na skutek działania siły uderzenia, a urządzenie SRD należy wycofać z eksploatacji i dokonać przeglądu. Nie wolno podejmować prób zresetowania wskaźnika uderzenia. Urządzenie SRD należy odesłać do autoryzowanego centrum serwisowego w celu zresetowania. UWAGA: Gdy wskaźnik uderzenia jest ustawiony w trybie ze wskazaniem, krętlik nie obraca się swobodnie.	<input type="checkbox"/>	<input type="checkbox"/>
Stalowa linę asekuracyjną (Rysunek 15)	Sprawdzić linę stalową pod kątem przecięć, splótów (A), zerwanych linek (B), rozluźnienia splótek liny (C), odprysków spawalniczych, korozji (D), obszarów kontaktu z substancjami chemicznymi lub obszarów startych w dużym stopniu. Wsunąć zderzak liny (E) i sprawdzić tulejki (F) pod kątem rys lub uszkodzenia, a samą linę stalową pod kątem korozji lub zerwanych pojedynczych linek. Wymienić zespół liny, jeśli jest w niej co najmniej sześć zerwanych linek w różnych miejscach jednej warstwy, lub co najmniej trzy linki jednego pasma w jednej warstwie. „Warstwa” liny to długość liny w paśmie (większa grupa linek) składająca się na jeden skręt liny. Wymienić zespół liny, jeśli są w niej jakiegokolwiek zerwane linki na odległości 25 mm (1 in) od tulejek.	<input type="checkbox"/>	<input type="checkbox"/>
Rezerwa liny asekuracyjnej (Rysunek 16)	Skontrolować rozwinięcie rezerwy liny asekuracyjnej. Po zatrzymaniu upadku przy rozwinięciu niemal całej liny asekuracyjnej rezerwa liny asekuracyjnej mogła już zostać użyta. Wyciągnąć linę asekuracyjną z urządzenia SRD, aż do jej zatrzymania. Jeśli widać czerwony pasek (G), rezerwa liny asekuracyjnej została zużyta, a urządzenie musi zostać serwisowane w autoryzowanym centrum serwisowym przed kolejnym użyciem.	<input type="checkbox"/>	<input type="checkbox"/>
Amortyzator SRD-LE (Rysunek 17)	W przypadku urządzeń samohamownych do zastosowań na krawędzi (SRD-LE) sprawdzić, czy zintegrowany amortyzator nie został aktywowany. Taśma nie powinna być wyciągnięta z obudowy (A). Pokrywa powinna być zabezpieczona, bez widocznych pęknięć (B) lub innych uszkodzeń.	<input type="checkbox"/>	<input type="checkbox"/>
Zintegrowana, awaryjna korbą ręczną do wyciągania (Rysunek 18)	Skontrolować ramię korby (A) pod kątem odkształcenia lub innych uszkodzeń. Upewnić się, że uchwyt wyciągu (B) można rozłożyć i zatrzymać w pozycji obracania korbą.	<input type="checkbox"/>	<input type="checkbox"/>
	Upewnić się, że gałka przesuwania wyciągu (C) może być wyciągnięta do pozycji odblokowanej i następnie zwolniona, blokując tym samym ramię korby zarówno w pozycji zamocowanej, jak i niezamocowanej.	<input type="checkbox"/>	<input type="checkbox"/>
	Sprawdzić, czy funkcja wyciągu działa prawidłowo, podnosząc i opuszczając obciążnik próbny o wadze co najmniej 34 kg (75 lb). Kiedy uchwyt wyciągu jest zwalniany, odważnik nie powinien się poruszać, a uchwyt wyciągu powinien pozostać na swojej pozycji (bezruch). Podczas podnoszenia obciążenia powinien być wyraźnie słyszalny odgłos „klikania”.	<input type="checkbox"/>	<input type="checkbox"/>
<b>Działanie naprawcze / konserwacja:</b>	Zatwierdzone przez:	Termin następnego przeglądu:	
	Data:		
<b>Działanie naprawcze / konserwacja:</b>	Zatwierdzone przez:	Termin następnego przeglądu:	
	Data:		
<b>Działanie naprawcze / konserwacja:</b>	Zatwierdzone przez:	Termin następnego przeglądu:	
	Data:		
<b>Działanie naprawcze / konserwacja:</b>	Zatwierdzone przez:	Termin następnego przeglądu:	
	Data:		
<b>Działanie naprawcze / konserwacja:</b>	Zatwierdzone przez:	Termin następnego przeglądu:	
	Data:		
<b>Działanie naprawcze / konserwacja:</b>	Zatwierdzone przez:	Termin następnego przeglądu:	
	Data:		
<b>Działanie naprawcze / konserwacja:</b>	Zatwierdzone przez:	Termin następnego przeglądu:	
	Data:		
<b>Działanie naprawcze / konserwacja:</b>	Zatwierdzone przez:	Termin następnego przeglądu:	
	Data:		

**Certifique-se de que lê, compreende e segue todas as informações de segurança contidas nestas instruções antes de utilizar este produto. O INCUMPRIMENTO DESSAS INSTRUÇÕES PODERÁ RESULTAR EM LESÕES GRAVES OU MORTE.**

**Estas instruções têm de ser fornecidas ao utilizador deste equipamento. Guarde estas instruções para referência futura.**

## Uso previsto:

Este produto é utilizado como parte de um sistema completo de proteção ant queda.

A sua utilização noutras circunstâncias incluindo, sem limitações, atividades de manuseamento de materiais, atividades recreativas ou relacionadas com desporto ou outras atividades não descritas nestas instruções, não está aprovada pela 3M e pode resultar em ferimentos graves ou morte.

Este produto só deve ser utilizado por pessoas que tenham recebido formação no local de trabalho.

## AVISO

Este produto é utilizado como parte de um sistema completo de proteção ant queda. Todos os utilizadores devem receber formação quanto à instalação e manuseamento seguros do seu sistema completo de proteção ant queda. **A má utilização deste produto pode resultar em ferimentos graves ou morte.** Para uma seleção, manuseamento, instalação, manutenção e serviço adequados, consulte todos os manuais de instruções e recomendações do fabricante. Para mais informações, consulte o seu supervisor ou contacte os serviços técnicos da 3M.

### • Para minimizar os riscos associados à utilização de um dispositivo autorretrátil que, caso não sejam evitados, podem resultar em ferimentos graves ou morte:

- Inspeccione o produto antes de cada utilização e, após cada incidente de queda, de acordo com os procedimentos especificados nestas instruções.
- Se a inspeção revelar condições perigosas ou defeituosas, remova o produto imediatamente de serviço e marque-o nitidamente como "NÃO UTILIZAR". Destrua ou repare o produto conforme requerido por estas instruções.
- Qualquer produto que tiver sido sujeito a forças de detenção da queda ou de impacto, deve ser imediatamente retirado de serviço. Destrua ou repare o produto conforme requerido por estas instruções.
- Assegure-se de que os sistemas de proteção ant queda, montados com componentes produzidos por diferentes fabricantes, são compatíveis e satisfazem todos os regulamentos, normas ou requisitos de proteção ant queda aplicáveis. Consulte sempre uma Pessoa competente ou Qualificada antes de utilizar estes sistemas.
- Certifique-se de que a linha de vida é mantida livre de todos os perigos, incluindo, mas não se limitando a: emaranhamento com utilizadores, outros trabalhadores, máquinas em movimento, outros objetos ao redor ou impacto de objetos aéreos que possam cair sobre a linha de vida ou utilizadores.
- Não torça, amarre, dê nós nem permita que haja folgas na linha de vida.
- Evite os perigos de tropeçar nas pernas da linha da vida. Se estiver equipado, fixe quaisquer pernas não utilizadas da linha de vida aos elementos de fixação para prender o cabo de segurança.
- Não ultrapasse o número de utilizadores permitidos especificado nestas instruções.
- Não utilize o dispositivo em situações com um trajeto de queda obstruído. É necessária uma trajetória desimpedida para bloquear o SRD. Trabalhar em materiais instáveis (por exemplo, areia ou grãos), ou em espaços confinados ou limitados, pode não permitir ao trabalhador atingir a velocidade suficiente para bloquear o SRD.
- Evite movimentos repentinos ou rápidos durante o funcionamento, porque podem provocar o bloqueio não intencional do SRD.
- Tenha cautela ao instalar, utilizar ou mover o produto, uma vez que as partes móveis podem criar pontos de aperto.
- Utilize proteção apropriada das extremidades em casos em que a linha de vida possa entrar em contacto com extremidades afiadas ou superfícies abrasivas.
- Retire imediatamente o produto de serviço se este tiver sido utilizado numa descida.
- Antes da utilização, certifique-se de que o percurso de descida e a área de pouso estão livres de quaisquer obstruções ou perigos.
- Certifique-se de que o produto é configurado e instalado corretamente para um manuseamento seguro, tal como é descrito nestas instruções.

### • Para minimizar os riscos associados à utilização em trabalhos em altura que, caso não sejam evitados, podem resultar em ferimentos graves ou morte:

- A sua saúde e condição física devem permitir-lhe trabalhar em segurança em alturas e resistir a todas as forças associadas a um evento de detenção da queda. Consulte o seu médico caso tenha questões quanto à sua capacidade de utilizar este equipamento.
- Nunca exceda a capacidade permitida do seu equipamento de proteção ant queda.
- Nunca exceda a distância de queda livre máxima especificada para o seu equipamento de proteção ant queda.
- Não utilize qualquer equipamento de proteção ant queda que não cumpra as inspeções ou caso tenha dúvidas quanto à utilização ou adequação do equipamento. Contacte os serviços técnicos da 3M se tiver dúvidas.
- Algumas combinações de subsistemas e componentes podem interferir com o funcionamento deste equipamento. Utilize apenas conectores compatíveis. Contacte os serviços técnicos da 3M quando instalar ou utilizar este equipamento em combinação com componentes ou subsistemas diferentes dos descritos nestas instruções.
- Tome precauções adicionais ao trabalhar perto de maquinaria em movimento, quanto a perigos elétricos, temperaturas extremas, perigos químicos, gases explosivos ou tóxicos, extremidades afiadas, superfícies abrasivas ou materiais suspensos que possam cair em cima de si ou do seu equipamento de proteção ant queda.
- Certifique-se de que a utilização do seu produto é avaliada em função dos perigos presentes no seu ambiente de trabalho.
- Certifique-se de que existe um espaço livre de queda suficiente ao trabalhar em alturas.
- Nunca modifique ou altere o equipamento de proteção ant queda. Apenas a 3M ou pessoas com autorização escrita da 3M podem efetuar reparações ao equipamento da 3M.
- Antes de utilizar equipamento de proteção ant queda, certifique-se de que existe um plano de resgate por escrito para levar a cabo um resgate imediato caso ocorra um incidente de queda.
- No caso de um incidente de queda, solicite imediatamente ajuda médica para o trabalhador que caiu.
- Utilize apenas um arnês de corpo inteiro para aplicações de detenção da queda. Não utilize um cinto de segurança.
- Minimizar as quedas com oscilação trabalhando o mais possível diretamente abaixo do ponto de fixação.
- Deve ser utilizado um sistema secundário de proteção ant queda quando se recebe formação com este produto. Os formandos não devem ser expostos a um risco de queda não intencional.
- Utilize sempre equipamento de proteção individual adequado durante a instalação, utilização ou inspeção do produto.
- Nunca trabalhe debaixo de uma carga ou de um trabalhador suspenso(a).
- Mantenha sempre 100% amarrado.

Antes de utilizar este equipamento, registre os dados de identificação do produto presentes na etiqueta de identificação no "Registro de inspeção e manutenção", no verso deste manual.

Certifique-se sempre de que está a utilizar a versão mais recente do seu manual de instruções da 3M. Visite o website da 3M ou contacte os Serviços Técnicos da 3M para obter manuais de instruções atualizados.


## DESCRIÇÃO:

A Figura 2 identifica os componentes chave dos dispositivos autorretráteis (SRD) Protecta Rebel. Os SRD Rebel são linhas de vida em cabo de aço (A) que recolhem para dentro de um invólucro termoplástico ou de alumínio (B). Podem ficar pendurados a partir da ancoragem por um mosquetão preso através do olhal giratório (C) no topo do SRD. Um mosquetão de autobloqueio (D) na extremidade da linha de vida é conectado à conexão de proteção contra quedas designada num arnês de corpo inteiro. Um para-choques (E) protege o cabo de aço e as virolas que prendem o mosquetão contra abrasão e corrosão.


A Figura 1 define os modelos de SRD Rebel abrangidos por este manual de instruções. Estão disponíveis os seguintes tipos de SRD:

- **Dispositivo autorretrátil (Figura 2A):** Os dispositivos autorretráteis (SRD) são adequados para aplicações em que a linha de vida se mantém geralmente na vertical durante a utilização e a possível queda livre encontra-se limitada a 0,6 m (2 pés).
- **Dispositivo de segurança autorretrátil com aresta dianteira (Figura 2B):** Os dispositivos autorretráteis com aresta dianteira (SRD-LE) são adequados para aplicações em que a linha de vida se mantém geralmente na horizontal durante a utilização e a possível queda livre se encontra limitada a 1,5 m (5 pés). Os SRD-LE possuem um amortecedor de energia (F), ou componente semelhante, integrado para resistir a cargas de impacto da linha de vida ou extremidades abrasivas durante a detenção da queda e minimizar as forças de detenção da queda sobre o utilizador.
- **Dispositivo autorretrátil com resgate (Figura 2C):** Os dispositivos autorretráteis com resgate (SRD-R) incluem um meio integrado para resgate assistido através da elevação ou descida do objeto resgatado. O SRD-R estão equipados com uma manivela manual de resgate de emergência de 3 vias (G). Alguns modelos incluem um suporte de montagem de tripé (H) para montar o SRD-R na perna de um tripé para aplicações em espaços confinados.

**Tabela 1 – Especificações**

 Metades do invólucro	Material
9508320 + 9520047	Alumínio - 15 m (50 pés) SRD-R
9511070 + 9511071	Termoplástico - 6 m (20 pés) SRD, 10 m (33 pés) SRD, 6 m (20 pés) Aresta dianteira SRD-LE
9520021 + 9520022	Alumínio - 6 m (20 pés) e 10 m (33 pés) SRD
9520044 + 9520045	Termoplástico - 15 m (50 pés) SRD e 10 m (33 pés) Aresta dianteira SRD-LE
9520046 + 9520047	Alumínio - 15 m (50 pés) SRD
9520056 + 9520057	Termoplástico - 20 m (66 pés), 25 m (82 pés), 30 m (100 pés) SRD
9520058 + 9520059	Alumínio - 20 m (66 pés), 25 m (82 pés), 30 m (100 pés) SRD

 Corda de segurança	Descrição	Gancho
9501087 + 2000175	Cabo de 5,56 mm (7/32 pol.) em aço galvanizado, com gancho de engate rápido giratório de bloqueio automático em liga de aço e indicador.	2000175
9501479 + 2000175	Cabo de 4,76 mm (3/16 pol.) em aço galvanizado, com gancho de engate rápido giratório de bloqueio automático em liga de aço e indicador.	2000175
9501613 + 2000170	Cabo de 4,76 mm (3/16 pol.) em aço inoxidável, com mosquetão giratório de bloqueio automático em liga de aço e indicador.	2000170
9501613 + 2000175	Cabo de 4,76 mm (3/16 pol.) em aço inoxidável, com gancho de engate rápido giratório de bloqueio automático em liga de aço e indicador.	2000175
9501613 + 2100044	Cabo de 4,76 mm (3/16 pol.) em aço inoxidável, com gancho de engate rápido giratório de bloqueio automático em aço inoxidável e indicador.	2100044

Gancho	Descrição	Material	Resistência do trinco	Tamanho da abertura
2000170	Mosquetão giratório de bloqueio automático com indicador de impacto	Aço inoxidável	16 kN (3 600 libras)	1,9 cm (0,75 pol.)
2000175	Gancho de engate rápido giratório de bloqueio automático com indicador de impacto	Aço galvanizado	16 kN (3 600 libras)	1,9 cm (0,75 pol.)
2100044	Gancho de engate rápido giratório de bloqueio automático com indicador de impacto	Aço inoxidável	16 kN (3 600 libras)	1,9 cm (0,75 pol.)

**Tabela 1 – Especificações**

<b>Resistência à tração da linha de vida com cabo de arame:</b>	Aço galvanizado de 9501479 - 4,76 mm (3/16 pol.) de diâ. Espaço à tração mínima de 18,7 kN (4.200 lbf) Aço inoxidável de 9501613 - 4,76 mm (3/16 pol.) de diâ. Espaço à tração mínima de 16,0 kN (3 600 lbf) Aço galvanizado de 9501087 - 5,55 mm (7/32 pol.) de diâ. Espaço à tração mínima de 24,9 kN (5 600 lbf)
<b>Carga máxima de elevação do SRD-R:</b>	135 kg (298 lb.)
<b>Força de ancoragem</b>	12 kN (2,697 lbf)

<b>Especificações do SRD</b>	<b>Modelos CE (EN 360)</b>
<b>Intervalo de capacidade:</b>	59 kg - 140 kg (130 lb. - 310 lb.)
<b>Força máxima de interrupção:</b>	6 kN (1 350 libras)
<b>Força de paragem média:</b>	4,0 kN (900 lbf)
<b>Distância de paragem máxima:</b> <i>*Pressupõe que a SRD está montada diretamente por cima do utilizador.</i>	1,1 m (42 pol.)
<b>Folga mínima necessária em caso de queda:</b> <i>*Pressupõe que a SRD está montada diretamente por cima do utilizador.</i>	1.8 m (6 pés)
<b>Queda livre máxima:</b> <i>*O SRD deve ser montado acima da argola em D do utilizador.</i>	0,6 m (2 pés)

<b>Especificações do SRD-LE</b>	<b>Modelos CE (EN 360 + CNB/P/11.060)</b>
<b>Intervalo de capacidade:</b>	59 kg - 140 kg (130 lb. - 310 lb.)
<b>Força máxima de interrupção:</b>	6 kN (1 350 libras)
<b>Força de paragem média:</b>	4 kN (900 lbf)
<b>Distância de paragem máxima:</b> <i>*Pressupõe que a SRD está montada diretamente por cima do utilizador.</i>	1,1 m (42 pol.)
<b>Folga mínima necessária em caso de queda:</b>	Vertical: 1.8 m (6 pés) Horizontal: 5,03 m (16,5 pés)
<b>Queda livre máxima:</b> <i>*O SRD deve ser montado acima da argola em D do utilizador.</i>	0,6 m (2 pés)
<b>Queda livre máxima - LE:</b> <i>*Medido desde a argola em D do utilizador até à superfície de trabalho.</i>	1,5 m (5 pés)



## 1.0 APLICAÇÕES

- 1.1 FINALIDADE:** Os dispositivos de segurança autorretráteis (SRD) da 3M foram concebidos para serem componentes num sistema pessoal de proteção antiquedas (PFAS). A Figura 1 ilustra os SRD abrangidos por este manual de instruções e as suas aplicações normais. Podem ser utilizados na maioria das situações em que é necessária a combinação entre a mobilidade do trabalhador e a proteção antiqueda (ex.: trabalho de inspeção, construção geral, trabalho de manutenção, produção de petróleo, trabalho em espaços confinados, etc.).
- 1.2 NORMAS:** O seu SRD está em conformidade com as normas nacionais ou regionais identificadas na capa destas instruções. Se este produto for revendido fora do país de destino original, o revendedor deve fornecer estas instruções na língua do país no qual o produto será usado.
- 1.3 FORMAÇÃO:** Este equipamento destina-se a ser utilizado por pessoas formadas na sua aplicação e utilização corretas. Compete ao utilizador certificar-se de que está familiarizado com estas instruções e de que adquire a formação sobre os cuidados e utilização corretos deste equipamento. Os utilizadores têm de estar conscientes das características de funcionamento, dos limites de aplicação e das consequências da sua utilização incorreta.
- 1.4 LIMITAÇÕES:** Tenha sempre em consideração as seguintes limitações e requisitos quando instalar ou utilizar este equipamento:
- **Capacidade:** esta SRD foi testado em termos de conformidade para ser utilizado por uma pessoa com um peso combinado (roupa, ferramentas, etc.) de 59 kg (130 libras) a 140 kg (310 libras).<sup>1</sup> Certifique-se de que todos os componentes do seu sistema possuem a capacidade nominal adequada para a sua aplicação.
  - **Ancoragem:** Os requisitos de ancoragem variam com a aplicação da proteção antiqueda. A estrutura na qual o Conector de Ancoragem é colocado ou montado deve cumprir as especificações de Ancoragem definidas na Tabela 1.
  - **Velocidade de bloqueio:** Devem ser evitadas as situações que não permitem uma trajetória de queda livre. Trabalhar em espaços confinados ou exíguos pode não permitir que o corpo atinja a velocidade necessária para fazer com que o SRD bloqueie em caso de queda. Trabalhar em material instável, tal como a areia ou grãos, pode não permitir atingir a velocidade necessária para provocar o bloqueio do SRD. É necessária uma trajetória desimpedida para assegurar o bloqueio positivo do SRD.
  - **Queda livre:** a utilização correta de um SRD em aplicações suspensas minimiza a distância de queda livre. Para evitar uma maior distância de queda livre, siga as instruções abaixo:
    - Nunca prenda, ate ou de qualquer forma impeça que a corda de segurança se retraia nem impeça que fique esticada sob tensão.
    - Evite qualquer folga na corda de segurança do SRD.
    - Não trabalhe acima do nível da sua ancoragem.
    - Não aumente o comprimento do SRD fazendo a ligação de um cabo de segurança ou componente semelhante sem consultar a 3M.

Para obter informações específicas de cada produto relacionadas com valores de queda livre e altura livre de queda, consulte a Tabela 1 incluída nestas instruções.

- **Pêndulos:** Os pêndulos ocorrem quando o ponto de ancoragem não se encontra diretamente acima do ponto onde ocorre uma queda. A força de embate num objeto num pêndulo pode provocar ferimentos graves (ver a Figura 3A). Minimize as quedas em pêndulo trabalhando o mais possível diretamente abaixo do ponto de ancoragem (Figura 3B). Trabalhar longe do ponto de ancoragem (Figura 3C) irá aumentar o impacto de uma queda em pêndulo e aumentar a distância de queda (FC) necessária.
  - **Distância de queda:** A Figura 3B ilustra o cálculo da distância de queda. A distância de queda (FC) é a soma de queda livre (FF), distância de desaceleração (DD) e um fator de segurança (SF):  $FC = FF + DD + SF$ . O deslizamento da argola em D e a elasticidade do arnês estão incluídos no fator de segurança. Os valores de distância de queda foram calculados e são apresentados na Figura 4. Foi usado um fator de segurança de 1 m (3,28 pés) para todos os valores na Figura 4.
- As Figuras 3B e 3C ilustram a altura livre de queda. Para quedas a partir de uma posição em pé onde o SRD está ancorado diretamente por cima (Figura 3B), os sistemas de detenção da queda SRD devem ter as alturas livre de queda mínimas especificadas na Tabela 1. As quedas a partir de uma posição ajoelhada ou agachada irão requerer uma altura livre de queda adicional de 1 m (3 pés). Numa situação de pêndulo (Figura 3C), a distância total vertical será superior à que o utilizador experimentaria se tivesse caído diretamente sob o ponto de ancoragem e poderá requerer uma maior altura livre de queda. A Figura 4 e a tabela que a acompanha define o raio de trabalho máximo (C) para diversas alturas de ancoragem (A) e alturas livres de queda (B) de SRD. A zona de trabalho recomendada encontra-se limitada à área localizada dentro do raio de trabalho máximo.
- **Riscos:** A utilização deste equipamento em áreas onde existem riscos envolventes pode exigir precauções adicionais para reduzir a possibilidade de ferimentos ao utilizador ou danos no equipamento. Os riscos podem incluir, mas de forma não limitativa: elevadas temperaturas, produtos químicos cáusticos, ambientes corrosivos, linhas de alta tensão, gases explosivos ou tóxicos, equipamentos móveis ou materiais localizados acima da cabeça que podem cair e embater no utilizador ou no sistema de detenção da queda. Evite trabalhar no local onde a sua corda de segurança se pode cruzar ou emaranhar com a de outro trabalhador. Evite trabalhar no local onde um objeto pode cair e atingir a corda de segurança, provocando a perda de equilíbrio ou danos na mesma. Não permita que a corda de segurança passe por baixo dos braços ou entre as pernas.
  - **Arestas aguçadas:** Evite trabalhar no local onde a corda de segurança poderá estar em contacto ou raspar em arestas aguçadas sem proteção. Nos casos em que não é possível evitar o contacto com arestas aguçadas, tape a aresta com material de proteção.

## 2.0 UTILIZAÇÃO

- 2.1 PLANO DE RESGATE:** Quando utilizar este equipamento, a entidade patronal tem de ter um plano de salvamento e os meios disponíveis para o implementar, devendo comunicar esse plano aos utilizadores, pessoas autorizadas e equipas de salvamento.

<sup>1</sup> **Capacidade:** Os SRD com resgate de 3 vias possuem uma capacidade nominal de carga de elevação máxima de 135 kg (298 libras).

- 2.2 FREQUÊNCIA DE INSPEÇÕES:** Os SRD devem ser inspecionados pela pessoa autorizada<sup>1</sup> ou elemento de socorro<sup>2</sup> antes de cada utilização (ver a Tabela 2). Além disso, devem ser efetuadas inspeções, com a periodicidade mínima de um ano, por uma pessoa competente<sup>3</sup> que não seja o utilizador. As condições de trabalho extremas (ambientes rigorosos, utilização prolongada, etc.) podem exigir o aumento da frequência das inspeções por pessoas competentes. Os procedimentos de inspeção estão descritos no "Registo de inspeções e manutenções" (Tabela 3). Os resultados de cada inspeção efetuada por pessoas competentes devem ser registados no "Registo de inspeções e manutenções" ou registados no sistema RFID.
- 2.3 FUNCIONAMENTOS NORMAIS:** O funcionamento normal irá permitir que a linha de vida estique ou recolha sem hesitações ou folgas à medida que o trabalhador se movimenta a velocidades normais. No caso de ocorrer uma queda, o sistema de freio com deteção de velocidade é ativado, parando a queda e absorvendo muita da energia criada. Devem ser evitados movimentos repentinos ou rápidos durante o funcionamento normal, pois podem provocar o bloqueio do SRD. Para quedas que ocorram próximo da extremidade do curso da linha de vida, foi incorporado um sistema de linha de vida de reserva ou absorvedor de energia para reduzir as forças de detenção da queda. Se o SRD tiver sido sujeito a forças de detenção da queda: retire-o de serviço, marque-o ou etiquete-o como "FORA DE SERVIÇO", inspecione-o e repare-o conforme as instruções das Secções 5 e 6.
- 2.4 APOIO CORPORAL:** Tem de ser utilizado um arnês de corpo inteiro com o dispositivo autorretrátil. O ponto de ligação do arnês tem de estar acima do centro de gravidade do utilizador. Não é autorizada a utilização de um cinto de segurança com o dispositivo autorretrátil. Se ocorrer uma queda aquando da utilização de um cinto de segurança, este pode provocar a libertação involuntária e traumatismo físico devido ao suporte corporal inadequado.
- 2.5 COMPATIBILIDADE DOS COMPONENTES:** Salvo indicação em contrário, o equipamento da 3M destina-se ser usado apenas com componentes e subsistemas aprovados pela 3M. As substituições efetuadas com componentes ou subsistemas não aprovados podem comprometer a compatibilidade do equipamento e podem afetar a segurança e fiabilidade de todo o sistema. Leia e siga as instruções do fabricante para componentes e subsistemas associados no seu sistema de detenção da queda individual.
- 2.6 COMPATIBILIDADE DOS CONECTORES:** Os conectores são considerados compatíveis com elementos de ligação quando são concebidos para trabalhar em conjunto de modo a que os seus tamanhos e formas não provoquem a abertura involuntária dos seus mecanismos de fecho, independentemente da forma como ficam orientados. Contacte a 3M se tiver dúvidas em relação à compatibilidade. Os conectores utilizados para suspender o SRD têm de estar em conformidade com a norma EN362. Os conectores têm de ser compatíveis com a ancoragem ou com outros componentes do sistema. Não utilize equipamento que não seja compatível. Os conectores incompatíveis podem desprender-se involuntariamente (consulte a Figura 5). Os conectores têm de ser compatíveis em tamanho, forma e resistência. São necessários ganchos de engate rápido e mosquetões. Se o elemento de ligação ao qual se fixa o gancho de engate rápido ou mosquetão for demasiado pequeno ou tiver uma forma irregular, pode ocorrer uma situação no local onde o elemento de ligação aplica uma força à lingueta do gancho de engate rápido ou mosquetão (A). Esta força pode provocar a abertura da lingueta (B), permitindo que o gancho de engate rápido ou mosquetão se solte do ponto de ligação (C).
- 2.7 EFETUAR LIGAÇÕES:** Os ganchos de engate rápido e mosquetões utilizados com este equipamento têm de ser de bloqueio automático. Certifique-se de que todas as ligações são compatíveis em tamanho, forma e resistência. Não utilize equipamento que não seja compatível. Certifique-se de que todos os conectores estão totalmente fechados e bloqueados. Os conectores 3M (ganchos de engate rápido e mosquetões) foram concebidos para serem utilizados apenas como indicado no manual de instruções de cada produto. Consulte a Figura 6 para visualizar exemplos de ligações incorretas. Não ligue ganchos de engate rápido e mosquetões:
- A um D-Ring onde esteja preso outro conector.
  - De forma a que resulte uma carga sobre a lingueta. Os mosquetões de abertura larga não devem ser ligados a D-rings de tamanho normal ou a objetos idênticos, pois esta situação irá resultar numa carga sobre a lingueta caso o mosquetão ou o D-ring gire ou rode, a não ser que o mosquetão esteja equipado com um trinco para 16 kN (3600 libras). Veja as marcações do seu mosquetão para verificar se é adequado para a sua aplicação.
  - Num encaixe incorreto, no qual os elementos salientes do gancho de engate rápido ou do mosquetão fiquem presos na ancoragem e que, sem confirmação visual, pareçam estar totalmente encaixados no ponto de ancoragem.
  - Entre si.
  - Diretamente em tecido ou cabo de segurança ou fixação (a menos que as instruções do fabricante tanto para o cabo de segurança como para o conector permitam especificamente uma ligação desse tipo).
  - A um objeto que tenha uma forma ou dimensão que não permita que os ganchos de engate rápido ou mosquetões fechem e tranquem ou que possa ocorrer deslizamento.
  - De forma a não permitir que o conector fique corretamente alinhado enquanto estiver sujeito a carga.

**Tabela 2 – Calendário de inspeção**

Tipo de utilização	Exemplos de aplicação	Condições de utilização	Frequência de inspeções
			Pessoa competente
Não frequente a leve	Salvamento e espaço confinado, manutenção de fábrica	Boas condições de armazenamento, utilização em espaços fechados ou utilização não frequente em espaços abertos, temperatura ambiente, ambientes limpos	Anualmente
Moderado a pesado	Transportes, construção de casas, serviços públicos, armazém	Condições razoáveis de armazenamento, utilização em espaços fechados e utilização prolongada em espaços abertos, todas as temperaturas, ambientes limpos ou poeirentos	Semestral ou anualmente
Severo a contínuo	Construção comercial, indústria petrolífera, exploração mineira	Fracas condições de armazenamento, utilização prolongada ou contínua em espaços abertos, todas as temperaturas, ambientes sujos	Trimestral ou semestralmente

- 1 Pessoa autorizada:** Pessoa designada pela entidade empregadora para realizar trabalhos numa localização em que a pessoa estará exposta a perigo de queda.
- 2 Elemento de salvamento:** Pessoa ou pessoas (sem ser a pessoa a ser socorrida) que procedem a uma ação de salvamento assistido, mediante a utilização de um sistema de salvamento.
- 3 Pessoa competente:** Uma pessoa designada pelo empregador para ser o responsável pela supervisão imediata, implementação e monitorização do programa de proteção ant queda gerido pelo empregador que, através de formação e conhecimentos, é capaz de identificar, avaliar e solucionar perigos de queda existentes e potenciais e que tem a autoridade do empregador para tomar medidas de correção imediatas relativamente a esses perigos.

**2,8 DISPOSITIVOS AUTORRETRÁTEIS COM ARESTA DIANTEIRA (SRL-LE):** Os SRD abrangidos por este manual de instruções incluem dispositivos autorretráteis com capacidades de aresta dianteira (SRL-LE). Consulte a Figura 1 para conhecer os modelos de SRL-LE específicos. Os SRL-LE foram testados para utilização horizontal e quedas numa aresta em aço sem rebarbas. Os SRL-LE podem ser utilizados em situações em que pode ocorrer uma queda em arestas em aço, tais como as encontradas em formas de aço ou chapas metálicas.

**Precauções relativamente a arestas dianteiras:** Cumpra as seguintes precauções ao utilizar os SRL-LE:

- O ângulo de redirecionamento permitido da parte de linha de vida do SRL-LE na aresta na qual pode ocorrer uma queda (medido entre os dois lados formados pela linha de vida redirecionada), deve ser de, pelo menos, 90 graus (consulte a Figura 7).
- O ponto de ancoragem deverá estar situado à mesma altura que a aresta na qual pode ocorrer uma queda ou acima da mesma. Os pontos de ancoragem abaixo da aresta são perigosos, uma vez que podem fazer com que a linha de vida seja redirecionada para um ângulo mais agudo do que 90 graus (consulte a Figura 7).
- Consulte a Secção 1 para saber quais são as limitações na área de trabalho permitida em relação ao ponto de ancoragem, incluindo fatores como queda de oscilação e abrasão na linha na aresta e a utilização de um único ponto de ancoragem por oposição a ancoragens que permitem o movimento horizontal (por exemplo, Linha de Vida Horizontal ou Calha Horizontal).
- Os SRL-LE podem ser utilizados com uma Linha de Vida Horizontal ou Calha Horizontal apenas conforme as instruções do produto para a Linha de Vida Horizontal ou Calha Horizontal.
- Não trabalhe no lado oposto de uma abertura relativamente ao ponto de ancoragem do SRL-LE.
- Em caso de queda sobre uma aresta, podem ser necessárias medidas especiais de salvamento.
- Ao planear a sua aplicação em aresta dianteira, certifique-se de que os parâmetros de área de trabalho estão dentro da distância de segurança mínima, distância de queda livre máxima e altura livre de queda mínima exigida ao cair por uma aresta, conforme indicado na etiqueta do SRL-LE.

**Cálculo da altura livre de queda da aresta dianteira:** A altura livre de queda mínima exigida ao cair por uma aresta pode ser calculada com base na distância de segurança ao longo da aresta da sua aplicação de aresta dianteira (consulte a Figura 8). Para calcular a distância de queda a partir da tabela da Figura 8:

1. Selecione o valor mais aproximado da sua distância de segurança (A) nos cabeçalhos à esquerda da linha.
2. Selecione o valor mais aproximado da sua distância ao longo da aresta de trabalho (B) a partir dos cabeçalhos no topo da coluna. As áreas sombreadas sem valores indicam que a distância ao longo da aresta está fora do raio de trabalho seguro para a distância de segurança que selecionou.
3. A distância exigida ao cair por uma aresta (C) será o valor indicado na intersecção da linha selecionada no Passo 1 com a coluna selecionada no Passo 2.
4. Repita os passos anteriores para cada aresta pela qual o trabalhador poderia cair para determinar o posicionamento seguro da ancoragem e o raio de trabalho permitido.

**Definições de Aresta Afiada CE:** Estes dispositivos autorretráteis CE foram testados com êxito para utilização horizontal e para quedas em arestas de aço sem rebarbas. As restrições da distância de segurança apresentadas na Figura 8 devem ser respeitadas. Evite trabalhar em locais onde a corda de segurança poderá raspar, constante ou repetidamente, em arestas aguçadas ou abrasivas. Elimine esses contactos ou proteja as arestas com um bloco pesado ou outros meios. Os tipos de aresta são definidos da seguinte forma:

**VG 11.60 revisão 6:** Foi utilizada para o teste uma extremidade de aço com um raio de  $r=0,5$  mm e sem rebarbas. Devido a este teste, o equipamento pode ser utilizado sobre arestas semelhantes, tal como se pode encontrar em, por exemplo, perfis de aço enrolado, vigas de madeira ou um parapeito arredondado e revestido.

### 3.0 INSTALAÇÃO

- 3.1 PLANEAMENTO:** Planeie o seu sistema de proteção ant queda antes de iniciar o trabalho. Tenha em consideração todos os fatores que possam afetar a sua segurança antes, durante e após uma queda. Tenha em consideração todos os requisitos e limitações definidos neste manual.
- 3.2 ANCORAGEM:** A Figura 9 ilustra as ligações normais de ancoragem de SRD. A ancoragem (A) deve ser diretamente superior para evitar riscos de queda livre e de queda em oscilação (ver Secção 2). Selecione um ponto de ancoragem rígido capaz de sustentar as cargas estáticas definidas na Secção 2.2. O olhal giratório no SRD está equipado com um mosquetão (B). Prender o mosquetão diretamente à estrutura de ancoragem (barra reforçada, cantoneira, etc.), um adaptador para amarração (C), ou ponto de ligação para ancoragem (D).
- 3.3 LIGAÇÃO DO ARNÊS:** É necessário um arnês de corpo inteiro para aplicações ant queda. Prenda o mosquetão (A) da linha de vida SRD à argola em D dorsal traseira (B) do arnês de corpo inteiro. (Consulte a Figura 10). Para situações tais como subida de escadas, pode ser útil prender à argola em D esternal dianteira. Consulte as instruções do fabricante do arnês para obter informações relativas à utilização dos pontos de conexão do arnês.
- 3.4 MONTAGEM DE TRIPÉ:** A figura 11 ilustra a instalação do dispositivo autorretrátil Rebel com manivela manual de resgate num tripé Protecta. O SRD-R é montado numa perna do tripé e a linha da vida é encaminhada através de um sistema de polias na cabeça do tripé. Para mais informações, consulte as instruções incluídas com o seu tripé e suporte de montagem.

### 4.0 UTILIZAÇÃO

*As pessoas que utilizam pela primeira vez ou com pouca frequência os dispositivos autorretráteis Rebel (SRD) devem rever as "Informações de Segurança" no início deste manual antes de utilizarem o SRD.*

- 4.1 ANTES DE CADA UTILIZAÇÃO:** Confirme que a sua área de trabalho e o sistema de proteção contra quedas cumprem todos os critérios definidos nestas instruções. Verifique se há um Plano de resgate formal em vigor. Inspeccione o produto de acordo com os pontos de inspeção do "Utilizador" definidos em "Registo de inspeção e manutenção". Se a inspeção revelar condições perigosas ou defeituosas, ou se surgir alguma dúvida sobre o seu estado para garantir uma utilização segura, retire imediatamente o produto de serviço. Identifique-o claramente com a mensagem "NÃO UTILIZAR". Veja a Secção 5 para mais informações.
- 4.2 APÓS UMA QUEDA:** qualquer equipamento que tenha sido sujeito a forças de detenção de uma queda ou apresentar danos consistentes com o efeito de forças de detenção de queda, conforme descrito na Secção 5, deve ser retirado de imediato de serviço, marcado como "INUTILIZÁVEL" e inspecionado e reparado conforme indicado nas secções 5 e 6.
- 4.3 APOIO CORPORAL:** Ao utilizar um SRD 3M, deve usar um arnês de corpo inteiro. Para utilizações de proteção geral contra quedas, prenda à argola em D (dorsal) traseira. Para situações tais como subida de escadas, pode ser útil prender à argola em D esternal dianteira. Consulte as instruções do fabricante do arnês para obter informações relativas à utilização dos pontos de conexão do arnês.
- 4.4 EFETUAR LIGAÇÕES:** Ao utilizar um gancho para estabelecer uma ligação, certifique-se de que não existe a possibilidade de deslize (consulte a Figura 5). Não utilize ganchos ou conectores que não fechem completamente sobre o objeto de fixação. Não utilize ganchos de engate rápido que não sejam de bloqueio automático. A superfície de montagem deve cumprir os requisitos de resistência de ancoragem indicados na secção 2.2. Siga as instruções do fabricante fornecidas com cada componente de sistema.
- 4.5 FUNCIONAMENTO:** Inspeccione o SRD conforme descrito na Secção 5.0. Ligue o SRD a uma ancoragem ou a um conector de ancoragem apropriado, conforme descrito anteriormente. Ligue o mosquetão de bloqueio automático da extremidade da linha de vida à argola em D dorsal do arnês de corpo inteiro (ver a Figura 10). Certifique-se de que todas as ligações são compatíveis em tamanho, forma e resistência. Certifique-se de que o mosquetão está totalmente fechado e bloqueado. Logo que se encontre ancorado, o trabalhador é livre de se movimentar dentro da área de trabalho recomendada e à velocidade normal. Se o botão de seleção RSQ estiver definido para «Detenção da queda», o SRD irá deter a queda. Se o botão de seleção RSQ estiver definido para «Descida», o SRD irá descer automaticamente o utilizador para um nível inferior quando ocorrer uma queda. Quando trabalhar com um SRD, permita sempre que a corda de segurança recolha para dentro do dispositivo sob controlo. Pode ser necessário um cabo de apoio para esticar ou recolher a linha de vida durante as operações de conexão ou desconexão. Um cabo de apoio pode ser utilizado para impedir a retração descontrolada da linha de vida para dentro do SRD. Consoante o ambiente e as condições do local de trabalho, pode ser necessário prender a extremidade livre do cabo de apoio para impedir interferências e que fique enredado no equipamento ou maquinaria.
- 4.6 OPERAÇÃO DE RESGATE:** A figura 12 ilustra o funcionamento da manivela manual de resgate integrada na SRD-R de resgate Rebel. Não tente proceder ao resgate com a linha de vida totalmente recolhida. Para ativar o modo de Resgate e utilizar a manivela manual de resgate:
1. Puxe a pega de resgate para libertar o braço da manivela.
  2. Rode a pega de resgate do Corpo SRD em 180°.
  3. Puxe e mantenha o Botão da Alavanca na posição desbloqueada.
  4. Empurre o braço da manivela para dentro e liberte a alavanca para encaixar. Se necessário, rode o braço da manivela no sentido dos ponteiros do relógio para facilitar o encaixe da engrenagem.
  5. Suba e baixe a linha de vida conforme ilustrado na Figura 12:
    - A. Para elevar: Rode o braço da manivela no sentido contrário ao dos ponteiros do relógio.
    - B. Para descer: Rode o braço da manivela no sentido contrário ao dos ponteiros do relógio para soltar o travão de detenção da queda e, em seguida, rode-o no sentido dos ponteiros do relógio.

*A manivela manual de resgate integrada nos Modelos de SRD-R de resgate de emergência de 3 vias destina-se apenas a ser utilizado para resgate e não deve ser utilizada para posicionamento no trabalho ou elevação/descida de material.*

*Os SRD-R Rebel não incorporam uma embraiagem de sobrecarga para limitar a força exercida sobre os componentes de acionamento e a pessoa fixa. Deve evitar-se a folga na linha quando em modo de resgate. Além disso, controle o indivíduo durante o resgate para garantir que não é sujeito a força excessiva devido à elevação continuada após ficar preso numa obstrução.*

É necessária uma carga mínima de 33,9 kg (75 lb.) para baixar ou desenrolar a linha de vida. É necessária uma força de 0,13 kN (30 lb.) para operar o sistema de resgate quando carregado até à capacidade máxima.

Pare de rodar quando a linha de vida estiver totalmente esticada ou recolhida. Continuar a girar poderá danificar os componentes.

#### 4.7 DESATIVAR O RESGATE: Para desativar o modo de resgate:

Quando o modo de resgate estiver desativado, qualquer linha de vida estendida será recolhida para dentro do SRD. Para evitar possíveis ferimentos, recolha a linha de vida antes de desativar ou segure a linha de vida.

1. Retire a carga da linha de vida.
2. Puxe e mantenha o Botão da Alavanca na posição desbloqueada.
3. Puxe o Braço da Manivela para a posição de desengate e, em seguida, liberte o Botão da Alavanca.
4. Puxe para fora e rode a pega de resgate 180° em direção ao Corpo SRD para a posição de estiva.

## 5.0 INSPEÇÃO

Após o equipamento ser retirado de serviço, não poderá ser devolvido ao serviço até que seja confirmado por escrito por uma pessoa competente que pode fazê-lo.

- 5.1 FREQUÊNCIA DE INSPEÇÕES:** O produto será inspecionado pelo utilizador antes de cada utilização e, além disso, por uma Pessoa competente, que não seja o utilizador, em intervalos não superiores a um ano. Uma frequência mais alta de uso do equipamento e condições mais severas podem exigir o aumento da frequência das inspeções de pessoa competente. A frequência dessas inspeções deve ser determinada pela pessoa competente de acordo com as condições específicas do local de trabalho.
- 5.2 PROCEDIMENTOS DE INSPEÇÃO:** Inspeccione este produto de acordo com os procedimentos listados na “Registo de inspeção e manutenção”. A documentação de cada inspeção deve ser mantida pelo proprietário deste equipamento. Um registo de inspeção e manutenção deve ser colocado próximo do produto ou ser facilmente acessível aos utilizadores. Recomenda-se que o produto seja identificado com a data da próxima ou da última inspeção.
- 5.3 DEFEITOS:** Se não for possível voltar a colocar o produto em serviço devido a um defeito existente ou estado que não ofereça segurança, o produto deverá ser destruído ou enviado para a 3M ou para um centro de reparação autorizado da 3M para substituição ou reparação.
- 5.4 VIDA DO PRODUTO:** A vida funcional do produto é determinada pelas condições de trabalho e manutenção. Enquanto o produto passar os critérios de inspeção, poderá continuar a ser utilizado.

## 6.0 MANUTENÇÃO, ASSISTÊNCIA E ARMAZENAMENTO

Os equipamentos que precisam de manutenção ou estão programados para manutenção devem ter a etiqueta “NÃO UTILIZAR”. Essas etiquetas de equipamento não devem ser removidas até que a manutenção seja realizada.

- 6.1 LIMPEZA:** Os procedimentos de limpeza para o SRD são os seguintes:
- Limpe periodicamente o exterior do SRD com água e uma solução de sabão suave. Posicione o SRD de tal forma que o excesso de água possa ser drenado. Limpe as etiquetas, conforme necessário.
  - Limpe o cabo de segurança com uma solução de sabão suave e água. Passe por água e deixe secar completamente ao ar. Não aplique calor para acelerar a secagem. Uma acumulação excessiva de sujidade, tinta, etc. poderá impedir a retração total da corda de segurança no invólucro, causando um risco potencial de queda livre. Proceda à substituição do cabo de segurança caso verifique a presença de uma acumulação excessiva.
- 6.2 ASSISTÊNCIA:** Quaisquer procedimentos adicionais de manutenção e assistência deverão ser realizados num centro de assistência técnica autorizado. Não tente desmontar o SRD ou lubrificar quaisquer peças.
- 6.3 ARMAZENAMENTO E TRANSPORTE:** Transporte e armazene o SRD num ambiente seco, fresco e limpo, longe da incidência direta da luz solar. Evite áreas onde possam existir vapores químicos. Inspeccione minuciosamente o SRD após qualquer armazenamento prolongado.

## 7.0 ETIQUETAS

A Figura 19 ilustra as etiquetas nos dispositivos autorretráteis Rebel e as suas localizações. Todas as etiquetas têm que estar presentes no SRD. As etiquetas devem ser substituídas se não forem completamente legíveis. As informações fornecidas em cada etiqueta são as seguintes:

(A)	1) Inspeccione o mosquetão e o indicador de impacto. 2) Inspeccione a ação de travagem do SRD. 3) Ligue a linha de vida SRD à fixação traseira do arnês dorsal. 4) Apenas aplicações verticais. Nunca prenda o SRD abaixo da fixação traseira do arnês dorsal. 4A) Aresta dianteira SRD-LE necessária para o nível de ancoragem com ou abaixo da fixação traseira do arnês dorsal. 4B) Apenas aplicações verticais. Nunca prenda o SRD abaixo da fixação traseira do arnês dorsal. 5) Intervalo de temperaturas -40°C - 60°C 6) Capacidade máxima - 140 kg 7) Controlo da recolha da linha de vida para a SRD. Nunca permita que a linha de vida seja recolhida livremente. 8) Trabalhe diretamente abaixo da ancoragem SRD para minimizar o pêndulo. 9) Não efetue reparações. Este produto tem de ser reparado por um serviço técnico autorizado. 10) Guarde os SRD num ambiente fresco, seco e limpo, afastados da luz solar direta. 11) Não carregue o revestimento de SRD sobre uma extremidade. 12) Não remova as etiquetas. 13) Leia todas as instruções. 14) Identificação de organismo identificado. 15) Mês da próxima inspeção 16) Ano da próxima inspeção 17) Ano e mês de fabrico 18) Número do lote 19) Número do modelo 20) Comprimento da linha de vida 21) Número de série
(B)	Rode o braço da manivela no sentido dos ponteiros do relógio para descer a linha de vida. Rode o braço da manivela no sentido contrário ao dos ponteiros do relógio para subir a linha de vida.
(C)	1) Puxe para fora a pega de resgate. 2) Dobre a pega de resgate do Corpo SRD-R. 3) Puxe a alavanca para fora e segure. 4) Empurre para dentro e rode o braço da manivela ligeiramente no sentido dos ponteiros do relógio. 5) Solte a alavanca.

**Tabela 3 – Registo de inspeções e manutenções**

Número(s) de série:		Data de aquisição:	
Número do modelo:		Data da primeira utilização:	
Inspeccionado por:		Data da inspeção:	
Componente:	Inspeção:	Utilizador	Pessoa competente
SRD (Figura 13)	Tome atenção a parafusos e porcas soltas ou peças dobradas ou danificadas.	<input type="checkbox"/>	<input type="checkbox"/>
	Verifique se existem distorções, fendas ou outros danos no invólucro (A).	<input type="checkbox"/>	<input type="checkbox"/>
	Verifique se existem distorções, fendas ou outros danos no olhal giratório (B). O olhal giratório deve ser fixo corretamente ao SRD, mas deve girar livremente.	<input type="checkbox"/>	<input type="checkbox"/>
	A linha de vida (C) deverá poder esticar e encolher totalmente sem hesitações nem criar condições de folga.	<input type="checkbox"/>	<input type="checkbox"/>
	Certifique-se de que o dispositivo trava quando o cabo de segurança é puxado bruscamente. A travagem deve ser positiva e sem deslizes.	<input type="checkbox"/>	<input type="checkbox"/>
	Todas as etiquetas devem estar presentes e completamente legíveis (ver Figura 19).	<input type="checkbox"/>	<input type="checkbox"/>
	Procure sinais de corrosão em toda a unidade.	<input type="checkbox"/>	<input type="checkbox"/>
Mosquetão giratório e indicador de impacto (Figura 14)	Inspeccione o mosquetão giratório em termos de danos, corrosão e estado de funcionamento. A cabeça giratória deve poder rodar livremente. Inspeccione o indicador de impacto. Se a faixa vermelha estiver visível (modo indicado), ocorreu uma carga de impacto e o SRD tem de ser retirado de serviço e inspeccionado. Não tente reiniciar o indicador de impacto. Envie o SRD para um centro de assistência técnica autorizado para proceder à reposição das configurações. NOTA: A cabeça giratória não girará livremente quando o indicador de impacto estiver no modo indicado.	<input type="checkbox"/>	<input type="checkbox"/>
Corda de segurança com cabo de aço (Figura 15)	Inspeccione o cabo procurando cortes, dobras (A), arames partidos (B) e desfiados (C), resíduos de soldadura, (D) corrosão, áreas com contacto químico ou gravemente deterioradas. Deslize o amortecedor de cabo (E) para cima e inspeccione procurando fendas ou danos nas virolas (F), sinais de corrosão e arames partidos no cabo de aço. Substitua a estrutura da corda de arame se apresentar seis ou mais arames partidos aleatoriamente distribuídos numa camada, ou três ou mais arames partidos na mesma faixa de uma camada. Uma "camada" de cabo de aço é o comprimento de cabo necessário a uma faixa (o grupo alargado de arames) para completar uma volta ou revolução ao longo do cabo. Substitua a estrutura do cabo metálico se apresentar arames partidos em menos de 25 mm (1 pol.) das virolas.	<input type="checkbox"/>	<input type="checkbox"/>
Linha de vida de segurança (Figura 16)	Inspeccione a extensão de saída da linha de vida de reserva. Em caso de travagem de queda em que a corda de segurança já se encontrasse exposta em quase toda a sua extensão, é possível que tenha sido utilizada a corda de segurança de reserva. Puxe a corda de segurança do SRD até este parar. Se estiver visível uma faixa vermelha (G), significa que a linha de vida de reserva foi utilizada e que o dispositivo deve ser enviado para um serviço técnico autorizado antes ser reutilizado.	<input type="checkbox"/>	<input type="checkbox"/>
Amortecedor de energia SRD-LE (Figura 17)	Nos dispositivos autorretráteis com capacidade de borda dianteira (SRD-LE), verifique se o amortecedor de energia integrado foi ativado. Não deve haver tecido puxado para fora da cobertura (A). A cobertura deverá encontrar-se fixa e sem sinais de rasgos (B) ou outros danos.	<input type="checkbox"/>	<input type="checkbox"/>
Manivela manual de resgate integrada (Figura 18)	Verifique se existem distorções ou outros danos no braço da manivela (A). Certifique-se de que a pega de resgate (B) pode ser rodada e fixada na posição de acionamento.	<input type="checkbox"/>	<input type="checkbox"/>
	Certifique-se de que é possível puxar o botão de engate de resgate (C) para a posição de desbloqueio e, em seguida, soltá-lo, bloqueando o braço da manivela em ambas as posições de engate e de desengate.	<input type="checkbox"/>	<input type="checkbox"/>
	Teste a funcionalidade de resgate para um funcionamento adequado, elevando e baixando um peso de teste de pelo menos 34 kg (75 lb.). Quando a pega de resgate é solta, o peso não deve mover-se e a pega deve manter-se em posição (sem qualquer movimento). Deve ouvir-se distintamente um som de "cliques" aquando da elevação da carga.	<input type="checkbox"/>	<input type="checkbox"/>
<b>Ação corretiva/manutenção:</b>	Aprovado por:	Data da próxima inspeção:	
	Data:		
<b>Ação corretiva/manutenção:</b>	Aprovado por:	Data da próxima inspeção:	
	Data:		
<b>Ação corretiva/manutenção:</b>	Aprovado por:	Data da próxima inspeção:	
	Data:		
<b>Ação corretiva/manutenção:</b>	Aprovado por:	Data da próxima inspeção:	
	Data:		
<b>Ação corretiva/manutenção:</b>	Aprovado por:	Data da próxima inspeção:	
	Data:		
<b>Ação corretiva/manutenção:</b>	Aprovado por:	Data da próxima inspeção:	
	Data:		
<b>Ação corretiva/manutenção:</b>	Aprovado por:	Data da próxima inspeção:	
	Data:		

## INFORMAȚII PRIVIND SIGURANȚA

**Înainte de a utiliza acest produs, vă rugăm să citiți, să vă asigurați că ați înțeles și să aplicați toate informațiile privind siguranța care sunt incluse în aceste instrucțiuni. NERESPECTAREA ACESTORA POATE DUCE LA ACCIDENTĂRI GRAVE SAU CHIAI LA DECES.**

**Utilizatorul acestui echipament trebuie să primească aceste instrucțiuni. Păstrați aceste instrucțiuni pentru a le consulta ulterior.**

### Utilizare indicată:

Acest produs este utilizat ca parte dintr-un sistem complet de protecție împotriva căderii.

Utilizarea în orice alt scop, inclusiv, dar fără a se limita la manevrarea materialelor, activități recreaționale sau sportive sau orice alte activități care nu sunt descrise în aceste instrucțiuni, nu este aprobată de 3M și poate duce la accidentări grave sau la deces.

Acest dispozitiv trebuie folosit numai de către utilizatori instruiți pentru activitățile desfășurate la locul de muncă.



### AVERTISMENT

Acest produs este utilizat ca parte dintr-un sistem complet de protecție împotriva căderii. Toți utilizatorii trebuie să fie pe deplin instruiți în ceea ce privește instalarea și manipularea în condiții de siguranță a sistemului lor complet de protecție împotriva căderii. **Utilizarea inadecvată a acestui produs poate duce la accidentări grave sau deces.** Pentru selecție, manipulare, instalare, întreținere și reparații adecvate, consultați toate manualele de instrucțiuni și recomandările producătorului. Pentru mai multe informații, consultați superiorul dvs. ierarhic sau contactați serviciile tehnice 3M.

- **Pentru a reduce riscurile asociate utilizării unui dispozitiv cu rapel automat, care, dacă nu sunt evitate, ar putea duce la accidentări grave sau la deces:**
  - Inspectați produsul înainte de fiecare utilizare și după orice eveniment de cădere, în conformitate cu procedurile specificate în aceste instrucțiuni.
  - Dacă în urma inspecției se constată o stare ce indică nesiguranță sau defecțiuni, scoateți imediat din uz dispozitivul și marcați-l clar cu mențiunea „A NU SE UTILIZA”. Distrugeți sau reparați produsul conform acestor instrucțiuni.
  - Orice dispozitiv care a fost supus forței de oprire a căderii sau de impact trebuie scos imediat din uz. Distrugeți sau reparați produsul conform acestor instrucțiuni.
  - Asigurați-vă că sistemele de protecție împotriva căderii asamblate din componente fabricate de diferiți producători sunt compatibile și îndeplinesc toate reglementările, standardele sau cerințele aplicabile privind protecția împotriva căderii. Consultați-vă întotdeauna cu o persoană competentă sau calificată înainte de a folosi aceste sisteme.
  - Asigurați-vă că linia vieții nu este obstrucționată de niciun pericol, inclusiv, dar fără a se limita la: încurcarea cu utilizatorii, alți lucrători, mașini în mișcare, alte obiecte înconjurătoare sau impactul de la obiectele suspendate care ar putea cădea pe linia vieții sau utilizatori.
  - Nu răsuciți, legați, înnoțați și nu permiteți slăbirea liniei vieții.
  - Evitați pericolul de răsturnare pentru picioarele liniei vieții. Dacă este echipat, atașați orice picioare nefolosite ale liniei vieții la elementele de fixare a corzii.
  - A nu se depăși numărul de utilizatori permiși specificat în aceste instrucțiuni.
  - A nu se utiliza în aplicații care au o cale de cădere obstrucționată. Este necesară o cale liberă pentru blocarea dispozitivului SRD. Este posibil ca lucrul pe materiale cu deplasare lentă (de exemplu, nisipul sau grânele) sau în spații închise ori înghesuite să nu permită acumularea unei viteze suficiente pentru blocarea dispozitivului SRD.
  - Evitați mișcările bruște sau rapide în timpul manipulării, deoarece acest lucru poate cauza blocarea neintenționată a dispozitivului SRD.
  - Instalați, utilizați și mutați produsul cu mare atenție, întrucât componentele în mișcare pot crea potențiale puncte cu pericol de înțepare.
  - Folosiți o protecție adecvată pentru margini atunci când linia vieții poate intra în contact cu margini ascuțite sau cu suprafețe abrazive.
  - Scoateți imediat produsul din uz dacă a fost folosit într-o coborâre.
  - Înainte de utilizare, asigurați-vă că traseul de coborâre și zona de aterizare sunt lipsite de orice obstacole sau pericole.
  - Asigurați-vă că produsul este configurat și instalat corect pentru o funcționare sigură, așa cum este descris în aceste instrucțiuni.
- **Pentru a reduce riscurile asociate lucrului la înălțime care, dacă nu sunt evitate, ar putea genera accidentări grave sau decesul:**
  - Sănătatea și starea fizică trebuie să vă permită să lucrați în siguranță la înălțime și să rezistați la toate forțele asociate unui eveniment de oprire a căderii. Consultați medicul dvs. dacă aveți întrebări despre capacitatea dvs. de a utiliza acest echipament.
  - Nu depășiți niciodată capacitatea permisă a echipamentului dvs. de protecție împotriva căderii.
  - Nu depășiți niciodată distanța maximă de cădere liberă specificată a echipamentului dvs. de protecție împotriva căderii.
  - Nu utilizați niciun echipament de protecție împotriva căderii care nu trece inspecția sau dacă există îngrijorări cu privire la utilizarea sau caracterul de adecvare al echipamentului. Pentru orice întrebări, agresați-vă Serviciului tehnic 3M.
  - Unele combinații de subsisteme și componente pot interfera cu funcționarea acestui echipament. Folosiți numai elemente de conectare compatibile. Contactați Serviciul tehnic 3M înainte de a folosi acest echipament în combinație cu alte componente sau subsisteme decât cele descrise în aceste instrucțiuni.
  - Aplicați măsuri de precauție suplimentare atunci când lucrați în preajma mașinilor aflate în mișcare, în condiții de pericol electric, la temperaturi extreme, în condiții de risc chimic, risc de gaze explozive sau toxice, lângă muchii ascuțite sau sub materiale suspendate care ar putea cădea pe dvs. sau pe echipamentul de protecție împotriva căderii.
  - Asigurați-vă că utilizarea produsului dvs. este evaluată pentru pericolele existente în mediul dvs. de lucru.
  - Atunci când lucrați la înălțime, asigurați-vă că există un interval suficient de siguranță la cădere.
  - Nu modificați și nu transformați niciodată echipamentul dvs. de protecție împotriva căderii. Doar 3M sau persoanele autorizate în scris de către 3M pot efectua reparații la echipamentele 3M.
  - Înainte de a utiliza echipamentul de protecție împotriva căderii, asigurați-vă că este implementat un plan scris de salvare pentru a asigura salvarea promptă în cazul în care apare un incident de cădere.
  - Dacă are loc o cădere, apelați imediat la serviciile de asistență medicală pentru lucrătorul care a căzut.
  - Utilizați numai un ham de siguranță complex pentru aplicații de oprire. Nu folosiți o centură de corp.
  - Reduceți riscul de cădere prin balans lucrând cât mai aproape posibil sub punctul de ancorare.
  - La instrucția pentru acest produs trebuie utilizat un sistem secundar de protecție împotriva căderii. Este interzisă expunerea cursanților la un pericol de cădere neintenționat.
  - Purtați întotdeauna echipament individual adecvat de protecție atunci când instalați, utilizați sau inspectați produsul.
  - Nu lucrați niciodată sub o sarcină sau un muncitor suspendat.
  - Păstrați întotdeauna o protecție completă.

Înainte de utilizarea acestui echipament, înregistrați informațiile de identificare a produsului de pe eticheta de identificare în „Jurnalul de inspecție și întreținere” de la finalul acestui manual.

Asigurați-vă întotdeauna că utilizați cea mai recentă revizuire a manualului de instrucțiuni 3M. Vizitați site-ul web 3M sau contactați serviciile tehnice 3M pentru manuale de instrucțiuni actualizate.



## DESCRIERE:

Figura 2 identifică componentele cheie ale dispozitivelor cu rapel automat Protecta Rebel (SRD). Dispozitivele SRD Rebel sunt corzi metalice de salvare înfășurate pe tambur (A) care se retrag într-o carcasă termoplastică sau din aluminiu (B). Acestea pot atârna de sistemul de ancorare prin intermediul unui cârlig-carabină atașat prin ochetul pivotant (C) pe partea superioară a SRD. Cârligul de prindere autoblocant (D) de la capătul corzii de salvare se atașează la conexiunea specifică de oprire a căderii de pe hamul complet. Bara de protecție (E), protejează împotriva abraziunii și coroziunii cablul de sârmă și inelele de siguranță care fixează cârligul de prindere.

Figura 1 identifică modelele de SRD Rebel prezentate în acest manual de instrucțiuni. Sunt disponibile următoarele tipuri de dispozitive SRD:

- **Dispozitiv cu rapel automat (Figura 2A):** Dispozitivele cu rapel automat (SRD) sunt potrivite pentru aplicații în care coarda de salvare rămâne în general verticală în timpul utilizării și posibila cădere liberă este limitată la 0,6 m (2 ft.).
- **Dispozitiv cu rapel automat cu funcție pentru muchie (Figura 2B):** Dispozitivele cu rapel automat cu funcție pentru muchie (SRD-LE) sunt potrivite pentru aplicații în care coarda de salvare rămâne în general orizontală în timpul utilizării, iar potențiala cădere liberă este limitată la 1,5 m (5 ft.). Dispozitivele SRD-LE dispun de un dispozitiv de absorbție a energiei (F) sau o componentă similară, pentru a rezista la încărcarea prin impact a corzii de salvare peste o margine ascuțită sau abrazivă în timpul opririi căderii și a minimiza forțele de oprire a căderii asupra utilizatorului.
- **Dispozitiv cu rapel automat cu dispozitiv de salvare (Figura 2C):** Dispozitivele cu rapel automat cu dispozitiv de salvare (SRD-R) includ un mijloc încorporat pentru salvarea asistată prin ridicarea sau coborârea persoanei care necesită salvare. Dispozitivele SRD-R sunt echipate cu o manivelă de recuperare de urgență cu 3 căi (G). Unele modele pot include o plăcuță de montare pentru trepied (H) pentru a monta SRD-R pe piciorul unui trepied pentru aplicații în spațiu restrâns.

Tabel 1 – Specificații

		Material		
Jumătăți de carcasă		Material		
9508320 + 9520047		Aluminiu - 15 m (50 ft.) SRD-R		
9511070 + 9511071		Termoplastic - 6 m (20 ft.) SRD 10 m (33 ft.) SRD și 6 m (20 ft.) SRD-LE cu funcție pentru muchie		
9520021 + 9520022		Aluminiu - 6 m (20 ft) și 10 m (33 ft) SRD		
9520044 + 9520045		Termoplastic - 15 m (50 ft.) SRD și 10 m (33 ft.) SRD-LE cu funcție pentru muchie		
9520046 + 9520047		Aluminiu - 15 m (50 ft.) SRD		
9520056 + 9520057		Termoplastic - 20 m (66 ft.), 25 m (82 ft.), 30 m (100 ft.) SRD		
9520058 + 9520059		Aluminiu - 20 m (66 ft.), 25 m (82 ft.) și 30 m (100 ft.) SRD		
		Descriere		Cârlig
Coardă de salvare		Descriere		Cârlig
9501087 + 2000175		Cablul de sârmă din oțel galvanizat de 5,56 mm (7/32 in.), cârlig de prindere rotativ din oțel aliaj autoblocant cu indicator.		2000175
9501479 + 2000175		Cablul de sârmă din oțel zincat de 4,76 mm (3/16 in.), cârlig rotativ din oțel aliaj autoblocant, cu indicator.		2000175
9501613 + 2000170		Cablul de sârmă din oțel inoxidabil de 4,76 mm (3/16 in.), cârlig-carabină pivotant din oțel inoxidabil autoblocant, cu indicator.		2000170
9501613 + 2000175		Cablul de sârmă din oțel inoxidabil de 4,76 mm (3/16 in.), cârlig de prindere pivotant din oțel aliaj autoblocant cu indicator.		2000175
9501613 + 2100044		Cablul de sârmă din oțel inoxidabil de 4,76 mm (3/16 in.), cârlig pivotant din oțel inoxidabil cu indicator.		2100044
Cârlig	Descriere	Material	Rezistență incuietoare	Dimensiunea gâtului
2000170	Cârlig-carabină pivotant autoblocant cu indicator de impact	Oțel inoxidabil	16 kN (3.600 lbf)	1,9 cm (0,75 in.)
2000175	Cârlig de prindere autoblocant pivotant cu indicator de impact	Oțel placat cu zinc	16 kN (3.600 lbf)	1,9 cm (0,75 in.)
2100044	Cârlig de prindere autoblocant pivotant cu indicator de impact	Oțel inoxidabil	16 kN (3.600 lbf)	1,9 cm (0,75 in.)



Tabel 1 – Specificații

<b>Rezistența la întindere a corzii de salvare:</b>	9501479 - 4,76 mm (3/16 in.) dia. oțel galvanizat Min. Rezistența la întindere 18,7 kN (4.200 lbf) 9501613 - 4,76 mm (3/16 in.) Dia. Oțel inoxidabil Min. Rezistența la întindere 16,0 kN (3.600 lbf) 9501087 - 5,55 mm (7/32 in.) dia. oțel galvanizat Min. Rezistența la întindere 24,9 kN (5.600 lbf)
<b>Sarcina maximă de ridicare SRD-R:</b>	135 kg (298 lb.)
<b>Forța de ancorare</b>	12 kN (2,697 lbf)

Specificații SRD	Modele CE (EN 360)
<b>Interval capacitate:</b>	59 kg - 140 kg (130 lb. - 310 lb)
<b>Forța maximă de oprire:</b>	6 kN (1.350 lb)
<b>Forța medie de oprire:</b>	4,0 kN (900 lbf)
<b>Distanța maximă de oprire:</b> <i>*Presupune că dispozitivul SRD este montat direct deasupra utilizatorului.</i>	1,1 m (42 in.)
<b>Intervalul minim de siguranță necesar la cădere:</b> <i>*Presupune că dispozitivul SRD este montat direct deasupra utilizatorului.</i>	1,8 m (6 ft)
<b>Cădere liberă maximă:</b> <i>*SRD trebuie să fie montat deasupra inelului D al utilizatorului.</i>	0,6 m (2 ft)

Specificații SRD-LE	Modele CE (EN 360 + CNB / P / 11.060)
<b>Interval capacitate:</b>	59 kg - 140 kg (130 lb. - 310 lb)
<b>Forța maximă de oprire:</b>	6 kN (1.350 lb)
<b>Forța medie de oprire:</b>	4 kN (900 lbf)
<b>Distanța maximă de oprire:</b> <i>*Presupune că dispozitivul SRD este montat direct deasupra utilizatorului.</i>	1,1 m (42 in.)
<b>Intervalul minim de siguranță necesar la cădere:</b>	Vertical: 1,8 m (6 ft.) Orizontală: 5,03 m (16,5 ft.)
<b>Cădere liberă maximă:</b> <i>*SRD trebuie să fie montat deasupra inelului D al utilizatorului.</i>	0,6 m (2 ft)
<b>Cădere liberă maximă - LE:</b> <i>*Măsurată de la inelul D al utilizatorului la suprafața de lucru.</i>	1,5 m (5 ft)

## 1.0 UTILIZĂRI

- 1.1 SCOP:** Dispozitivele Dispozitiv cu rapel automat (SRD) 3M sunt concepute pentru a face parte dintr-un sistem individual de oprire a căderilor (PFAS). Figura 1 ilustrează SRD-urile care constituie subiectul acestui manual de instrucțiuni și întrebuințările lor tipice. Acestea pot fi folosite în majoritatea situațiilor în care este necesară o combinație între mobilitatea lucrătorului și protecția împotriva căderilor (de exemplu: lucrări de inspecție, construcții generale, lucrări de întreținere, producția de petrol, lucrul în spații închise etc.).
- 1.2 STANDARDE:** Dispozitivul dvs. SRD respectă standardele naționale și regionale identificate pe coperta față a acestor instrucțiuni. Dacă acest produs este revândut în afara țării inițiale de destinație, distribuitorul trebuie să pună la dispoziție aceste instrucțiuni în limba țării în care se va utiliza produsul.
- 1.3 FORMARE:** Acest echipament poate fi utilizat de persoane instruite în ceea ce privește aplicabilitatea și utilizarea corecte. Utilizatorul este responsabil să se asigure că este familiarizat cu aceste instrucțiuni și că este instruit cu privire la întreținerea și utilizarea corespunzătoare a acestui echipament. Utilizatorii trebuie să cunoască limitele de aplicabilitate, caracteristicile de funcționare și consecințele utilizării incorecte a acestui echipament.
- 1.4 LIMITĂRI:** Întotdeauna luați în considerare următoarele limite și cerințe atunci când instalați sau utilizați acest echipament:

- **Capacitate:** Conformitatea acestui SRD a fost testată pentru utilizarea de către o persoană cu o greutate combinată (îmbrăcăminte, uneltele etc.) între 130 lb (59 kg) și 310 lb (140 kg).<sup>1</sup> Asigurați-vă că toate componentele sistemului dumneavoastră sunt evaluate la o capacitate nominală corespunzătoare întrebuințării dumneavoastră.
- **Ancorare:** Cerințele de ancorare diferă în funcție de utilizarea sistemului de protecție anticădere. Structura pe care este amplasat sau montat conectorul de ancorare trebuie să respecte specificațiile de ancorare stabilite în Tabelul 1.
- **Viteza de blocare:** Se vor evita situațiile care nu permit o cale de cădere neobstrucționată. Lucrul în spații închise sau înghesuite nu permite atingerea unei viteze suficiente pentru a asigura blocarea SRD în cazul producerii unei căderi. Este posibil ca lucrul pe materiale cu deplasare lentă, cum ar fi nisipul sau grânele, să nu permită acumularea unei viteze suficiente pentru blocarea dispozitivului SRD. Este nevoie de o cale liberă pentru a asigura blocarea pozitivă a dispozitivului SRD.
- **Cădere liberă:** Utilizarea corectă a unui SRD în lucrările ce necesită suspendare va reduce distanța de cădere liberă. Pentru a preveni o distanță de cădere liberă crescută, urmați instrucțiunile de mai jos:
  - Nu prindeți, nu înnoțați și nu împiedicați niciodată retractarea sau întinderea liniei vieții.
  - Evitați orice slăbire a liniei vieții a SRD.
  - Nu lucrați deasupra nivelului de ancorare.
  - Nu prelungiți dispozitivele SRD legând o coardă sau o componentă similară fără să consultați 3M.

Pentru informații specifice produsului referitoare la valorile pentru căderea liberă și intervalul de siguranță la cădere, consultați Tabelul 1 din acest manual de instrucțiuni.

- **Căderi prin balans:** Căderile prin balans au loc atunci când punctul de ancorare nu este situat exact deasupra locului în care are loc căderea. Forța de lovire a unui obiect într-o cădere prin balans poate provoca vătămări grave (consultați Figura 3A). Reduceți riscul de cădere prin balans lucrând cât mai aproape posibil sub punctul de ancorare (Figura 3B). Lucrul la distanță de punctul de ancorare (Figura 3C) va crește impactul unei căderi prin balans și va crește valoarea intervalului de siguranță la cădere (FC) necesar.
- **Interval de siguranță la cădere:** Figura 3B ilustrează modalitatea de calculare a intervalului de siguranță la cădere. Intervalul de siguranță la cădere (FC) este suma dintre căderea liberă (FF), distanța de decelerare (DD) și factorul de siguranță (SF):  $FC = FF + DD + SF$ . Glisarea inelului D și întinderea hamului utilitar sunt incluse în factorul de siguranță. Valorile pentru intervalul de siguranță la cădere au fost calculate și sunt reprezentate în Figura 4. Pentru toate valorile din Figura 4 a fost utilizat un factor de siguranță de 1 m (3,28 ft).  
Figurile 3B și 3C ilustrează intervalul de siguranță la cădere. Pentru căderile dintr-o poziție în picioare în care SRD este ancorat direct deasupra capului (Figura 3B), sistemele de oprire a căderilor SRD trebuie să dispună de intervalele de siguranță la cădere minime specificate în Tabelul 1. Căderile dintr-o poziție îngenunchiată sau ghemuită vor necesita un interval de siguranță la cădere suplimentar de 1 m (3 ft). În situația unei căderi prin balans (Figura 3C), distanța verticală totală de cădere va fi mai mare decât dacă utilizatorul ar fi căzut direct sub punctul de ancorare și poate necesita un interval de siguranță la cădere suplimentar. Figura 4 și tabelul aferent definesc raza maximă de lucru (C) pentru diferite înălțimi de ancorare SRD (A) și intervale de siguranță la cădere (B). Zona de lucru recomandată este limitată la zona situată pe raza maximă de lucru.
- **Pericole:** utilizarea acestui echipament în zone în care există pericole poate impune măsuri de precauție suplimentare pentru a reduce riscul de accidentare a utilizatorului sau de afectare a echipamentului. Pericolele pot include, fără limitare: temperaturi ridicate, substanțe chimice caustice, medii corozive, cabluri electrice de înaltă tensiune, gaze explozive sau toxice, utilaje mobile sau materiale suspendate care pot cădea sau atinge utilizatorul ori sistemul de oprire a căderii. Evitați lucrul în condițiile în care linia vieții s-ar putea intersecta sau încurca cu cea a unui alt lucrător. Evitați lucrul în situația în care un obiect ar putea cădea sau lovi linia vieții, având ca rezultat pierderea echilibrului sau deteriorarea acesteia. Nu permiteți trecerea liniei vieții pe sub brațe sau printre picioare.
- **Muchii ascuțiți:** Evitați utilizarea în cazul în care linia vieții poate intra în contact sau se poate freca de muchii ascuțiți neprotejate. În cazul în care contactul cu o muchie ascuțită nu poate fi evitat, acoperiți respectiva muchie cu un material de protecție.

<sup>1</sup> **Capacitate:** În timp ce SRD-urile CE au o capacitate maximă de 140 kg (310 lb), SRD-urile cu sistem cu opritor retractabil anti-căderi sunt testate pentru o sarcină maximă de ridicare de 135 kg (298 lb).

## 2.0 UTILIZARE

- 2.1 PLAN DE SALVARE:** Atunci când se utilizează acest echipament, angajatorul trebuie să dețină un plan de salvare și să aibă la îndemână mijloace pentru implementarea și comunicarea planului respectiv utilizatorilor, persoanelor autorizate și salvatorilor.
- 2.2 FRECVENȚA DE INSPECȚARE:** dispozitivele SRD vor fi inspectate de către persoana autorizată<sup>1</sup> sau un salvator<sup>2</sup> înaintea fiecărei utilizări (Consultați Tabelul 2). În plus, se vor realiza și inspecții de către o persoană competentă<sup>3</sup> alta decât utilizatorul la intervale nu mai mari de un an. Condițiile de lucru extreme (mediu de lucru dificil, utilizare îndelungată etc.) pot impune sporirea frecvenței inspecțiilor realizate de către o persoană competentă. Procedurile de inspecție sunt descrise în „*Jurnalul de inspecție și întreținere*” (Tabelul 3). Rezultatele inspecției realizate de persoana competentă trebuie înregistrate în „*Jurnalul de inspecții și întreținere*” sau înregistrate cu ajutorul sistemului de identificare prin frecvență radio.
- 2.3 FUNCȚIONAREA NORMALĂ:** funcționarea normală va permite liniei vieții să se extindă și să se retragă fără ezitare și fără să se slăbească pe măsură ce lucrătorul se deplasează cu o viteză normală. Dacă are loc o cădere, se va activa un sistem de frânare cu detectarea vitezei, oprind căderea și amortizând mult din energia creată. Mișcările bruște sau rapide trebuie evitate în timpul unei operațiuni de lucru normale, deoarece acest lucru poate conduce la blocarea dispozitivului SRD. Pentru căderile care au loc spre finalul cursei liniei vieții, a fost încorporat un sistem de rezervă sau un amortizor de șoc pentru a reduce forța de oprire a căderilor. Dacă SRD a fost supus unor forțe de oprire a căderilor: scoateți-l din uz, marcați sau etichetați ca „INUTILIZABIL”, inspectați și reparați, conform instrucțiunilor din secțiunile 5 și 6.
- 2.4 SUSȚINEREA CORPULUI:** trebuie folosit un ham utilitar complet împreună cu Dispozitiv cu rapel automat. Punctul de prindere al hamului utilitar trebuie să fie poziționat deasupra centrului de greutate al utilizatorului. Nu este permisă utilizarea unei centuri pentru corp împreună cu Dispozitiv cu rapel automat. În cazul producerii unei căderi în timpul utilizării unei centuri de corp, se poate produce o desprindere accidentală sau o traumă fizică din cauza susținerii incorecte a corpului.
- 2.5 COMPATIBILITATEA COMPONENTELOR:** dacă nu se specifică altfel, echipamentul 3M este conceput pentru a fi utilizat exclusiv împreună cu subsisteme și componente 3M aprobate. Substituirile sau înlocuirile realizate cu subsisteme sau componente neaprobate pot afecta compatibilitatea echipamentului și siguranța și fiabilitatea întregului sistem. Urmați instrucțiunile producătorului pentru componente și subsisteme din sistemul dvs. de oprire a căderilor:
- 2.6 COMPATIBILITATEA ELEMENTELOR DE PRINDERE:** Conectorii sunt considerați compatibili cu elementele de conectare atunci când aceștia au fost concepuți să funcționeze împreună, astfel încât dimensiunile și formele lor să nu determine deschiderea accidentală a mecanismelor de închidere ale acestora, indiferent de modul în care vor ajunge să fie orientate. Contactați 3M dacă aveți întrebări cu privire la compatibilitate.
- Conectorii utilizați pentru suspendarea SRD trebuie să respecte EN362. Conectorii trebuie să fie compatibili cu elementul de ancorare sau cu alte componente ale sistemului. Nu utilizați echipamente care nu sunt compatibile. Conectorii incompatibili se pot desprinde în mod accidental (consultați Figura 5). Conectorii trebuie să fie compatibili ca dimensiune, formă și rezistență. Sunt necesare inele de siguranță și carabine auto-blocante. Dacă elementul de conectare, de care este prins un cârlig sau o carabină, este subdimensionat sau cu formă neregulată, poate apărea o situație în care elementul de conectare aplică o forță asupra închizătorii cârligului sau a carabinei (A). Această forță poate conduce la deschiderea închizătorii (B), permițând inelului de siguranță cu cârlig sau carabinei să se desprindă din punctul de conectare (C).
- 2.7 EFECTUAREA CONEXIUNILOR:** Cârligele și carabinele utilizate cu acest echipament trebuie să fie auto-blocante. Asigurați-vă că toate elementele de conectare sunt compatibile ca dimensiune, formă și rezistență. Nu utilizați echipamente care nu sunt compatibile. Asigurați-vă că toți conectorii sunt complet închiși și blocați. Conectorii 3M (cârligele și carabinele) sunt concepuți pentru a fi utilizați numai în conformitate cu instrucțiunile de utilizare specificate pentru fiecare produs. Consultați Figura 6 pentru exemple de conectori neadecvați. Nu conectați cârligele și carabinele:
- La un inel D la care este conectat un alt conector;
  - Într-un mod care ar putea determina o sarcină pe închizător. Cârligele cu gât larg nu vor fi conectate la inele D de dimensiune standard sau obiecte similare care ar determina o sarcină pe închizător în cazul rotirii sau răsucirii cârligului sau a inelului D; cu excepția cazului în care cârligul este dotat cu un închizător de 3.600 lb (16 kN). Verificați marcajul de pe cârlig pentru a vedea dacă este corespunzător utilizării dvs.
  - Într-o cuplare falsă, în care elementele care ies în afara cârligului sau a carabinei agață punctele de ancorare și fără confirmare vizuală, aceasta părând să fie perfect cuplată în punctul de ancorare.
  - Între ele;
  - Direct de sistemul de chingi sau de coarda din frânghie sau de tirant (cu excepția cazului în care instrucțiunile producătorului permit în mod specific o astfel de conectare atât pentru coardă, cât și pentru conector);
  - De orice obiect care are o formă sau o dimensiune de așa natură încât cârligul sau carabina să nu se blocheze în poziția închis sau să existe posibilitatea de ieșire;
  - Într-o modalitate care nu permite conectorului să se alinieze în mod corect în timp ce este sub sarcină.

Tabel 2 – Program de inspecție

Tip de utilizare	Exemple de aplicații	Condiții de utilizare	Frecvența inspecțiilor
			Persoană competentă
Între utilizare rară și condiții nesolicitanțe	Salvare și spații închise, întreținere în fabrică	Condiții de depozitare corespunzătoare, utilizare rară în interior sau în exterior, la temperatura camerei, mediu curat	Anual
Între utilizare moderată și condiții solicitante	Transport, construcții rezidențiale, servicii publice, depozit	Condiții de depozitare corecte, utilizare prelungită în interior sau în exterior, toate temperaturile, medii curate sau cu praf	Între semestrial și anual
Între condiții severe și utilizare continuu	Construcții comerciale, petrol și gaze, minerit	Condiții de depozitare dure, utilizare prelungită sau continuă în exterior, toate temperaturile, mediu murdar	Între trimestrial și bianual

**1 Persoană autorizată:** O persoană desemnată de angajator pentru efectuarea atribuțiilor sale într-un loc în care persoana va fi expusă unui pericol de cădere.

**2 Salvator:** Persoana sau persoanele, altele decât subiectul operațiunii de salvare, care efectuează o salvare asistată cu ajutorul unui sistem de salvare.

**3 Persoană competentă:** O persoană desemnată de angajator să fie responsabilă de supravegherea imediată, implementarea și monitorizarea programului de protecție împotriva căderilor gestionat de angajator care, prin formare și acumularea de cunoștințe, este capabilă să identifice, să evalueze și să soluționeze pericolele de cădere existente și potențiale, și care este autorizată de angajator să ia măsuri corective imediate în privința pericolelor respective.

**2.8**

**DISPOZITIVE CU RAPEL AUTOMAT CU FUNCȚIE PENTRU MUCHIE (SRD-LE):** Dispozitivele SRD care fac subiectul acestui manual de instrucțiuni includ dispozitive cu rapel automat cu capacitate Leading Edge (muchie - SRD-LE). Consultați Figura 1 pentru modele SRD-LE specifice. Dispozitivele SRD-LE au fost testate pentru utilizare orizontală și căderi peste o muchie de oțel fără bavuri. Dispozitivele SRD-LE pot fi utilizate în situații în care poate surveni o cădere peste margini de oțel, cum ar fi peste obiecte din oțel sau table de metal.

**Măsuri de precauție pentru muchii:** Respectați următoarele precauții atunci când utilizați dispozitive SRD-LE:

- Unghiul admis de redirecționare a porțiunii corzii de salvare a SRD-LE la marginea peste care ar putea surveni o cădere (măsurată între cele două părți formate de coarda de salvare redirecționată) trebuie să fie de cel puțin 90 de grade (a se vedea Figura 7).
- Punctul de ancorare trebuie să fie amplasat la aceeași înălțime cu marginea de la care se poate produce căderea sau deasupra acesteia. Punctele de ancorare sub margine sunt periculoase, deoarece determină redirecționarea corzii de salvare la un unghi sub 90 de grade (a se vedea Figura 7).
- Consultați secțiunea 1 pentru limitări ale zonei de lucru permise în raport cu punctul de ancorare, inclusiv factori precum căderea prin balans și abraziunea pe coardă la contactul cu muchia și utilizarea unui singur punct de ancorare față de sisteme de ancorare care permit mișcarea orizontală (de exemplu, coardă de salvare orizontală sau șină orizontală).
- Dispozitivele SRD-LE pot fi utilizate cu o coardă de salvare orizontală sau o șină orizontală numai conform indicațiilor din instrucțiunile produsului pentru coarda de salvare orizontală sau șina orizontală.
- Nu lucrați pe partea îndepărtată a unei deschideri opuse punctului de ancorare SRD-LE.
- În cazul unei căderi peste muchie, pot fi necesare măsuri speciale de salvare.
- Când vă planificați aplicația pentru muchie, asigurați-vă că parametrii zonei de lucru se încadrează în Distanța minimă de retragere, Distanța maximă de cădere liberă și Intervalul minim de siguranță necesar la căderea peste o muchie, așa cum este indicat pe eticheta SRD-LE.

**Calculul intervalului de siguranță la cădere necesar în cazul muchiei:** Intervalul minim de siguranță necesar la căderea peste o muchie poate fi calculat pe baza distanței de retragere și a distanței de-a lungul muchiei aplicației dvs. cu muchie (consultați Figura 8). Pentru a calcula Intervalul de siguranță la cădere din tabelul din Figura 8:

1. Selectați valoarea cea mai apropiată de distanța de retragere (A) din titlurile de rând din partea stângă.
2. Selectați valoarea cea mai apropiată de Distanța de lucru de-a lungul muchiei (B) din anteturile coloanei de sus. Zonele umbrite fără valori indică Distanța de-a lungul muchiei în afara razei de lucru în condiții de siguranță pentru distanța de retragere selectată.
3. Intervalul necesar la căderea peste o muchie (C) va fi valoarea de la intersecția rândului selectat la pasul 1 cu coloana selectată la pasul 2.
4. Repetați pașii anteriori pentru fiecare muchie peste care muncitorul ar putea cădea pentru a determina amplasarea sigură a sistemului de ancorare și raza de lucru admisibilă.

**Definiții CE pentru muchie ascuțită:** Aceste dispozitive cu rapel automat CE au fost testate cu succes pentru utilizare pe orizontală și pentru căderi peste o muchie de oțel fără bavuri. Trebuie respectate restricțiile privind distanța de retragere prezentate în Figura 8. Evitați să lucrați în locuri în care coarda de salvare va suferi frecare continuă sau repetată în contact cu muchii ascuțite sau abrazive. Eliminați acest contact sau protejați muchiile folosind o plăcuță solidă sau alte mijloace. Tipurile de muchii sunt definite după cum urmează:

**Definiție muchie tip A conform VG 11.60 VG 11.60 ediția 6:** Pentru test s-a utilizat o muchie de oțel cu  $r = 0,5$  mm, fără bavuri. După testare, echipamentul poate fi utilizat peste muchii similare, așa cum pot exista pe profilele laminate din oțel, grinzile de lemn sau parapete placate sau rotunjite.

### 3.0 INSTALARE

- 3.1 PLANIFICARE:** Planificați-vă sistemul de protecție împotriva căderilor înainte de a începe activitatea. Luați în considerare toți factorii care vă pot afecta siguranța înainte, în timpul și după o cădere. Țineți cont de toate cerințele și limitările stabilite în acest manual.
- 3.2 ANCORARE:** Figura 9 ilustrează conexiunile tipice de ancorare pentru dispozitivele cu rapel automat. Sistemul de ancorare (A) trebuie să fie direct deasupra capului pentru a minimiza pericolele de cădere liberă și cădere prin balans (consultați secțiunea 2). Selectați un punct de ancorare rigid care să poată susține sarcinile statice stabilite în Secțiunea 2.2. Ochetul pivotant de pe dispozitivul SRD este echipat cu un cârlig-carabină (B). Atașați cârligul-carabină direct pe structura de ancorare (armătură, cornieră etc.), un adaptor de fixare (C) sau un punct de conexiune de ancorare (D).
- 3.3 CONEXIUNE HAM:** Pentru aplicațiile de oprire a căderii este necesar ham complet. Conectați cârligul de prindere (A) de pe coarda de salvare a SRD la inelul D dorsal (B) de pe hamul de siguranță complet. (consultați Figura 10). Pentru situații precum urcarea scârilor, poate fi util să conectați la inelul D frontal din dreptul sternului. Consultați instrucțiunile producătorului hamului pentru detalii privind utilizarea punctelor de conectare a hamului.
- 3.4 MONTAREA PE TREPIED:** Figura 11 ilustrează instalarea dispozitivului cu rapel automat Rebel cu manivelă de recuperare pe un trepied Protecta. SRD-R este montat pe un picior al trepiedului, iar coarda de salvare este ghidată printr-un sistem cu fulie pe capul trepiedului. Pentru detalii, consultați instrucțiunile furnizate cu trepiedul și consola de montare.

### 4.0 UTILIZARE

*Utilizatorii începători sau utilizatorii ocazionali ai dispozitivelor cu rapel automat trebuie să verifice „Informațiile de siguranță” de la începutul acestui manual înainte de utilizarea dispozitivelor cu rapel automat.*

- 4.1 ÎNAINTE DE FIECARE UTILIZARE:** Verificați dacă zona de lucru și sistemul de protecție împotriva căderii îndeplinesc toate criteriile definite în aceste instrucțiuni. Verificați dacă există în vigoare un plan oficial de salvare. Efectuați inspecția produsului conform punctelor de inspecție pentru „Utilizator” stabilite în „Jurnalul de inspecție și întreținere”. În cazul în care inspecția relevă o stare de nesiguranță sau defectuoasă sau dacă apare orice îndoială cu privire la starea de utilizare în siguranță, încetați imediat utilizarea produsului. Etichetați-l clar „NU UTILIZAȚI”. Consultați Secțiunea 5 pentru mai multe informații.
- 4.2 DUPĂ O CĂDERE:** Orice echipament care a fost supus forțelor de oprire a unei căderi sau care prezintă daune ca urmare a efectului forțelor de oprire a căderii, așa cum se descrie în secțiunea 5, trebuie scos din uz imediat, marcat ca „INUTILIZABIL” și inspectat și întreținut conform instrucțiunilor din Secțiunile 5 și 6.
- 4.3 SUPORT PENTRU CORP:** În timpul utilizării dispozitivelor SRD 3M trebuie utilizat un ham complet. Pentru utilizarea generală pentru protecție împotriva căderii, conectați la inelul D dorsal. Pentru situații precum urcarea scârilor, poate fi util să conectați la inelul D frontal din dreptul sternului. Consultați instrucțiunile producătorului hamului pentru detalii privind utilizarea punctelor de conectare a hamului.
- 4.4 REALIZAREA CONEXIUNILOR:** Atunci când utilizați un cârlig pentru a efectua conexiunea, asigurați-vă că acesta nu iese din obiectul de prindere (consultați Figura 5). Nu utilizați cârlige de prindere sau conectori care nu se vor închide complet peste obiectul de prindere. Nu utilizați cârlige de prindere care nu se blochează. Suprafața de montare trebuie să îndeplinească cerințele de rezistență pentru ancorare descrise în Secțiunea 2,2. Urmați instrucțiunile producătorului furnizate cu fiecare componentă a sistemului.
- 4.5 UTILIZARE:** Inspectați dispozitivul SRD așa cum este descris în secțiunea 5.0. Conectați dispozitivul SRD la o ancoră sau la un conector de ancorare adecvat/ă așa cum s-a descris anterior. Conectați cârligul de prindere autoblocant de la capătul corzii de salvare la inelul D dorsal de pe hamul de siguranță complet (consultați Figura 10). Asigurați-vă că elementele de conectare sunt compatibile ca dimensiune, formă și rezistență. Asigurați-vă că cârligele sunt complet închise și blocate. Odată atașat, lucrătorul este liber să se miște în zona de lucru recomandată, cu viteză normală. Dacă butonul de selecție RSQ este setat la „Fall Arrest” (oprirea căderii), dispozitivul SRD va opri căderea. Dacă butonul de selecție RSQ este setat la „Descent” (Coborâre), dispozitivul SRD va coborî automat utilizatorul la un nivel inferior atunci când are loc o cădere. Când lucrați cu un dispozitiv cu rapel automat, permiteți întotdeauna retragerea corzii de salvare în dispozitiv, ținând-o sub control. Poate fi necesar un cablu de stabilizare pentru a extinde sau retrage coarda de salvare în timpul operațiilor de conectare și deconectare. Cablul de stabilizare poate fi utilizat pentru a preveni retragerea necontrolată a corzii de salvare în dispozitivul SRD. În funcție de mediul și condițiile locului de muncă, poate fi necesară fixarea capătului liber al cablului de stabilizare pentru a preveni interferențele și încurcarea cu echipamente sau utilaje.
- 4.6 OPERAȚIUNEA DE RECUPERARE:** Figura 12 ilustrează funcționarea manivelei de salvare integrate de pe dispozitivul de recuperare SRD-R Rebel. Nu încercați să efectuați recuperarea cu coarda de salvare complet retrasă. Pentru a activa modul de recuperare și a utiliza manivela de salvare:
1. Trageți de mânerul de recuperare pentru a elibera brațul manivelei.
  2. Rotiți la 180 ° mânerul de recuperare din corpul dispozitivului SRD.
  3. Trageți și țineți butonul Shift (comutare) în poziție deblocată.
  4. Împingeți brațul cu manivelă și eliberați butonul Shift pentru a cupla. Dacă este necesar, rotiți manivela în sensul acelor de ceasornic pentru a ajuta la cuplarea angrenajului.
  5. Ridicați și coborâți coarda de salvare conform indicațiilor din Figura 12:
    - A. Pentru a ridica: Rotiți manivela în sens invers acelor de ceasornic.
    - B. Pentru a coborî: Rotiți brațul manivelei ușor în sens invers acelor de ceasornic pentru a elibera frâna de oprire a căderii, apoi rotiți manivela în sensul acelor de ceasornic.

*Manivela de salvare integrată de pe modelele SRD-R de recuperare de urgență cu 3 căi este doar pentru scopuri de salvare și nu trebuie folosită pentru poziționarea la locul de muncă sau ridicarea / coborârea materialului.*

*Dispozitivele SRD Rebel nu includ ambreiaj de suprasarcină pentru a limita forța exercitată asupra componentelor de antrenare și asupra persoanei atașate. Evitați slăbirea corzii în modul Recuperare. De asemenea, monitorizați persoana în timpul recuperării pentru a vă asigura că nu este supusă unei forțe excesive din cauza ridicării continue după prinderea într-un obstacol.*

Este necesară o sarcină minimă de 33,9 kg (75 lb.) pentru a coborî sau derula coarda de salvare. Este necesară o forță de 0,13 kN (30 lb.) pentru a opera sistemul de recuperare atunci când este încărcat la capacitatea maximă.

Opreți manevrarea în cazul în care coarda de salvare este complet extinsă sau retrasă. Manevrarea continuă poate deteriora componentele.

**4.7 DECUPLAREA RECUPERĂRII:** Pentru a dezactiva modul de recuperare:

Când modul de recuperare este dezactivat, coarda de salvare extinsă se va retrage în dispozitivul SRD. Pentru a evita potențialele vătămări, retrageți coarda de salvare înainte de decuplare sau țineți coarda de salvare.

1. Îndepărtați orice sarcină de pe coarda de salvare.
2. Trageți și țineți butonul Shift (comutare) în poziție deblocată.
3. Trageți brațul manivelei pentru a se decupla și apoi eliberați butonul de comutare.
4. Trageți și rotiți mânerul de recuperare la 180 ° spre corpul dispozitivului SRD în poziția de depozitare.

## 5.0 INSPECȚIE

După ce echipamentul a fost scos din uz, acesta nu poate fi repus în funcțiune înainte ca o persoană calificată să confirme în scris că acest lucru este posibil.

**5.1 FRECVENȚA INSPECȚIILOR:** Produsul trebuie să fie inspectat de către utilizator înainte de fiecare utilizare și, suplimentar, de către o persoană calificată, alta decât utilizatorul, la intervale care să nu depășească un an. O frecvență mai mare de utilizare a echipamentului și condiții mai dificile pot necesita creșterea frecvenței inspecțiilor de efectuat de către persoana calificată. Frecvența acestor inspecții trebuie să fie determinată de persoana calificată, în funcție de condițiile specifice ale șantierului.

**5.2 PROCEDURI DE INSPECȚIE:** Inspectați acest produs conform procedurilor enumerate în „Jurnalul de inspecție și întreținere”. Documentația fiecărei inspecții trebuie păstrată de proprietarul acestui echipament. Jurnalul de inspecție și întreținere trebuie să fie disponibil lângă produs sau să fie oricum ușor accesibil utilizatorilor. Se recomandă ca produsul să fie marcat cu data următoarei sau ultimei inspecții.

**5.3 DEFECTE:** Dacă produsul nu poate fi repus în uz din cauza unui defect sau a unei stări de nesiguranță, atunci produsul trebuie fie distrus, fie trimis la 3M sau la un service autorizat 3M în vederea reparării.

**5.4 DURATA DE VIAȚĂ A PRODUSULUI:** Durata de funcționare a produsului este determinată de condițiile de lucru și de starea de întreținere. Atât timp cât produsul îndeplinește criteriile de inspecție, acesta poate rămâne în uz.

## 6.0 ÎNTREȚINERE, SERVICE ȘI DEPOZITARE

Echipamentele care necesită întreținere sau care sunt programate pentru întreținere trebuie să fie etichetate „NU UTILIZAȚI”. Aceste etichete ale echipamentului nu trebuie îndepărtate până la efectuarea lucrărilor de întreținere.

**6.1 CURĂȚARE:** Procedurile de curățare pentru dispozitivul cu rapel automat sunt după cum urmează:

- Curățați periodic exteriorul dispozitivului SRD cu soluție de apă și săpun delicat. Poziționați dispozitivul cu rapel automat astfel încât apa în exces să se scurgă. Curățați etichetele conform cerințelor.
- Curățați coarda de salvare cu soluție de apă și săpun delicat. Clătiți și uscați bine la aer. Nu forțați uscarea cu căldură. Depunerile excesive de murdărie, vopsea etc. pot împiedica retragerea completă a corzii de salvare înapoi în carcasă, provocând un risc potențial de cădere liberă. Înlocuiți coarda de salvare dacă există depuneri excesive.

**6.2 SERVICE:** Procedurile suplimentare de întreținere și reparații trebuie efectuate de către un centru de service autorizat. Nu încercați să demontați dispozitivul SRD sau să lubrifiați componentele acestuia.

**6.3 DEPOZITARE ȘI TRANSPORT:** Depozitați și transportați dispozitivul cu rapel automat într-un mediu răcoros, uscat și curat, ferit de lumina directă a soarelui. Evitați zonele în care pot exista vapori de substanțe chimice. Inspectați cu atenție dispozitivele cu rapel automat după o perioadă prelungită de depozitare.

## 7.0 ETICHETE

Figura 19 ilustrează etichetele de pe dispozitivele cu rapel automat și locațiile lor. Toate etichetele trebuie să fie prezente pe dispozitivele cu rapel automat. Etichetele trebuie înlocuite dacă nu sunt complet lizibile. Informațiile de pe fiecare etichetă sunt următoarele:

(A)	1) Inspectați cârligul de prindere și indicatorul de impact. 2) Inspectați acțiunea de blocare a dispozitivului SRD. 3) Conectați coarda de salvare dispozitivului SRD la elementul de fixare de pe partea dorsală a hamului. 4) Numai aplicații verticale. Nu ancorați niciodată dispozitivul SRD sub elementul de fixare de pe partea dorsală a hamului. 4A) Este necesar dispozitiv SRD-LE cu funcție pentru muchie pentru ancorare la nivelul elementului de fixare de pe partea dorsală a hamului sau sub acesta. 4B) Numai aplicații verticale. Nu ancorați niciodată dispozitivul SRD sub elementul de fixare de pe partea dorsală a hamului. 5) Interval de temperatură -40 ° C - 60 ° C 6) Capacitate maximă - 140 kg 7) Țineți sub control reculul corzii de salvare la retragerea în dispozitivul SRD. Nu permiteți niciodată corzii de salvare să se retragă liber. 8) Lucrați direct sub punctul de ancorare SRD pentru a minimiza căderea prin balans. 9) Nu reparați. Acest produs trebuie reparat de un centru de service autorizat. 10) Depozitați dispozitivele SRD într-un mediu răcoros, uscat și curat, ferit de lumina directă a soarelui. 11) Nu încărcăți carcasa SRD pe o muchie. 12) Nu îndepărtați etichetele. 13) Citiți toate instrucțiunile. 14) ID-ul organismului notificat. 15) Luna următoarei inspecții 16) Anul următoarei inspecții 17) Anul și luna de fabricație 18) Numărul lotului 19) Numărul modelului 20) Lungimea corzii de salvare 21) Numărul de serie
(B)	Rotiți manivela în sensul acelor de ceasornic pentru a coborî coarda de salvare. Rotiți manivela în sens invers acelor de ceasornic pentru a ridica coarda de salvare.
(C)	1) Scoateți mânerul de recuperare. 2) Pliăți mânerul de recuperare în afara corpului dispozitivului SRD-R. 3) Scoateți butonul de comutare și țineți apăsat. 4) Împingeți și rotiți ușor manivela în sensul acelor de ceasornic. 5) Eliberați butonul de comutare.

**Tabel 3 – Jurnal de inspecție și întreținere**

Număr/numere de serie:		Data achiziționării:	
Număr model:		Data primei utilizări:	
Inspectat de:		Data inspecției:	
Componentă:	Inspecție:	Utilizator	Persoană calificată
Dispozitiv cu rapel automat (Figura 13)	Verificați dacă există șuruburi slăbite și componente îndoite sau deteriorate.	<input type="checkbox"/>	<input type="checkbox"/>
	Verificați carcasa (A) pentru a depista dacă este deformată, crăpată sau prezintă alte semne de deteriorare.	<input type="checkbox"/>	<input type="checkbox"/>
	Verificați dacă ochetul pivotant (B) este deformat, crăpat sau prezintă alte semne de deteriorare. Ochetul pivotant trebuie fixat bine pe dispozitivul SRD, însă trebuie să pivezeze liber.	<input type="checkbox"/>	<input type="checkbox"/>
	Coarda de salvare (C) trebuie să iasă și să se retragă complet imediat și fără a crea o slăbire a corzii.	<input type="checkbox"/>	<input type="checkbox"/>
	Asigurați-vă că dispozitivul se blochează atunci când coarda de salvare este trasă brusc. Blocarea trebuie să fie fermă și fără posibilitatea de alunecare.	<input type="checkbox"/>	<input type="checkbox"/>
	Toate etichetele trebuie să fie prezente și perfect lizibile (consultați Figura 19).	<input type="checkbox"/>	<input type="checkbox"/>
	Căutați semne de coroziune pe întreaga unitate.	<input type="checkbox"/>	<input type="checkbox"/>
Cârlig de prindere pivotant și indicator de impact (Figura 14)	Verificați cârligul de prindere pivotant pentru a identifica eventualele semne de deteriorare, coroziune și verificați starea de funcționare. Pivotul trebuie să se rotească liber. Inspectați indicatorul de impact. Dacă este afișată banda roșie (modul indicat), s-a produs încărcarea prin impact și utilizarea dispozitivului SRD trebuie întreruptă în vederea inspecției. Nu încercați să resetați indicatorul de impact. Returnați dispozitivul SRD la un centru de service autorizat pentru resetare. OBSERVAȚIE: Pivotul nu se va roti liber atunci când indicatorul de impact este în modul indicat.	<input type="checkbox"/>	<input type="checkbox"/>
Cablu de sârmă de salvare (Figura 15)	Verificați cablurile de sârmă pentru a depista dacă există tăieturi, îndoiri (A), fire rupte (B), răsfire (C), stropi de sudură (D), coroziune, zone de contact cu substanțe chimice sau zone uzate grav datorită frecării. Glisați bara de protecție a cablului (E) în sus și verificați inelele de siguranță (F) pentru a depista eventualele fisuri sau deteriorări și inspectați cablul de sârmă pentru a depista eventuala coroziune și fire rupte. Înlocuiți ansamblul de cabluri de sârmă, dacă există șase sau mai multe fire rupte aleatorii pe un singur cablu, sau trei sau mai multe fire rupte într-un toron de pe un cablu. Un „strat” de cablu de sârmă este lungimea cablului de sârmă necesar pentru un toron (grupurile mai mari de fire) pentru a realiza o rotație sau răsucire în jurul cablului. Înlocuiți ansamblul de cabluri de sârmă dacă există fire rupte la o distanță de 25 mm (1 in) de la inelul de siguranță.	<input type="checkbox"/>	<input type="checkbox"/>
Coardă de salvare de rezervă (Figura 16)	Verificați dispunerea corzii de salvare de rezervă. Dacă a fost oprită o cădere cu o mare parte a corzii de salvare la exterior, este posibil să se fi utilizat coarda de salvare de rezervă. Trageți coarda de salvare din dispozitivul SRD până când se oprește. Dacă este vizibilă o bandă roșie (G), coarda de salvare de rezervă este epuizată, iar unitatea trebuie supusă lucrărilor de întreținere la un centru de service autorizat înainte de reutilizare.	<input type="checkbox"/>	<input type="checkbox"/>
Dispozitiv de absorbție a energiei SRD-LE (Figura 17)	Pe dispozitivele cu rapel automat cu funcție pentru muchie (SRD-LE), verificați ca dispozitivul de absorbție a energiei integrat să nu fi fost activat. Nu trebuie să existe chingi ieșite din capac (A). Capacul trebuie să fie bine fixat și fără fisuri (B) sau alte daune.	<input type="checkbox"/>	<input type="checkbox"/>
Manivelă integrată de recuperare de salvare (Figura 18)	Verificați brațul manivelei (A) pentru a depista eventualele defecte sau alte daune. Asigurați-vă că mânerul de recuperare (B) poate fi pliat și fixat în poziția de rotire.	<input type="checkbox"/>	<input type="checkbox"/>
	Asigurați-vă că butonul de comutare pentru recuperare (C) poate fi tras în poziția deblocat și apoi eliberat, blocând brațul manivelei atât în poziția cuplată, cât și în cea decuplată.	<input type="checkbox"/>	<input type="checkbox"/>
	Testați dacă funcția de recuperare funcționează corect ridicând și coborând o greutate de test de cel puțin 34 kg (75 lb.). Când mânerul de recuperare este eliberat, greutatea nu trebuie să se miște, iar mânerul de recuperare să rămână în poziție (fără mișcare). Trebuie să se audă un clic atunci când sarcina este ridicată.	<input type="checkbox"/>	<input type="checkbox"/>
<b>A acțiune corectivă/Întreținere:</b>	Aprobat de:	Data următoarei inspecții:	
	Data:		
<b>A acțiune corectivă/Întreținere:</b>	Aprobat de:	Data următoarei inspecții:	
	Data:		
<b>A acțiune corectivă/Întreținere:</b>	Aprobat de:	Data următoarei inspecții:	
	Data:		
<b>A acțiune corectivă/Întreținere:</b>	Aprobat de:	Data următoarei inspecții:	
	Data:		
<b>A acțiune corectivă/Întreținere:</b>	Aprobat de:	Data următoarei inspecții:	
	Data:		
<b>A acțiune corectivă/Întreținere:</b>	Aprobat de:	Data următoarei inspecții:	
	Data:		
<b>A acțiune corectivă/Întreținere:</b>	Aprobat de:	Data următoarei inspecții:	
	Data:		

# ИНФОРМАЦИЯ ПО ТЕХНИКЕ БЕЗОПАСНОСТИ

Перед использованием этого изделия пользователи должны изучить и усвоить информацию по технике безопасности, содержащуюся в этой инструкции, а также руководствоваться ею в дальнейшем. **НЕСОБЛЮДЕНИЕ ИНСТРУКЦИЙ МОЖЕТ ПРИВЕСТИ К СЕРЬЕЗНЫМ ТРАВМАМ ИЛИ СМЕРТИ.**

Эти инструкции должны быть предоставлены пользователю изделия. Сохраните эту инструкцию для дальнейшего использования.

## Назначение

Это изделие используется как часть полной системы защиты от падения с высоты.

Любое другое применение (в том числе, помимо прочего, погрузочно-разгрузочные операции, мероприятия, связанные с досугом, связанная со спортом деятельность или другие виды деятельности, не описанные в этой инструкции) не утверждено компанией 3М и может привести к серьезным травмам или летальному исходу.

Это изделие предназначено для использования лицами, прошедшими обучение по его правильному применению на работе.



## ВНИМАНИЕ!

Это изделие используется как часть полной системы защиты от падения с высоты. Все пользователи должны быть полностью обучены безопасной установке и эксплуатации полной системы защиты от падения с высоты. **Неправильное использование этого изделия может привести к серьезным травмам или летальному исходу.** Для правильного подбора, эксплуатации, установки, технического обслуживания и ремонта ознакомьтесь со всеми инструкциями по эксплуатации и рекомендациями производителя. За дополнительной информацией обращайтесь к своему руководителю или в службу технической поддержки 3М.

### • Что необходимо делать, чтобы снизить риски, связанные с использованием средства защиты втягивающего типа и критично важные для избегания серьезных травм или летального исхода.

- Проверяйте изделие перед каждым использованием и после каждого случая падения, выполняя процедуры, указанные в настоящей инструкции.
- Если в ходе проверки выявлено небезопасное или неисправное состояние, немедленно выведите изделие из эксплуатации и нанесите этикетку с четкой надписью НЕ ИСПОЛЬЗОВАТЬ. Утилизируйте или отремонтируйте изделие в соответствии с настоящими инструкциями.
- Любое изделие, подвергшееся воздействию сил, возникающих при остановке падения, или ударному воздействию, подлежит немедленному выведению из эксплуатации. Утилизируйте или отремонтируйте изделие в соответствии с настоящими инструкциями.
- Убедитесь в том, что системы защиты от падения с высоты, собранные из компонентов, изготовленных разными производителями, совместимы друг с другом и соответствуют всем действующим нормам, стандартам или требованиям к системам защиты от падения с высоты. Перед использованием данных систем всегда консультируйтесь с компетентным лицом или квалифицированным специалистом.
- Обязательно следите за тем, чтобы строп не подвергался опасным факторам, включая, среди прочего: запутыванию в нем пользователей, других работников и прочих находящихся поблизости объектов; попаданию в движущиеся механизмы или удару вследствие падения объектов на строп или пользователей.
- Не скручивайте, не обвязывайте и не завязывайте строп, а также не допускайте его провисания.
- Избегайте опасности падения, связанной с разветвлением стропа. При наличии прикрепите неиспользуемые ветви стропа к элементам для присоединения к держателю стропа.
- Количество пользователей не должно превышать допустимое число, указанное в этой инструкции.
- Запрещается использовать изделие, если на траектории падения имеются препятствия. Для срабатывания СЗВТ на траектории падения не должно быть препятствий. Работа на медленно сдвигающихся материалах (например, на песке или зерне) или внутри замкнутых или ограниченных пространств может не позволить работнику достичь достаточной для срабатывания СЗВТ скорости.
- При работе с изделием избегайте резких или быстрых движений, поскольку они могут привести к непреднамеренному срабатыванию СЗВТ.
- Соблюдайте осторожность при установке, использовании и перемещении этого изделия, поскольку движущиеся части могут создавать точки защемления.
- Используйте соответствующую защиту от острых краев, где строп может касаться острых кромок или абразивных поверхностей.
- Если изделие использовалось при спуске, его необходимо немедленно вывести из эксплуатации.
- Перед использованием убедитесь, что на траектории спуска и в зоне приземления нет никаких препятствий или опасных условий.
- Для безопасной работы с изделием проверяйте, правильно ли оно собрано и установлено в соответствии с настоящей инструкцией.

### • Чтобы снизить риски, связанные с работой на высоте и критично важные для избегания серьезных травм или летального исхода, соблюдайте перечисленные ниже правила.

- Ваше здоровье и физическое состояние должны быть на уровне, который позволит вам безопасно работать на высоте и при этом выдерживать воздействие всех сил, возникающих при остановке падения. Проконсультируйтесь со своим врачом, если у вас есть вопросы относительно вашей способности использовать это средство защиты.
- Ни в коем случае не допускайте превышения максимального веса пользователя при использовании средства защиты от падения с высоты.
- Ни в коем случае не превышайте максимальное расстояние свободного падения, указанное для вашего средства защиты от падения с высоты.
- Не используйте средство защиты от падения с высоты, если оно не прошло проверку или если у вас есть сомнения относительно использования или пригодности этого средства защиты. По всем вопросам обращайтесь в службу технической поддержки компании 3М.
- Некоторые сочетания компонентов и подсистем могут препятствовать нормальной работе оборудования. Используйте только совместимые соединительные элементы. Перед использованием этого средства защиты вместе с компонентами или подсистемами, не описанными в настоящей инструкции, обращайтесь в службу технической поддержки 3М.
- Соблюдайте дополнительные меры предосторожности при работе с движущимися механизмами, при опасности поражения электрическим током, при экстремальных температурах, в присутствии опасных химических веществ, взрывчатых или токсичных газов, при наличии острых кромок либо абразивных поверхностей или при выполнении работ под материалами, расположенными над головой, которые могут упасть на вас или на ваше средство защиты от падения с высоты.
- Убедитесь в том, что изделие рассчитано на эксплуатацию в опасных условиях вашей рабочей среды.
- Убедитесь в наличии достаточного запаса высоты при работе на высоте.
- Ни в коем случае не модифицируйте и не вносите изменения в средство защиты от падения с высоты. Только компания 3М или уполномоченные письменным разрешением от компании 3М лица могут производить ремонт средств защиты 3М.
- Перед использованием средств защиты от падения с высоты убедитесь в наличии письменного плана спасения, который позволяет оперативно организовать спасательные работы в случае падения.
- Если происходит падение, немедленно организуйте медицинскую помощь упавшему работнику.
- Используйте страховочную привязь только в качестве защиты от падения. Не используйте предохранительный пояс.
- Для снижения опасности маятникового эффекта при падении работайте непосредственно под точкой анкерного крепления или как можно ближе к ней.
- При обучении работе с этим изделием необходимо использовать вторую систему защиты от падения с высоты. Обучающиеся пользователи не должны подвергаться опасности непреднамеренного падения.
- Всегда надевайте соответствующие средства индивидуальной защиты при установке, эксплуатации или проверке этого изделия.
- Ни в коем случае не работайте под подвешенным грузом или работником.
- Всегда сохраняйте 100%-е непрерывное подсоединение.



Перед использованием изделия запишите идентификационную информацию об изделии, указанную на идентификационной этикетке, в «Журнал проверки и обслуживания», который находится в конце данной инструкции по эксплуатации.

Всегда убедитесь, что вы используете последнюю версию руководства по эксплуатации ЗМ. Посетите веб-сайт ЗМ или свяжитесь с ЗМ Техническая поддержка для обновленных инструкций по эксплуатации.


## ОПИСАНИЕ:

на рисунке 2 представлены основные компоненты средств защиты втягивающего типа (СЗВТ) Protecta Rebel. СЗВТ Protecta Rebel представляют собой наматываемые на барабан проволочные тросы (А), втягивающиеся в термопластиковый или алюминиевый корпус (В). Они могут подвешиваться на анкерное крепление с помощью карабина, прикрепленного через проушину вертлюга (С) сверху СЗВТ. Присоедините самозапирающийся крюк-карабин (D) на конце троса к точке крепления, предназначенной для защиты от падения, на страховочной привязи. Бампер (Е) защищает проволочный трос и зажимы, предохраняя крюк-карабин от истирания и коррозии.

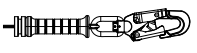
На рисунке 1 показаны модели СЗВТ Rebel, к которым относится эта инструкция по эксплуатации. Доступны перечисленные ниже типы СЗВТ.

- **Средство защиты втягивающего типа (рисунок 2А).** Средства защиты втягивающего типа (СЗВТ) пригодны для применения в ситуациях, когда трос остается в вертикальном положении во время использования, а расстояние возможного свободного падения ограничено значением 0,6 м (2 фута).
- **Средства защиты втягивающего типа для острых краев (рисунок 2В).** Средства защиты втягивающего типа для острых краев (СЗВТ-ОК) пригодны для использования в ситуациях, когда трос в целом остается в горизонтальном положении во время использования, а высота возможного свободного падения не более 1,5 м (5 футов). Устройства СЗВТ-ОК снабжены встроенным амортизатором (F) или аналогичным компонентом, уменьшающим ударную нагрузку на трос, находящийся поверх острого или абразивного края во время задействования системы остановки падения, минимизируя силы, воздействующие на пользователя при остановке падения.
- **Средство защиты втягивающего типа с функцией эвакуации (рисунок 2С).** Средства защиты втягивающего типа с функцией эвакуации включают встроенные средства для содействия эвакуации путем поднимания или опускания объекта спасения. СЗВТ-Э оснащены рукояткой тройного действия для аварийной эвакуации (G). Некоторые модели могут включать в себя набор для крепления к треноге (H) для установки СЗВТ-Э на стойке треноги для применения в замкнутом пространстве.

**Таблица 1 – Технические характеристики**

 Половины корпуса	Материал
9508320 и 9520047	Алюминий — 15 м (50 футов) СЗВТ-Э
9511070 и 9511071	Термопластик — 6 м (20 футов) СЗВТ, 10 м (33 фута) СЗВТ и 6 м (20 футов) СЗВТ-ОК для острых краев
9520021 и 9520022	Алюминий — 6 м (20 футов) и 10 м (33 фута) СЗВТ
9520044 и 9520045	Термопластик — 15 м (50 футов) СЗВТ и 10 м (33 фута) СЗВТ-ОК для острых краев
9520046 и 9520047	Алюминий — 15 м (50 футов) СЗВТ
9520056 и 9520057	Термопластик — 20 м (66 футов), 25 м (82 фута), 30 м (100 футов) СЗВТ
9520058 и 9520059	Алюминий — 20 м (66 футов), 25 м (82 фута) и 30 м (100 футов) СЗВТ

 Трос	Описание	Крюк-карабин
9501087 и 2000175	Проволочный трос из гальванизированной стали толщиной 5,56 мм (7/32 дюйма), поворотный самозапирающийся крюк-карабин из легированной стали с индикатором.	2000175
9501479 и 2000175	Проволочный трос из гальванизированной стали толщиной 4,76 мм (3/16 дюйма), поворотный самозапирающийся крюк-карабин из легированной стали с индикатором.	2000175
9501613 и 2000170	Проволочный трос из нержавеющей стали толщиной 4,76 мм (3/16 дюйма), поворотный самозапирающийся карабин из нержавеющей стали с индикатором нагрузки.	2000170
9501613 и 2000175	Проволочный трос из нержавеющей стали толщиной 4,76 мм (3/16 дюйма), поворотный самозапирающийся крюк-карабин из легированной стали с индикатором нагрузки.	2000175
9501613 и 2100044	Проволочный трос из нержавеющей стали толщиной 4,76 мм (3/16 дюйма), поворотный самозапирающийся крюк-карабин из нержавеющей стали с индикатором нагрузки.	2100044

Крюк-карабин	Описание	Материал	Прочность затвора	Размер отверстия
2000170	Поворотный самозапирающийся карабин с индикатором нагрузки	Нержавеющая сталь	16 кН (3600 фунт-сил)	1,9 см (75 дюймов)
2000175	Поворотный самозапирающийся крюк-карабин с индикатором нагрузки	Оцинкованная сталь	16 кН (3600 фунт-сил)	1,9 см (75 дюймов)
2100044	Поворотный самозапирающийся крюк-карабин с индикатором нагрузки	Нержавеющая сталь	16 кН (3600 фунт-сил)	1,9 см (75 дюймов)

**Таблица 1 – Технические характеристики**

<b>Предел прочности проволочных строп:</b>	9501479 — диаметр 4,76 мм (3/16 дюйма), гальванизированная сталь Мин. предел прочности 18,7 кН (4200 фунт-сил) 9501613 — диаметр 4,76 мм (3/16 дюйма), нержавеющая сталь Мин. предел прочности 16,0 кН (3600 фунт-сил) 9501087 — диаметр 5,55 мм (7/32 дюйма), гальванизированная сталь Мин. предел прочности 24,9 кН (5600 фунт-сил)
<b>Максимальная подъемная нагрузка СЗВТ-Э:</b>	135 кг (298 фунтов)
<b>Прочность анкеровки</b>	12 кН (2,697 фунт-сил)

<b>Технические характеристики СЗВТ</b>	<b>Модели CE (EN 360)</b>
<b>Диапазон значений максимального веса пользователя:</b>	59–140 кг (130–310 фунтов)
<b>Максимальная сила остановки падения:</b>	6 кН (1 350 фунт-сил)
<b>Средняя сила остановки падения:</b>	4 кН (900 фунт-сил)
<b>Максимальное расстояние остановки:</b> <i>*предполагается, что СЗВТ устанавливается непосредственно над конечным пользователем.</i>	1,1 м (42 дюймов)
<b>Требуемый минимальный запас высоты:</b> <i>*предполагается, что СЗВТ устанавливается непосредственно над конечным пользователем.</i>	1,8 м (6 футов)
<b>Максимальная длина при свободном падении:</b> <i>*СЗВТ устанавливается над D-образным кольцом пользователя.</i>	0,6 м (2 футов)

<b>Технические характеристики СЗВТ-ОК</b>	<b>Модели CE (EN 360 + CNB/P/11.060)</b>
<b>Диапазон значений максимального веса пользователя:</b>	59–140 кг (130–310 фунтов)
<b>Максимальная сила остановки падения:</b>	6 кН (1 350 фунт-сил)
<b>Средняя сила остановки падения:</b>	4 кН (900 фунт-сил)
<b>Максимальное расстояние остановки:</b> <i>*предполагается, что СЗВТ устанавливается непосредственно над конечным пользователем.</i>	1,1 м (42 дюймов)
<b>Требуемый минимальный запас высоты:</b>	Вертикально: 1,8 м (6 футов) Горизонтально: 5,03 м (16,5 фута)
<b>Максимальная длина при свободном падении:</b> <i>*СЗВТ устанавливается над D-образным кольцом пользователя.</i>	0,6 м (2 футов)
<b>Максимальная длина при свободном падении — ОК:</b> <i>*Измерено от D-образного кольца до рабочей поверхности.</i>	1,5 м (5 футов)

## 1.0 ПРИМЕНЕНИЕ

**1.1 НАЗНАЧЕНИЕ.** Средства защиты втягивающего типа (СЗВТ) 3М являются составным компонентом индивидуальной страховочной системы (ИСС). На рисунке 1 показаны СЗВТ, описанные в этой инструкции по эксплуатации, и их типичные сферы применения. Их можно использовать в большинстве случаев, когда необходимо обеспечить одновременно мобильность работника и защиту от падения с высоты (т. е. операции проверки, строительство, техническое обслуживание, нефтедобыча, работы в замкнутом пространстве и т. п.).

**1.2 СТАНДАРТЫ.** Ваше СЗВТ соответствует требованиям государственных или региональных стандартов, перечисленных на обложке этой инструкции по эксплуатации. При перепродаже этого изделия за пределы страны его производства посредник должен предоставить эти инструкции на языке страны, в которой будет использоваться изделие.

**1.3 ОБУЧЕНИЕ.** Данное оборудование предназначено для использования лицами, обученными правильному применению и использованию этого оборудования. Работодатель должен ознакомить лиц, использующих данное средство защиты, с инструкциями и проводить обучение правильному использованию и обслуживанию этого средства защиты. Пользователь должен также знать рабочие характеристики, пределы применения и последствия неправильного использования изделия.

**1.4 ОГРАНИЧЕНИЯ.** При установке и использовании этого средства защиты всегда необходимо соблюдать следующие ограничения и требования:

- **Грузоподъемность.** Это СЗВТ прошло испытания на соответствие требованиям использования одним человеком с общим весом (включая одежду, инструменты и т. д.) от 59 кг (130 фунтов) до 140 кг (310 фунтов).<sup>1</sup> Удостоверьтесь в том, что значение веса всех компонентов вашей системы отвечает требованиям, обусловленным вариантом ее применения.
- **Место анкерного крепления:** Требования к месту анкерного крепления отличаются в зависимости от предполагаемой системы защиты от падения с высоты. Конструкция, к которой крепится анкерный соединитель, должна отвечать техническим характеристикам к местам анкерного крепления, изложенным в табл. 1.
- **Скорость блокировки.** Нужно избегать ситуаций, в которых невозможно беспрепятственное падение. Работа в ограниченных или тесных пространствах может не позволить телу достичь достаточной для срабатывания СЗВТ скорости при падении. Работа на медленно сдвигающемся материале (например, песок или зерно) может не позволить телу достичь скорости, достаточной для срабатывания СЗВТ. Для уверенного срабатывания СЗВТ на траектории падения не должно быть препятствий.
- **Свободное падение.** Надлежащее размещение СЗВТ над головой способствует минимизации расстояния свободного падения. Чтобы предотвратить увеличение расстояния свободного падения, следуйте указанным ниже инструкциям.
  - Не заземляйте трос, не завязывайте его узлами, не препятствуйте его втягиванию и не натягивайте туго.
  - Избегайте любого провисания троса СЗВТ.
  - Не работайте выше уровня своего анкерного крепления.
  - Запрещается удлинять СЗВТ за счет присоединения стропов или других компонентов, не проконсультировавшись с компанией 3М.

Конкретную информацию об изделии, относящуюся к значениям расстояния свободного падения и запаса высоты, см. в таблице 1 этой инструкции.

- **Маятниковый эффект при падении.** Маятниковый эффект при падении возникает в случае, когда место анкерного крепления не находится строго над местом падения. Удар о предмет при маятниковых движениях может привести к серьезным травмам (см. рисунок 3А). Для снижения опасности маятникового эффекта при падении работайте непосредственно под местом анкерного крепления или как можно ближе к нему (рисунок 3В). При выполнении работ на удалении от места анкерного крепления (рисунок 3С) возрастает опасность маятникового эффекта при падении и требуемый запас высоты (FC).
- **Запас высоты.** На рисунке 3В показан расчет запаса высоты. Запас высоты (FC) представляет собой сумму расстояния свободного падения (FF), расстояния торможения (DD) и свободного пространства под работником после остановки падения (SF):  $FC = FF + DD + SF$ . Перемещение D-образного кольца и вытягивание привязи учитываются в свободном пространстве под работником после остановки падения. Вычисленные значения запаса высоты представлены на рисунке 4. Для всех значений на рисунке 4 использован коэффициент запаса 1 м (3,28 фута).  
На рисунках 3В и 3С показан запас высоты. Страховочные системы с СЗВТ должны устанавливаться с минимальным запасом высоты, указанным в таблице 1, на случай падения из стоячего положения, когда место крепления СЗВТ расположено строго сверху (рисунок 3В). Если рабочий стоит на коленях или приседает, необходимо дополнительно увеличить запас высоты на 1 м (3 фута). Общее вертикальное расстояние при падении с маятниковым движением (рисунок 3С) будет больше, чем при падении прямо под местом анкерного крепления, поэтому запас высоты, необходимый для обеспечения безопасности пользователя, увеличивается. На рисунке 4 и в соответствующей таблице указаны значения максимального радиуса работ (C) для различной высоты мест анкерного крепления (A) СЗВТ, а также значения запаса высоты (B). Рекомендуемая зона работ ограничена зоной, расположенной в пределах максимального радиуса работ.
- **Опасные условия.** При использовании данного средства защиты в присутствии опасных условий окружающей среды следует принять дополнительные меры предосторожности во избежание производственного травматизма и порчи средства защиты. К опасным могут, среди прочего, относиться следующие условия: высокую температуру, едкие химикаты, коррозионные среды, высоковольтные линии, взрывчатые или токсичные газы, движущиеся механизмы или высоко расположенные материалы, которые могут упасть и задеть пользователя или страховочную систему. Следует избегать работ в тех местах, где трос может пересечься или запутаться со стропами других работников. Избегайте работы в местах, где возможно падение предметов и их удар о трос, что приведет к потере равновесия или повреждению троса. Не допускайте попадания троса под руки или между ног во время использования.
- **Острые края.** Избегайте работы в ситуациях, когда трос может соприкасаться с незащищенными острыми краями либо тереться о них. Если соприкосновение с острым краем неизбежно, его необходимо накрыть защитным материалом.

<sup>1</sup> **Грузоподъемность.** В то время как максимальный вес пользователей СЗВТ, соответствующий нормам CE, составляет 140 кг (310 фунтов), СЗВТ с рукояткой тройного действия, используемые для эвакуации, рассчитаны на грузоподъемность не более 135 кг (298 фунтов).

## 2.0 ИСПОЛЬЗОВАНИЕ

- 2.1 ПЛАН СПАСЕНИЯ.** Для использования этого средства защиты работодатель должен иметь план спасения в письменной форме и средства для проведения спасательных операций; кроме того, он должен довести этот план до пользователей, уполномоченных лиц и спасателей.
- 2.2 ПЕРИОДИЧНОСТЬ ПРОВЕРКИ.** СЗВТ должны быть проверены уполномоченным лицом<sup>1</sup> или спасателем<sup>2</sup> перед каждым использованием средства защиты (см. таблицу 2). Кроме того, проверки должны проводиться компетентным лицом<sup>3</sup>, которое не является пользователем этого устройства не реже одного раза в год. Предельные рабочие условия (жесткие условия окружающей среды, длительное использование и т. п.) могут потребовать более частого проведения проверок компетентным лицом. Порядок проверки изложен в *Журнале проверки и обслуживания* (таблица 3). Результаты проверки компетентным лицом заносятся в *Журнал проверки и обслуживания* или фиксируются с помощью системы радиочастотной идентификации.
- 2.3 РАБОТА В НОРМАЛЬНОМ РЕЖИМЕ.** При работе в нормальном режиме рабочий двигается с обычной скоростью, при этом трос вытягивается и втягивается без рывков и провисаний. При падении активируется система торможения, срабатывающая при определенной скорости, падение останавливается, при этом значительная часть высвобождающейся энергии поглощается. При нормальной работе следует избегать резких или быстрых движений, поскольку они могут привести к блокировке СЗВТ. На случай падения при полностью или почти полностью вытянутом тросе предусмотрен резервный участок троса или амортизатор, которые обеспечивают уменьшение сил остановки падения. Если СЗВТ подверглось воздействию сил остановки падения: выведите его из эксплуатации, пометьте его как «НЕИСПРАВНОЕ» или прикрепите к нему бирку с соответствующей надписью, проводите проверки и ремонт согласно инструкциям в разделах 5 и 6.
- 2.4 КРЕПЛЕНИЕ К ТЕЛУ.** Вместе с Средства защиты втягивающего типа необходимо также использовать страховочную привязь. Точка крепления на страховочной привязи должна находиться выше центра тяжести пользователя. Запрещается использовать вместе с Средства защиты втягивающего типа ремень безопасности. Падение в случае использования предохранительного пояса может привести к травмам в результате неправильной поддержки тела.
- 2.5 СОВМЕСТИМОСТЬ КОМПОНЕНТОВ.** Если не указано иное, средства защиты компании ЗМ предназначены только для использования с компонентами и вспомогательными системами, одобренными компанией ЗМ. Замены с использованием непроверенных компонентов или подсистем могут нарушать совместимость оборудования и влиять на безопасность и надежность системы в целом. Выполняйте инструкции производителя в отношении каждого компонента и подсистемы вашей индивидуальной страховочной системы.
- 2.6 СОВМЕСТИМОСТЬ СОЕДИНИТЕЛЬНЫХ ЭЛЕМЕНТОВ.** Соединительные элементы считаются совместимыми с соединяемыми элементами, если все они предназначены для совместной работы таким образом, что их размеры и формы не вызывают случайного открытия их запирающих механизмов независимо от их положения. При наличии вопросов о совместимости обращайтесь в компанию ЗМ.
- Соединительные элементы, используемые для присоединения СЗВТ, должны соответствовать требованиям стандарта EN362. Соединительные элементы должны быть совместимы с анкерным креплением или другими компонентами системы. Не используйте несовместимое снаряжение. Несовместимые соединительные элементы могут случайно отсоединиться (см. рисунок 5). Соединительные элементы должны быть совместимыми по размеру, форме и прочности. Необходимо использовать самозапирающиеся крюки-карабины и карабины. Если соединительный элемент, к которому прикреплен крюк-карабин или карабин, имеет малый размер или неправильную форму, может возникнуть ситуация, когда усилие от соединительного элемента будет приложено к затвору крюка-карабина или карабина (А). Это усилие может привести к открытию защелки (В), в результате чего крюк-карабин или карабин может отсоединиться от точки соединения (С).
- 2.7 ВЫПОЛНЕНИЕ СОЕДИНЕНИЙ.** Со средствами защиты можно использовать только самозапирающиеся крюки-карабины и карабины. Убедитесь, что все соединения совместимы по размеру, форме и усилию. Не используйте несовместимое снаряжение. Убедитесь, что все соединительные элементы полностью совместимы, закрыты и заблокированы. Поставляемые компанией ЗМ соединительные элементы (крюки-карабины и карабины) предназначены для применения только в соответствии с инструкциями по эксплуатации каждого изделия. Недопустимые соединения см. на рисунке 6. Крюки-карабины и карабины не следует соединять указанными ниже способами.
- A. С D-образным кольцом, к которому присоединен другой соединительный элемент.
  - B. Таким образом, чтобы создавать нагрузку на затвор. Крюки-карабины большого размера не следует соединять с D-образными кольцами стандартного размера и аналогичными элементами, поскольку в случае прокручивания или поворота крюка-карабина или D-образного кольца это приведет к возникновению нагрузки на затвор. Исключение составляют крюки-карабины, способные выдерживать нагрузку 16 кН (3600 фунтов). Проверьте маркировку своего крюка-карабина, чтобы убедиться в том, что он подходит для ваших условий эксплуатации.
  - C. С ложной фиксацией, когда выступающие части крюка-карабина или карабина зацепляются за крепление и на первый взгляд кажется, что они нормально зафиксированы в точке анкерного крепления.
  - D. Друг с другом.
  - E. Непосредственно к ленточному или веревочному стропу или чокерным подсоединением (если в инструкции производителя не указана явно допустимость такого соединения).
  - F. С любым предметом, который имеет такую форму или размер, что крюк-карабин или карабин не закроется и не заблокируется или может произойти открытие.
  - G. Таким образом, который препятствует правильному ориентированию соединительного элемента под нагрузкой.

**Таблица 2 – График проверок**

Характер эксплуатации	Примеры применения	Условия эксплуатации	Периодичность проверки
			Компетентное лицо
Редко	Спасательные работы и ограниченные пространства, гарантийное обслуживание	Хорошие условия хранения, использование в помещении или редкие наружные работы, комнатная температура, чистая окружающая среда	Ежегодно
Средняя интенсивность использования	Транспортировка, жилищное строительство, коммунальные предприятия, склады	Удовлетворительные условия хранения, использование в помещениях, наружные работы, все возможные температуры, чистая или запыленная среда	Два или один раз в год
Интенсивно или непрерывно	Промышленное строительство, нефтегазовая отрасль, горнодобывающая промышленность	Неблагоприятные условия хранения, длительное или непрерывное использование при проведении наружных работ, все возможные температуры, загрязненная среда	Ежеквартально или два раза в год

- 1 Уполномоченное лицо.** лицо, назначенное работодателем для выполнения обязанностей на месте, где существует опасность падения.
- 2 Спасатель.** лицо или лица (не включая объект спасения), выполняющие спасательную операцию с помощью системы спасения и эвакуации.
- 3 Компетентное лицо.** человек, назначенный работодателем в качестве ответственного за непосредственный надзор, реализацию и контроль управляемой работодателем программы защиты от падения с высоты. Его образование и знания позволяют идентифицировать, оценивать и устранять существующие и возможные опасности падения, а предоставленные работодателем полномочия дают возможность предпринимать надлежащие корректирующие действия по отношению к таким опасностям.

**2.8 САМОВТЯГИВАЮЩИЕСЯ СТРОПЫ С ФУНКЦИЕЙ ЗАЩИТЫ ОТ ПАДЕНИЯ ЧЕРЕЗ КРАЙ (SRL-LE):** Устройства SRD, описанные в этом руководстве, снабжены самовтягивающимися стропами с функцией защиты от падения через край (SRL-LE). Конкретные модели устройств SRL-LE показаны на рисунке 1. Устройства SRL-LE прошли испытания на падение через стальной край без зазубрин при горизонтальном использовании. Устройства SRL-LE пригодны для использования в ситуациях, когда возможно падение через края стальных конструкций или листов.

**Меры предосторожности при использовании устройств SRL-LE** Примите перечисленные ниже меры предосторожности при использовании устройств SRL-LE.

- Допустимый угол перегиба страховочного троса SRL-LE на краю, через который возможно падение (измеренный между двумя сторонами, образуемыми при изменении перегиба троса), должен составлять не менее 90 градусов. (см. рис. 7).
- Точка крепления должна находиться на высоте края, через который возможно падение, или выше. Точки крепления, находящиеся ниже края, опасны, поскольку вызывают перегиб троса под углом менее 90 градусов (см. рис. 7) .
- В разделе 1 указаны ограничения допустимой рабочей зоны относительно точки крепления, включая такие факторы, как падение маятником и истирание троса о край, а также использование одной точки крепления по сравнению с использованием точек крепления, допускающих горизонтальное перемещение (например, горизонтальная страховочная система или горизонтальный рельс).
- Устройства SRL-LE можно использовать с горизонтальными страховочными системами или горизонтальным рельсом только в строгом соответствии с инструкциями к оборудованию для горизонтальной страховочной системы или горизонтального рельса.
- Нельзя работать на дальней стороне проема напротив крепления устройства SRL-LE.
- В случае падения через край могут потребоваться специальные спасательные средства.
- При планировании использования устройств защиты от падения через край убедитесь в том, что параметры рабочей зоны находятся в пределах значений минимального расстояния от места крепления, максимального расстояния свободного падения и минимально необходимого запаса высоты в случае падения через край. Эти значения указаны на этикетках устройств SRL-LE.

**Расчет запаса высоты при падении через край.** Минимально необходимый запас высоты при падении через край можно рассчитать на основе расстояния от места крепления и расстояния вдоль края (см. рис. 8). Расчет запаса высоты падения по таблице на рис. 8.

1. Выберите значение, максимально приближенное к вашему расстоянию от точки крепления (A) в заголовках строк с левой стороны.
2. Выберите значение, максимально приближенное к вашему рабочему расстоянию вдоль края (B) в верхних заголовках столбцов. Затененные области без значений показывают, что расстояние вдоль края находится за пределами безопасного радиуса работ для выбранного расстояния от точки крепления.
3. Необходимым значением запаса высоты падения через край (C) будет значение, указанное на пересечении строки, выбранной в шаге 1, и столбца, выбранного в шаге 2.

Чтобы определить безопасное место крепления и допустимый радиус работ, повторите перечисленные выше шаги для каждого края, через который теоретически может упасть работник.

## 3.0 УСТАНОВКА

- 3.1 ПЛАНИРОВАНИЕ:** Планируйте систему предотвращения падения до начала выполнения работ. Учитывайте все факторы, которые могут влиять на безопасность до, во время и после падения. Учитывайте все требования и ограничения, приведенные в этой инструкции по эксплуатации.
- 3.2 АНКЕРНЫЕ крепления** На рисунке 9 показаны стандартные варианты анкерных устройств СЗВТ. Анкерное крепление (А) должно быть непосредственно над головой, чтобы минимизировать риск свободного падения и маятникового эффекта при падении (см. раздел 2). Выберите жесткую точку анкерного крепления, способную выдерживать статические нагрузки, приведенные в разделе 2.2. Проушина вертлюга на СЗВТ оснащена карабином (В). Прикрепите карабин непосредственно к несущей конструкции (арматуре, угловому профилю и т. п.), крепежному адаптеру (С) или точке анкерного крепления (D).
- 3.3 ПРИСОЕДИНЕНИЕ К ПРИВЯЗИ:** Страховочная привязь является обязательной в системах остановки падения. Подсоедините крюк-карабин (А) на тросе СЗВТ к заднему спинному D-образному кольцу (В) на страховочной привязи (см. рис. 10). В таких ситуациях, как подъем по лестнице, может быть целесообразно подсоединиться к переднему нагрудному D-образному кольцу. Подробные сведения об использовании точек крепления привязи содержатся в инструкции производителя.
- 3.4 МОНТАЖ НА ТРЕНОГЕ:** На рисунке 11 изображена установка со средствами защиты втягивающего типа Rebel со спасательным подъемным устройством с ручным управлением на треноге Protesta. СЗВТ-Э монтируется на стойке треноги, а трос проходит через систему шкивов на головке треноги. Подробные сведения содержатся в инструкциях к треноге и крепежному приспособлению.

## 4.0 ИСПОЛЬЗОВАНИЕ

*Перед первым использованием средств защиты втягивающего типа (СЗВТ) Rebel или в случае их редкого использования прочитайте раздел «Информация по технике безопасности» в начале этой инструкции.*

- 4.1 ПЕРЕД КАЖДЫМ ИСПОЛЬЗОВАНИЕМ:** убедитесь в том, что ваша система защиты от падения с высоты отвечает всем критериям, указанным в этих инструкциях. Убедитесь в наличии официального плана эвакуации. Проверьте изделие по пользовательским точкам проверки, которые определены в *Журнале проверки и обслуживания*. Если в результате проверки будет выявлено небезопасное или неисправное состояние или возникнут какие-либо сомнения относительно безопасного использования, немедленно выведите изделие из эксплуатации. Нанесите этикетку с четкой надписью НЕ ИСПОЛЬЗОВАТЬ. Дополнительную информацию см. в разделе 5.
- 4.2 ИСПОЛЬЗОВАНИЕ ПОСЛЕ ПАДЕНИЯ.** Любое средство защиты, подвергавшееся воздействию сил остановки падения, или имеющее признаки повреждений, связанных с воздействием сил, возникающих при остановке падения (как описано в разделе 5), должно быть немедленно выведено из эксплуатации, помечено как «НЕПРИГОДНО», проверено и обслужено согласно инструкциям в разделах 5 и 6.
- 4.3 КРЕПЛЕНИЕ К ТЕЛУ.** При использовании СЗВТ 3М необходимо надевать страховочную привязь. Для использования с целью общей защиты от падения с высоты соединяйте с задним спинным D-образным кольцом крепления. В таких ситуациях, как подъем по лестнице, может быть целесообразно подсоединиться к переднему нагрудному D-образному кольцу. Подробные сведения об использовании точек крепления привязи содержатся в инструкции производителя.
- 4.4 ВЫПОЛНЕНИЕ СОЕДИНЕНИЙ:** Используя для выполнения соединений крюк-карабин, следует обеспечить невозможность выпадания (см. рисунок 5). Не используйте крюки-карабины или соединительные элементы, которые не закрываются полностью на элементе крепления. Не используйте незапирающиеся крюки-карабины. Установочная поверхность должна соответствовать требованиям к прочности мест анкерных креплений, приведенным в разделе 2.2. Всегда следуйте инструкциям производителя, поставляемым с каждым компонентом системы.
- 4.5 РАБОТА С ИЗДЕЛИЕМ.** Проведите проверку СЗВТ, как описано в разделе 5.0. Соедините СЗВТ с соответствующим местом анкерного крепления или анкерным устройством, как описано выше. Прикрепите самоблокирующийся крюк с защелкой, находящийся на конце троса, к спинному D-образному кольцу страховочной привязи (см. рис. 10). Убедитесь, что соединяемые элементы совместимы по размеру, форме и усилию. Убедитесь в полном закрытии и запирании крюка-карабина. После присоединения рабочий может передвигаться в пределах рекомендованной рабочей области с нормальной скоростью. Если кнопка выбора функции RSQ находится в положении «Остановка падения», СЗВТ останавливает падение. Если кнопка выбора функции RSQ находится в положении «Спуск», в случае падения СЗВТ автоматически спускает пользователя на более низкий уровень. При работе с СЗВТ необходимо следить за обеспечением контролируемого втягивания троса в устройство. Во время выполнения присоединений и отсоединений может потребоваться вспомогательный канат для втягивания или втягивания троса. Этот канат может использоваться для предотвращения неконтролируемого втягивания троса в СЗВТ. В зависимости от условий рабочей среды может возникнуть необходимость в удерживании свободного конца шнура во избежание взаимодействия и переплетения со средствами защиты или механизмами.
- 4.6 ЭВАКУАЦИЯ:** на рисунке 12 изображена эксплуатация встроенной спасательной рукоятки на СЗВТ-Э Rebel, предназначенном для эвакуации. Не пытайтесь использовать функцию эвакуации, когда трос полностью втянут. Чтобы активировать режим эвакуации и использовать спасательное подъемное устройство, выполните приведенные ниже действия.
1. Потяните за ручку лебедки, чтобы высвободить рукоятку спасательного подъемного устройства.
  2. Поверните ручку лебедки в направлении от корпуса СЗВТ на 180°.
  3. Потяните и удерживайте фиксирующую кнопку в разблокированном положении.
  4. Нажав на рукоятку, приведите ее в зацепление, и отпустите фиксирующую кнопку. Если необходимо, поверните рукоятку по часовой стрелке, чтобы помочь механизму войти в зацепление.
  5. Поднимите и опустите трос, как показано на рисунке 12:
    - A. Для подъема: Поворачивайте рукоятку против часовой стрелки.
    - B. Чтобы опустить: слегка поверните рукоятку против часовой стрелки, чтобы отпустить тормоз, останавливающий падение, затем поверните рукоятку по часовой стрелке.

*Встроенная спасательная рукоятка на моделях СЗВТ-Э с рукояткой тройного действия, используемых для аварийной эвакуации, предназначена только для спасательных целей и не должна использоваться для позиционирования во время работы или подъема и опускания материалов.*

*СЗВТ-Э не оснащены предохранительной муфтой для ограничения сил, действующих на элементы привода и на прикрепленного человека. Избегайте провисания троса в режиме эвакуации. Кроме того, во время эвакуации следите за человеком, чтобы убедиться в том, что он не подвергается чрезмерным нагрузкам из-за непрерывного подъема после запутывания в препятствиях.*

Чтобы опустить или размотать трос, требуется минимальная нагрузка в 33,9 кг (75 фунтов). Для работы системы эвакуации требуется сила в 0,13 кН (30 фунтов) при максимальном весе пользователя.

Прекратите вращение, когда трос будет полностью вытянут или втянут. Продолжение вращения может вызвать повреждение компонентов.

**4.7 ОТКЛЮЧЕНИЕ РЕЖИМА ЭВАКУАЦИИ:** Чтобы отключить режим эвакуации, выполните приведенные ниже действия.

Когда режим эвакуации отключен, любой вытянутый трос будет втягиваться в СЗВТ. Во избежание возможных травм втяните трос перед расцеплением или держитесь за него.

1. Снимите нагрузку с троса.
2. Потяните и удерживайте фиксирующую кнопку в разблокированном положении.
3. Вытяните рукоятку, чтобы освободить ее, а затем отпустите фиксирующую кнопку.
4. Вытяните и поверните ручку лебедки на 180° в сторону корпуса СЗВТ, установив ее в исходное положение.

## 5.0 ПРОВЕРКА

Выведенное из эксплуатации средство защиты может быть возвращено в эксплуатацию только после того, как компетентное лицо подтвердит в письменной форме, что это допустимо.

- 5.1 ПЕРИОДИЧНОСТЬ ПРОВЕРКИ:** Перед каждым использованием пользователь должен проверить устройство. Кроме того, другое компетентное лицо должно проверять устройство не реже одного раза в год. В случае более частой эксплуатации оборудования в более жестких условиях могут потребоваться более частые проверки компетентными лицами. Периодичность этих проверок должна определяться компетентным лицом в соответствии с конкретными условиями на месте проведения работ.
- 5.2 ПРОЦЕДУРЫ ПРОВЕРКИ:** осмотрите изделие в соответствии с процедурами, перечисленными в *Журнале проверки и обслуживания*. Документация по каждой проверке должна вестись владельцем этого оборудования. Журнал проверки и обслуживания должен находиться рядом с изделием или иным образом находиться в доступном месте для пользователей. Рекомендуется указывать на этом изделии дату следующей или последней проверки.
- 5.3 НЕИСПРАВНОСТИ:** если изделие нельзя возвращать в эксплуатацию из-за существующей неисправности или небезопасного состояния, то его необходимо либо уничтожить, либо переслать в компанию 3М или авторизованный сервисный центр компании 3М для ремонта.
- 5.4 СРОК СЛУЖБЫ ИЗДЕЛИЯ:** срок службы изделия зависит от условий эксплуатации и качества технического обслуживания. Изделия могут находиться в эксплуатации до тех пор, пока они удовлетворяют критериям проверки.

## 6.0 ТЕХНИЧЕСКОЕ ОБСЛУЖИВАНИЕ, РЕМОНТ И ХРАНЕНИЕ

Оборудование, которое нуждается в техническом обслуживании или запланировано к техническому обслуживанию, должно иметь маркировку НЕ ИСПОЛЬЗОВАТЬ. Эти метки на оборудовании не следует снимать до тех пор, пока не будет выполнено техническое обслуживание.

- 6.1 ОЧИСТКА:** Процедура очистки средства защиты втягивающего типа описана ниже.
- Периодически очищайте наружную поверхность СЗВТ водой и мягким мыльным раствором. Размещайте СЗВТ так, чтобы могла стекать вода. При необходимости очищайте этикетки.
  - Очищайте трос мягким мыльным раствором с водой. Смойте и тщательно просушите на воздухе. Не ускоряйте сушку с помощью нагревания. Чрезмерное накопление грязи, краски и т.п. может препятствовать полному втягиванию троса в корпус, в результате чего возникает риск свободного падения. Замените трос, если имеется чрезмерное накопление грязи и т.п.
- 6.2 РЕМОНТ:** Дополнительное техническое обслуживание и ремонт необходимо выполнять в авторизованном сервисном центре. Не пытайтесь разбирать СЗВТ или смазывать любые части.
- 6.3 ХРАНЕНИЕ И ТРАНСПОРТИРОВКА.** Храните средство защиты втягивающего типа в холодном, сухом, чистом месте, защищенном от прямых солнечных лучей. Избегайте хранения в помещениях, где могут присутствовать пары химических веществ. После длительного хранения СЗВТ необходимо тщательно проверить.

## 7.0 ЭТИКЕТКИ

На рисунке 19 показаны этикетки средства защиты втягивающего типа, а также места их размещения. На СЗВТ должны присутствовать все необходимые этикетки. Если текст на этикетках не совсем разборчивый, их необходимо заменить. Содержание всех этикеток приведено ниже.

A	1. Осмотрите крюк-карабин и индикатор нагрузки. 2. Проверьте функцию блокировки устройства SRD. 3. Пристегните страховочный трос SRD к заднему кольцу крепления страховочной привязи. 4. Используйте только для вертикального подъема/опускания. Ни в коем случае не крепите СЗВТ ниже заднего спинного кольца крепления страховочной привязи. 4А. СЗВТ-ОК для острых краев необходимо для анкерного крепления на одном уровне с задним спинным кольцом крепления страховочной привязи или ниже него. 4В. Используйте только для вертикального подъема или опускания. Ни в коем случае не крепите СЗВТ ниже заднего спинного кольца крепления страховочной привязи. 5. Температурный диапазон от -40 °C до 60 °C. 6. Максимальный вес пользователя: 140 кг. 7. Контроль втягивания троса в СЗВТ. Ни в коем случае не допускайте свободного втягивание страховочного троса. 8. Работайте непосредственно под анкерным креплением устройства SRD, чтобы свести к минимуму опасность падения маятником. 9. Не подлежит ремонту. Обслуживание этого продукта должно проводиться авторизованным сервисным центром. 10. Храните устройство SRD в холодном, сухом, чистом месте, защищенном от прямых солнечных лучей. 11. Не нагружайте корпус SRD на краю. 12) Не удаляйте этикетки. 13. Прочитайте все инструкции. 14. Идентификатор уполномоченной организации. 15. Месяц следующей проверки. 16. Год следующей проверки. 17. Год и месяц изготовления. 18. Номер партии. 19. Номер модели. 20. Длина троса. 21. Серийный номер.
B	Поверните рукоятку по часовой стрелке, чтобы опустить трос. Поверните изогнутую ручку против часовой стрелки, чтобы поднять страховочный трос.
C	1. Потяните за ручку лебедки. 2. Разложите ручку лебедки в сторону от корпуса СЗВТ-Э. 3. Вытяните фиксирующую кнопку и удерживайте ее. 4) Нажмите и немного проверните изогнутую ручку по часовой стрелке. 5. Отпустите фиксирующую кнопку.

**Таблица 3 – Журнал проверки и обслуживания**

<b>Серийные номера:</b>		<b>Дата покупки:</b>	
<b>Номер модели:</b>		<b>Дата первого использования:</b>	
<b>Проверку выполнил:</b>		<b>Дата проведения проверки:</b>	
<b>Компонент</b>	<b>Проверка:</b>	<b>Пользователь</b>	<b>Компетентное лицо</b>
СЗВТ (Рис. 13)	Проверьте на предмет отсутствия ослабленных болтов, изогнутых или поврежденных деталей.	<input type="checkbox"/>	<input type="checkbox"/>
	Выполните проверку корпуса (А) на предмет деформаций, трещин и иных повреждений.	<input type="checkbox"/>	<input type="checkbox"/>
	Выполните проверку проушины вертлюга (В) на предмет деформаций, трещин и иных повреждений. Прουшина вертлюга должна быть надежно подсоединена к СЗВТ, но при этом должна свободно вращаться.	<input type="checkbox"/>	<input type="checkbox"/>
	Трос (С) должен полностью вытягиваться и втягиваться без остановок или провисания.	<input type="checkbox"/>	<input type="checkbox"/>
	Убедитесь, что устройство блокируется, если резко дернуть за трос. Блокировка должна быть жесткой, без проскальзывания.	<input type="checkbox"/>	<input type="checkbox"/>
	Все этикетки должны быть в наличии и хорошо читаться (см. рис. 19).	<input type="checkbox"/>	<input type="checkbox"/>
	Выполните осмотр всего изделия для выявления признаков коррозии.	<input type="checkbox"/>	<input type="checkbox"/>
Поворотный крюк-карабин и индикатор нагрузки (Рис. 14)	Проверьте поворотный крюк-карабин на предмет отсутствия повреждений, коррозии и на эксплуатационную пригодность. Вертлюг должен свободно вращаться. Проверьте индикатор нагрузки. Если отображается красная полоса (режим индикации), произошла динамическая перегрузка, поэтому СЗВТ необходимо вывести из эксплуатации и проверить. Не пытайтесь сбросить индикатор нагрузки. Верните СЗВТ в авторизованный сервисный центр для выполнения сброса. ПРИМЕЧАНИЕ. Вертлюг не будет свободно вращаться, если индикатор нагрузки находится в состоянии срабатывания.	<input type="checkbox"/>	<input type="checkbox"/>
Проволочный страховочный трос (Рис. 15)	Осмотрите проволочный трос на предмет наличия порезов, изломов (А), оборванных нитей (В), распушивания (С), сварочной окалины (D), коррозии, участков, поврежденных при контакте с химическими веществами, или сильно истертых участков. Оттяните амортизатор троса (Е) вверх и осмотрите зажимные устройства (F) на предмет трещин или повреждений, а канат — на наличие коррозии и разрыва нитей. Если имеются шесть или более случайно распределенных оборванных нитей в одном слое либо три или более оборванных нитей в одной пряди одного слоя, проволочный строп нуждается в замене. «Слоем» проволочного троса называется его отрезок, длина которого соответствует одному полному обороту пряди (группы нитей). Кроме того, необходимо заменить проволочный трос, если имеются оборванные нити в пределах 25 мм (1 дюйма) от зажимов.	<input type="checkbox"/>	<input type="checkbox"/>
Резервный участок троса (Рис. 16)	Проверьте резервный участок троса. Если падение было остановлено, когда была выпущена большая часть троса, то, возможно, был развернут запас троса. Вытяните трос из СЗВТ до упора. Если отображается красная полоса, это означает, что резервный участок троса израсходован и что перед повторным использованием изделие подлежит обслуживанию в авторизованном сервисном центре.	<input type="checkbox"/>	<input type="checkbox"/>
Амортизатор устройства СЗВТ-ОК (рисунок 17)	В случае со средствами защиты втягивающего типа, предназначенными для работы на острых краях, убедитесь в том, что встроенный амортизатор не был активирован. Тканевой материал не должен быть вытяннут из-под крышки (А). Крышка не должна иметь повреждений и следов срабатывания (В).	<input type="checkbox"/>	<input type="checkbox"/>
Встроенная спасательная рукоятка для эвакуации (рисунок 18)	Проверьте рукоятку (А) на предмет деформации и других повреждений. Убедитесь в возможности раскладывания ручки лебедки (В) и ее фиксации в рабочем положении.	<input type="checkbox"/>	<input type="checkbox"/>
	Убедитесь в том, что фиксирующую кнопку для эвакуации (С) можно вытянуть, установить в разблокированное положение, а затем отпустить, блокируя рукоятку спасательного подъемного устройства в положениях сцепления и расцепления.	<input type="checkbox"/>	<input type="checkbox"/>
	Проверьте надлежащую работу функции эвакуации, поднимая и опуская испытательный груз весом не менее 34 кг (75 фунтов). Если отпустить ручку лебедки, груз не должен двигаться, а ручка лебедки должна оставаться в зафиксированном положении (без движения). При подъеме груза должен быть слышен «щелкающий» звук.	<input type="checkbox"/>	<input type="checkbox"/>
<b>Корректирующие действия / техническое обслуживание:</b>	Утвердил:	Дата следующей проверки:	
	Дата:		
<b>Корректирующие действия / техническое обслуживание:</b>	Утвердил:	Дата следующей проверки:	
	Дата:		
<b>Корректирующие действия / техническое обслуживание:</b>	Утвердил:	Дата следующей проверки:	
	Дата:		
<b>Корректирующие действия / техническое обслуживание:</b>	Утвердил:	Дата следующей проверки:	
	Дата:		
<b>Корректирующие действия / техническое обслуживание:</b>	Утвердил:	Дата следующей проверки:	
	Дата:		
<b>Корректирующие действия / техническое обслуживание:</b>	Утвердил:	Дата следующей проверки:	
	Дата:		
<b>Корректирующие действия / техническое обслуживание:</b>	Утвердил:	Дата следующей проверки:	
	Дата:		
<b>Корректирующие действия / техническое обслуживание:</b>	Утвердил:	Дата следующей проверки:	
	Дата:		



## BEZPEČNOSTNÉ INFORMÁCIE

Pred použitím tohto zariadenia si prečítajte všetky bezpečnostné informácie zahrnuté v tomto návode, porozumejte im a dodržiavajte ich. **POKIAĽ TAK NEUČINÍTE, MÔŽE DÔJSŤ K VÁŽNEMU ZRANENIU ALEBO SMRTI.**

Tieto pokyny sa musia dodať používateľovi tohto zariadenia. Tieto si pokyny ponechajte ako referenciu pre budúcnosť.

### Účel použitia:

Toto zariadenie sa používa ako súčasť kompletného systému ochrany proti pádu.

Akékoľvek iné využívanie zariadenia vrátane využitia na manipuláciu s materiálom, na rekreačné alebo na iné činnosti súvisiace so športom alebo na iné činnosti, ktoré nie sú popísané v tomto návode, nie sú schválené spoločnosťou 3M a mohli by spôsobiť vážne zranenie alebo smrť.

Toto zariadenie je určené len na použitie na pracovisku zaškolenými používateľmi.



### VAROVANIE

Toto zariadenie sa používa ako súčasť kompletného systému ochrany proti pádu. Všetci používatelia musia byť plne zaškolení na bezpečnú inštaláciu a obsluhu svojho kompletného systému ochrany pred pádom. **Nesprávne použitie tohto zariadenia by mohlo spôsobiť vážne zranenie alebo smrť.** Informácie o správnom výbere, prevádzke, inštalácii, údržbe a servise sa dozviete vo všetkých návodoch na používanie a odporúčaniach výrobcu. O ďalšie informácie požiadajte svojho nadriadeného alebo technické služby spoločnosti 3M.

- **Na zníženie rizík spojených s používaním samonavijacieho zariadenia, ktoré, ak sa im nezabráni, by mohli spôsobiť vážne zranenie alebo smrť:**
  - Pred každým použitím a po každom páde skontrolujte zariadenie v súlade s postupmi uvedenými v týchto pokynoch.
  - Ak sa pri kontrole zistí, že stav zariadenia nie je bezpečný alebo je chybný, prestaňte zariadenie okamžite používať a označte ho zreteľným nápisom „NEPOUŽÍVAŤ“. Zariadenie zničte alebo opravte podľa požiadaviek týchto pokynov.
  - Akékoľvek zariadenie, ktoré bolo použité na zachytenie pádu alebo čelilo sile dopadu, je nutné okamžite prestať používať. Zariadenie zničte alebo opravte podľa požiadaviek týchto pokynov.
  - Dbajte na to, aby systémy na ochranu proti pádu zostavené zo súčastí vyrobených rôznymi výrobcami, boli kompatibilné a aby spĺňali všetky platné nariadenia, normy alebo požiadavky týkajúce sa ochrany proti pádu. Pred používaním týchto systémov sa vždy poraďte s kompetentnou alebo kvalifikovanou osobou.
  - Chráňte záchranné lano pred všetkými nebezpečenstvami, ako napríklad: omotanie lana okolo používateľov, iných pracovníkov, pohybujúcich sa strojov, iných okolitých predmetov alebo nárazy predmetov nad hlavou, ktoré by mohli spadnúť na záchranné lano alebo používateľov.
  - Záchranné lano nekrúťte, neuzlujte, nezávazujte a dbajte na to, aby nedochádzalo k jeho previsnutiu.
  - Vyhňte sa nebezpečenstvu zakopnutia o časti záchranného lana. Ak je záchranné lano vybavené prvkami na uchytie lana, nevyužité časti k nim pripevnite.
  - Neprekračujte stanovený maximálny počet používateľov uvedený v tomto návode.
  - Nepoužívajte v prípadoch, keď je prekážka v dráhe pádu. Na zablokovanie samonavijacieho zariadenia je potrebná voľná dráha. Pri práci na pomaly sa posúvajúcim materiáli, (napr. piesok alebo zrno), alebo v stiesnených alebo obmedzených priestoroch, sa pracovníkovi nemusí podariť dosiahnuť dostatočnú rýchlosť na to, aby sa samonavijacie zariadenie zablokovalo.
  - Vyhýbajte sa náhlým alebo rýchlym pohybom počas prevádzky, pretože to môže spôsobiť neúmyselné zablokovanie samonavijacieho zariadenia.
  - Dávajte pozor pri inštalácii, používaní a pohybe zariadenia, pretože pohyblivé časti môžu vytvoriť body zovretia.
  - Ak sa záchranné lano môže dostať do kontaktu s ostrými hranami alebo drsnými povrchmi, použite vhodnú ochranu hrán.
  - Ak bolo zariadenie použité pri zostupe, okamžite ho vyradte z prevádzky.
  - Pred použitím sa uistite, že dráha zostupu a miesta pristátia sú bez prekážok alebo nebezpečenstiev.
  - Uistite sa, že je zariadenie správne nakonfigurované a nainštalované pre bezpečnú prevádzku, ako je opísané v týchto pokynoch.
- **Na zníženie rizík spojených s prácou vo výškach, ktoré, ak sa tomu nezabráni, by mohli spôsobiť vážne zranenie alebo smrť:**
  - Váš zdravotný a fyzický stav vám musí umožniť bezpečnú prácu vo výške a odolať všetkým silám spojeným s prípadom zachytenia pádu. Poradte sa so svojím lekárom, ak máte akékoľvek otázky, ktoré sa týkajú vašej schopnosti používať toto vybavenie.
  - Nikdy neprekračujte povolenú kapacitu vášho ochranného vybavenia proti pádu.
  - Nikdy neprekračujte maximálnu vzdialenosť voľného pádu určenú pre vaše ochranné vybavenie proti pádu.
  - Nepoužívajte žiadne ochranné vybavenie proti pádu, ktoré neprešlo kontrolou, alebo ak máte obavy o používanie alebo vhodnosť vybavenia. S akýmikoľvek otázkami sa obráťte na oddelenie technického servisu spoločnosti 3M.
  - Niektoré kombinácie podsystemov a dielov môžu zasahovať do prevádzky tohto zariadenia. Používajte iba kompatibilné spojenia. Pri používaní tohto vybavenia v kombinácii s inými komponentmi alebo subsystémami, ktoré nie sú popísané v tomto návode, sa poraďte s technickými službami spoločnosti 3M.
  - Pri práci v okolí pohybujúcich sa strojov, elektrických rizík, extrémnych teplôt, chemických rizík, výbušných alebo toxických plynov, ostrých hrán, drsných povrchov alebo pod zavesenými predmetmi, ktoré by mohli spadnúť na vás alebo na vaše vybavenie na ochranu proti pádu, použite mimoriadne bezpečnostné a preventívne opatrenia.
  - Uistite sa, že vaše zariadenie je klasifikované pre riziká, ktoré hrozia vo vašom pracovnom prostredí.
  - Pri práci vo výške zabezpečte bezpečnú výšku ukotvenia.
  - Nikdy neupravujte ani nemeňte vaše ochranné vybavenie proti pádu. Opravy tohto vybavenia môžu vykonávať iba pracovníci spoločnosti 3M alebo osoby písomne oprávnené spoločnosťou 3M.
  - Pred použitím ochranného vybavenia proti pádu sa uistite, že existuje písomný plán záchran, ktorý zabezpečí rýchlu záchranu v prípade pádu.
  - Ak dôjde k pádu, pre pracovníka, ktorý spadol, okamžite zabezpečte lekársku pomoc.
  - Na zachytenie pádu používajte len celotelový postroj. Nepoužívajte telový pás.
  - Minimalizujte riziko kyvadlového pádu tým, že budete podľa možnosti pracovať v rovine pod bodom ukotvenia.
  - Pri absolvovaní školenia zameraného na prácu s týmto zariadením sa musí používať sekundárny systém ochrany proti pádu. Školené osoby nesmú byť vystavené neúmyselnému nebezpečenstvu pádu.
  - Pri inštalácii, používaní alebo kontrole produktu/systému noste vždy náležité osobné ochranné prostriedky.
  - Nikdy nepracujte pod zaveseným nákladom alebo pracovníkom.
  - Vždy používajte 100 % istenie.

Pred použitím tohto zariadenia zaznamenajte informácie o identifikácii výrobu z identifikačného štítku do záznamu o kontrole a údržbe vzadu v tomto návode.

Vždy sa uistite, že používate najnovšiu verziu používateľskej príručky od spoločnosti 3M. Ak chcete získať aktuálne používateľské príručky, navštívte webové stránky spoločnosti 3M alebo sa obráťte na technickú podporu spoločnosti 3M.


## OPIS:

Obrázok 2 identifikuje kľúčové komponenty samonavíjajúcich zariadení (SRD) Protecta Rebel. Samonavíjacie zariadenia (SRD) Rebel sú drôtené záchranné laná (A), ktoré sa navíjajú na bubon a vŕhajú sa do termoplastického alebo hliníkového puzdra (B). Môžu visieť z ukotvenia na karabíne, ktorá je pripojená cez otočné oko (C) na vrchnej časti samonavíjacieho zariadenia (SRD). Samozaistovacie zaskakovací hák (D) na konci záchranného lana sa pripojí k označenému pripojeniu na ochranu pred pádom na celotelovom postroji. Tlmič (E) chráni drôtené lano a ochranné krúžky, ktoré zaisťujú zaskakovací hák, proti oderu a korózii.


Obrázok 1 definuje modely samonavíjajúcich zariadení (SRD) Rebel, ktorých sa týka tento návod na používanie. K dispozícii sú tieto typy samonavíjajúcich zariadení (SRD):

- **Samonavíjacie zariadenie (obrázok 2A):** Samonavíjacie zariadenia (SRD) sú vhodné pre aplikácie, kde záchranné lano pri použití ostáva v zásade vertikálne a možný voľný pád je obmedzený na 0,6 m (2 stopy).
- **Samonavíjacie zariadenie s vodiacim okrajom (obrázok 2B):** Samonavíjacie zariadenia s vodiacim okrajom (SRD-LE) sú vhodné pre aplikácie, kde záchranné lano pri použití ostáva v zásade horizontálne a možný voľný pád je obmedzený 1,5 m (5 stôp). Samonavíjacie zariadenia s vodiacim okrajom (SRD-LE) majú integrovaný pohlcovač energie (F) alebo podobný komponent, aby vydržali vplyv zaťaženia záchranného lana pri páde cez ostrý alebo drsný okraj a aby minimalizovali sily pôsobiace na používateľa pri zachytení pádu.
- **Samonavíjacie zariadenie so záchranou (obrázok 2C):** Samonavíjacie zariadenia so záchranou (SRD-R) obsahujú integrálne prostriedky na asistovanú záchranu zdvihnutím alebo spustením zachraňovaného subjektu. Samonavíjacie zariadenia so záchranou (SRD-R) sú vybavené 3-cestnou záchrannou vyťahovacou ručnou kľukou (G). Niektoré modely môžu obsahovať montážnu konzolu na trojnožku (H), ktorá slúži na montáž samonavíjacieho zariadenia so záchranou (SRD-R) na trojnožku pri aplikáciách v stiesnených priestoroch.

**Tabuľka 1 – Špecifikácie**

 Polovice obalu	Materiál
9508320 + 9520047	Hliník – 15 m (50 stôp) Samonavíjacie zariadenia so záchranou (SRD-R)
9511070 + 9511071	Termoplast – 6 m (20 stôp) Samonavíjacie zariadenia (SRD), 10 m (33 stôp) Samonavíjacie zariadenia (SRD) a 6 m (20 stôp) Samonavíjacie zariadenia s vodiacim okrajom (SRD-LE)
9520021 + 9520022	Hliník – 6 m (20 stôp) a 10 m (33 stôp) Samonavíjacie zariadenia (SRD)
9520044 + 9520045	Termoplast – 15 m (50 stôp) Samonavíjacie zariadenia (SRD) a 10 m (33 stôp) Samonavíjacie zariadenia s vodiacim okrajom (SRD-LE)
9520046 + 9520047	Hliník – 15 m (50 stôp) Samonavíjacie zariadenia (SRD)
9520056 + 9520057	Termoplast – 20 m (66 stôp), 25 m (82 stôp), 30 m (100 stôp) Samonavíjacie zariadenia (SRD)
9520058 + 9520059	Hliník – 20 m (66 stôp), 25 m (82 stôp) a 30 m (100 stôp) Samonavíjacie zariadenia (SRD)

 Záchranné lano	Opis	Hák
9501087 + 2000175	5,56 mm (7/32 palca) drôtené lano z galvanizovanej ocele, samozaistovacie zaskakovací otočný hák z legovanej ocele s indikátorom.	2000175
9501479 + 2000175	4,76 mm (3/16 palca) drôtené lano z galvanizovanej ocele, samozaistovacie zaskakovací otočný hák z legovanej ocele s indikátorom.	2000175
9501613 + 2000170	4,76 mm (3/16 palca) drôtené lano z nehrdzavejúcej ocele, samozaistovacia otočná karabína z nehrdzavejúcej ocele s indikátorom.	2000170
9501613 + 2000175	4,76 mm (3/16 palca) drôtené lano z nehrdzavejúcej ocele, samozaistovacie zaskakovací otočný hák z legovanej ocele s indikátorom.	2000175
9501613 + 2100044	4,76 mm (3/16 palca) drôtené lano z nehrdzavejúcej ocele, samozaistovacie zaskakovací otočný hák z nehrdzavejúcej ocele s indikátorom.	2100044

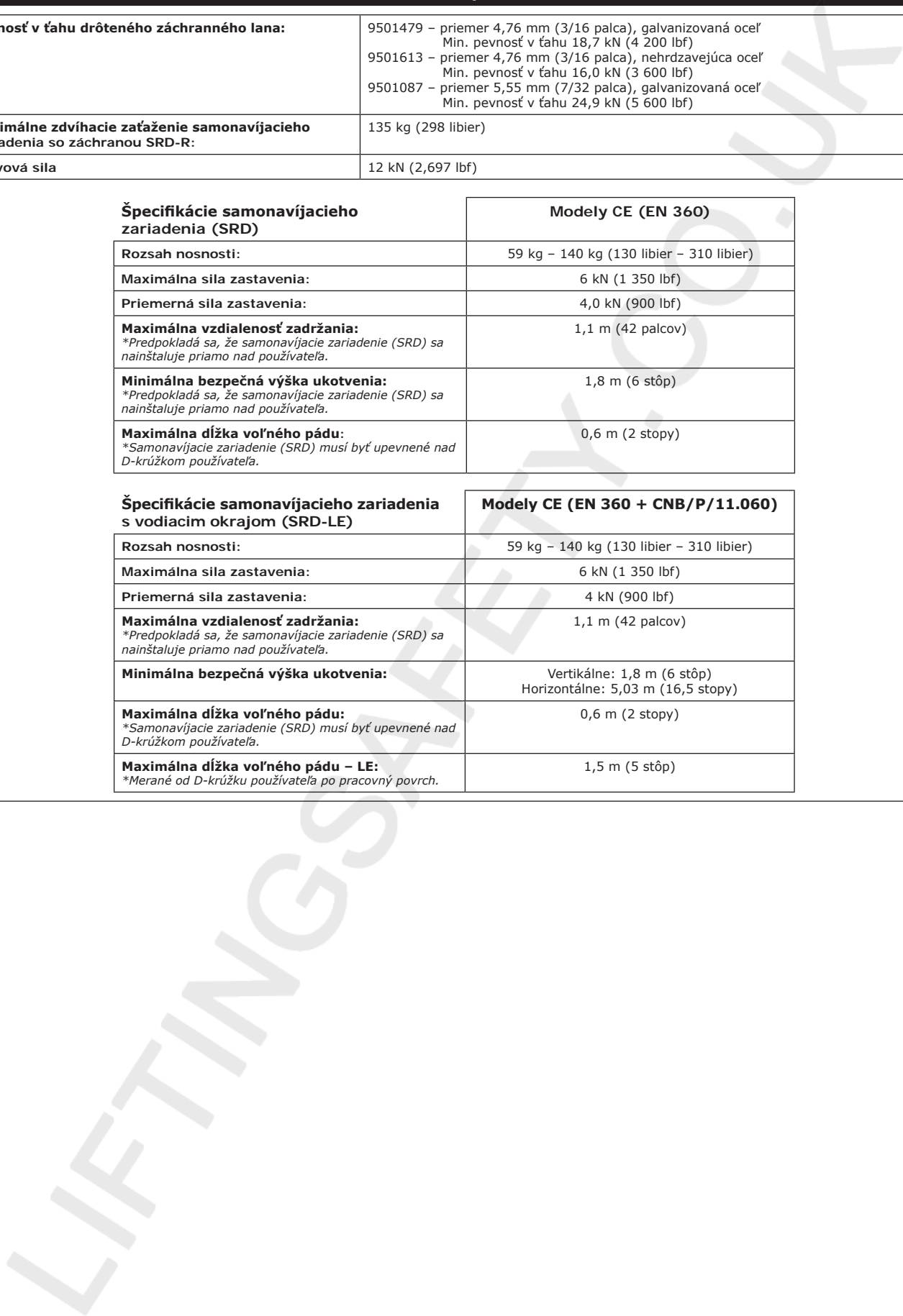
Hák	Opis	Materiál	Sila uzáveru	Veľkosť otvoru
2000170	Otočná samozaistovacia karabína s indikátorom rázu	Nehrdzavejúca oceľ	16 kN (3 600 lbf)	1,9 cm (0,75 palca)
2000175	Otočný samozaistovacie zaskakovací hák s indikátorom rázu	Pozinkovaná oceľ	16 kN (3 600 lbf)	1,9 cm (0,75 palca)
2100044	Otočný samozaistovacie zaskakovací hák s indikátorom rázu	Nehrdzavejúca oceľ	16 kN (3 600 lbf)	1,9 cm (0,75 palca)

**Tabuľka 1 – Špecifikácie**

<b>Pevnosť v ťahu drôteného záchranného lana:</b>	9501479 – priemer 4,76 mm (3/16 palca), galvanizovaná oceľ Min. pevnosť v ťahu 18,7 kN (4 200 lbf) 9501613 – priemer 4,76 mm (3/16 palca), nehrdzavejúca oceľ Min. pevnosť v ťahu 16,0 kN (3 600 lbf) 9501087 – priemer 5,55 mm (7/32 palca), galvanizovaná oceľ Min. pevnosť v ťahu 24,9 kN (5 600 lbf)
<b>Maximálne zdvíhacie zaťaženie samonavijacieho zariadenia so záchranou SRD-R:</b>	135 kg (298 libier)
<b>Kotvová sila</b>	12 kN (2,697 lbf)

<b>Špecifikácie samonavijacieho zariadenia (SRD)</b>	<b>Modely CE (EN 360)</b>
<b>Rozsah nosnosti:</b>	59 kg – 140 kg (130 libier – 310 libier)
<b>Maximálna sila zastavenia:</b>	6 kN (1 350 lbf)
<b>Priemerná sila zastavenia:</b>	4,0 kN (900 lbf)
<b>Maximálna vzdialenosť zadržania:</b> <i>*Predpokladá sa, že samonavijacie zariadenie (SRD) sa nainštaluje priamo nad používateľa.</i>	1,1 m (42 palcov)
<b>Minimálna bezpečná výška ukotvenia:</b> <i>*Predpokladá sa, že samonavijacie zariadenie (SRD) sa nainštaluje priamo nad používateľa.</i>	1,8 m (6 stôp)
<b>Maximálna dĺžka voľného pádu:</b> <i>*Samonavijacie zariadenie (SRD) musí byť upevnené nad D-krúžkom používateľa.</i>	0,6 m (2 stopy)

<b>Špecifikácie samonavijacieho zariadenia s vodiacim okrajom (SRD-LE)</b>	<b>Modely CE (EN 360 + CNB/P/11.060)</b>
<b>Rozsah nosnosti:</b>	59 kg – 140 kg (130 libier – 310 libier)
<b>Maximálna sila zastavenia:</b>	6 kN (1 350 lbf)
<b>Priemerná sila zastavenia:</b>	4 kN (900 lbf)
<b>Maximálna vzdialenosť zadržania:</b> <i>*Predpokladá sa, že samonavijacie zariadenie (SRD) sa nainštaluje priamo nad používateľa.</i>	1,1 m (42 palcov)
<b>Minimálna bezpečná výška ukotvenia:</b>	Vertikálne: 1,8 m (6 stôp) Horizontálne: 5,03 m (16,5 stopy)
<b>Maximálna dĺžka voľného pádu:</b> <i>*Samonavijacie zariadenie (SRD) musí byť upevnené nad D-krúžkom používateľa.</i>	0,6 m (2 stopy)
<b>Maximálna dĺžka voľného pádu – LE:</b> <i>*Merané od D-krúžku používateľa po pracovný povrch.</i>	1,5 m (5 stôp)



## 1.0 APLIKÁCIE

- 1.1 ÚČEL:** 3M samonavíjacie zariadenia (SRD) sú navrhnuté ako súčasť osobného systému ochrany proti pádu (PFAS). Obrázok 1 zobrazuje SRL, na ktoré sa vzťahuje táto príručka a ich typické aplikácie. Môžu byť použité vo väčšine situácií, keď sa požaduje kombinácia mobility pracovníkov a ochrany proti pádu (t. j. kontrolné práce, všeobecné stavebné práce, údržbárske práce, ťažba ropy, práce v stiesnených priestoroch a pod.).
- 1.2 ŠTANDARDY:** Vaše SRD je v súlade národnými alebo regionálnymi štandardmi, ktoré sú uvedené na prednom obale týchto pokynov. Pokiaľ sa tento výrobok predáva mimo pôvodnej cieľovej krajiny, predávajúci musí poskytnúť tieto pokyny v jazyku krajiny, v ktorom sa výrobok bude používať.
- 1.3 ŠKOLENIE:** Toto zariadenie je určené na použitie osobami vyškolenými v jeho správnom použití a využití. Je zodpovednosťou používateľa zabezpečiť, že je oboznámený s týmito pokynmi a je školený v správnej starostlivosti a používaní tohto zariadenia. Používatelia musia byť informovaní o prevádzkových vlastnostiach, aplikačných obmedzeniach a následkoch nesprávneho použitia.
- 1.4 OBMEDZENIA:** Pri inštalácii alebo používaní tohto zariadenia vždy zvážte nasledujúce obmedzenia a požiadavky:

- **Kapacita:** Toto zariadenie SRD bolo testované s ohľadom na súlad na používanie jednou osobou s kombinovanou záťažou (oblečenie, nástroje atď.) od 59 kg (130 libier) do 140 kg (310 libier).<sup>1</sup> Uistite sa, či sú všetky komponenty vášho systému normované na príslušnú nosnosť pre vašu aplikáciu.
- **Ukotvenie:** Požiadavky na ukotvenie sa môžu líšiť v závislosti od aplikácie ochrany proti pádu. Konštrukcia, na ktorej bude umiestnený alebo namontovaný ukotvovací konektor, musí spĺňať špecifikácie pre kotvenie definované v tabuľke 1.
- **Blokovacia rýchlosť:** Je nevyhnutné vylúčiť možnosť pádu po dráhe bez prekážok. Pri práci v uzavretých a stiesnených priestoroch nie je dovolené, aby telo dosiahlo rýchlosti dostatočné na aktivovanie blokovania zariadenia SRD, ak dôjde k pádu. Pri práci na pomaly sa pohybujúcom materiáli, napríklad na piesku alebo obilí, nemusí byť dosahovaná rýchlosť dostatočná, aby spôsobila blokovanie zariadenia SRD. Na spoľahlivé zablokovanie SRD je potrebná voľná dráha.
- **Voľný pád:** Správne používanie zariadenia SRD s použitím vrchnej aplikácie minimalizuje vzdialenosť voľného pádu. Na predchádzanie zvýšenej vzdialenosti voľného pádu dodržiavajte pokyny vedené nižšie:
  - Nikdy neupínajte, neuzlíte ani inak nebráňte záchrannému lanu, aby sa vťahlo alebo zostalo napnuté.
  - Vyhybajte sa akémukoľvek povoleniu napnutia v záchrannom lane zariadenia SRD.
  - Nepracujte nad úrovňou vášho kotvenia.
  - Nepredlžujte zariadenia SRD pripájaním lán alebo podobných komponentov bez konzultácie so spoločnosťou 3M.

Špecifické informácie o jednotlivých produktoch súvisiace s hodnotami voľného pádu a požiadaviek na priestor sa uvádzajú v tabuľke 1 týchto pokynov.

- **Pády kvôli výkyvu:** K pádom kvôli výkyvu dochádza, ak nie je bod ukotvenia priamo nad miestom, kde dôjde k pádu. Sila nárazu do predmetu pri páde z výkyvu môžu spôsobiť ťažké zranenie (pozri obrázok 3A). Minimalizujte riziko výkyvu pri páde tým, že budete pracovať čo najbližšie pod bodom ukotvenia (obrázok 3B). Práca mimo kotviaceho bodu (obrázok 3C) zvýši dôsledky pádu v dôsledku výkyvu a zvýši požadovaný priestor pre voľný pád (FC).
- **Výška pádu:** Obrázok 3B znázorňuje výpočet priestoru pre voľný pád. Priestor pre voľný pád (FC) je súčet voľného pádu (FF), spomaľovacej vzdialenosti (DD) a bezpečnostného faktora (SF):  $FC = FF + DD + SF$ . Posun krúžka D a napnutie postroja sú zahrnuté v bezpečnostnom faktore. Hodnoty priestoru pre voľný pád sú vypočítané a sú uvedené na obrázku 4. Bezpečnostný faktor 1 m (3,28 stopy) bol použitý pre všetky hodnoty na obrázku 4.

Obrázky 3A a 3B znázorňujú výšku pádu. Pre pády zo stojacej polohy, kde je zariadenie SRD ukotvené priamo nad hlavou (obrázok 3B), majú mať systémy SRD na ochranu proti pádu minimálnu výšku pádu uvedenú v tabuľke 1. Pre pády z kľáčickej alebo skrčenej polohy bude potrebný ďalší 1 m (3 stopy) k výške pádu. V prípade pádu kvôli výkyvu (obrázok 3C), bude celková vertikálna vzdialenosť pádu väčšia, ako keby používateľ spadol priamo pod bodom ukotvenia môže vyžadovať ďalšiu prídavnú výšku pádu. Obrázok 4 a sprievodná tabuľka definujú maximálny pracovný polomer (C) pre rôzne výšky ukotvenia zariadenia SRD (A) a výšku pádu (B). Odporúčaná pracovná zóna je obmedzená na oblasť, ktorá sa nachádza v maximálnom pracovnom polomere.

- **Riziká:** Používanie tohto zariadenia v priestoroch s environmentálnymi rizikami si môže vyžadovať ďalšie bezpečnostné opatrenia, aby sa znížilo nebezpečenstvo úrazu alebo poškodenia zariadenia. Riziká môžu okrem iného zahŕňať: vysoké teplo, žieravé chemikálie, korozívne prostredia, vedenia vysokého napätia, výbušné alebo toxické plyny, pohybujúce sa stroje alebo materiály, ktoré môžu spadnúť a zasiahnuť používateľa alebo systém ochrany proti pádu. Vyhybajte sa práci, kde sa vaše záchranné lano môže krížiť alebo preplieť s iným objektom alebo pracovníkom. Vyhybajte sa práci na miestach, kde môže nastať pád predmetu, ktorý zasiahne záchranné lano, čo má za následok stratu rovnováhy alebo poškodenie záchranného lana. Počas používania nedovoľte, aby záchranné lano prechádzalo pod pažou alebo medzi nohami.
- **Ostré hrany:** Vyvarujte sa práci v prostredí, kedy je záchranné lano v kontakte alebo sa obrušuje o nechránené ostré hrany. Keď nie je možné vyhnúť sa kontaktu s ostrou hranou, zakryte ju ochranným materiálom.

## 2.0 POUŽITIE

- 2.1 ZÁCHRANNÝ PLÁN:** Pri použití tohto zariadenia musí mať zamestnávateľ pripravený záchranný plán a prostriedky na jeho implementáciu a musí ho oznámiť používateľom, autorizovaným osobám a záchranárom.

<sup>1</sup> **Kapacita:** Zariadenia SRD s 3-cestným zdvihom sú vyrábané na maximálnu záťaž zdvíhu 135 kg (298 libier).

- 2.2 INTERVALY KONTROLY:** Zariadenia SRD musí kontrolovať autorizovaná osoba<sup>1</sup> alebo záchranár<sup>2</sup> pred každým použitím (pozri tabuľku 2). Okrem toho, kontroly musí robiť kompetentná osoba<sup>3</sup> iná, ako užívateľ a v intervaloch, nie častejšie ako raz za rok. Extrémne pracovné podmienky (drsné prostredie, dlhodobé používanie, atď.) si môžu vyžadovať častejšie kontroly kompetentnou osobou. Kontrolné postupy sú popísané v „zázname o kontrole a údržbe“ (tabuľka 3). Výsledky kontroly kompetentnou osobou sa musia zaznamenať do „záznamu o kontrole a údržbe“ alebo zaznamenať pomocou systému RFID.
- 2.3 NORMÁLNA PREVÁDZKA:** Normálna prevádzka umožní odvinutie celej dĺžky záchranného lana a jeho navinutie, bez váhania a bez toho, aby bolo povolené, tak ako sa pracovník pohybuje normálnou rýchlosťou. Ak dôjde k pádu, aktivuje sa brzdový systém snímania rýchlosti, ktorý zastaví pád a pohltí väčšinu vzniknutej energie. Počas normálnej prevádzky by ste sa mali vyhýbať náhlým alebo rýchlym pohybom, pretože môžu spôsobiť zablokovanie SRD. Pre prípad pádov, ku ktorým dôjde na konci dosahu lana, bol začlenený rezervný systém záchranného lana alebo absorber energie na zníženie síl pri zachytení pádu. Ak bolo zariadenie SRD vystavené silám pri zachytení pádu: odstráňte ho z prevádzky, označte ho štítkom „NEPOUŽITELNÉ“, skontrolujte ho a opravte, tak ako je uvedené v pokynoch v častiach 5 a 6.
- 2.4 PODPORA TELA:** So samonavíjacím zariadením sa musí používať celotelový postroj. Bod pripojenia postroja sa musí nachádzať nad ťažiskom používateľa. Telový pás nie je autorizovaný na používanie so samonavíjacím zariadením. Ak dôjde k pádu pri použití telového pásu, môže to spôsobiť neúmyselné uvoľnenie alebo fyzickú traumu kvôli nesprávnej podpore tela.
- 2.5 KOMPATIBILITA KOMPONENTOV:** Ak sa výslovne neuvádza iné, 3M zariadenia sú navrhnuté len na použitie s komponentmi a subsystémami schválenými spoločnosťou 3M. Výmeny alebo náhrady vykonané použitím neschválených dielov alebo subsystémov môžu ohroziť kompatibilitu zariadení a môžu znížiť bezpečnosť a spoľahlivosť celého systému. Dodržiavajte pokyny od výrobcu pre súvisiace komponenty a podsystémy vášho osobného systému ochrany proti pádu.
- 2.6 KOMPATIBILITA KONEKTOROV:** Konektory sa považujú za kompatibilné so spojovacími prvkami, keď boli navrhnuté tak, aby spolupracovali takým spôsobom, že ich rozmery a tvary nespôsobujú neúmyselné otvorenie ich mechanizmov uzáveru bez ohľadu na to, ako sú orientované. Ak máte akékoľvek otázky ohľadom kompatibility, obráťte sa na spoločnosť 3M.
- Konektory, ktoré sa používajú na zavesenie zariadenia SRD musia byť v súlade s normou EN362. Konektory musia byť kompatibilné s ukotvením a s inými komponentmi systému. Nepoužívajte zariadenie, ktoré nie je kompatibilné. Nekompatibilné konektory sa môžu neúmyselne odpojiť (pozri obrázok 5). Konektory musia byť kompatibilné veľkosťou, tvarom a pevnosťou. Požadujú sa samozamykacie háky a karabíny. Ak je spojovací prvok, ku ktorému sa pripája hák alebo karabína poddimenzovaný alebo má nepravidelný tvar, môže nastať situácia, pri ktorej spojovací prvok vyvíja silu na uzáver háku alebo karabíny (A). Táto sila môže spôsobiť otvorenie uzáveru (B), čo umožní odpojenie háku alebo karabíny od spojovacieho prvku (C).
- 2.7 SPÁJANIE:** Háky a karabíny používané s týmto zariadením musia byť samozamykacie. Skontrolujte, či sú všetky pripojenia kompatibilné veľkosťou, tvarom a pevnosťou. Nepoužívajte zariadenie, ktoré nie je kompatibilné. Uistite sa, že všetky konektory sú úplne zatvorené a zamknuté. 3M konektory, (zaskakovacie háky a karabíny), sú navrhnuté na použitie len podľa špecifikácií, ktoré sú uvedené v návode na používanie každého výrobku. Pozrite si obrázok 6, kde nájdete príklady nesprávneho pripájania. Háky a karabíny nepripájajte:
- K D-krúžku, ku ktorému je pripojený iný konektor.
  - Spôsobom, ktorý bude mať za následok zaťaženie uzáveru. Zaskakovacie háky s veľkým otvorom by sa nemali pripájať k D-krúžkom štandardnej veľkosti ani k podobným predmetom, čo bude mať za následok zaťaženie otvoru, ak sa hák alebo D-krúžok skrúti alebo otočí, ak nie je zaskakovací hák vybavený otvorom na zaťaženie 3 600 (16 kN) libier. Skontrolujte značenie na háku, aby ste overili, či je vhodné na vaše použitie.
  - Pri falošnom zapojení, kde prvky vyčnievajú zo zaskakovacieho háku alebo z karabíny sa zachytávajú o ukotvenie a bez vizuálneho potvrdenia sa zdá, že sú plne pripojené ku kotviacemu bodu.
  - Jeden k druhému.
  - Priamo k popruhovej tkanine alebo lanu alebo k spätnému previazaniu (pokiaľ pokyny výrobcu, aj pre lano, aj pre konektor, vyslovene nepovoľujú takýto spôsob spojenia).
  - K akémukoľvek predmetu, ktorý má tvar alebo rozmery, ktoré neumožňujú zatvorenie a zamknutie háku alebo karabíny alebo ktoré by mohli spôsobiť uvoľnenie.
  - Spôsobom, ktorý neumožňuje správne zarovnanie konektora, keď je pod zaťažením.

Tabuľka 2 – Harmonogram kontrol

Typ použitia	Príklady aplikácie	Podmienky použitia	Interval kontroly
			Kompetentná osoba
Nepravidelné až mierne	Záchrana a stiesnené priestory, údržba továrne	Dobré podmienky skladovania, vnútorné alebo nepravidelné vonkajšie použite, izbová teplota, čisté prostredie	Ročne
Stredné až náročné	Preprava, bytová výstavba, verejnoprospešné služby, sklad	Priemerné podmienky skladovania, vonkajšie a dlhšie vonkajšie použitie, všetky teploty, čisté alebo prašné prostredia	Polročne až ročne
Ťažké až nepretržité	Obchodná výstavba, ťažba ropy a plynu, dolovanie	Drsné podmienky skladovania, dlhé alebo nepretržité vonkajšie použitie, všetky teploty, špinavé prostredie	Štvrťročne až polročne

- 1 Autorizovaná osoba:** Osoba poverená zamestnávateľom vykonávať úlohy na mieste, na ktorom bude táto osoba vystavená nebezpečenstvu pádu.
- 2 Záchranár:** Osoba alebo osoby iné ako subjekt záchrany, ktoré prevádzkovaním záchranného systému vykonávajú asistovanú záchranu.
- 3 Kompetentná osoba:** Jednotlivec určený zamestnávateľom, ktorý je zodpovedný za okamžitý dohľad, implementáciu a monitorovanie programu ochrany proti pádu spravovaného zamestnávateľom a vďaka školeniu a vedomostiam je schopný identifikovať, vyhodnotiť a vyriešiť existujúce alebo potenciálne nebezpečenstvá pádu, a má oprávnenie od zamestnávateľa vykonávať rýchle nápravné opatrenia s ohľadom na tieto nebezpečenstvá.

**2.8**

**SAMONAVÍJACIE ZARIADENIA S VODIACIM OKRAJOM (SRL-LE):** Medzi samonavíjacie zariadenia SRD, ktorých sa týka tento návod na použitie, patria samonavíjacie zariadenia s vodiacim okrajom (SRL-LE). Pozri obrázok 1, kde sú špecifické modely SRL-LE. Zariadenia SRL-LE boli testované pre horizontálne použitie a pády cez ocelový okraj bez ostrín. Zariadenia SRL-LE sa môžu použiť v situáciách, keď môže nastať pád cez ocelové okraje, ktoré je možné nájsť na ocelových tvaroch alebo kovových krytoch.

**Preventívne a bezpečnostné opatrenia vodiaceho okraja:** Pri použití zariadení SRL-LE dodržiavajte tieto preventívne a bezpečnostné opatrenia:

- Prípustný uhol zmeny smeru časti záchranného lana zariadenia SRL-LE na okraji, cez ktorý môže nastať pád, (meraný medzi danými dvoma stranami vytvorenými presmerovaným záchranným lanom), musí byť minimálne 90 stupňov (pozrite si Obrázok 7).
- Bod ukotvenia bude umiestnený v rovnakej výške, ako je okraj cez ktorý môže nastať pád alebo nad príslušným okrajom. Body ukotvenia pod hranou sú nebezpečné, pretože spôsobia, že sa záchranné lano napne pod uhlom ostrejším ako 90 stupňov (pozri Obrázok 7).
- Pozrite si Časť 1, kde sú uvedené obmedzenia prípustného pracovného priestoru vzhľadom na bod ukotvenia vrátane faktorov, ako sú kyvadlový pád a oder na hrane, ako aj použitie jedného kotviaceho bodu v porovnaní s ukotvením, ktoré umožňuje horizontálny pohyb (napr. horizontálne záchranné lano alebo horizontálna tyč).
- Zariadenia SRL-LE sa môžu použiť s horizontálnym záchranným lanom alebo s horizontálnou tyčou len podľa pokynov v návode k výrobku pre horizontálne lano alebo horizontálnu tyč.
- Nepracujte na druhej strane otvoru, ktorá je na opačnej strane upevňovacieho bodu SRL-LE.
- V prípade pádu cez okraj sa môžu požadovať špeciálne záchranné opatrenia.
- Pri plánovaní vašej aplikácie vodiaceho okraja sa uistite, že parametre pracovného priestoru sú v minimálnej útlmovej vzdialenosti, maximálnej výške voľného pádu, minimálnej svetlej výške pádu, ktorá sa vyžaduje pri páde cez okraj, ako je uvedené na štítku na SRL-LE zariadení.

**Výpočet svetlej výšky pádu cez vodiaci okraj:** Minimálna svetlá výška pádu, v prípade pádu cez okraj sa môže vypočítať na základe útlmovej vzdialenosti a vzdialenosti pozdĺž vodiaceho okraja vašej aplikácie (pozri obrázok 8). Keď chcete vypočítať svetlú výšku pádu z tabuľky na obrázku 8:

1. Vyberte hodnotu, ktorá je najbližšie vašej útlmovej vzdialenosti (A) v záhlaviach riadkov na ľavej strane.
2. Z horných záhlaví stĺpca vyberte hodnotu, ktorá je najbližšie vašej pracovnej vzdialenosti pozdĺž okraja (B). Tieňované plochy bez hodnôt znamenajú, že vzdialenosť pozdĺž okraja je mimo bezpečného pracovného polomeru pre útlmovú vzdialenosť, ktorú ste vybrali.
3. Svetlá výška potrebná v prípade pádu cez okraj (C) bude hodnota, ktorá je uvedená v mieste, kde sa pretína riadok, ktorý bol vybratý v kroku 1 a stĺpec, ktorý bol vybratý v kroku 2.
4. Predchádzajúce kroky opakujte pre každý okraj, cez ktorý by pracovník mohol potenciálne spadnúť, aby ste určili bezpečné umiestnenie ukotvenia a prípustný akčný rádius.

**Definície ostrej hrany podľa CE:** Tieto samonavíjacie zariadenia CE boli úspešne odskúšané na horizontálne použitie a na pády cez ocelové hrany bez ostrín. Musia sa dodržiavať obmedzenia vzdialenosti odstupu zobrazené na obrázku 8. Vyvarujte sa práci v prostredí, keď je záchranné lano v neustálom kontakte alebo sa obrusuje o nechránené ostré okraje. Odstráňte tento kontakt alebo chráňte hrany použitím pevnej podložky alebo iných prostriedkov. Typy hrán sú definované takto:

**VG 11.60 verzie 6 Definícia hrany typu A:** Na testovacie účely bola použitá ocelová hrana s polomerom  $r = 0,5$  mm bez rozstrapkaných okrajov. Podľa tohto testu je možné zariadenie používať nad podobnými hranami, ktoré je možné nájsť na valcovných ocelových profiloch, drevených trámoch alebo krytých, zaoblených strešných parapetoch.

### 3.0 INŠTALÁCIA

- 3.1 PROJEKTOVANIE:** Systém ochrany proti pádu si naprojektujte pred začatím práce. Zohľadnite všetky faktory, ktoré môžu ovplyvniť vašu bezpečnosť pred pádom, počas pádu i po ňom. Zvážte všetky požiadavky a obmedzenia definované v tejto príručke.
- 3.2 UKOTVENIE:** Obrázok 9 zobrazuje typické upevňovacie spojenia SRD. Ukotvenie (A) by malo byť priamo nad hlavou, aby sa minimalizovalo nebezpečenstvo voľného pádu a pádu zhrnutím (pozri bod 2). Vyberte si pevný upevňovací bod, ktorý vydrží dané statické zaťaženie definované v časti 2.2. Otočné oko na SRD je vybavené karabínou (B). Pripievte karabínu priamo na kotviaci konštrukciu (výstuž, uholník, a pod), k adaptéru na podviazanie (Tie-Off adaptér) (C) alebo k prípojnému bodu na ukotvenie (D).
- 3.3 PRIPOJENIE POSTROJA:** Pri použití na ochranu proti pádu sa vyžaduje celotelový postroj. Pripojte zaskakovací hák (A) na záchrannom lane SRD k dorzálnemu D-krúžku (B) na chrbte, na celotelovom postroji. (Pozrite si obrázok 10). V situáciách, ako je stúpanie po rebríku, môže byť užitočné pripojiť sa k prednému hrudnému D-krúžku. Pozrite si v manuáli od výrobcu postroja podrobnosti, ktoré sa týkajú použitia prípojných bodov postroja.
- 3.4 MONTÁŽ NA TROJNOŽKU:** Obrázok 11 znázorňuje inštaláciu samonavíjacieho zariadenia Rebel s vyťahovacou ručnou kľukou na trojnožke Protecta. Samonavíjacie zariadenie so záchranou (SRD-R) je namontované na nohu trojnožky a záchranné lano sa vedie cez systém kladiek na hlavu trojnožky. Pozrite si podrobnosti v návodoch dodaných spolu so statívom a montážnou konzolou.

### 4.0 POUŽITIE

*Poživatelia, ktorí používajú samonavíjacie zariadenie (SRD) Rebel prvýkrát alebo občasní používatelia tohto zariadenia, by si pred použitím tohto samonavíjacieho zariadenia (SRD) mali pozrieť „Bezpečnostné informácie“ na začiatku tejto príručky.*

- 4.1 PRED KAŽDÝM POUŽITÍM:** Overtte si, či vaša pracovná oblasť a systém ochrany proti pádu spĺňajú všetky kritériá stanovené v tomto návode. Overtte si, či je zavedený formálny záchranný plán. Skontrolujte produkt podľa kontrolných bodov „Používateľ“ stanovených v časti *Záznam o kontrole a údržbe*. Ak kontrola odhalí nebezpečný alebo chybný stav alebo ak by sa vyskytli pochybnosti o stave z hľadiska bezpečného použitia, okamžite vyradte produkt z prevádzky. Jasne ho označte textom „NEPOUŽÍVAŤ“. Viac informácií nájdete v časti 5.
- 4.2 PO PÁDE:** Každé zariadenie, ktoré bolo vystavené silám pôsobiacim pri zadržaní pádu alebo ktoré vykazuje poškodenie zodpovedajúce účinku takýchto síl, ako je popísané v časti 5, sa musí okamžite vyradiť z prevádzky, označiť ako „NEPOUŽÍTEĽNÉ“, skontrolovať a odporúčaným spôsobom vykonať na ňom servis podľa popisu v častiach 5 a 6.
- 4.3 PODPORA TELA:** Pri používaní SRD 3M sa musí nosiť celotelový postroj. Pri bežnom použití na ochranu proti pádu pripojte zadný dorzálny D-krúžok. V situáciách, ako je stúpanie po rebríku, môže byť užitočné pripojiť sa k prednému hrudnému D-krúžku. Pozrite si v manuáli od výrobcu postroja podrobnosti, ktoré sa týkajú použitia prípojných bodov postroja.
- 4.4 PRIPÁJANIE:** Pri použití háku na pripojenie sa ubezpečte, že nemôže dochádzať k vytiahnutiu (pozri obrázok 5). Nepoužívajte háky ani konektory, ktoré sa úplne nezatvoria bezprostredne nad pripievňovacím predmetom. Nepoužívajte zaskakovacie háky, ktoré sa samy nezaistia. Upevňovací povrch musí spĺňať požiadavky na silu ukotvenia uvedené v časti 2.2. Všetky komponenty systému používajte podľa pokynov výrobcu dodaných s príslušným komponentom.
- 4.5 PREVÁDZKA:** Skontrolujte SRD tak, ako je to uvedené v časti 5.0. SRD pripojte k vhodnému ukotveniu alebo konektoru ukotvenia, ako bolo popísané vyššie. Pripojte zaskakovací hák na konci záchranného lana k dorzálnemu D-krúžku na celotelovom postroji, (pozri obrázok 10). Skontrolujte, či sú pripojenia kompatibilné veľkosťou, tvarom a pevnosťou. Skontrolujte, či je hák úplne zatvorený a zaistený. Po pripevnení sa pracovník môže voľne pohybovať po odporúčanom pracovnom priestore bežnou rýchlosťou. V prípade, že je ovládač RSQ nastavený na „Ochranu proti pádu“, SRD zastaví pád. V prípade, že je ovládač RSQ nastavený na „Zostup“, keď nastane pád, SRD automaticky spustí používateľa do nižšej úrovne. Pri práci s SRD nechávajte záchranné lano navíjať späť na zariadenie kontrolovaným spôsobom. Na predĺženie alebo vťahnutie záchranného lana pri pripojovaní a odpojovaní môže byť potrebné ťažné lanko. Ťažné lanko sa môže použiť, aby sa zabránilo nekontrolovanému vťahnutiu záchranného lana do SRD. V závislosti od prostredia a podmienok na pracovisku môže byť potrebné podržať voľný koniec ťažného lanka, aby sa zabránilo kolízii alebo zachyteniu do zariadení alebo strojov.
- 4.6 VYŤAHOVANIE:** Obrázok 12 zobrazuje činnosť integrálnej záchranej ručnej kľuky samonavíjacieho zariadenia so záchranou (SRD-R) Rebel. Nepokúšajte sa aktivovať funkciu vyťahovania, keď je záchranné lano úplne navinuté. Keď chcete aktivovať režim vytiahnutia a používať záchrannú ručnú kľuku:
1. Vytiahnite vyťahovaciu rukoväť, aby sa uvoľnilo rameno kľuky.
  2. Otočte vyťahovaciu rukoväť nahor z telesa samonavíjacieho zariadenia (SRD) o 180°.
  3. Vytiahnite a podržte posuvný gombík v odomknutej polohe.
  4. Potlačte rameno kľuky do zapojenej polohy a uvoľnite posuvný gombík. Ak je to potrebné, otočte rameno kľuky v smere chodu hodinových ručičiek, čím pomôžete zapojiť prevodovku.
  5. Vytiahnutie a spustenie záchranného lana na Obrázku 12:
    - A. Zdvíhanie: Otáčajte rameno kľuky proti smeru chodu hodinových ručičiek.
    - B. Spúšťanie: Otočte rameno kľuky mierne proti smeru chodu hodinových ručičiek, aby ste uvoľnili brzdu pre zachytenie pádu, potom rameno kľuky otočte v smere chodu hodinových ručičiek.

*Integrálna záchranná ručná kľuka na 3-cestných záchranných vyťahovacích modeloch samonavíjacieho zariadenia so záchranou (SRD-R) je určená len na záchranné účely a nemala by sa používať na pracovné polohovanie alebo na zdvíhanie/spúšťanie materiálu.*

*Samonavíjacie zariadenia so záchranou (SRD-R) Rebel nemajú zabudovanú bezpečnostnú spojku proti preťaženiu na obmedzovanie sily, ktorá pôsobí na hnacie komponenty a pripojenú osobu. V režime vyťahovania dbajte na to, aby nedošlo k uvoľneniu lana. Takisto je potrebné počas vyťahovania monitorovať zdvíhanú osobu s cieľom uistiť sa, že na ne nepôsobí nadmerná sila v dôsledku pokračujúceho zdvíhania v prípade, že sa osoba zasekne o nejakú prekážku.*

Na spustenie alebo navíjanie záchranného lana sa požaduje minimálna záťaž 33,9 kg (75 libier). Na prevádzku vyťahovacieho systému pri zaťažení na úrovni kapacity sa vyžaduje sila 0,13 kN (30 libier).

Keď je záchranné lano úplne odvinuté alebo navinuté, zastavte otáčanie. Pokračovanie v otáčaní môže poškodiť komponenty.

#### 4.7 DEAKTIVÁCIA VYŤAHOVANIA: Deaktivovanie režimu vyťahovania:

Keď je vypnutý režim vyťahovania, každé záchranné lano sa navinie do zariadenia SRD. Aby ste sa vyhli možnému úrazu, pred odpojením navíňte záchranné lano späť alebo sa držte záchranného lana.

1. Odstráňte zo záchranného lana akýkoľvek náklad.
2. Vytiahnite a podržte posuvný gombík v odomknutej polohe.
3. Vytiahnite rameno kľuky, aby sa odpojila, a pustite posuvný gombík.
4. Vytiahnite rukoväť vyťahovania a otočte ju o 180° smerom k telesu samonavíjacieho zariadenia (SRD) do uloženej polohy.

## 5.0 KONTROLA

Po vyradení zariadenia z prevádzky zariadenie nemožno vrátiť do prevádzky, kým kompetentná osoba písomne nepotvrdí, že je to prijateľné.

- 5.1 **INTERVAL KONTROLY:** Používateľ musí produkt kontrolovať pred každým použitím a aspoň raz za rok ho musí skontrolovať kompetentná osoba iná než používateľ. V prípade častejšieho používania zariadenia a jeho používania v náročnejších podmienkach môžu byť potrebné častejšie kontroly kompetentnou osobou. Interval týchto kontrol by mala určiť kompetentná osoba podľa konkrétnych podmienok pracoviska.
- 5.2 **POSTUPY KONTROLY:** Skontrolujte produkt podľa postupov uvedených v časti *Záznam o kontrole a údržbe*. Majiteľ tohto zariadenia by mal viesť dokumentáciu o každej kontrole. Záznam o kontrole a údržbe odporúčame odložiť v blízkosti produktu alebo na inom mieste ľahko dostupnom pre jeho používateľov. Odporúča sa na produkte vždy vyznačiť termín ďalšej alebo poslednej kontroly.
- 5.3 **CHYBY:** Ak produkt nie je možné vrátiť do prevádzky z dôvodu existujúcej chyby alebo nebezpečného stavu, produkt sa musí zlikvidovať alebo zoslať na opravu do spoločnosti 3M alebo servisného strediska autorizovaného spoločnosťou 3M.
- 5.4 **ŽIVOTNOSŤ PRODUKTU:** Funkčná životnosť produktu je určená pracovnými podmienkami a údržbou. Pokiaľ tento produkt splní kritériá kontroly, môže sa ďalej používať.

## 6.0 ÚDRŽBA, SERVIS A SKLADOVANIE

Zariadenie, ktoré si vyžaduje údržbu alebo je naplánované na údržbu, je potrebné označiť nápisom „NEPOUŽÍVAŤ“. Tieto štítky na zariadení sa nesmú odstrániť, kým sa nevykoná údržba.

- 6.1 **ČISTENIE:** Postupy čistenia tohto samonavíjacieho zariadenia:
  - Vonkajšie časti SRD pravidelne čistite vodou a jemným mydlovým roztokom. Uložte SRD tak, aby mohla odtekať prebytočná voda. Podľa potreby vyčistite štítky.
  - Záchranné lano čistite vodou a jemným mydlovým roztokom. Opláchnite ho a nechajte úplne uschnúť na vzduchu. Nepoužívajte ohrev na urýchlenie schnutia. Nadmerné usadeniny špiny, farby alebo iných nečistôt môžu brániť úplnému navinutiu záchranného lana do puzdra, čo môže spôsobiť nebezpečenstvo voľného pádu. Pri nadmernom množstve usadenín záchranné lano vymeňte.
- 6.2 **SERVIS:** Ďalšie práce na údržbe a servis môže vykonávať iba autorizované servisné stredisko. Nepokúšajte sa rozmontovať SRD ani mazať žiadne jeho časti.
- 6.3 **SKLADOVANIE A DOPRAVA:** Samonavíjacie zariadenie skladujte a prepravujte v chladnom, suchom, čistom prostredí, mimo priameho slnečného žiarenia. Vyhybajte sa priestorom s možnosťou výskytu chemických výparov. SRD starostlivo skontrolujte po každom dlhšom skladovaní.

## 7.0 ŠTÍTKY

Obrázok 19 zobrazuje štítky na samonavíjacích zariadeniach Rebel a miesta, kde sa nachádzajú. Na samonavíjacom zariadení (SRD) sa musia nachádzať všetky štítky. Pokiaľ nie sú štítky úplne čitateľné, musia sa vymeniť. Informácie, ktoré sú uvedené na každom štítku:

(A)	1) Skontrolujte karabínu a ukazovateľ vplyvu. 2) Skontrolujte zaisťovaciu činnosť SRD. 3) Pripojte záchranné lano SRD na dorzálnu prípojnú časť postroja na chrbte. 4) Len vertikálne aplikácie. Samonavíjacie zariadenie nikdy neukotvujte SRD pod dorzálnu prípojnú časť postroja na chrbte. 4A) Pre úroveň ukotvenia na dorzálnu prípojnú časť postroja na chrbte alebo pod ňou je nutné použiť zariadenie s vodiacim okrajom (SRD-LE). 4B) Len vertikálne aplikácie. Samonavíjacie zariadenie nikdy neukotvujte SRD pod dorzálnu prípojnú časť postroja na chrbte. 5) Rozsah teplôt od -40 °C do 60 °C 6) Maximálna nosnosť - 140 kg 7) Kontrolujte navíjanie záchranného lana do samonavíjacieho zariadenia (SRD). Nikdy nedovoľte, aby sa záchranné lano prevínulo voľne. 8) Pracujte priamo pod ukotvením SRD, aby sa minimalizoval oád prehupnutím. 9) Neopravujte. Tento výrobok musí servisovať autorizované servisné centrum. 10) SRL skladujte v chladnom, suchom a čistom prostredí, mimo dosahu priameho slnečného žiarenia. 11) Na zaťaženie kryt SRD cez okraj. 12) Neodstraňujte štítky. 13) Prečítajte si všetky pokyny. 14) Identifikátor oboznámeného orgánu. 15) Mesiac nasledujúcej kontroly 16) Rok nasledujúcej kontroly 17) Rok a mesiac výroby 18) Číslo šarže 19) Číslo modelu 20) Dĺžka záchranného lana 21) Sériové číslo
(B)	Na spustenie záchranného lana nadol otáčajte ramenom kľuky v smere pohybu hodinových ručičiek. Na vytiahnutie záchranného lana nahor otáčajte ramenom kľuky proti smeru pohybu hodinových ručičiek.
(C)	1) Vytiahnite vyťahovaciu rukoväť. 2) Vyklopte vyťahovaciu rukoväť von z telesa samonavíjacieho zariadenia so záchranou (SRD-R). 3) Vytiahnite posúvací gombík a držte ho. 4) Zatlačte a mierne otáčajte ramenom kľuky proti smeru chodu hodinových ručičiek. 5) Pustite posúvací gombík.



**Tabuľka 3 – Záznam o kontrole a údržbe**

Výrobné čísla:		Dátum nákupu:	
Číslo modelu:		Dátum prvého použitia:	
Kontroloval/a:		Dátum kontroly:	
Komponent:	Kontrola:	Používateľ	Kompetentná osoba
Samonavijacie zariadenie (Obrázok 13)	Skontrolujte, či nie sú uvoľnené skrutky a ohnuté alebo poškodené diely.	<input type="checkbox"/>	<input type="checkbox"/>
	Skontrolujte deformácie, praskliny alebo iné poškodenia puzdra (A).	<input type="checkbox"/>	<input type="checkbox"/>
	Skontrolujte deformácie, praskliny alebo iné poškodenia otočného oka (B). Otočné oko musí byť pevne pripojené k samonavijaciemu zariadeniu (SRD), malo by sa však voľne otáčať.	<input type="checkbox"/>	<input type="checkbox"/>
	Záchranne lano (C) by sa malo vytiahnuť a navinúť späť úplne bez zadierania a bez uvoľneného lana.	<input type="checkbox"/>	<input type="checkbox"/>
	Skontrolujte, či sa zariadenie zablokuje pri prudkom trhnutí záchranneho lana. Pri zablokovaní nesmie dochádzať k preklzávaniu.	<input type="checkbox"/>	<input type="checkbox"/>
	Všetky štítky musia byť prítomné a dokonale čitateľné (pozrite si obrázok 19).	<input type="checkbox"/>	<input type="checkbox"/>
	Všímajte si príznaky korózie na celej jednotke.	<input type="checkbox"/>	<input type="checkbox"/>
Otočný zaskakovací hák a indikátor nárazu (Obrázok 14)	Skontrolujte, či na otočnom zaskakovacom háku nie sú známky poškodenia, korózie a pracovných podmienok. Otočný kĺb sa musí voľne otáčať. Skontrolujte indikátor rázu. Ak je viditeľný červený pásik (označený režim), znamená to, že došlo k rázovému zaťaženiu a samonavijacie zariadenie (SRD) sa musí vyradiť z prevádzky a skontrolovať. Nepokúšajte sa znova nastaviť indikátor rázu. Samonavijacie zariadenie SRD vráťte na opätovné nastavenie do autorizovaného servisného strediska. POZNÁMKA: Otočný čap sa neatáča voľne, keď je indikátor nárazu v označenom režime.	<input type="checkbox"/>	<input type="checkbox"/>
Drôtené záchranne lano (Obrázok 15)	Skontrolujte drôtené lano, či nie je zlomené, skrútené (A), či nie sú poškodené drôty (B), či nie je rozmotané (C), či nie sú poškodené zvary, (D) či nedochádza ku korózii, ako aj miesta na lane, kde dochádza ku kontaktom s chemikáliami, alebo nadmerne odreté miesta. Tlmič lana (E) posuňte hore a skontrolujte, či na ochranných krúžkoch (F) nie sú praskliny alebo poškodenie a skontrolujte, či na drôtenom lane nie sú stopy korózie a zlomené drôty. Zostavu oceľového lana vymeňte, ak zistíte šesť alebo viac náhodne rozdelených zlomených drôtov v jednom zákrute, alebo tri a viac zlomených drôtov v jednom prameni v jednom zákrute. Zákrut lana je dĺžka drôteného lana potrebná na to, aby jeden prameň (väčšia skupina drôtov) vykonal jedno úplné obtočenie alebo zákrut okolo lana. Celú zostavu drôteného lana vymeňte, ak zistíte zlomené drôty vo vzdialenosti do 25 mm (1 palec) od ochranných krúžkov.	<input type="checkbox"/>	<input type="checkbox"/>
Rezervné záchranne lano (Obrázok 16)	Skontrolujte návin rezervného záchranneho lana. Ak došlo k pádu a odvinutiu väčšiny záchranneho lana, je možné, sa použilo aj rezervné záchranne lano. Záchranne lano vytiahnite von zo samonavijacieho zariadenia (SRD) až na doraz. Ak je vidieť červený pásik (G), došlo k použitiu rezervného záchranneho lana a zariadenie sa pred opätovným použitím musí nechať opraviť v autorizovanom servisnom stredisku.	<input type="checkbox"/>	<input type="checkbox"/>
Pohlcovač energie samonavijacieho zariadenia s vodiacim okrajom (SRD-LE) (Obrázok 17)	Na samonavijacích zariadeniach s vodiacim okrajom (SRD-LE) skontrolujte, či sa neaktivoval integrovaný pohlcovač energie. Popruhovú tkaninu by sa nemala vytiahnuť z krytu (A). Kryt musí byť bezpečný, nemal by byť odretý ani pretrhnutý (B) a nemal by byť ani inak poškodený.	<input type="checkbox"/>	<input type="checkbox"/>
Integrálna záchraná vyťahovacia ručná kľuka (Obrázok 18)	Skontrolujte deformácie, praskliny alebo iné poškodenia ramena kľuky (A). Uistite sa, že vyťahovaciu rukoväť (A) je možné otočiť a zaistiť do polohy otáčania.	<input type="checkbox"/>	<input type="checkbox"/>
	Uistite sa, že posuvný gombík (C) je možné vytiahnuť do odblokovanej polohy a potom uvoľniť, čím sa uzamkne rameno kľuky v zapojenej aj v odpojenej polohe.	<input type="checkbox"/>	<input type="checkbox"/>
	Správnu prevádzku režimu vyťahovania otestujete zdvihnutím a spustením testovacieho závažia s hmotnosťou najmenej 34 kg (75 libier). Po pustení rukoväti vyťahovania by sa závažie nemalo pohybovať a rukoväť vyťahovania by mala ostať na svojom mieste (žiadny pohyb). Pri zdvíhaní záťaže by malo byť počuteľné jasné „cvakanie“.	<input type="checkbox"/>	<input type="checkbox"/>
<b>Nápravné opatrenie/údržba:</b>	Schválil/a:	Lehota nasledovnej inšpekcie:	
	Dátum:		
<b>Nápravné opatrenie/údržba:</b>	Schválil/a:	Lehota nasledovnej inšpekcie:	
	Dátum:		
<b>Nápravné opatrenie/údržba:</b>	Schválil/a:	Lehota nasledovnej inšpekcie:	
	Dátum:		
<b>Nápravné opatrenie/údržba:</b>	Schválil/a:	Lehota nasledovnej inšpekcie:	
	Dátum:		
<b>Nápravné opatrenie/údržba:</b>	Schválil/a:	Lehota nasledovnej inšpekcie:	
	Dátum:		
<b>Nápravné opatrenie/údržba:</b>	Schválil/a:	Lehota nasledovnej inšpekcie:	
	Dátum:		
<b>Nápravné opatrenie/údržba:</b>	Schválil/a:	Lehota nasledovnej inšpekcie:	
	Dátum:		
<b>Nápravné opatrenie/údržba:</b>	Schválil/a:	Lehota nasledovnej inšpekcie:	
	Dátum:		

## VARNOSTNE INFORMACIJE

**Preden uporabite ta izdelek, morate prebrati, razumeti in upoštevati vse varnostne informacije, ki jih vsebuje ta priročnik. NEUPOŠTEVANJE LAHKO POVZROČI HUDE TELESNE POŠKODBE ALI SMRT.**

Navodila je treba posredovati uporabniku opreme. Te informacije vedno hranite na priročnem mestu.

### Predvidena uporaba:

Ta izdelek se uporablja kot del celovitega sistema za zaščito pred padcem.

Družba 3M ne odobrava uporabe za noben drug namen, kar vključuje prenašanje materialov, rekreativne ali športne dejavnosti oziroma druge dejavnosti, ki niso opisane v teh navodilih, saj lahko neupoštevanje navedene namembnosti povzroči hude telesne poškodbe ali smrt.

Ta izdelek sme uporabljati samo usposobljen uporabnik pri izvajanju del na delovnem mestu.



### OPOZORILO

Ta izdelek se uporablja kot del celovitega sistema za zaščito pred padcem. Vsi uporabniki morajo biti podrobno seznanjeni in usposobljeni za varno namestitve in delovanje celotnega sistema za zaščito pred padcem. **Nepravilna uporaba tega izdelka lahko povzroči hude telesne poškodbe ali smrt.** Za pravilno izbiro, delovanje, namestitve, vzdrževanje in servisiranje glejte vsa navodila za uporabo in priporočila proizvajalca. Za več informacij se posvetujte z nadrejenim ali se obrnite na tehnične storitve družbe 3M.

• **Da bi se izognili povzročitvi hude telesne poškodbe ali smrti pri delu s samopovratno varovalno napravo, morate upoštevati pravila za zmanjševanje tveganj, ki zahtevajo naslednje:**

- Izdelek pred vsako uporabo in po vsakem padcu pregledajte v skladu s postopki, ki so navedeni v teh navodilih.
- Če med pregledom odkrijete nevarno ali nedelujoče stanje, izdelek takoj odstranite iz uporabe in na vidno mesto namestite oznako »NE UPORABLJAJ«. Uničite ali popravite izdelek v skladu s temi navodili.
- Vsako napravo, ki je bila podvržena sili ob zadrževanju padca ali udarni sili, morate nemudoma odstraniti iz uporabe. Uničite ali popravite izdelek v skladu s temi navodili.
- Prepričajte se, da so sistemi za zaščito pred padcem, ki so sestavljeni iz komponent različnih proizvajalcev, združljivi in izpolnjujejo zahteve vseh pravilnikov, standardov ali zahtev v zvezi z zaščito pred padcem. Pred uporabo teh sistemov se vedno posvetujte s pristojno ali kvalificirano osebo.
- Zagotovite, da reševalna vrv ni izpostavljena nevarnim situacijam, ki med drugim vključujejo: zapletanje z uporabniki, drugimi delavci, stroji za zemeljska dela, drugimi predmeti v okolici ali izpostavljenost udarcem predmetov nad glavo, ki lahko padejo na reševalno vrv ali uporabnike.
- Reševalne vrvi ne zvijajte, vežite, vozajte in ne dovolite ohlapnosti v njej.
- Preprečite možnost spotikanja ob konce reševalne vrvi z nogami. Če so opremljeni konci reševalne vrvi, jih pritrdite na elemente za shranjevanje zaponk zaskočnih kavljev.
- Ne presežite števila dovoljenih uporabnikov, ki je navedeno v teh navodilih.
- Ne smete uporabljati na mestih, na katerih na poti padca obstajajo ovire. Za zagotavljanje zaklepa naprave SRD je zahtevana prosta pot pri padcu. Pri delu s počasni premikajočim se materialom (na primer pesek ali zrnate snovi) ali pri delu v omejenih oziroma utesnjenih prostorih, delavec pri padcu morda ne bo pridobil zadostne hitrosti, da sproži zaklepanje samopovratne varovalne naprave (SRD).
- Izogibajte se sunkovitim in hitrim premikom med delom, ker lahko povzročite nehoteno zaklepanje samopovratne varovalne naprave (SRD).
- Bodite previdni pri nameščanju, uporabi ali premikanju izdelkov, saj vas gibljivi deli lahko stisnejo.
- Zagotovite uporabo ustrezne zaščite pred ostrimi robovi, če bi reševalna vrv lahko prišla v stik z ostrimi robovi ali abrazivnimi površinami.
- Izdelek takoj odstranite iz uporabe, če ste ga uporabili pri spuščanju.
- Pred uporabo se prepričajte, da sta pot spuščanja in območje pristanka brez ovir ali nevarnosti.
- Zagotovite, da je izdelek ustrezno konfiguriran in nameščen za varno uporabo, kot je opisana v teh navodilih.

• **Če želite zmanjšati tveganja, ki so povezana z delom na višini in lahko povzročijo hude telesne poškodbe ali smrt, če jih ne preprečite, morate storiti naslednje:**

- Vaše zdravje in fizično stanje vam morata omogočati varno delo na višini, da boste lahko zdržali vse sile, ki so povezane z dogodkom zaustavitve padca. Če imate dvome glede svoje pripravljenosti na uporabo te opreme, se posvetujte s svojim zdravnikom.
- Nikoli ne smete preseči dopustne nosilnosti opreme za zaščito pred padcem.
- Nikoli ne smete preseči maksimalne razdalje prostega padca, ki je določena za opremo za zaščito pred padcem.
- Če oprema za zaščito pred padcem ne opravi strokovnega pregleda ali pa menite, da ne ustreza zahtevam, je ne smete uporabljati. Za vsa vprašanja se obrnite na Tehnične storitve družbe 3M.
- Kombinacije nekaterih podsistemov in sestavnih delov lahko ovirajo delovanje opreme. Uporabljajte samo združljive priključke. Pred uporabo opreme v kombinaciji s sestavnimi deli ali podsistemi, ki niso opisani v teh navodilih, se posvetujte s tehničnimi storitvami družbe 3M.
- Upoštevajte dodatne varnostne ukrepe, ko delate v bližini strojev za zemeljska dela, visokonapetostnih električnih vodnikov, visokih temperatur, nevarnih kemikalij, eksplozivnih ali strupenih plinov, ostrih robov, abrazivnih površin ali gradbenih materialov pri delu na višini, ki lahko padejo na vas ali na vašo opremo za zaščito pred padcem.
- Poskrbite, da je vaša uporaba izdelka odobrena za nevarnosti, ki so prisotne v vašem delovnem okolju.
- Pri delu na višini zagotovite dovolj praznega prostora na poti padca.
- Oprema za zaščito pred padcem ne smete nikoli spreminjati ali predelovati. Popravila te opreme lahko izvaja samo družba 3M ali osebe, ki s pisnim pooblastilom družbe 3M.
- Pred uporabo opreme za zaščito pred padcem preverite, ali je izdelan pisni načrt reševanja pri morebitnem padcu, ki zagotavlja takojšnje reševanje v primeru padca.
- Če pride do nesreče s padcem, nemudoma poiščite zdravniško pomoč za ponesrečenega delavca.
- Za zaustavitev padca uporabljajte samo varovalno-pozicijske trakove za celo telo. Ne uporabljajte jermena, nameščenega samo okrog pasu.
- Nevarnost padcev z nihanjem lahko zmanjšate tako, da delate neposredno pod sidrno točko.
- Pri usposabljanju s tem izdelkom morate uporabljati sekundarni sistem za zaščito pred padcem. Delavci na usposabljanju ne smejo biti izpostavljeni nevarnosti neželenega padca.
- Ko nameščate, uporabljate ali pregledujete izdelek, vedno nosite osebno varovalno opremo.
- Nikoli ne smete delati pod visečim tovorom ali delavcem pri delu na višini.
- Vedno ohranite 100-odstotni zateg.

Pred uporabo opreme si z ID-nalepke v Dnevnik za preglede in vzdrževanje na hrbtni strani tega priročnika prepisite identifikacijske podatke izdelka.

Vedno zagotovite, da uporabljate najnovejšo različico navodil za uporabo 3M. Obiščite spletno mesto 3M ali pa se obrnite na tehnične storitve 3M za posodobljene uporabniške priročnike.


**OPIS:**

Na sliki 2 so prikazani ključni sestavni deli samopovratnih varovalnih naprav (SRD) Protecta Rebel. Naprave SRD Rebel so žične reševalne vrvi (A), navite na boben, ki se uvlečejo v ohišje (B) iz termoplastike ali aluminija. Lahko se obesijo na sidrišče s karabinom, vpetim v vrtljivo vponko (C), ki je nameščena na vrhu ohišja samopovratne varovalne naprave (SRD). Samozaklepna zaskočna kljuka (D) na koncu reševalne vrvi se vpne v ustrezno sponko sistema za zaustavitev padca, ki je pritrjen na varovalno-pozicijskem pasu za celotno telo. Odbijač (E) ščiti jekleno vrv in kabelski končnik, s tem pa varuje zaskočno kljuko pred odrgninami in korozijo.


Na sliki 1 so določeni modeli Rebel SRD, ki so obravnavani v teh navodilih za uporabo. Na voljo so naslednji tipi samopovratnih varovalnih naprav (SRD):

- **Samopovratna varovalna naprava (slika 2A):** Samopovratne varovalne naprave (SRD) so primerne za uporabo v primerih, ko je reševalna med uporabo večino časa navpična in je možnost prostega padca omejena na 0,6 m (2 čevlja)
- **Samopovratna varovalna naprava z vodilnim robom (slika 2B):** Samopovratne varovalne naprave z vodilnimi robovi (SRD-LE) so primerne za uporabo v primerih, ko je reševalna vrv med uporabo večino časa vodoravna in je možnost prostega padca omejena na 1,5 m (5 čevljev). Naprave SRD-LEs imajo vgrajen blažilnik udarcev (F) ali podobno komponento, ki prenese udarno bremenitev reševalne vrvi čez oster ali abraziven rob med zaustavljanjem padca in zmanjša prenos sil zaustavitve padca na uporabnika.
- **Samopovratna varovalna naprava z reševalnim mehanizmom (slika 2C):** Samopovratne varovalne naprave z reševalnim mehanizmom (SRD-R) vključujejo opremo za pomoč pri reševanju z dviganjem ali spuščanjem reševanca. Naprave SRD-R so opremljene s 3-potnim sistemom z ročico za ročno reševanje (G). Nekateri modeli vključujejo nosilec za namestitev na trinožnik (H), s pomočjo katerega lahko napravo SRD-R namestite na nogo trinožnika za uporabo v utesnjenih prostorih.

**Tabela 1 – Specifikacije**

	Material	
Polovice ohišja	Material	
9508320 + 9520047	Aluminij – 15 m (50 ft.) SRD-R	
9511070 + 9511071	Termoplastika – 6 m (20 ft.) SRD, 10 m (33 ft.) SRD in 6 m (20 ft.) Vodilni robovi SRD-LE	
9520021 + 9520022	Aluminij – 6 m (20 ft.) in 10 m (33 ft.) SRD	
9520044 + 9520045	Termoplastika – 15 m (50 ft.) SRD in 10 m (33 ft.) Vodilni robovi SRD-LE	
9520046 + 9520047	Aluminij – 15 m (50 ft.) SRD	
9520056 + 9520057	Termoplastika – 20 m (66 ft.), 25 m (82 ft.), 30 m (100 ft.) SRD	
9520058 + 9520059	Aluminij – 20 m (66 ft.), 25 m (82 ft.) in 30 m (100 ft.) SRD	

	Opis	Kljuka
Reševalna vrv	Opis	Kljuka
9501087 + 2000175	5,56 mm (7/32 in.) žična vrv iz pocinkanega jekla, samozaklepni vrtljivi zaskočni kavelj s kazalnikom iz jeklene zlitine.	2000175
9501479 + 2000175	4.76 mm (3/16 in.) žična vrv iz pocinkanega jekla, samozaklepni vrtljivi zaskočni kavelj iz jeklene zlitine z indikatorjem.	2000175
9501613 + 2000170	4.76 mm (3/16 in.) žična vrv iz jeklene zlitine, samozaklepni vrtljivi karabin iz nerjavnega jekla z indikatorjem.	2000170
9501613 + 2000175	4.76 mm (3/16 in.) žična vrv iz pocinkanega jekla, samozaklepni vrtljivi zaskočni kavelj iz nerjavnega jekla z indikatorjem.	2000175
9501613 + 2100044	4.76 mm (3/16 in.) žična vrv iz nerjavnega jekla, samozaklepni vrtljivi zaskočni kavelj iz nerjavnega jekla z indikatorjem.	2100044

Kljuka	Opis	Material	Trdnost zapirala	Velikost odprtine
2000170	Vrtljiva samozaklepna vponka s kazalnikom udarca	Nerjavno jeklo	16 kN (3.600 lbf)	1,9 cm (0,75 in.)
2000175	Vrtljivi samozaklepni zaskočni kavelj s kazalnikom udarca	Pocinkano jeklo	16 kN (3.600 lbf)	1,9 cm (0,75 in.)
2100044	Vrtljivi samozaklepni zaskočni kavelj s kazalnikom udarca	Nerjavno jeklo	16 kN (3.600 lbf)	1,9 cm (0,75 in.)

**Tabela 1 – Specifikacije**

<b>Natezna trdnost reševalne jeklene vrvi:</b>	9501479 - premer 4,76 mm (3/16 in.) – pocinkano jeklo Min. natezna trdnost 18,7 kN (4200 lbf) 9501613 - premer 4,76 mm (3/16 palca) – nerjavno jeklo Min. natezna trdnost 16,0 kN (3600 lbf) 9501087 - premer 5,55 mm (7/32 in.) – pocinkano jeklo Min. natezna trdnost 24,9 kN (5600 lbf)
<b>Največja omejitev pri dviganju za naprave SRD-R:</b>	135 kg (298 lb.)
<b>Trdnost trdnosti</b>	12 kN (2,697 lbf)

<b>Specifikacije samopovratne varovalne naprave (SRD)</b>	<b>Modeli CE (EN 360)</b>
<b>Razpon nosilnosti:</b>	59 kg - 140 kg (130 lb. - 310 lb.)
<b>Največja sila zaustavljanja padca:</b>	6 kN (1350 lbf)
<b>Povprečna sila pri preprečitvi padca:</b>	4,0 kN (900 lbf)
<b>Največja razdalja pri zaustavitvi padca:</b> <i>*Predpostavlja, da je naprava SRD nameščena neposredno nad uporabnikom.</i>	1,1 m (42 in.)
<b>Najmanjša zahtevana prosta pot padca:</b> <i>*Predpostavlja, da je naprava SRD nameščena neposredno nad uporabnikom.</i>	1,8 m
<b>Največji prosti pad:</b> <i>*SRD mora biti nameščen nad uporabnikovo D-vponko.</i>	0,6 m (2 čevlja)

<b>Specifikacije naprave SRD-LE</b>	<b>Modeli CE (EN 360 + CNB/P/11.060)</b>
<b>Razpon nosilnosti:</b>	59 kg - 140 kg (130 lb. - 310 lb.)
<b>Največja sila zaustavljanja padca:</b>	6 kN (1350 lbf)
<b>Povprečna sila pri preprečitvi padca:</b>	4 kN (900 lbf)
<b>Največja razdalja pri zaustavitvi padca:</b> <i>*Predpostavlja, da je naprava SRD nameščena neposredno nad uporabnikom.</i>	1,1 m (42 in.)
<b>Najmanjša zahtevana prosta pot padca:</b>	Navpično: 1,8 m (6 ft.) Vodoravno: 5,03 m (16,5 ft.)
<b>Največji prosti pad:</b> <i>*SRD mora biti nameščen nad uporabnikovo D-vponko.</i>	0,6 m (2 čevlja)
<b>Največji prosti padec – LE:</b> <i>*Izmerjeno od uporabnikove D-vponke do delovne površine.</i>	1,5 m (5 čevljev)

## 1.0 OBSEG UPORABE

- 1.1 NAMEN:** Samopovratne varovalne naprave tipa 3M Self-Retracting Devices (SRD) so izdelane kot del osebnega sistema za zaustavitev padca (personal fall arrest system, PFAS). Slika 1 kaže samopovratne varovalne naprave (SRD), ki so skupaj z najpogostejšo uporabo opisane v tem priročniku. Uporabijo se lahko v večini situacij, kjer je potrebna kombinacija mobilnosti delavca in zaščite pred padcem (tj. pregledi opreme, splošno gradbeništvo, vzdrževalna dela, proizvodnja nafte, delo v utesnjenem prostoru ipd.).
- 1.2 STANDARDI:** Vaša samopovratna varovalna naprava (SRD) je v skladu z državnimi ali regijskimi standardi, ki so navedeni na prvi strani tega priročnika. Pri nadaljnji prodaji tega izdelka zunaj prvotne namembne države mora preprodajalec zagotoviti ta navodila v jeziku države, v kateri se bo izdelek uporabljal.
- 1.3 USPOSABLJANJE:** To opremo lahko uporabljajo osebe, ki so usposobljene za pravilno uporabo. Uporabnikova odgovornost je, da zagotovi, da je seznanjen s temi navodili in usposobljen za pravilno ravnanje s to opremo in njeno uporabo. Uporabniki morajo biti seznanjeni z značilnostmi delovanja, omejitvami in posledicami neustrezne uporabe te opreme.
- 1.4 OMEJITVE:** Pri nameščanju ali uporabi te opreme vedno upoštevajte spodnje omejitve in zahteve:

- **Nosilnost:** Za to samopovratno varovalno napravo (SRD) je bil opravljen preizkus skladnosti pri uporabi za eno osebo, upoštevana pa je združena teža (obleke, orodja in podobno) od 59 kg (130 funtov) do 140 kg (310 funtov).<sup>1</sup> Zagotovite, da imajo vsi deli vašega sistema nazivne nosilnosti, ki ustrezajo vašemu načinu uporabe.
- **Sidrišče:** Zahteve sidrišča se razlikujejo glede na način zaščite pred padcem. Konstrukcija, na kateri je nameščena ali montirana priprava za spenjanje na sidrišče, mora ustrezati specifikacijam sidrišča, navedenim v preglednici 1.
- **Hitrost zaklepanja:** Situacije, v katerih ni mogoče zagotoviti proste poti za padec, je treba preprečiti. Pri delu v omejenih ali utesnjenih prostorih morda uporabnik pri padcu ne bo pridobil zadostne hitrosti, da se sproži zaklepanje samopovratne varovalne naprave (SRD). Pri delu s počasi premikajočim se materialom, kot sta zrnate snovi ali pesek, morda uporabnik pri padcu ne bo pridobil zadostne hitrosti, da se sproži zaklepanje samopovratne varovalne naprave (SRD). Da bi se samopovratna varovalna naprava (SRD) pri padcu varno zaklenila, je treba zagotoviti prazen prostor na poti padca.
- **Prosti pad:** Pravilna uporaba samopovratne varovalne naprave (SRD), ko je sidrna točka postavljena nad glavo uporabnika, bo zmanjšala razdaljo prostega pada na najmanjšo možno mero. Da preprečite povečanje razdalje prostega pada, sledite navodilom spodaj:
  - Rešilne vrvi nikoli ne smete spenjati, vozlati, ali je drugače ovirati, da se uvleče, ali ostane napeta.
  - Vedno preglejte, ali je rešilna vrv samopovratne varovalne naprave (SRD) zategnjena in takoj ukrepajte, če je ohlapna.
  - Ne delajte na površini, ki je nad ravnijo sidrišča, na katero ste pripeti.
  - Samopovratne varovalne naprave (SRD) ne smete podaljšati tako, da povežete vrv z zaključno zanko ali podobno komponento sistema, brez predhodnega posvetovanja s podjetjem 3M.

Poglejte, prosimo preglednico 1 v teh navodilih, da se seznanite s podatki v zvezi s prostim padom in z zadostnim praznim prostorom na poti padca za posamezne tipe izdelkov.

- **Padci z nihanjem:** Do padcev z nihanjem pride, ko sidrna točka ni postavljena neposredno nad točko, na kateri se opravlja delo. Sila trka ob predmet pri padcu z nihanjem lahko povzroči hude poškodbe (glejte sliko 3A). Nevarnost padcev z nihanjem lahko zmanjšate tako, da delate čim bolj pod sidriščno točko, kot je mogoče (slika 3B). Če delo poteka stran od sidriščne točke (slika 3C), se poveča udarec pri padcu z nihanjem ter potreben prazen prostor na poti padca (FC).
- **Prazen prostor na poti padca:** Slika 3B prikazuje izračun praznega prostora na poti padca. Prazen prostor na poti padca (FC) je vsota prostega pada (FF), razdalje upočasnjevanja (DD) in varnostnega faktorja (SF):  $FC = FF + DD + SF$ . Pomik vponke v obliki črke D in raztezek varovalnega pasu sta vključena v varnostni faktor. Vrednosti praznega prostora na poti padca so bile izračunane in so navedene na sliki 4. Varnostni faktor 1 m (3,28 čevlja) je bil uporabljen pri vseh vrednostih na sliki 4.

Sliki 3B in 3C kažeta prazen prostor na poti padca. Če je sidrišče samopovratne varovalne naprave (SRD) nameščeno neposredno nad glavo (slika 3B), morajo sistemi za zaustavitev padca, vključeni v samopovratno varovalno napravo (SRD), pri padcu iz stoječega položaja imeti najmanj toliko praznega prostora na poti padca, kot je določeno v preglednici 1. Pri padcu iz položaja, v katerem delavec kleči ali čepi, se zahteva dodatno 1 m (3 čevlja) praznega prostora na poti padca. Pri padcu z nihanjem (slika 3C) bo skupna vertikalna razdalja padca večja, kot pri padcu uporabnika neposredno pod sidrno točko, kar lahko zahteva dodaten prazen prostor na poti padca. Slika 4 in priložena preglednica omogočata določitev največjega delovnega polmera (C) za različne višine sidrne točke, v katero se namesti samopovratna varovalna naprava (SRD) (A) in višine praznega prostora na poti padca (B). Priporočeno delovno območje je omejeno na območje znotraj največjega delovnega polmera.

- **Nevarnosti:** Uporaba te opreme v območjih z okoljskimi nevarnostmi lahko zahteva dodatno previdnost, da zmanjšate možnosti poškodb uporabnika ali škode na opremi. Nevarnosti med drugim vključujejo: visoke temperature, jedke kemikalije, korozivno okolje, visokonapetostne električne vodnike, eksplozivne ali strupene pline, stroji za zemeljska dela, gradbeni material pri delu na višini, ki lahko pade na uporabnika, ali sistem za zaustavljanje padca. Izogibajte se delu, kjer bi se vaša rešilna vrv prekrizala ali zavozlala z reševalno vrvo drugega delavca. Izogibajte se delu, kjer obstaja možnost, da predmet pade in zadane reševalno vrv, saj lahko s tem izgubite ravnotežje ali poškodujete reševalno vrv. Ne dovolite, da bi reševalna vrv potekala pod rokami ali med nogami.
- **Ostri robovi:** Izogibajte se delu, kjer bo rešilna vrv v stiku z nezaščitenimi ostrimi robovi ali bo drsala po njih. Kjer je stik z ostrim robom neizogiben, pokrijte rob z zaščitnim materialom.

## 2.0 UPORABA

- 2.1 NAČRT REŠEVANJA:** Pri uporabi te opreme mora imeti delodajalec pripravljen načrt reševanja in na voljo sredstva za njegovo izvedbo. Načrt reševanja mora predstaviti uporabnikom, pooblaščenim osebam in reševalcem.
- 2.2 POGOSTOST PREGLEDOV:** Samopovratne varovalne naprave (SRDs) mora pred vsako uporabo pregledati pooblaščen

<sup>1</sup> **Nosilnost:** Vendar so modeli samopovratnih varovalnih naprav s 3-potnim sistemom ponastavljanja (tip SRD 3-Way Retrieval) narejeni za največjo dvižno obremenitev 135 kg (298 funtov).

oseba<sup>1</sup> ali reševalec<sup>2</sup> (glejte preglednico 2). Poleg tega mora pristojna oseba,<sup>3</sup> ki ni uporabnik, v intervalih, ki ne smejo biti večji od enega leta, opraviti dodatni pregled. Skrajni delovni pogoji (zahtevne razmere, podaljšana uporaba ipd.) bodo morda zahtevali pogostejše preglede, ki jih opravi pristojna oseba. Postopki pregledov so opisani v »Dnevniku pregledov in vzdrževanja« (preglednica 3). Rezultati pregledov, ki jih opravi pristojna oseba, morajo biti evidentirani v »Dnevniku pregledov in vzdrževanja« ali zapisani s sistemom RFID.

- 2.3 PRAVILNO DELOVANJE:** Pravilno delovanje omogoča, da se reševalna vrv neovirano izvleče po celotni dolžini in uvleče brez zrahljanja pri potegu nazaj, ko se delavec premika z običajno hitrostjo. Če pride do padca, se vklopi zavorni sistem za zaznavanje hitrosti, ki zaustavi padec in absorbira večino ustvarjene energije. Pri pravilnem delu se je treba izogibati sunkovitim in hitrim premikom, saj lahko ti povzročijo, da se samopovratna varovalna naprava (SRD) zaklene. Za padce, ki se pripetijo ob koncu reševalne vrvi, je vstavljen nadomestni sistem reševalne vrvi ali blažilnik padca, ki zmanjšuje sile, ki nastanejo ob ustavitvi padca. Če je bila samopovratna varovalna naprava (SRD) izpostavljena silam pri zaustavitvi padca: jo morate nemudoma prenehati uporabljati, označiti z napisom »NEUPORABNO« in jo dati v pregled in popravilo, kot je navedeno v razdelkih 5 in 6.
- 2.4 PODPORA ZA TELO:** S samopovratno varovalno napravo morate uporabljati varovalno-pozicijski pas za celotno telo. Povezovalna točka pasov mora biti nad uporabnikovim težnostnim središčem. Jermen, nameščen samo okrog pasu, ni odobren pri uporabi samopovratne varovalne naprave. Če pride do padca ob uporabi jermena, nameščenega samo okrog pasu, se lahko jermen odpre ali pride do telesne poškodbe zaradi neustrezne podpore telesa.
- 2.5 ZDRUŽLJIVOST SESTAVNIH DELOV:** Če ni drugače navedeno, je oprema znamke 3M namenjena samo za uporabo z odobrenimi deli opreme in podsistemi znamke 3M. Nadomestna uporaba ali menjava delov s tistimi deli oziroma podsistemi, ki niso odobreni, lahko ogrozi združljivost opreme in lahko vpliva na varnost in zanesljivost celotnega sistema. Upoštevajte proizvajalčeva navodila za dele in podsisteme v svojem sistemu za zaustavitev padca oseb.
- 2.6 ZDRUŽLJIVOST PRIPRAV ZA SPENJANJE:** Vezni elementi (priključki) veljajo za združljive s priključnimi elementi, ki so oblikovani za delo na način, pri katerem njihova velikost in oblika ne povzročata, da bi se zapiralni mehanizem nenamerno odprl, ne glede na to, kako so obrnjeni. Če imate vprašanja v zvezi z združljivostjo, se obrnite na podjetje 3M.
- Priključki, ki se uporabljajo za pritrditev samopovratne varovalne naprave (SRD), morajo biti skladni s standardom EN362. Priprave za spenjanje morajo biti združljive s sidriščem ali ostalimi sistemskimi komponentami. Ne uporabljajte opreme, ki ni združljiva. Nezdružljivi vezni elementi se lahko nenamerno odklopijo (glejte sliko 5). Priprave za spenjanje morajo biti združljive po velikosti, obliki in moči. Zahteva se uporaba samozaklepnih zaskočnih zapiral (kavljev) in karabinov (vponk). Če so priključni elementi, na katere se prikljopijo zaskočna zapirala ali karabini, premajhni ali nepravilne oblike, lahko pride do situacije, kjer priključni element pritiska na zaskočna zapirala ali vponko (A). Ta sila lahko povzroči, da se zapiralo odpre (B) in s tem zapiralo ali vponka odklopi od točke povezljivosti (C).
- 2.7 POVEZOVANJE:** Zaskočna zapirala in karabini, ki se uporabljajo s to opremo, morajo biti samozaklepne. Preverite in zagotovite, da so vse priprave za spenjanje združljive po velikosti, obliki in moči. Ne uporabljajte opreme, ki ni združljiva. Preverite in se prepričajte, da so vse priprave za spenjanje v celoti zaprte in zaklenjene. Priprave za spenjanje znamke 3M (zaskočne kljuge in vponke) so oblikovane za uporabo samo na način, ki je določen v navodilih za uporabo posameznega izdelka. Glejte sliko 6 za primere neustreznih veznih elementov. Ne povezujte zaskočnih zapiral in karabinov:
- Na D-sponko, na katero je priključen drug vezni element.
  - Na način, ki bi povzročil, da sila obremenitve pritiska pregibno vzmet zapirala v smeri odpiranja. Zaskočnih kljuk z odprtino velikega premera se ne sme vpeti v D-sponke standardne velikosti ali v druge sponke ali vponke, ker bo to pri sukanju in obračanju kljuge in D-sponke lahko povzročilo obremenitev zapornice zaskočne kljuge, razen če je kljuga opremljena z zapornico, ki prenese silo 16 kN (3600 funtov). Preberite oznake na zaskočni kljuki, da preverite, ali je ustrezna za vaš način uporabe.
  - Na način, da pride do nepravilne povezave, ker se elementi sponk, ki štrlijo iz zaskočnega zapirala (kavlja) ali karabina, zataknejo za sidrišče in se brez vizualnega pregleda domneva, da so sponke v celoti pripete na sidrno točko.
  - Drug na drugega.
  - Neposredno na trakove ali vrv z vponkami ali na pritrdilno točko (razen če je v navodilih proizvajalca za pozicijsko vrv in tudi za pripravo za spenjanje izrecno dovoljena takšna povezava).
  - Na predmet, ki je oblikovan tako, da se zaskočna kljuka ali vponka ne bosta zapirala in zaklenila, ali pri katerem lahko pride do odprtja.
  - Na način, ki pripravi za spenjanje ne dovoljuje, da se poravna v pravilen položaj, kadar je pod obremenitvijo.

**Preglednica 2 – Razpored pregledov**

Tip uporabe	Primeri uporabe	Pogoji uporabe	Pogostost pregledov
			Pristojna oseba
Redkejša svetloba	Prostorsko omejeno območje, tovarniško vzdrževanje	Dobri pogoji skladiščenja, notranja in občasna zunanja uporaba, sobna temperatura, čisto okolje	Letno
Srednje do težko	Transport, stanovanjske gradnje, ustanove, skladišče	Ugodni pogoji skladiščenja, notranja in podaljšana zunanja uporaba, vse temperature, čista ali prašna okolja	Polletno do letno
Močno do neprekinjeno	Komericalne gradnje, nafta in plin, rudarstvo	Težki pogoji skladiščenja, podaljšana ali neprekinjena uporaba na prostem, vse temperature, umazano okolje	Četrtletno do polletno

**1 Pooblaščen oseba:** Oseba, ki jo delodajalec določi za opravljanje dolžnosti na lokaciji, kjer se lahko pričakuje, da bo oseba bila izpostavljena nevarnosti padca.

**2 Reševalec:** Oseba ali osebe, ki se ne rešujejo, vendar pomagajo pri reševanju v skladu z reševalnim sistemom.

**3 Pristojna oseba:** Posameznik, ki ga določi delodajalec, odgovoren za neposredni nadzor, izvajanje in spremljanje programa zaščite pred padci, s katero upravlja delodajalec, in ki s svojo usposobljenostjo in znanjem lahko ugotovi, oceni in obravnava obstoječe in potencialne nevarnosti za padce, ter ima pooblastilo delodajalca, da sprejme takojšnje korektivne ukrepe v zvezi s taksnimi nevarnostmi.

## 2.8 SAMOPOVRATNE VAROVALNE NAPRAVE S SIDRNO TOČKO, KI DRSI PO VODILNEM ROBU (SRL-LE):

Samopovratne varovalne naprave (SRD), za katere velja ta priročnik z navodili, so samopovratne varovalne naprave s sidrno točko, ki drsi po vodilnem robu (SRL-LE). Za bolj podroben prikaz modela SRL-LE si oglejte sliko 1. Modeli SRL-LE so bili preizkušeni za uporabo na horizontalnih varovalnih linijah in za padce z roba jeklenih elementov, na katerih ni ostrih delov. Samopovratne varovalne naprave s sidrno točko, ki drsi po vodilnem robu (SRL-LE) se uporabljajo na gradbiščih, na katerih lahko pride do padca čez rob jeklenih elementov, kot so jeklene konstrukcije visokih zgradb ali nameščanje opaža iz kovinskih plošč.

**Previdnostni ukrepi pri načrtovanju sidrišča na vodilnem robu:** Upoštevajte naslednje previdnostne ukrepe pri uporabi modelov SRL-LE:

- Pri modelih z vodilnim robom SRL-LE je dovoljeni kot spremembe smeri tistega dela reševalne vrvi, ki se ob morebitnem padcu prepogne čez rob, enak ali večji od 90 stopinj (kraka kota, ki se meri, sta dela rešilne vrvi od sidrišča do roba in preusmerjeni del reševalne vrvi) (glejte sliko 7).
- Sidrna točka mora biti nameščena na enaki višini, kot je rob, čez katerega obstaja možnost padca, ali nad robom. Sidrne točke pod ravno roba so nevarne, ker pri morebitnem padcu reševalna vrv spremeni smer pod kotom, manjšim kot 90 stopinj (glejte sliko 7).
- Preberite Razdelek 1 in se seznanite z omejitvami glede dovoljenega delovnega območja, ki so povezane s sidrno točko, vključno z dejavniki, kot so nihanje ob padcu, strganine na vrvi pri drsenju čez rob in uporaba ene sidrne točke v primerjavi s sidrišči, ki dovolijo vodoravno gibanje (npr. vodoravna rešilna vrv ali vodoravna tirnica).
- Modeli z vodilnim robom SRL-LE se lahko uporabljajo s horizontalno reševalno vrvjo ali horizontalno tirnico, samo če je v navodilih za uporabo horizontalne reševalne vrvi ali horizontalne tirnice navedeno, da je to dovoljeno.
- Ne delajte na oddaljeni strani odprtine nasproti sidrne točke modela z vodilnim robom SRL-LE.
- V primeru padca čez rob bodo morda zahtevani posebni reševalni ukrepi.
- Ko načrtujete uporabo vodilnega roba, poskrbite, da so parametri delovnega območja znotraj zahtev glede najmanjše razdalje od sidrne točke do roba, največje razdalje prostega padca (če padec poteka brez ustavljanja in upočasnitve), in da je zagotovljen zahtevani najmanjši prazen prostor na poti padca (prostor med delovno ravno in najbližjo oviro) pri morebitnem padcu čez rob, kot je navedeno na napisnih ploščicah/nalepkah na samopovratni varovalni napravi SRL-LE.

**Izračun prostora na poti padca za sidrišče z vodilnim robom:** Najmanjši zahtevani prazen prostor na poti padca pri padcu čez rob se lahko izračuna na podlagi najmanjše razdalje od sidrne točke do roba (setback distance) in razdalje od sidrne točke do točk vzdolž vodilnega roba (glejte sliko 8). Za izračun dolžine praznega prostora na poti padca iz preglednice na sliki 8:

1. Izberite vrednost, najbližjo vaši najmanjši razdalji od sidrne točke do vodilnega roba (A) iz glave vrstic na levi.
2. Izberite vrednost, najbližjo vaši delovni razdalji vzdolž vodilnega roba (B) iz glave stolpcev. Zasenčena območja brez označenih vrednosti kažejo razdaljo vzdolž roba, ki je zunaj varnega delovnega polmera za vašo izbrano najmanjšo razdaljo od sidrne točke do roba.
3. Zahtevani prazen prostor na poti padca pri padcu čez rob (C) je vrednost vpisana na sečišču vrstice izbrane v koraku 1 in stolpca izbranega v koraku 2.
4. Zgornje korake ponovite za vsak rob, vzdolž katerega bo delavec morda lahko padel, da določite varno postavitvev sidrišča in dopusten delovni polmer.

**Opredelitve ostrih robov CE:** Te samopovratne varovalne naprave CE so bile uspešno preizkušene pri vodoravni uporabi in padcih čez jekleni rob brez zarobkov. Upoštevati je treba omejitve najmanjše razdalje od sidrne točke do roba na sliki 8. Izigibajte se delu, kjer bo reševalna vrv stalno ali večkrat drsala po ostrih ali abrazivnih robovih. Preprečite takšen stik ali zaščitite robove z močno oblogo ali drugimi sredstvi. Tipi robov so opredeljeni, kot sledi:

**VG 11.60 revizija 6 tipa A Opredelitev ostrih robov:** Pri preizkusu je bil uporabljen jeklen rob s polmerom  $r=0,5$  mm in brez zarobkov. Pri preizkušanju se lahko oprema uporabi na podobnih robovih, kot jih lahko najdemo na valjanih jeklenih profilih, lesenih tramovih ali obloženih zaobljenih parapetih.

### 3.0 NAMESTITEV

- 3.1 NAČRTOVANJE:** Sistem zaščite pred padcem načrtujte pred pričetkom dela. Upoštevajte vse dejavnike, ki bi lahko vplivali na vašo varnost pred padcem, med njim in po njem. Upoštevajte vse zahteve in omejitve, opisane v tem priložniku.
- 3.2 SIDRIŠČE:** Slika 9 prikazuje tipične povezave sidrišča s samopovratno varovalno napravo (SRD). Za sidrišče (A) je treba izbrati točko neposredno nad glavo, da se nevarnost prostega padca in nihanja pri padcu čim bolj zmanjša (glejte razdelek 2). Izberite togo sidriščno točko, ki lahko prenese statično obremenitev, navedeno v razdelku 2.2. Vrtljiva sponka na samopovratni varovalni napravi (SRD) je opremljena z karabinom (B). Vpnite vponko neposredno na sidrno konstrukcijo (betonsko jeklo, železni U profil in podobno), na adapter začasne sidrne točke (C) ali na sidrno vezno točko (D).
- 3.3 POVEZAVA VAROVALNO-POZICIJSKEGA PASU:** Za uporabo sistema za zaustavitev padca se zahteva varovalno-pozicijski pas za celotno telo. Zaskočno zapiralo (A), nameščeno na reševalni vrvi samopovratne varovalne naprave (SRD), povežite s hrbtno D-sponko varovalno-pozicijskega pasu za celotno telo. (Glejte sliko 10). Za situacije, kot je npr. plezanje po lestvi, je priporočljivo, da zapiralo vpnete v prsno D-sponko. Za podrobnosti glede pripenjanja veznih točk varovalno-pozicijskega pasu preberite navodila proizvajalca varovalno-pozicijskega pasu.
- 3.4 NAMESTITEV NA TRINOŽNIK:** Na sliki 11 je prikazana namestitev samopovratne varovalne naprave Rebel (SRD-R) z sistemom za ročno reševanje na trinožnik Protecta. Naprava SRD-R je nameščena na nogo trinožnika, reševalna vrva pa je napeljana skozi sistem jermenice na vrhu trinožnika. Za podrobne podatke glejte navodila, priložena k trinožniku in montažnemu nosilcu.

### 4.0 UPORABA

*Pred začetkom uporabe samopovratnih varovalnih naprav (SRD) Rebel morajo novi uporabniki in uporabniki, ki naprave uporabljajo občasno, prebrati »Varnostne informacije« na začetku tega priložnika.*

- 4.1 PRED VSAKO UPORABO:** Preverite, ali vaše delovno območje in sistem za zaščito pred padcem izpolnjujeta vse zahteve, ki so določene v teh navodilih. Prepričajte se, da je izdelan uraden načrt reševanja. Izdelek pregledajte skladno z mesti pregleda »Uporabnika«, določenimi v »Dnevniku pregledov in vzdrževanja«. Če pregled odkrije nevarno ali okvarjeno stanje ali dvomi o njegovem stanju za varno uporabo, izdelek takoj odstranite iz uporabe. Na vidno mesto namestite oznako »NE UPORABLJAJ«. Za več informacij glejte razdelek 5.
- 4.2 PO PADCU:** Opremo, ki je bila izpostavljena silam zaustavljanja padca ali na kateri so ugotovljene poškodbe, enake tistim, ki nastanejo ob delovanju sil zaustavljanja padca, kot je opisano v razdelku 5, morate nemudoma prenehati uporabljati, označiti z napisom »NEUPORABNO« in jo dati v pregled in popravilo, kot je navedeno v razdelkih 5 in 6.
- 4.3 PODPORA TELESU:** Pri uporabi samopovratnih varovalnih naprav 3M (SRD) je treba nositi varnostno-pozicijski pas za celo telo. Za splošno zaščito pri padcu se priporoča povezava s hrbtno D-sponko. Za situacije, kot je npr. plezanje po lestvi, je priporočljivo, da zapiralo vpnete v prsno D-sponko. Za podrobnosti glede pripenjanja veznih točk varovalno-pozicijskega pasu preberite navodila proizvajalca varovalno-pozicijskega pasu.
- 4.4 POVEZOVANJE:** Ko za povezavo uporabljate zapiralo, zagotovite, da se ne bi naključno odprlo (glejte sliko 5). Ne uporabljajte vponk-kavelj ali priprav za spenjanje, ki se ne morejo zapreti do konca zaradi neustrezne oblike priprave za pripenjanje. Ne uporabljajte zaskočnih zapiral, ki se ne zaklenejo. Montažna površina mora ustrezati zahtevam glede moči sidrišča, ki so navedene v razdelku 2.2. Sledite proizvajalčevim navodilom, ki so priložena vsakemu sistemskemu delu.
- 4.5 DELOVANJE:** Pregledajte samopovratno varovalno napravo (SRD), kot je opisano v razdelku 5.0. Povežite samopovratno varovalno napravo (SRD) z ustreznim sidriščem ali priključkom sidrišča, kot je opisano zgoraj. Samozaklepno zaskočno zapiralo, nameščeno na koncu rešilne vrvi, vpnete v hrbtno D-sponko na varovalno-pozicijskem pasu za celotno telo (glejte sliko 10). Zagotovite, da so priprave za spenjanje združljive glede velikosti, oblike in moči. Preverite, da je zapiralo v celoti zaprto in zaklenjeno. Ko je delavec privezan, se lahko prosto giblje znotraj priporočenega delovnega območja z običajno hitrostjo. Če je izbirni gumb RSQ nameščen v položaj »Zaustavitev padca« (Fall Arrest), bo samopovratna varovalna naprava (SRD) ustavila padec. Če je izbirni gumb RSQ nameščen v položaj »Spust« (Descent), bo samopovratna varovalna naprava (SRD) samodejno spustila uporabnika na nižjo raven. Pri delu s samopovratno varovalno napravo (SRD) vedno omogočite, da se ta kontrolirano uvleče nazaj v napravo. Za podaljšanje ali krajšanje rešilne vrvi med povezavo ali odstranjevanjem povezave boste morda potrebovali pomožno vrvo za pripenjanje na sistem. Pomožna vrva za pripenjanje na sistem se lahko uporablja, da prepreči nenadzorovani poteg in navijanje rešilne vrvi v ohišje samopovratne varovalne naprave (SRD). Glede na razmere na delovišču bo morda potrebno pritrditi prosti konec pomožne vrvi za pripenjanje na sistem, da se preprečijo motnje in zapletanje z opremo ali stroji.
- 4.6 DELOVANJE SISTEMA ZA PONASTAVLJANJE:** Na sliki 12 je prikazana uporaba vgrajenega sistema za ročno reševanje na napravi za ponastavljanje Rebel SRD-R. Ponastavljanja ne poskušajte izvajati, ko je reševalna vrva do konca navita. Da aktivirate sistem za ponastavljanje in uporabite sistem za ročno reševanje, naredite naslednje:
1. Iz ohišja izvlcite vgrajeno ročico za ponastavljanje, da sprostite ročni vzvod.
  2. Ročico za ponastavljanje zavrtite ven iz ohišja naprave SRD 180°.
  3. Izvlcite in zadržite gumb za zaklepanje/odklepanje ponastavljanja v položaju za odklepanje.
  4. Potisnite ročni vzvod navznoter in izpusite gumb za zaklepanje/odklepanje ponastavljanja. Po potrebi obrnite ročni vzvod v smeri urnega kazalca, da pomagate pri zagonu reševalnega sistema.
  5. Dvignite in spustite reševalno vrvo, kot kaže slika 12:
    - A. Za dviganje: Obrnite ročni vzvod v smeri, nasprotni urnemu kazalcu.
    - B. Za spuščanje: Ročni vzvod rahlo obrnite v nasprotni smeri urnega kazalca, da sprostite zavoro za preprečevanje padca, nato pa jo zavrtite v smeri urnega kazalca.

*Vgrajeni sistem za ročno reševanje na modelih samopovratne varovalne naprave za 3-potno nujno ponastavljanje (SRD-R) se lahko uporablja samo za reševanje ob padcu in se ne sme uporabljati za določanje položaja pri izvajanju del ali za dviganje/spuščanje gradbenega materiala.*

*Naprave Rebel SRD-R nimajo preobremenitvene sklopke, ki omejuje silo na pogonske komponente in priključeno osebo. Med ponastavljanjem se izogibajte položajem, pri katerih je vrva zrahljana (ni napeta). Poleg tega je treba med dviganjem osebo opazovati, da se prepričate, da ni izpostavljena pretirani sili zaradi zapletov, ki ovirajo dviganje.*



Za spuščanje ali odvijanje reševalne vrvi je zahtevana najmanjša obremenitev 33,9 kg (75 lb.). Za uporabo polno obremenjenega sistema za ponastavljanje je zahtevana sila 0,13 kN (30 lb.).

Prekinite delo z ročnim vzvodom, ko je vrv popolnoma izvlečena ali navita. Neprekinjeno obračanje lahko poškoduje dele.

#### 4.7 IZKLOP SISTEMA PONASTAVLJANJA: Za izklop sistema ponastavljanja:

Ko se sistem ponastavljanja izklopi, se vsaka izvlečena rešilna vrv navije v ohišje samopovratne varovalne naprave (SRD). Da se izognete morebitnim poškodbam, pred izklopom navijte rešilno vrv do konca ali jo čvrsto držite, da se vam med izklopom ne izmuzne.

1. Odstranite vse obremenitve z rešilne vrvi.
2. Izvlecite in zadržite gumb za zaklepanje/odklepanje ponastavljanja v položaju za odklepanje.
3. Povlecite ročni vzvod navzven, da ga izklopite in nato sprostite gumb za zaklepanje/odklepanje ponastavljanja.
4. Izvlecite in za 180 stopinj zavrtite ročico za ponastavljanje proti ohišju naprave SRD v pospravljen položaj.

## 5.0 PREGLED

Po odstranitvi opreme iz uporabe je ne smete vrniti v uporabo, dokler pristojna oseba pisno ne potrdi, da je to primerno.

- 5.1 POGOSTOST PREGLEDOV:** Uporabnik mora izdelek pregledati pred vsako uporabo, poleg tega pa v intervalih enkrat letno še pristojna oseba, ki ni uporabnik. Če opremo uporabljate bolj pogosto in v zahtevnejših pogojih, boste morda morali povečati pogostost pregledov s strani pristojne osebe. Pogostost teh pregledov mora določiti pristojna oseba v skladu s točno določenimi pogoji na delovišču.
- 5.2 POSTOPKI PREGLEDOV:** Izdelek preglejte v skladu s postopki v »Dnevniku pregledov in vzdrževanja«. Lastnik te opreme mora vzdrževati dokumentacijo o vsakem pregledu. Dnevnik pregledov in vzdrževanja mora biti v bližini izdelka ali drugače enostavno dostopen uporabnikom. Priporočljivo je, da je ta izdelek označen z datumom naslednjega ali zadnjega pregleda.
- 5.3 NAPAKE:** Če izdelka ni mogoče vrniti v uporabo zaradi obstoječe napake ali nevarnega stanja, ga morate uničiti ali pa ga poslati družbi 3M oziroma pooblaščenemu servisnemu centru družbe 3M v popravilo.
- 5.4 ŽIVLJENJSKA DOBA IZDELKA:** Funkcionalna življenjska doba izdelka je odvisna od delovnih pogojev in vzdrževanja. Dokler izdelek med pregledom izpolnjuje merila za uporabnost, ga lahko uporabljate.

## 6.0 VZDRŽEVANJE, SERVISIRANJE IN SKLADIŠČENJE

Na opremo, ki zahteva vzdrževanje ali je naročena na vzdrževanje, morate namestiti oznako »NE UPORABLJAJ«. Teh oznak ne smete odstraniti z opreme, dokler ne opravite vzdrževanja.

- 6.1 ČIŠČENJE:** Za postopek čiščenja samopovratne varovalne naprave (SRD) upoštevajte naslednje:
- Občasno očistite zunanost samopovratne varovalne naprave (SRD) z vodo in blago milnico. Namestite samopovratno varovalno napravo (SRD) tako, da se odvečna voda lahko odcedi. Napisne ploščice/nalepke očistite, kot je zahtevano.
  - Reševalno vrv očistite z vodo in nežnim čistilom. Sperite in temeljito osušite na zraku. Ne uporabljajte prisilnega sušenja s toploto. Pretirana nakopičena umazanija, barva ipd. lahko preprečijo uvlečenje rešilne vrvi v ohišje, kar lahko povzroči nevarnost prostega padca. Reševalno vrv zamenjajte, če se na njej nakopiči pretirano umazanije.
- 6.2 SERVIS:** Dodatno vzdrževanje in servisiranje mora izvajati pooblaščen servisni center. Ne poskušajte razstavljati samopovratne varovalne naprave (SRD) ali mazati njenih delov.
- 6.3 SKLADIŠČENJE IN PREVOZ:** Samopovratno varovalno napravo prevažajte in skladiščite v hladnem, suhem in čistem prostoru, zaščitenem pred neposredno sončno svetlobo. Izogibajte se območjem, kjer obstaja verjetnost kemičnih hlapov. Samopovratne varovalne naprave (SRD) temeljito preglejte po vsakem daljšem obdobju neuporabe.

## 7.0 OZNAKE

Na sliki 19 so prikazane oznake/nalepke na samopovratnih varovalnih napravah Rebel skupaj z njihovimi lokacijami. Vse napisne ploščice/nalepke na samopovratni varovalni napravi (SRD) morajo biti vedno razvidne. Nečitljive napisne ploščice/nalepke morate zamenjati. Na posamezni napisni ploščici/nalepki so navedene naslednje informacije:

(A)	1) Preverite zaskočno kljuko in kazalnik udarca. 2) Preverite delovanje zaklepanja pri samopovratni varovalni napravi (SRD). 3) Reševalno vrv, ki je vpeta na samopovratno varovalno napravo (SRD), pripnite v hrbtno sponko varovalno-pozicijskega pasu. 4) Uporabljati samo za vertikalne vrvene varovalne linije. Sidrne točke nikoli ne smete postaviti pod hrbtno sponko varovalno-pozicijskega pasu. 4A) Za nivo sidrišča na hrbtni sponki varovalno pozicijskega pasu ali pod njo je zahtevana naprava SRD-LE z vodilnim robom. 4B) Uporabljati samo za vertikalne vrvene varovalne linije. Sidrne točke nikoli ne smete postaviti pod hrbtno sponko varovalno-pozicijskega pasu. 5) Temperaturno območje -40°C - 60°C 6) Največja obremenitev - 140 kg 7) Nadzorujte povratek reševalne vrvi v samopovratno varovalno napravo (SRD). Nikoli ne smete dovoliti, da se rešilna vrv navija brez nadzora. 8) Delajte neposredno pod sidrno točko, v kateri je pritrjena samopovratna varovalna naprava SRD, da bo nihanje pri padcu čim manjše. 9) Ne smete izvajati popravil. Odobritev za popravila tega izdelka imajo samo pooblaščen servisni centri. 10) Samopovratne varovalne sisteme vrvi (SRL) hranite na hladnem, suhem in čistem mestu, stran od neposredne sončne svetlobe. 11) Ne obešajte ohišja samopovratne varovalne naprave SRD nad strukturami z ostrimi robovi. 12) Napisnih ploščic/nalepk ne smete odstranjevati. 13) Preberite vsa navodila. 14) Priglašena identifikacijska številka (ID) ohišja. 15) Mesec naslednjega pregleda 16) Leto naslednjega pregleda 17) Leto in mesec proizvodnje 18) Številka serije 19) Številka modela 20) Dolžina reševalne vrvi 21) Serijska številka
(B)	Obrnite ročni vzvod v smeri urnega kazalca, da spustite reševalno vrv. Obrnite ročni vzvod v smeri, nasprotni urnemu kazalcu, da dvignete reševalno vrv.
(C)	1) Izvlecite ročico za ponastavljanje. 2) Ročico za ponastavljanje izvlecite iz ohišja naprave SRD-R. 3) Izvlecite gumb za zaklepanje/odklepanje ponastavljanja in ga zadržite. 4) Potisnite ročni vzvod navznoter in ga nekoliko obrnite v smeri urnega kazalca. 5) Izpustite gumb za zaklepanje/odklepanje ponastavljanja.

**Tabela 3 – Dnevnik pregledov in vzdrževanja**

<b>Serijske številke:</b>	<b>Datum nakupa:</b>
<b>Številka modela:</b>	<b>Datum prve uporabe:</b>
<b>Pregledal:</b>	<b>Datum pregleda:</b>

<b>Sestavni del:</b>	<b>Pregled:</b>	<b>Uporabnik</b>	<b>Pristojna oseba</b>
Samopovratna varovalna naprava (SRD) (Slika 13)	Preglejte za zrahljane elemente in upognjene ali poškodovane dele.	<input type="checkbox"/>	<input type="checkbox"/>
	Preglejte ohišje (A), da ugotovite morebitne deformacije, razpoke ali druge poškodbe.	<input type="checkbox"/>	<input type="checkbox"/>
	Preglejte vrtljivo sponko (B), da ugotovite morebitne deformacije, razpoke ali druge poškodbe. Vrtljiva sponka mora biti varno pritrjena na samopovratno varovalno napravo (SRD), vendar se mora prosto vrteti.	<input type="checkbox"/>	<input type="checkbox"/>
	Reševalna vrv (C) se mora v celoti izvleči in uvleči brez zastojev ali zrahljanosti.	<input type="checkbox"/>	<input type="checkbox"/>
	Zagotovite, da se naprava varovalno napravo odstraniti iz uporabe in pregledati. Kazalnika udarca ne smete ponastavljati. Samopovratno varovalno napravo vrnite pooblaščenemu servisnemu centru za ponastavitve. OPOMBA: Ko je kazalnik udarca v opozorilnem položaju (na zaskočni kljuki je razviden rdeči obroček), se vrtljiva kljuka ne bo prosto vrtela.	<input type="checkbox"/>	<input type="checkbox"/>
	Vse napisne ploščice/nalepke morajo biti nameščene in popolnoma čitljive (oglejte si sliko 19).	<input type="checkbox"/>	<input type="checkbox"/>
	Poiščite morebitne znake korozije na celotni enoti.	<input type="checkbox"/>	<input type="checkbox"/>
Vrtljiva zaskočna kljuka in kazalnik udarca (Slika 14)	Preglejte vrtljivo zaskočno kljuko, da ugotovite morebitne poškodbe in sledi korozije ter preverite, ali pravilno deluje. Tečaj se mora prosto vrteti. Preglejte kazalnik udarca. Če je prikazan rdeč pas (opozorilni položaj), je prišlo do udarne bremenitve, kar pomeni, da je treba samopovratno varovalno napravo odstraniti iz uporabe in pregledati. Kazalnika udarca ne smete ponastavljati. Samopovratno varovalno napravo vrnite pooblaščenemu servisnemu centru za ponastavitve. OPOMBA: Ko je kazalnik udarca v opozorilnem položaju (na zaskočni kljuki je razviden rdeči obroček), se vrtljiva kljuka ne bo prosto vrtela.	<input type="checkbox"/>	<input type="checkbox"/>
Žična reševalna vrv (Slika 15)	Preglejte jekleno vrv, da ugotovite morebitne zareze, kolena (pregibe) (A), prekinjene žice v jekleni vrvi (B), radialne deformacije zaradi močnega pritiska (C), zvarjena mesta zaradi močnega pritiska (D), sledi korozije, poškodovane dele vrvi zaradi stika s kemikalijami ali močno odrgnjene dele vrvi. Odbijač kabla (E) povlecite navzgor, da zdrsne vzdolž kabla in razkrije kabelski končnik (F) ter preverite, da na kabelskem končniku ni razpok ali poškodb, preglejte tudi dele jekleni vrvi, ki so prekriti z odbijačem, in preverite, ali je katera žica prekinjena in ali obstajajo sledi korozije. Zamenjajte sklop žične vrvi, če je v enem spletu šest ali več naključno razporejenih poškodovanih žic oz. tri ali več poškodovanih žic v enem spletu. »Splet« žične vrvi je dolžina žične vrvi, ki je potrebna, da en pramen (pletan iz več žic) naredi poln krog pri zasuku okrog vrvi. Zamenjajte sklop jeklene vrvi, če je vsaj ena prekinjena žica na območju 25 mm (1 in.) od kabelskega končnika.	<input type="checkbox"/>	<input type="checkbox"/>
Rezervna reševalna vrv (Slika 16)	Preglejte rezervno reševalno vrv in ugotovite, da ni zrahljana. Če je bil med ustavljanjem padca večji del reševalne vrvi izvlečen, je rezervna reševalna vrv najbrž izrabljena. Reševalno vrv vlecite iz samopovratne reševalne naprave (SRD), dokler se ne ustavi. Če se prikaže rdeči trak (G), je rezervna reševalna vrv izrabljena in enoto je treba takoj umakniti iz uporabe in dati v popravilo pooblaščenemu servisnemu centru.	<input type="checkbox"/>	<input type="checkbox"/>
Blažilnik udarcev SRD-LE (Slika 17)	Pri samopovratnih reševalnih napravah z možnostjo vodilnega roba (SRD-LEs) se prepričajte, da se ni aktiviral vgrajeni blažilnik udarcev. Najlonski/poliestrski trak ne sme biti izvlečen iz pokrova (A). Pokrov mora biti varno zaprt in ne sme biti raztrganih mest (B) ali drugih poškodb.	<input type="checkbox"/>	<input type="checkbox"/>
Sistem ponastavljanja in vgrajeni sistem za ročno reševanje (slika 18)	Preglejte ročni vzvod (A) in zagotovite, da ni deformacij, razpok ali drugih poškodb. Zagotovite, da lahko ročico za ponastavljanje (B) izvlečete in namestite v položaj za obračanje.	<input type="checkbox"/>	<input type="checkbox"/>
	Zagotovite, da se lahko gumb za zaklepanje/odklepanje ponastavljanja (C) izvleče in namesti v odklenjen položaj in da po sprostitvi omogoči vklop oziroma izklop ročnega vzvoda za dviganje ali spuščanje uporabnika pri padcu.	<input type="checkbox"/>	<input type="checkbox"/>
	Pravilno delovanje funkcije ponastavljanja lahko preizkusite s spuščanjem in dviganjem vsaj 34 kg (75 lb.) težkega bremena. Ko izpustite ročico za ponastavljanje, se teža ne sme premakniti in ročica za ponastavljanje mora ostati v enakem položaju (brez premikanja). Pri dviganju bremena morate slišati »klikajoči« zvok.	<input type="checkbox"/>	<input type="checkbox"/>

<b>Korektivni ukrep/vzdrževanje:</b>	Odobril/-a:	Rok za naslednji pregled:
	Datum:	
<b>Korektivni ukrep/vzdrževanje:</b>	Odobril/-a:	Rok za naslednji pregled:
	Datum:	
<b>Korektivni ukrep/vzdrževanje:</b>	Odobril/-a:	Rok za naslednji pregled:
	Datum:	
<b>Korektivni ukrep/vzdrževanje:</b>	Odobril/-a:	Rok za naslednji pregled:
	Datum:	
<b>Korektivni ukrep/vzdrževanje:</b>	Odobril/-a:	Rok za naslednji pregled:
	Datum:	
<b>Korektivni ukrep/vzdrževanje:</b>	Odobril/-a:	Rok za naslednji pregled:
	Datum:	
<b>Korektivni ukrep/vzdrževanje:</b>	Odobril/-a:	Rok za naslednji pregled:
	Datum:	
<b>Korektivni ukrep/vzdrževanje:</b>	Odobril/-a:	Rok za naslednji pregled:
	Datum:	

Läs igenom, se till att du förstår och följ all säkerhetsinformation i den här bruksanvisningen innan du använder denna produkt. FÖRBISEENDE AV DETTA KAN LEDA TILL ALLVARLIGA PERSONSKADOR ELLER DÖDSFALL.

Dessa anvisningar måste lämnas till den som ska använda den här utrustningen. Spara dessa anvisningar för framtida referens.

## Avsedd användning:

Denna produkt används som en del av ett komplett fallskyddssystem.

Användning i andra syften, inklusive materialhantering, fritids- och idrottsaktiviteter eller andra aktiviteter som inte beskrivs i anvisningarna, godkänns inte av 3M och kan leda till allvarlig personskada eller dödsfall.

Produkten får endast användas av utbildade användare för professionellt bruk.



## VARNING

Denna produkt används som en del av ett komplett fallskyddssystem. Alla användare måste vara fullt utbildade i säker installation och användning av hela fallskyddssystemet. **Felaktig användning av produkten kan leda till allvarliga personskador eller dödsfall.** Se alla bruksanvisningar och tillverkarens rekommendationer för korrekt val, användning, installation, underhåll och service. Prata med din chef eller kontakta 3M:s tekniska kundtjänst för mer information.

### För att minska riskerna i samband med att använda en självindragande enhet, som om de inte undviks, kan leda till allvarliga personskador eller dödsfall:

- Inspektera produkten före varje användning och efter varje fall, i enlighet med de procedurer som anges i dessa anvisningar.
- Om osäkra eller defekta tillstånd upptäcks vid besiktning ska produkten omedelbart tas ur bruk och tydligt märkas med "FÅR EJ ANVÄNDAS". Förstör eller reparera produkten enligt kraven i dessa anvisningar.
- Varje produkt som har utsatts för fallstopp eller fallkraft måste omedelbart tas ur bruk. Förstör eller reparera produkten enligt kraven i dessa anvisningar.
- Se till att fallskyddssystem som monterats av komponenter tillverkade av olika tillverkare är kompatibla och uppfyller alla tillämpliga fallskyddsbestämmelser, standarder och krav. Rådgör alltid med en kompetent eller kvalificerad person före användning av dessa system.
- Se till att livlinan inte utsätts för någon risk, inklusive men inte begränsat till: att användare, andra arbetare, rörliga maskiner eller andra omgivande föremål fastnar i linan, eller stötar från överliggande föremål som kan falla på livlinan eller användarna.
- Vrid, bind, knyt eller tillåt inte slack i livlinan.
- Undvik snubbelrisk med livlinans ben. Om utrustat fäster du eventuella oanvända ben till livlinan vid kopplingslinans parkeringsfästen.
- Överskrid inte tillåtet antal användare som anges i anvisningarna.
- Använd inte där det finns hinder i fallvägen. Fri väg är nödvändig för att låsa den självindragande enheten. Arbeta på långsamt glidande material (t.ex. sand eller spannmål) eller i trånga eller begränsade utrymmen, medger eventuellt inte tillräcklig hastighet för att låsa den självindragande enheten.
- Undvik plötsliga eller snabba rörelser under arbetet eftersom detta kan orsaka att den självindragande enheten oavsiktligt låser sig.
- Iakttå försiktighet vid installation, användning och förflyttning av produkten eftersom delar i rörelse kan ge upphov till klämpunkter.
- Använd lämpligt kantskydd när livlinan kan komma i kontakt med vassa kanter eller slipande ytor.
- Ta omedelbart produkten ur bruk om den har använts vid en nedstigning.
- Se innan användning till att nedstigningsvägen och landningsområdet är fria från hinder eller faror.
- Se till att produkten är konfigurerad och installerad på rätt sätt för säker användning enligt beskrivningen i anvisningarna.

### Så här minskar du riskerna för allvarliga personskador eller dödsfall vid arbete på höga höjder:

- Din hälsa och sitt fysiska tillstånd måste tillåta dig att arbeta säkert på höga höjder och motstå alla krafter som är förknippade med ett fallstopp. Rådgör med läkare om du har frågor kring din förmåga att använda den här utrustningen.
- Överskrid aldrig din fallskyddsutrustnings godkända kapacitet.
- Överskrid aldrig den högst tillåtna fria fallhöjden som anges för din fallskyddsutrustning.
- Använd aldrig fallskyddsutrustning som inte godkänts vid besiktning, eller om du är osäker på huruvida utrustningen kan användas eller är lämplig. Vänd dig till 3M:s tekniska kundtjänst vid eventuella frågor.
- Vissa kombinationer av delsystem och komponenter kan störa utrustningens funktionsduglighet. Använd endast kompatibla kopplingar. Kontakta 3M:s tekniska kundtjänst innan du använder denna utrustning i kombination med andra komponenter eller delsystem än de som beskrivs i anvisningarna.
- Var extra försiktig vid arbete i närheten av rörligt maskineri, elfara, höga temperaturer, kemiska faror, explosiva eller giftiga gaser, skarpa kanter, slipande ytor eller under ovanliggande material som kan falla ner på dig eller din fallskyddsutrustning.
- Se till att användningen av produkten är klassad för de faror som finns i arbetsmiljön.
- Se till att det finns tillräcklig fallmarginal vid arbete på höga höjder.
- Modifiera eller ändra aldrig din fallskyddsutrustning. Endast 3M eller personer som auktoriserats skriftligen av 3M får utföra reparationer på 3M-utrustning.
- Innan du använder fallskyddsutrustning ska du se till att det finns en skriftlig räddningsplan för att snabbt komma till undsättning om en fallincident inträffar.
- Vid fall måste arbetaren som fallit få omedelbar läkarvård.
- Använd endast en helkroppssesle för fallskyddstillämpningar. Använd inte ett kroppsbälte.
- Minimera risken för pendelfall genom att arbeta med förankringspunkten så rakt ovanför dig som möjligt.
- Ett sekundärt fallskyddssystem måste användas vid träning med denna produkt. Praktikanter får inte utsättas för oavsiktlig fallrisk.
- Använd alltid lämplig personlig skyddsutrustning vid installation, användning eller inspektion av produkten.
- Arbeta aldrig under en hängande last eller arbetare.
- Tillämpa alltid 100 % avbindning.

Anteckna ID-etikettens produktidentifieringsuppgifter i besiktnings- och underhållsloggen på baksidan av denna bruksanvisning innan utrustningen används.

Se alltid till att du använder den senaste upplagan av 3M-bruksanvisningen. Gå till 3M:s webbplats eller kontakta 3M:s tekniska support för information om aktuella bruksanvisningar.


## BESKRIVNING:

I figur 2 visas huvudkomponenterna i Protecta Rebel självindragande enheter (SRD:er). Rebel SRD-enheter är vajerlivlinor (A) på trumma som dras in i en kåpa (B) av termoplast eller aluminium. De kan hänga från en förankring via en karbinhake som är fäst genom svivelöglan (C) ovanpå SRD-enheten. En självlåsande automatkrok (D) på änden av livlinan fäster vid den avsedda fallstoppsanslutningen på en helkroppssele. En stötfångare (E) skyddar vajern och ringarna som håller fast automatkroken från nötning och korrosion.


I figur 1 visas de Rebel SDR-modeller som denna bruksanvisning gäller. Följande SRD-typer finns tillgängliga:

- **Självindragande enhet (figur 2A):** Självindragande enheter (SRD:er) är lämpliga för tillämpningar där livlinan i allmänhet är vertikal under användning och möjligt fritt fall är begränsat till 0,6 m (2 ft).
- **Självindragande enhet med framkantskapacitet (figur 2B):** Självindragande enheter med framkantskapacitet (SRD-LE:er) är lämpliga för tillämpningar där livlinan i allmänhet är horisontell under användning och möjligt fritt fall är begränsat till 1,5 m (5 ft). SRD-LE-enheter har en inbyggd energiabsorberare (F) eller liknande komponent för att motstå stöbelastningar på livlinan över en vass eller nötande kant under fallstopp och för att minimera fallstoppskrafterna på användaren.
- **Självindragande enhet med räddning (figur 2C):** Självindragande enheter med räddningsfunktion (SRD-R:er) omfattar en inbyggd funktion för assisterad räddning genom att lyfta eller sänka ned den som räddas. SRD-R-enheter är utrustade med en trevägshandvev för nödräddning (G). Vissa modeller kan vara utrustade med ett stativfäste (H) för montering av SRD-R-enheten på benet på ett stativ för användning i begränsade utrymmen.

Tabell 1 – Specifikationer

 Kåpor	Material
9508320 + 9520047	Aluminium – 15 m (50 ft) SRD-R-enheter
9511070 + 9511071	Termoplast – 6 m (20 ft) SRD-enheter, 10 m (33 ft) SRD-enheter och 6 m (20 ft) SRD-LE-enheter med framkantskapacitet
9520021 + 9520022	Aluminium – 6 m (20 ft) och 10 m (33 ft) SRD-enheter
9520044 + 9520045	Termoplast – 15 m (50 ft) SRD-enheter och 10 m (33 ft) SRD-LE-enheter med framkantskapacitet
9520046 + 9520047	Aluminium – 15 m (50 ft) SRD-enheter
9520056 + 9520057	Termoplast – 20 m (66 ft), 25 m (82 ft), 30 m (100 ft) SRD-enheter
9520058 + 9520059	Aluminium – 20 m (66 ft), 25 m (82 ft) och 30 m (100 ft) SRD-enheter

 Livlina	Beskrivning	Krok
9501087 + 2000175	5,56 mm (7/32 tum) galvaniserad stål vajerlina med självlåsande, vridbar automatkrok av stållegering med indikator.	2000175
9501479 + 2000175	4,76 mm (3/16 tum) galvaniserad stål vajerlina med självlåsande, vridbar automatkrok av stållegering med indikator.	2000175
9501613 + 2000170	4,76 mm (3/16 tum) vajerlina av rostfritt stål med självlåsande, vridbar karbinhake av rostfritt stål med indikator.	2000170
9501613 + 2000175	4,76 mm (3/16 tum) vajerlina av rostfritt stål med självlåsande, vridbar automatkrok av stållegering med indikator.	2000175
9501613 + 2100044	4,76 mm (3/16 tum) vajerlina av rostfritt stål med självlåsande, vridbar automatkrok av rostfritt stål med indikator.	2100044

Krok	Beskrivning	Material	Öppningsstyrka	Halsstorlek
2000170	Självlåsande vridbar karbinhake med stötindikator	Rostfritt stål	16 kN (3 600 lbf)	1,9 cm (0,75 tum)
2000175	Självlåsande vridbar automatkrok med stötindikator	Zinkpläterat stål	16 kN (3 600 lbf)	1,9 cm (0,75 tum)
2100044	Självlåsande vridbar automatkrok med stötindikator	Rostfritt stål	16 kN (3 600 lbf)	1,9 cm (0,75 tum)

**Tabell 1 – Specifikationer**

<b>Vajerlivlinans draghållfasthet:</b>	9501479 – 4,76 mm (3/16 tum) dia. galvaniserat stål Min. Draghållfasthet 18,7 kN (4 200 lbf) 9501613 – 4,76 mm (3/16 tum) dia. rostfritt stål Min. Draghållfasthet 16,0 kN (3 600 lbf) 9501087 – 5,55 mm (7/32 tum) dia. galvaniserat stål Min. Draghållfasthet 24,9 kN (5 600 lbf)
<b>Maximal lyftbelastning för SRD-R:</b>	135 kg (298 lb)
<b>Förankringsstyrka</b>	12 kN (2,697 lbf)

**Specifikationer för SRD**

Specifikationer för SRD	EG-modeller (EN 360)
<b>Kapacitet:</b>	59–140 kg (130 –310 lb)
<b>Maximal stoppkraft:</b>	6 kN (1 350 lbf)
<b>Genomsnittlig stoppkraft:</b>	4,0 kN (900 lbf)
<b>Maximal stopplängd:</b> <i>*Utgår från att SRD-enheten är monterad rakt ovanför användaren.</i>	1,1 m (42 tum)
<b>Minsta erforderliga fallmarginal:</b> <i>*Utgår från att SRD-enheten är monterad rakt ovanför användaren.</i>	1,8 m (6 ft)
<b>Maximalt fritt fall:</b> <i>*SRD-enheten måste monteras ovanför användarens D-ring.</i>	0,6 m (2 ft)

**Specifikationer för SRD-LE**

Specifikationer för SRD-LE	EG-modeller (EN 360 + CNB/P/11.060)
<b>Kapacitet:</b>	59–140 kg (130 –310 lb)
<b>Maximal stoppkraft:</b>	6 kN (1 350 lbf)
<b>Genomsnittlig stoppkraft:</b>	4 kN (900 lbf)
<b>Maximal stopplängd:</b> <i>*Utgår från att SRD-enheten är monterad rakt ovanför användaren.</i>	1,1 m (42 tum)
<b>Minsta erforderliga fallmarginal:</b>	Vertikalt: 1,8 m (6 fot) Horisontellt: 5,03 m (16,5 ft)
<b>Maximalt fritt fall:</b> <i>*SRD-enheten måste monteras ovanför användarens D-ring.</i>	0,6 m (2 ft)
<b>Maximalt fritt fall – LE:</b> <i>*Mätt från användarens D-ring till arbetsytan.</i>	1,5 m (5 ft)

## 1.0 TILLÄMPNINGAR

- 1.1 SYFTE:** 3M självindragande enheter (SRD:er) är utformade för att utgöra komponenter i personliga fallskyddssystem (PFAS). Figur 1 visar SRD:er som omfattas av denna bruksanvisning och typiska användningsområden. De kan användas i de flesta situationer där både arbetsförlighet och fallskydd krävs (dvs. besiktningarbete, allmänt byggarbete, underhållsarbete, oljeproduktion, arbete i trånga utrymmen osv.).
- 1.2 STANDARDER:** SRL-blocket överensstämmer med de nationella standarder som återges på framsidan av dessa instruktioner. Om denna produkt återförsäljs utanför det ursprungliga mottagarlandet, måste återförsäljaren tillhandahålla denna bruksanvisning på språket i det land där produkten kommer att användas.
- 1.3 UTBILDNING:** Denna utrustning är avsedd att installeras och användas av personer som är utbildade i korrekt tillämpning och användning av den. Det är användarens ansvar att vara insatt i dessa instruktioner, och att ha korrekt utbildning i skötsel och användning av denna utrustning. Användaren måste också vara medveten om funktionsegenskaper, tillämpningsbegränsningar och följderna av felaktig användning av denna utrustning.
- 1.4 BEGRÄNSNINGAR:** Ta alltid hänsyn till dessa begränsningar och krav när utrustningen installeras eller används.

- **Kapacitet:** Denna SRD har testats med avseende på överensstämmelse för användning av en person med en sammanlagd vikt (kläder, verktyg osv.) på 59 kg (139 lb) till 140 kg (310 lb).<sup>1</sup> Se till att alla komponenter i systemet är märkta för den kapacitet som krävs för tillämpningen.
- **Förankring:** Kraven på förankring varierar mellan olika fallskyddstillämpningar. Den konstruktion som förankringskopplingen placeras eller monteras på måste uppfylla de i tabell 1 definierade förankrings-specifikationerna.
- **Låsningshastighet:** Arrangemang som inte medger obehindrad fallväg bör undvikas. Arbete i begränsade eller trånga utrymmen betyder eventuellt att kroppen inte når tillräckligt hög hastighet för att SRD:n ska låsas vid ett fall. Arbete på långsamt glidande material, t.ex. sand eller spannmål, kan innebära att tillräcklig hastighet inte uppnås för att SRL-blocket ska låsas. Fri fallväg är en förutsättning för säker låsning av SRL-blocket.
- **Fritt fall:** Korrekt användning av SRL-linan ovanför huvudhöjd minimerar avståndet för fritt fall. För att förhindra ett ökat avstånd för fritt fall ska du följa anvisningarna nedan:
  - Du får aldrig klämma, knyta eller på annat sätt förhindra livlinan från att kunna dras in eller förbli spänd.
  - Undvik slack i SRL:s livlina.
  - Arbeta inte ovanför din förankringsnivå.
  - Förläng inte SRL-linor genom tillkoppling av en livlina eller liknande utan att först rådfråga 3M.

För produktspecifik information relaterad till fritt fall och fallmarginalsvärden, se tabell 1 i denna manual.

- **Pendelfall:** Pendelfall inträffar när förankringspunkten inte befinner sig rakt ovanför användaren. Kraften av en träff mot ett föremål i ett pendelfall kan orsaka allvarliga personskador (se figur 3A). Minimera risken vid pendelfall genom att arbeta med förankringspunkten så rakt ovanför dig som möjligt (figur 3B). Konsekvenserna av ett pendelfall och fallmarginalen (FC) blir större med ökande avstånd mellan användaren och förankringspunkten (Figur 3C).
- **Fallmarginal:** Fallmarginalen illustreras i Figur 3B. Fallmarginalen (FC) är summan av fritt fall (FF), retardationsavståndet (DD) och en säkerhetsfaktor (SF):  $FC = FF + DD + SF$ . D-ringsförskjutning och selens sträckning är inkluderade i säkerhetsfaktorn. Fallmarginalvärden har beräknats och visas i figur 4. Säkerhetsfaktorn 1 m (3,28 fot) har använts för alla värden i figur 4.

Figur 3B och 3C visar fallmarginaler. Från en stående position med SRD-enheten förankrad rakt ovanför användaren (Figur 3B) ska SRD fallskyddssystem ha minsta tillåtna fallmarginal enligt uppgifter i Tabell 1. Fall från knästående eller hukad position kommer att kräva fallmarginal på ytterligare 1 meter (3 ft). I en pendelfall-situation (figur 3C) kommer det totala vertikala fallavståndet att vara större än om användaren hade fallit direkt under förankringspunkten, vilket kan kräva ytterligare fallmarginal. Figur 4 och den tillhörande tabellen definierar maximal arbetsradie (C) för olika SRD-förankringshöjder (A) och fallmarginaler (B). Den rekommenderade arbetszonen är begränsad till området innanför den maximala arbetsradien.

- **Risker:** Ytterligare försiktighetsåtgärder kan krävas när utrustningen används i riskfyllda områden, för att minska risken för att användaren eller utrustningen skadas. Riskerna kan vara exempelvis hög värme, frätande kemikalier, korrosiva miljöer, högspänningsledningar, explosiva eller giftiga gaser, maskiner i rörelse eller material på högre höjd som kan falla ned och träffa användare eller fallskyddssystem. Undvik arbete där livlinan kan korsa eller trasslas in i en annan arbetares livlina. Undvik att arbeta där ett föremål kan falla och träffa livlinan. Du kan tappa balansen och livlinan kan skadas. Dra inte livlinan under armarna eller mellan benen.
- **Vassa kanter:** Undvik att arbeta där livlinan kommer att vara i kontakt med, eller kan skavas mot, oskyddade vassa kanter. Täck kanter som inte kan undvikas med skyddande material.

## 2.0 ANVÄNDNING

- 2.1 RÄDDNINGSPLAN:** När denna utrustning används ska arbetsgivaren ha en räddningsplan och resurser för att implementera den, samt delge planen för användare, auktoriserade personer och räddningspersonal.
- 2.2 BESIKTNINGSINTERVALL:** SRD:erna ska inspekteras av en behörig person<sup>2</sup> eller räddningspersonal<sup>3</sup> före varje användning (se tabell 2). Dessutom ska besiktningar utföras av en kompetent person<sup>4</sup> annan än användaren med intervall om högst ett år. Extrema arbetsförhållanden (krävande miljö, lång tids användning osv.) kan kräva tätare besiktningar av

<sup>1</sup> **Kapacitet:** Men 3-vägs SRD:er för nödfallsräddning är klassade för maximal lyftbelastning på 135 kg (298 lb).

<sup>2</sup> **Behörig person:** En person som utsetts av arbetsgivaren att utföra arbeten på platser där personen utsätts för fallrisk.

<sup>3</sup> **Räddare:** Person eller personer, andra än den nödställda, som deltar i utförandet av en räddning med hjälp av ett räddningssystem.

<sup>4</sup> **Kompetent person:** En person som utsetts av arbetsgivaren att ansvara för tillsyn, genomförande och uppföljning av arbetsgivarens fallskyddsprogram och som, genom utbildning och kunskap, kan identifiera, utvärdera och hantera befintliga och potentiella fallrisker, och som av arbetsgivaren tilldelats befogenhet att omedelbart vidta korrigerande åtgärder med avseende på sådana risker.

kompetent person. Besiktningrutiner beskrivs i "Besiktning- och underhållsloggen" (tabell 3). Resultat från en besiktning som utförs av kompetent person ska registreras i "Besiktning- och underhållsloggen" eller registreras med RFID-systemet.

- 2.3 NORMAL FUNKTION:** Normal funktion innebär att livlinan kan dras ut och in utan hinder när användaren rör sig med normal hastighet. Om ett fall inträffar aktiveras ett hastighetsavkännande bromssystem som stoppar fallet och tar upp en stor del av den energi som frigörs. Plötsliga eller snabba rörelser bör undvikas under normala arbetsförhållanden då det kan orsaka att SRL-blocket låser sig. Vid fall när livlinan är nästan helt utdragen begränsas fallstoppskraften av en inbyggd reservanordning eller energiabsorbent. Om en SRD har utsatts för fallstoppskrafter ska den omedelbart tas ur bruk, märkas som "UNUSABLE" och besiktigas och repareras i enlighet med anvisningarna i avsnitt 5 och 6.
- 2.4 KROPPSSTÖD:** En helkroppssele måste användas tillsammans med en självindragande enhet. Selens kopplingspunkt måste vara placerad ovanför användarens tyngdpunkt. Ett kroppsbälte är inte godkänt för användning tillsammans med en självindragande enhet. Ett fall med ett kroppsbälte kan leda till att livlinan släpper oavsiktligt eller fysiskt trauma på grund av otillräckligt kroppsstöd.
- 2.5 KOMPATIBILITET MED KOMPONENTER:** Utrustning från 3M är, om inget annat anges, endast avsedd för komponenter och undersystem som har godkänts av 3M. Byte till icke godkända komponenter eller undersystem kan äventyra utrustningens kompatibilitet och även påverka hela systemets säkerhet och tillförlitlighet. Följ tillverkarens anvisningar för komponenter och undersystem i ditt personliga fallstopssystem.
- 2.6 KOPPLINGARS KOMPATIBILITET:** En koppling anses vara kompatibel med kopplingselement om den är konstruerad för att fungera i kombination på ett sätt så att kopplingens storlek och form inte orsakar att öppningsmekanismen kan öppnas oavsiktligt, oavsett i vilken riktning den vänds. Kontakta 3M om du har frågor om kompatibilitet.

Kopplingar som används för att hänga upp SRD-enheten måste överensstämma med EN362. Kopplingar måste vara kompatibla med förankringar eller andra systemkomponenter. Använd inte utrustning som inte är kompatibel. Icke-kompatibla kopplingar kan lossna av misstag (se figur 5). Kopplingar måste vara kompatibla i storlek, form och styrka. Självläsande automatkrokar och karbinkrokar krävs. Om ett kopplingselement som en automatkrok eller karbinkrok fästs i är underdimensionerat eller har felaktig form, kan en situation uppstå där kopplingselementet anbringas en kraft på automatkrokens eller karbinkrokens (A) öppningsmekanism. Denna kraft kan orsaka att öppningsmekanismen öppnas (B), vilket medför att automatkroken eller karbinkroken kan lossna från kopplingspunkten (C).

- 2.7 KOPPLINGAR:** Automatkrokar och karbinkrokar som används med denna utrustning skall vara självläsande. Kontrollera att alla kopplingar är kompatibla i storlek, form och styrka. Använd inte utrustning som inte är kompatibel. Kontrollera att alla kopplingar är helt stängda och låsta. 3M:s kopplingar (automatkrokar och karbinhakar) är endast avsedda att användas enligt produkternas respektive bruksanvisningar. Figur 6 innehåller exempel på olämpliga anslutningar. Anslut inte automatkrokar och karbinkrokar:
- Till en D-ring som har en annan koppling ansluten.
  - På ett sätt som skulle orsaka en belastning på öppningsmekanismen. Automatkrokar med stora öppningar ska inte anslutas till D-ringar i standardstorlek eller liknande föremål eftersom det orsakar en belastning på öppningsmekanismen om haken eller D-ringen vrids eller roterar, såvida inte automatkroken är utrustad med en öppningsmekanism som klarar 16 kN. Kontrollera automatkrokens märkning för att avgöra om den passar för din tillämpning.
  - I en falsk fastkoppling, där delar som sticker ut på automatkroken eller karbinkroken fastnar i förankringen, och utan visuell bekräftelse tycks vara helt fastkopplade i förankringspunkten.
  - Till varandra.
  - Direkt till vävband, fästlinor eller omtagslinor (såvida inte tillverkarens instruktioner för både kopplingslinan och anslutningen specifikt tillåter sådan anslutning).
  - Till ett föremål som har sådan form eller storlek att automatkroken eller karbinhaken inte stängs, eller om det finns risk för utrullning.
  - På ett sätt som inte tillåter kopplingen att sitta rakt under lasten.

Tabell 2 – Besiktningsschema

Typ av användning	Användningsexempel	Användningsvillkor	Besiktningintervall
			Kompetent person
Sällan till lätt	Räddning och trånga utrymmen, fabriksunderhåll	Goda förvaringsförhållanden, användning inomhus eller sällan utomhus, rumstemperatur, rena miljöer	Årligen
Måttligt till tungt	Transport, husbyggnad, underhåll, lager	Medelgoda förvaringsförhållanden, användning inomhus och långvariga arbetstillfällen utomhus, alla temperaturer, ren eller dammig miljö	Halvårsvis eller årligen
Svårt till kontinuerligt	Kommersiell byggnation, olja och gas, gruvarbete	Svåra förvaringsförhållanden, längre eller kontinuerlig användning utomhus, alla temperaturer, smutsig miljö	Kvartalsvis till halvårsvis

**2.8 SJÄLVINDRAGANDE ENHETER MED FRAMKANTSKAPACITET (SRL-LE):** Denna bruksanvisning gäller för självindragande enheter, SRL-block, med framkantskapacitet (SRL-LE). Figur 1 visar specifika SRL-LE-modeller. SRL-LE har testats för horisontell användning och för fall över stälkanter utan grader. SRL-LE kan användas om fall kan inträffa över stälkanter, t.ex. på konstruktioner av stålbalk eller stålplåt.

**Försiktighetsåtgärder för framkanter:** Vidtag följande försiktighetsåtgärder när du använder SRL-LE:

- Möjlig vinkling av SRL-LE-enhetens utdragna livlina vid kanten där ett fall kan inträffa (vinkeln mellan de två sträckningslinjer som bildas av livlinan vid kanten) får inte vara mindre än 90 grader (se figur 7).
- Förankringspunkten måste sitta på samma höjd som eller högre än kanten där ett fall kan inträffa. Förankringspunkter nedanför kanten är farliga eftersom de kan leda till att livlinan ändrar riktning vid en snävare vinkel än 90 grader (se figur 7).
- I Avsnitt 1 beskrivs begränsningar för det tillåtna arbetsområdet i förhållande till förankringspunkten, inklusive faktorer som pendelfall, slitage på linan vid kanten och användning av en enda förankringspunkt kontra förankringar för horisontell rörelse (t.ex. horisontell livlina eller horisontell skena).
- SRL-LE-enheter får endast användas med en horisontell livlina eller horisontell skena på det sätt som anges i bruksanvisningen för den horisontella livlinan eller horisontella skenan.
- Arbeta inte på den bortre sidan av en öppning i förhållande till SRL-LE-enhetens förankringspunkt.
- Särskilda räddningsåtgärder kan krävas i händelse av ett fall över en kant.
- Vid planering av en framkantstilläpning måste du se till att arbetsområdets parametrar ligger inom minsta smygavstånd, maximal fri fallhöjd och minsta fallmarginal vid fall över en kant, enligt vad som anges på SRL-LE-enhetens etiketter.

**Beräkning av fallmarginal vid fall över en kant:** Den minsta fallmarginal som krävs vid fall över en kant kan beräknas baserat på smygavståndet och avståndet längs kanten i din framkantstilläpning (se figur 8). Så här beräknar du fallmarginalen med hjälp av tabellen i figur 8:

1. Välj värdet som ligger närmast ditt smygavstånd (A) från radrubrikerna på den vänstra sidan.
2. Välj värdet som ligger närmast ditt avstånd längs kanten (B) från kolumnrubrikerna på den högra sidan. Skuggade områden utan värden anger att avståndet längs kanten ligger utanför den säkra arbetsradien för ditt valda smygavstånd.
3. Den marginal som krävs vid fall över en kant (C) kommer att vara det värde som anges där raden som väljs i steg 1 möter kolumnen som väljs i steg 2.
4. Upprepa de föregående stegen för varje kant som det finns risk för att arbetaren kan falla över för att fastställa säker placering av förankringen och tillåten arbetsradie.

**Definitioner av skarpa kanter för CE-märkning:** Dessa CE-märkta självindragande enheter har provats för horisontell användning och för fall över stälkanter utan grader. Smygavståndsbegränsningar som visas i figur 8 måste observeras. Undvik att arbeta där livlinan kommer att vara i kontakt med eller skavas mot vassa eller skrovliga ytor. Undvik sådan kontakt eller skydda kanterna med slittåliga kuddar eller andra medel. Kanttyperna definieras enligt följande:

**VG 11.60 revision 6 Definition av kant typ A:** Under testet användes en stälkant med en radie på  $r=0,5$  mm utan grader. Enligt denna provning kan utrustningen användas över liknande kanter på exempelvis valsade stålprofiler, träbjälkar eller en beklädda rundade takkanter.



### 3.0 INSTALLATION

- 3.1 PLANERING:** Planera ditt fallskyddssystem innan arbetet påbörjas. Ta hänsyn till alla faktorer som kan påverka säkerheten före, under och efter ett fall. Iaktta alla krav och begränsningar som definieras i denna bruksanvisning.
- 3.2 FÖRANKRING:** Figur 9 visar typiska SRD-förankringskopplingar. Förankringen (A) ska sitta rakt ovanför personen för att riskerna för fritt fall och pendelfall ska vara så små som möjligt (se avsnitt 2). Välj en stabil förankringspunkt som klarar statisk belastning enligt avsnitt 2.2. I SRD-enhetens svivelögla sitter en karbinkrok (B). Fäst karbinkroken direkt i förankringsstrukturen (armeringsjärn, vinkeljärn osv.), avbindningsadapter (C) eller förankringspunkt (D).
- 3.3 KOPPLING AV HELKROPPSSELE:** En helkroppssele krävs för fallskyddstillämpningar. Koppla SRD-enhetens automatkrok (A) i helkroppsselens bakre D-ring (B). (se figur 10). I situationer som klättring på stege kan det vara lämpligt att koppla fast livlinan i den främre D-ringen. Närmare information om hur selens kopplingspunkter ska användas finns i tillverkarens anvisningar.
- 3.4 MONTERING PÅ STATIV:** Figur 11 visar monteringen av en Rebel SRD-enhet med en räddningshandvev på ett Protecta-stativ. SRD-R-enheten monteras på ett av stativets ben och livlinan dras genom ett trissystem på stativets huvud. Anvisningarna som medföljer stativet och monteringsfästet innehåller detaljerad information.

### 4.0 ANVÄNDNING

*Personer som sällan eller för första gången använder Rebel SRD-enheter skall läsa igenom säkerhetsinformationen i början av denna manual före användning av SRD-enheten.*

- 4.1 FÖRE VARJE ANVÄNDNING:** Kontrollera att ditt arbetsområde och fallskyddssystemet uppfyller alla kriterier som definieras i dessa instruktioner. Kontrollera att en formell räddningsplan har upprättats. Kontrollera produkten enligt användarens kontrollpunkter som anges i *besiktningss- och underhållsloggen*. Om inspektionen avslöjar ett osäkert eller defekt tillstånd, eller om det uppstår tvivel om produktens tillstånd för säker användning, ska du omedelbart ta produkten ur bruk. Märk den tydligt med "FÅR EJ ANVÄNDAS". Mer information finns i avsnitt 5.
- 4.2 EFTER ETT FALL:** Varje utrustning som har utsatts för fallstoppkraft eller uppvisar skador som motsvarar påverkan av fallstoppkrafter enligt beskrivning i avsnitt 5, måste omgående tas ur bruk, märkas med "FÅR EJ ANVÄNDAS" och besiktas och repareras enligt instruktioner i avsnitt 5 och 6.
- 4.3 KROPPSTÖD:** 3M SRD-block skall användas tillsammans med helkroppssele. För användning som allmänt fallskydd ska livlinan kopplas fast i den bakre D-ringen. I situationer som klättring på stege kan det vara lämpligt att koppla fast livlinan i den främre D-ringen. Närmare information om hur selens kopplingspunkter ska användas finns i tillverkarens anvisningar.
- 4.4 KOPPLING:** Säkerställ att utrullning inte kan inträffa när koppling görs med en krok (se Figur 5). Använd inte krokar eller kopplingar som inte stängs helt över kopplingsföremålet. Använd inte automatkrokar utan självläsande funktion. Monteringsytan måste uppfylla förankringens hållfasthetskrav som anges i avsnitt 2.2. Följ tillverkarens medföljande instruktioner för varje systemkomponent.
- 4.5 ANVÄNDNING:** Kontrollera SRL-blocket enligt beskrivning i avsnitt 5.0. Koppla SRD-enheten till lämplig förankring eller förankringskoppling enligt tidigare beskrivning. Anslut den självläsande automatkroken på livlinans ände till den bakre D-ringen på helkroppsselen (se figur 10). Kontrollera att kopplingarnas mått, form och styrka är kompatibla. Kontrollera att kroken är helt stängd och låst. En användare som är kopplad kan röra sig fritt inom det rekommenderade arbetsområdet med normal hastighet. Om RSQ-vredet är inställt på "Fall Arrest" (fallstopp) stoppar SRD-blocket ett fall. Om RSQ-vredet är inställt på "Descent" (nedstigning) sänker SRD-blocket automatiskt ned användaren till en lägre nivå vid ett fall. Vid arbete med ett SRD-block ska livlinan alltid kunna dras in i enheten på ett kontrollerat sätt. En tamp kan behövas för att dra ut eller dra in livlinan vid koppling eller bortkoppling. En tamp kan användas för att förhindra okontrollerad indragning av livlinan i SRL-blocket. Beroende på vilka krav och förhållanden som råder på arbetsplatsen kan tampens fria ände behöva fästas för att förhindra störning eller intrassling i utrustning eller maskiner.
- 4.6 ANVÄNDNING VID RÄDDNING:** Figur 12 visar användningen av den integrerade räddningshandveven på Rebel Retrieval SRD-R. Försök inte att använda räddningsfunktionen med livlinan helt indragen. Gör så här för att aktivera lyftläget och använda handveven för räddning:
1. Dra ut räddningshandtaget för att frigöra vevarmen.
  2. Vrid räddningshandtaget 180° ut ur SRD-huset.
  3. Dra och håll växlingsknappen i olåst läge.
  4. Tryck in vevarmen och släpp växlingsknappen för att koppla in växeln. Vrid om nödvändigt vevarmen medurs för att hjälpa till med växelns inkoppling.
  5. Fira livlinan uppåt och nedåt enligt Figur 12:
    - A. Fira upp: Veva moturs med vevarmen.
    - B. Fira ned: Veva vevarmen en aning moturs för att frigöra fallstoppsbromsen och veva sedan vevarmen medurs.

*Den inbyggda räddningshandveven på SRD-R-modeller med trevägsräddningssystem är endast avsedd för räddningsändamål och ska inte användas för arbetspositionering eller för att lyfta och sänka material.*

*Rebel SRD-R-enheter har inte någon överbelastningskoppling för att begränsa den kraft som utövas på drivkomponenterna och den anslutna personen. Undvik slack i linan när räddningsläget används. Den drabbade personen måste också övervakas under räddningen så att för stor kraft inte anbringas på personen genom lyftet efter frigöring från ett hinder.*

För att sänka eller mata ut livlinan krävs en minsta belastning på 33,9 kg (75 lb). Det krävs en kraft på 0,13 kN (30 lb) för att driva räddningssystemet när det är belastat till sin kapacitet.

Sluta veva när linan är helt utdragen eller indragen. Fortsatt vevande kan skada komponenterna.

#### 4.7 KOPPLA UR RÄDDNINGSLÄGET: Gör så här för att koppla ur räddningsläget:

När räddningsläget kopplas ur, dras livlinan automatiskt in i SRD-blocket. Undvik risk för personskador genom att dra in eller hålla fast livlinan före urkopplingen.

1. Avlägsna all belastning från livlinan.
2. Dra och håll växlingsknappen i olåst läge.
3. Dra ut vevarmen till urkopplat läge och släpp växlingsknappen.
4. Dra ut och vrid räddningsshandtaget 180° mot SRD-huset till det infällda läget.

## 5.0 BESIKTNING

När utrustningen har tagits ur bruk får den inte användas igen förrän en kvalificerad person skriftligen intygat att den får användas.

- 5.1 BESIKTNINGSINTERVALL:** Produkten ska besiktas av användaren före varje användning och dessutom av en kvalificerad person (annan än användaren) minst en gång per år. Hög användningsfrekvens och hårda förhållanden kan innebära att det krävs fler besiktningar som ska utföras av kvalificerade personer. Frekvensen för dessa besiktningar bestäms av den kvalificerade personen enligt arbetsplatsens specifika villkor.
- 5.2 BESIKTNINGSPROCEDURER:** Besiktiga den här produkten enligt procedurerna som anges i *besiktning- och underhållsloggen*. Ägaren till denna utrustning ska arkivera dokumentation om varje besiktning. En besiktning- och underhållslogg bör placeras nära produkten eller på annat sätt vara lättillgänglig för användarna. Det rekommenderas att produkten märks med datumet för kommande eller senaste genomförda besiktning.
- 5.3 DEFEKTER:** Om produkten inte kan återgå i bruk på grund av en befintlig defekt eller ett osäkert tillstånd måste produkten antingen förstöras eller skickas till 3M eller ett servicecenter som auktoriserats av 3M för reparation.
- 5.4 PRODUKTENS LIVSLÄNGD:** Produktens livslängd beror på arbetsförhållanden och underhåll. Den får användas så länge den uppfyller besiktningsskaven.

## 6.0 UNDERHÅLL, SERVICE OCH FÖRVARING

Utrustning som är i behov av underhåll eller har schemalagts för underhåll ska märkas med "FÅR EJ ANVÄNDAS". Dessa utrustningstaggas ska inte tas bort förrän underhåll har utförts.

- 6.1 RENGÖRING:** Följande rengöringsprocedurer gäller för den självindragande enheten:
- Rengör regelbundet SRD-enhetens utsida med vatten och mild tvällösning. Placera SRD-blocket i ett läge så att vatten kan rinna ut. Rengör etiketterna efter behov.
  - Rengör livlinan med vatten och mild tvällösning. Skölj och låt den lufttorka helt. Snabbtorka inte genom uppvärmning. För stora ansamlingar av smuts, färg m.m. kan hindra att livlinan dras in helt och orsaka risk för fritt fall. Byt ut livlinan vid för stora ansamlingar av smuts.
- 6.2 SERVICE:** Ytterligare underhålls- och serviceprocedurer skall utföras av ett auktoriserat servicecenter. Gör inga försök att ta isär SRL-blocket eller smörja några delar.
- 6.3 FÖRVARING OCH TRANSPORT:** Förvara och transportera den självindragande enheten i en sval, torr och ren miljö där den är skyddad mot direkt solljus. Undvik platser där det kan finnas kemiska ångor. Kontrollera SRD-blocket grundligt efter längre förvaringstid.

## 7.0 ETIKETTER

I figur 19 visas de självindragande enheternas etiketter och var de sitter. Alla etiketter måste sitta på plats på SRD-enheten. Etiketter som inte är helt läsliga ska bytas ut. Följande information finns på varje etikett:

A	1) Inspektera automatkroken och anslagsindikatorn. 2) Inspektera SRD:ns låsningsfunktion. 3) Anslut SRD-livlinan till selens bakre anslutning. 4) Endast vertikala tillämpningar. Förankra aldrig SRD-enheten nedanför selens bakre anslutning. 4A) För förankring i nivå med eller nedanför selens bakre anslutning krävs SRD-LE med framkantskapacitet. 4B) Endast vertikala tillämpningar. Förankra aldrig SRD-enheten nedanför selens bakre anslutning. 5) Temperaturintervall -40 °C till 60 °C 6) Maximal kapacitet – 140 kg 7) Kontrollera att livlinan kan dras in i SRD-enheten. Låt aldrig livlinan rullas in fritt. 8) Minimera risken för svängfall genom att arbeta direkt nedanför SRD-förankringen. 9) Får ej repareras. Service på denna produkt måste utföras av ett auktoriserat servicecenter. 10) Förvara SRD:er i sval, torr och ren miljö utan direkt solljus. 11) Belasta inte SRD-höljet över en kant. 12) Ta inte bort etiketterna. 13) Läs alla anvisningar. 14) ID för anmält organ. 15) Nästa inspektionsmånad 16) Nästa inspektionsår 17) Tillverkningsår och -månad 18) Partinummer 19) Modellnummer 20) Livlinans längd 21) Serienummer
B	Vrid vevaxeln medurs för att fira ned livlinan. Vrid vevaxeln motsols för att fira upp livlinan.
C	1) Dra räddningsshandtaget utåt. 2) Fäll ut räddningsshandtaget från SRD-R-huset. 3) Dra och håll växlingsknappen. 4) Tryck in och vrid vevaxeln en aning medurs. 5) Släpp växlingsknappen.

**Table 3 – Besiktning- och underhållslogg**

Serienummer:		Inköpsdatum:	
Modellnummer:		Datum för första användning:	
Besiktning utförd av:		Besiktningsdatum:	
Komponent:	Besiktning::	Användare	Kvalificerad person
SRL (Figur 13)	Kontrollera att inga bultar är lösa och att inga delar är deformerade eller skadade.	<input type="checkbox"/>	<input type="checkbox"/>
	Kontrollera att höljet (A) inte är skevt, sprucket eller skadat på annat sätt.	<input type="checkbox"/>	<input type="checkbox"/>
	Kontrollera att rotationsöglan (B) inte är skev, sprucken eller skadad på annat sätt. Rotationsöglan ska sitta säkert fäst i SRD-enheten men kunna rotera fritt.	<input type="checkbox"/>	<input type="checkbox"/>
	Livlinan (C) ska kunna dras ut och dras in helt utan motstånd eller slack.	<input type="checkbox"/>	<input type="checkbox"/>
	Kontrollera att enheten läser vid kraftiga ryck i livlinan. Läsningen ska ske vid dragning och utan att slira.	<input type="checkbox"/>	<input type="checkbox"/>
	Etiketterna måste sitta på plats och vara helt läsliga (se figur 19).	<input type="checkbox"/>	<input type="checkbox"/>
	Sök efter tecken på korrosion på hela enheten.	<input type="checkbox"/>	<input type="checkbox"/>
Vridbar automatkrok och stötindikator (Figur 14)	Kontrollera den vridbara automatkroken med avseende på skador, korrosion och funktion. Sviveln ska rotera fritt. Inspektera stötindikatorn. Om det röda bandet är synligt (indikerat läge) har en anslagsbelastning ägt rum, varvid SRD-enheten måste tas ur bruk och inspekteras. Försök inte återställa anslagsindikatorn. Skicka in SRD-enheten till ett auktoriserat servicecenter för återställning. OBS! Lekaren snurrar inte fritt när stötindikator är i indikerat läge.	<input type="checkbox"/>	<input type="checkbox"/>
Vajerlivlina (Figur 15)	Kontrollera vajern med avseende på brott, knutar (A), brustna trådar (B), upptvinning (C), svetsstänk (D), korrosion, kemiska kontaktytor eller svårt slitna områden. För vajerstötdämparen (E) uppåt och kontrollera att ringarna (F) inte har sprickor eller skador samt att vajern inte har korrosion eller brustna trådar. Byt ut vajern om det finns minst sex slumpmässigt spridda brustna trådar i en tir eller minst tre brustna trådar i en kardel i en tir. En tir i vajern är den vajerlängd längs vilken en kardel (den större gruppen av trådar) vrids ett helt varv kring vajern. Byt ut vajern om det finns trasiga trådar 25 mm (1 tum) från ringarna.	<input type="checkbox"/>	<input type="checkbox"/>
Reservlivlina (Figur 16)	Kontrollera reservlivlinans utmatning. Om ett fall har stoppats när största delen av livlinan var utdragen, så är det möjligt att reservlivlinan har använts. Dra ut livlinan ur SRL-blocket tills den stoppar. Om ett rött band (G) syns har reservlivlinan matats ut, varvid enheten måste underhållas av ett auktoriserat servicecenter innan den används på nytt.	<input type="checkbox"/>	<input type="checkbox"/>
Energiabsorberare i SRD-LE (Figur 17)	På självindragande enheter med framkantskapacitet (SRD-LE:er) kontrollerar du att den inbyggda energiabsorberaren inte har aktiverats. Inget nätmaterial får vara utdraget ur höljet (A). Höljet måste sitta säkert och vara fritt från rivskador (B) eller annan skada.	<input type="checkbox"/>	<input type="checkbox"/>
Handvev till integrerat räddningssystem (Figur 18)	Kontrollera att vevarmen (A) inte är skev eller skadad på annat sätt. Säkerställ att lyftbandet (B) kan vikas ut och säkras i vevningsläget.	<input type="checkbox"/>	<input type="checkbox"/>
	Säkerställ att lyftväxlingsknoppen (C) kan dras ut till det olåsta läget och sedan släppas så att den läser vevarmen i både inkopplat och frigjort läge.	<input type="checkbox"/>	<input type="checkbox"/>
	Testa att räddningsfunktionen fungerar korrekt genom att höja och sänka en testvikt på minst 34 kg (75 lb). Testvikten ska inte röra sig och räddningshandtaget ska vara kvar i oförändrat läge (utan rörelse) när handtaget släpps. Ett klickande ljud ska höras när belastningen firas upp.	<input type="checkbox"/>	<input type="checkbox"/>
<b>Korrigerande åtgärd/underhåll:</b>	Godkänt av:	Nästa besiktning ska utföras:	
	Datum:		
<b>Korrigerande åtgärd/underhåll:</b>	Godkänt av:	Nästa besiktning ska utföras:	
	Datum:		
<b>Korrigerande åtgärd/underhåll:</b>	Godkänt av:	Nästa besiktning ska utföras:	
	Datum:		
<b>Korrigerande åtgärd/underhåll:</b>	Godkänt av:	Nästa besiktning ska utföras:	
	Datum:		
<b>Korrigerande åtgärd/underhåll:</b>	Godkänt av:	Nästa besiktning ska utföras:	
	Datum:		
<b>Korrigerande åtgärd/underhåll:</b>	Godkänt av:	Nästa besiktning ska utföras:	
	Datum:		
<b>Korrigerande åtgärd/underhåll:</b>	Godkänt av:	Nästa besiktning ska utföras:	
	Datum:		
<b>Korrigerande åtgärd/underhåll:</b>	Godkänt av:	Nästa besiktning ska utföras:	
	Datum:		



Fall Protection

**USA**  
3833 SALA Way  
Red Wing, MN 55066-5005  
Toll Free: 800.328.6146  
Phone: 651.388.8282  
Fax: 651.388.5065  
3Mfallprotection@mmm.com

**Brazil**  
Rodovia Anhanguera, km 110  
Sumaré - SP  
CEP: 13181-900  
Brasil  
Phone: 0800-013-2333  
falecoma3m@mmm.com

**Mexico**  
Av. Santa Fe No. 190  
Col. Santa Fe, Ciudad de Mexico  
CP 01219, Mexico  
Phone: 01 800 120 3636  
3msaludocupacional@mmm.com

**Canada**  
600 Edwards Blvd, Unit #2  
Mississauga, ON L5T 2V7  
Phone: 905.795.9333  
Toll-Free: 800.387.7484  
Fax: 888.387.7484  
3Mfallprotection-ca@mmm.com

**EMEA (Europe, Middle East, Africa)**  
*EMEA Headquarters:*  
Le Broc Center  
Z.I. 1re Avenue - BP15  
06511 Carros Le Broc Cedex  
France  
Phone: + 33 04 97 10 00 10  
Fax: + 33 04 93 08 79 70  
informationfallprotection@mmm.com

**Australia & New Zealand**  
137 McCredie Road  
Guildford  
Sydney, NSW, 2161  
Australia  
Toll-Free : 1800 245 002 (AUS)  
Toll-Free : 0800 212 505 (NZ)  
3msafetyaucs@mmm.com

**Asia**  
*Singapore:*  
1 Yishun Avenue 7  
Singapore 768923  
Phone: +65-6450 8888  
Fax: +65-6552 2113  
TotalFallProtection@mmm.com

*China:*  
38/F, Maxdo Center, 8 Xing Yi Rd  
Shanghai 200336, P R China  
Phone: +86 21 62753535  
Fax: +86 21 52906521  
3MFallProtecton-CN@mmm.com

*Korea:*  
3M Koread Ltd  
20F, 82, Uisadang-daero,  
Yeongdeungpo-gu, Seoul  
Phone: +82-80-033-4114  
Fax: +82-2-3771-4271  
TotalFallProtection@mmm.com

*Japan:*  
3M Japan Ltd  
6-7-29, Kitashinagawa, Shinagawa-ku, Tokyo  
Phone: +81-570-011-321  
Fax: +81-3-6409-5818  
psd.jp@mmm.com

WEBSITE:  
[3M.com/FallProtection](http://3M.com/FallProtection)



EU DECLARATION OF CONFORMITY:  
[3M.com/FallProtection/DOC](http://3M.com/FallProtection/DOC)

