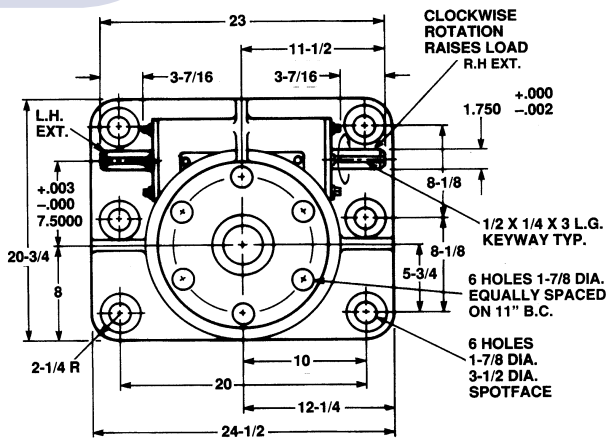
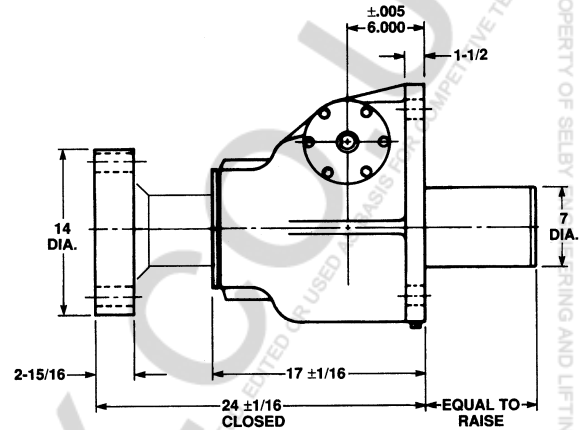


Machine Screw Actuators

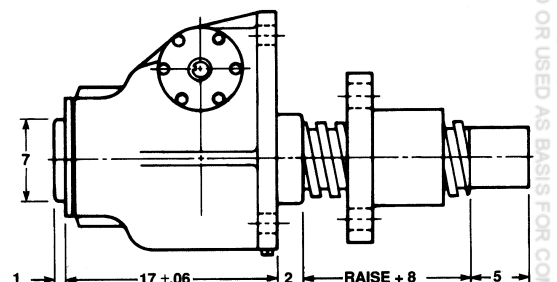
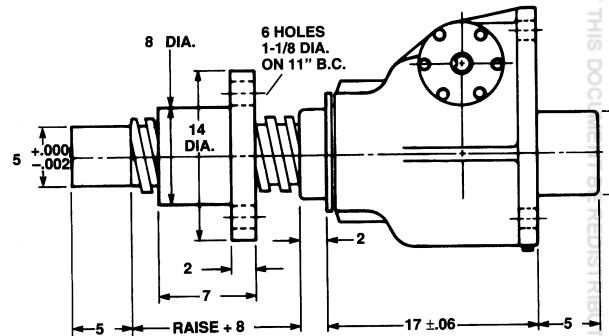
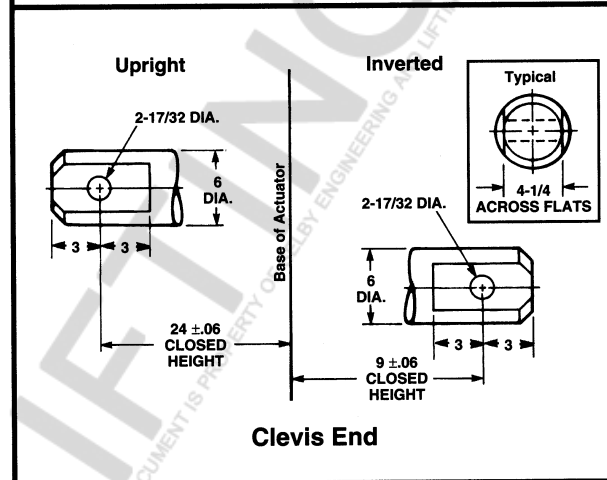
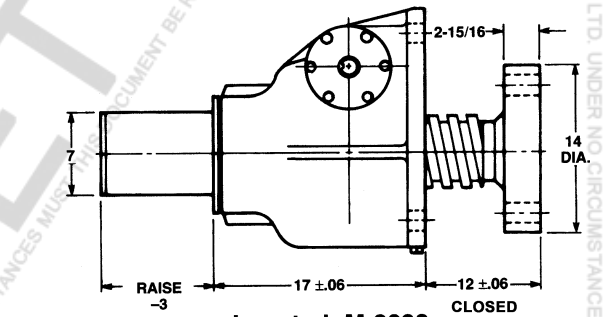
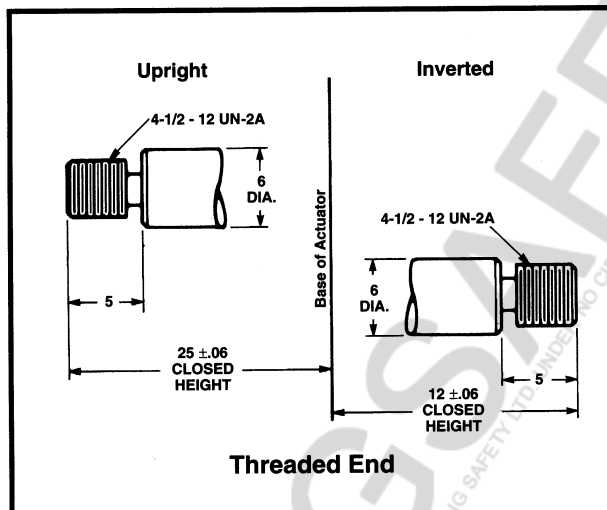
100 Ton Capacity



6" Diameter x .750 Lead Lifting Screws



Upright: M-9099



Note: Lifting screw is not keyed. Top should be secured to a lifting member to prevent rotation. When a Bellows Boot is required, see pages 143-144. Dimensions are subject to change without notice.

SELBY ENGINEERING AND LIFTING SAFETY LTD. TEL: +44 (0) 1977 684 600

THIS DOCUMENT IS PROPERTY OF SELBY ENGINEERING AND LIFTING SAFETY LTD. UNDER NO CIRCUMSTANCES MUST THIS DOCUMENT BE REDISTRIBUTED, EDITED OR USED AS BASIS FOR COMPETITIVE TENDER