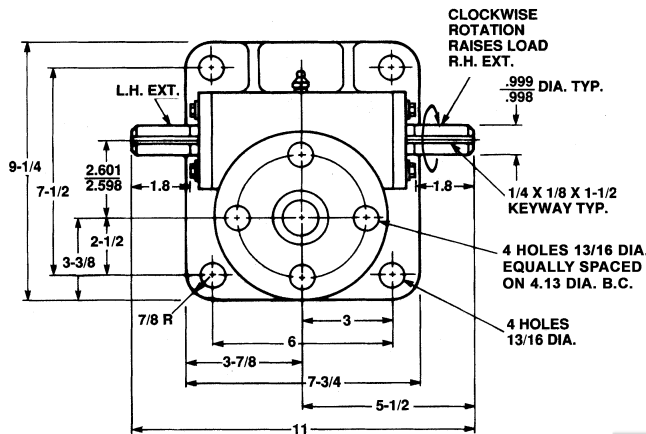
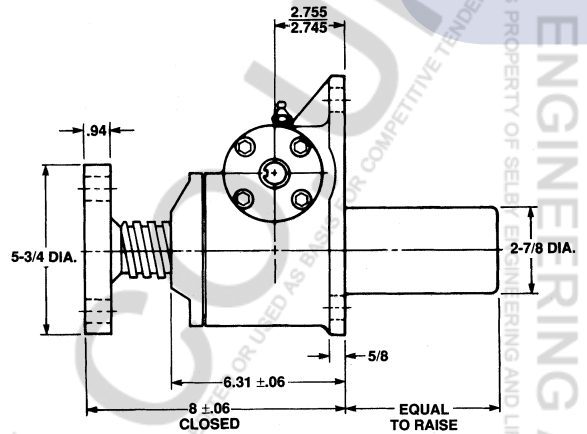


15 Ton Capacity

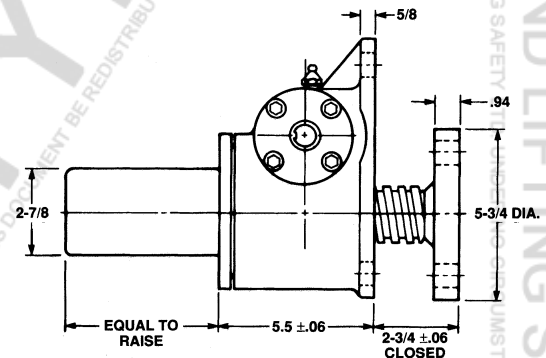
Machine Screw Actuators



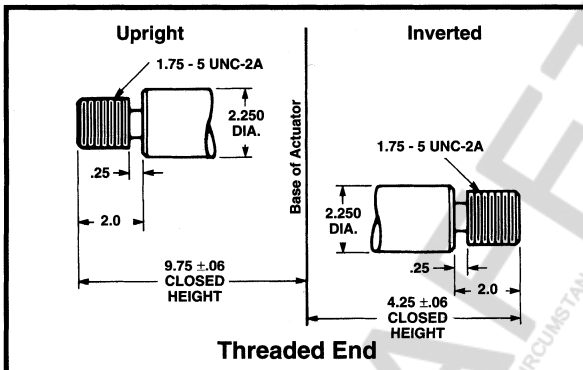
2 1/4" Diameter x .500 Lead Lifting Screws



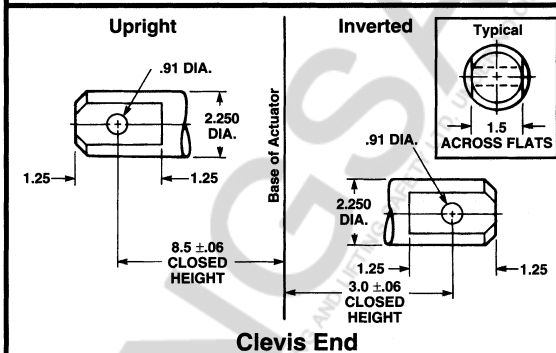
Upright: M-9015



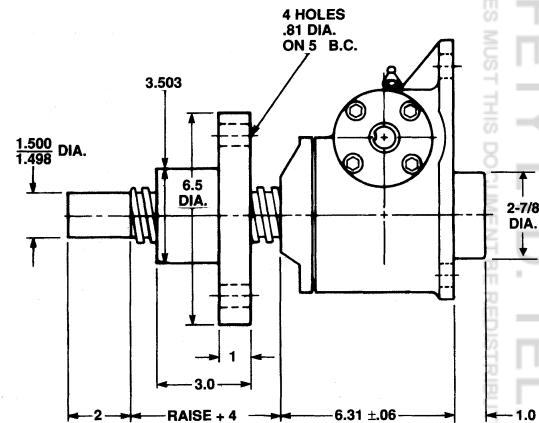
Inverted: M-9014



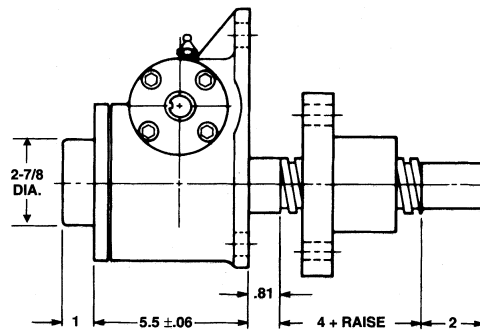
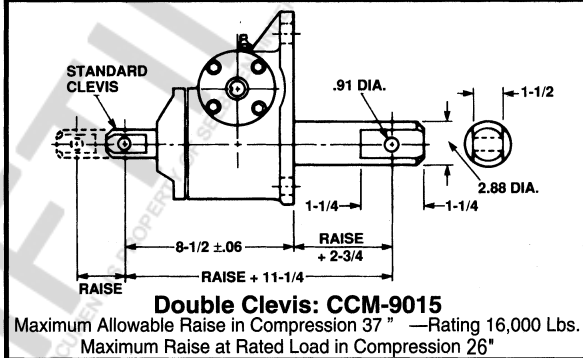
Threaded End



Clevis End



Upright Rotating: UM-9016



Inverted Rotating: DM-9016

Note: Lifting screw is not keyed. Top should be secured to a lifting member to prevent rotation. When a Bellows Boot is required, see pages 143-144. Dimensions are subject to change without notice.