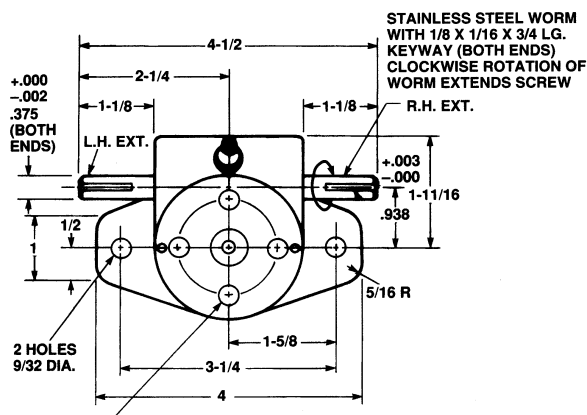


SELBY ENGINEERING AND LIFTING SAFETY LTD. TEL: +44 (0) 1977 684 600
 THIS DOCUMENT IS PROPERTY OF SELBY ENGINEERING AND LIFTING SAFETY LTD. UNDER NO CIRCUMSTANCES MUST THIS DOCUMENT BE REDISTRIBUTED, EDITED OR USED AS BASIS FOR COMPETITIVE TENDER

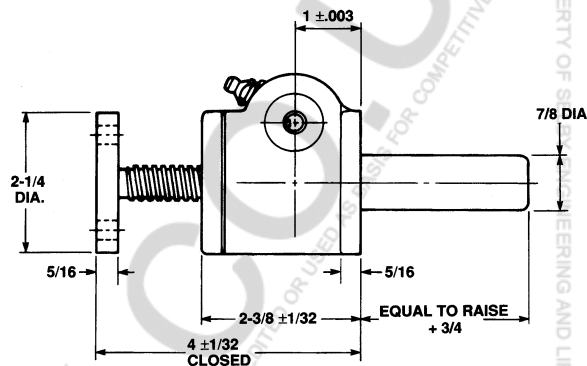
Machine Screw Actuators

1000 Pound Capacity

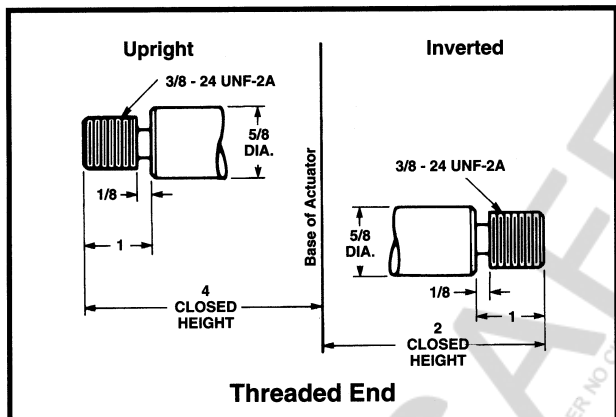


4 HOLES 9/32 DIA. EQUALLY SPACED ON 1-1/2 B.C.

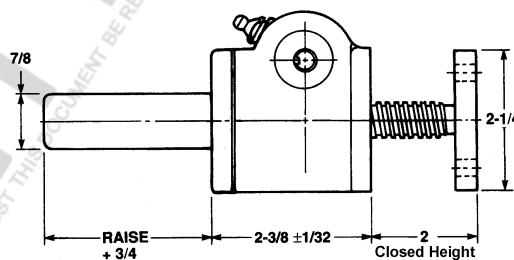
5/8" Diameter x .125 Lead Lifting Screws



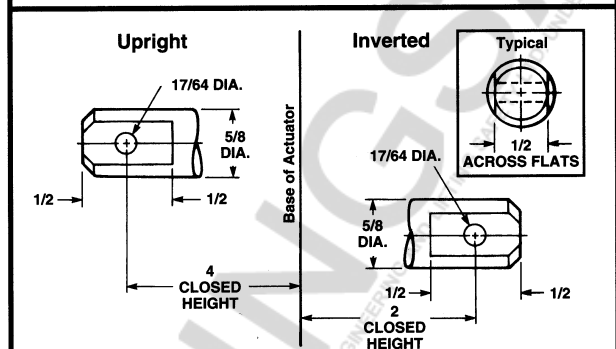
Upright: M-2625



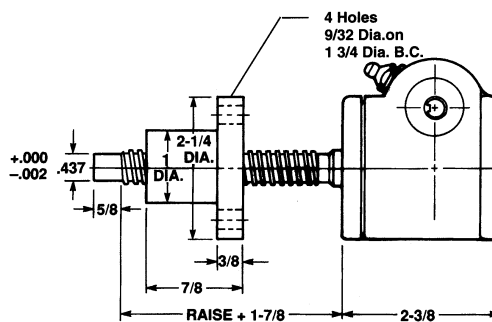
Threaded End



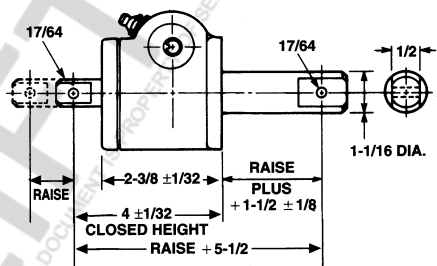
Inverted: M-2624



Clevis End

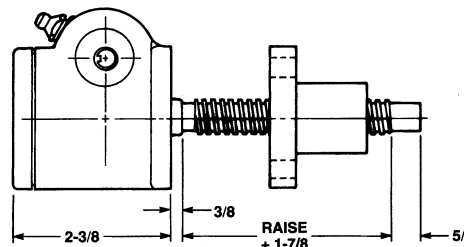


Upright Rotating: UM-2626



Double Clevis: CCM-2625

Maximum Allowable Raise in Compression 9" —Rating 1000 Lbs.



Inverted Rotating: DM-2626

Note: Lifting screw is not keyed. Top should be secured to a lifting member to prevent rotation. When a Bellows Boot is required, see pages 143-144. Dimensions are subject to change without notice. When the lifting screw is keyed, the holes in the top plate will not necessarily be in the position shown.