

Spring Recoil Power Supply Festoon for Electric Chain and Wire Rope Hoists with cables lengths from 5.5m to 26m

Model: MDCR-3495

Spring Recoil Cable reels to suit 230v, 110v and 400v hoists; options for 3 or 4 cores, 1mm, 2mm and 2.5mm cable width

Features

- **Working temperatures:** +5°C to +40°C.
- Max voltage: 500V.
- Cable Type: H05VV-F.

Series 5K & 7K Cable Reels have an external case manufactured from shock resistant plastic and are suitable for applications both with cable manually controlled and fitted on machines with automatic cable retraction. This range of drums features a ratchet stop every 50cm which can be easily disconnected if constant traction of cable is required. All sliprings have brass rings and brushes.

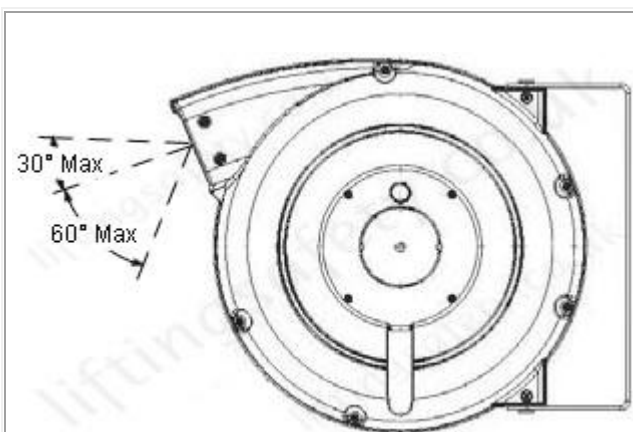


Series 6K Cable Reels are similar to the above but have an external case manufactured from die cast aluminium.

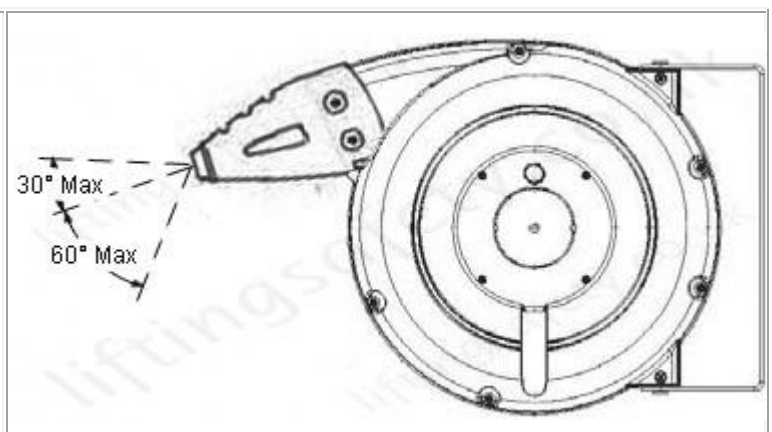
Standard options

- Rubber cable sleeve.
- Please enquire for specials such as rubber cable & IP55 Protection.

IP Protection and Angles of Use



No Cable Sleeve. Without the cable cleaning protective sleeve this type of reeler is rated to **IP42**.



With Cable Sleeve. With the cable cleaning protective sleeve these types of reelers are rated to **IP43**.

Specifications and Body Styles

			
3K Series	4K Series	5K Series - No Cable Cleaning Sleeve	5K Series - With Cable Cleaning Sleeve
			
6K Series - No Cable Cleaning Sleeve	6K Series - With Cable Cleaning Sleeve	7K Series	

Why do i need a rubber cable cleaning sleeve?

The reason for fitting rubber cable sleeves to our cable reeling units is that this increases the units IP Rating from IP42 to IP 43.

IP42 - Protected against solid foreign objects with a diameter of 1mm and greater. And Vertically falling drops shall have no harmful effects when the enclosure is tilted at any angle up to 15° on either side of the vertical.

IP43 - Protected against solid foreign objects with a diameter of 1mm and greater. And Water sprayed at an angle of up to 60° on either side of the vertical shall have no harmful effects.

Specifications - No Rubber Cable Sleeve - 110 / 230 Volt

Part N°	Body Style	Cable Size	Cable Payout	Cable Dia.	Max power (20 deg C - Coiled)	Max power (20 deg C - Uncoiled)	Sling Ring Size	Case Colour	Material
3495-T7187	5K	3c x 1.0mm ²	14 + 1.5m	7mm	900 Watt	1400 Watt	10 Amp	Yellow	Plastic
3495-T7188	6K	3c x 1.0mm ²	24 + 2m	7mm	1000 Watt	1700 Watt	10 Amp	Silver	Aluminium
3495-T7189	5K	3c x 1.5mm ²	11 + 1.5m	8.5mm	1200 Watt	1800 Watt	10 Amp	Yellow	Plastic
3495-T7190	3K	3c x 1.5mm ²	15 + 0.6m	10mm	1100 Watt	1600 Watt	16 Amp	Blue	Plastic
3495-T7191	6K	3c x 1.5mm ²	24 + 2m	8.5mm	1100 Watt	1800 Watt	10 Amp	Silver	Aluminium
3495-T7192	3K	3c x 2.5mm ²	10 + 0.6m	11mm	1600 Watt	3200 Watt	16 Amp	Blue	Plastic
3495-T7193	3K	3c x 2.5mm ²	20 + 0.6m	11mm	1600 Watt	3200 Watt	16 Amp	Blue	Plastic
3495-T7194	5K	3c x 2.5mm ²	8.5 + 1.5m	10mm	1850 Watt	2500 Watt	10 Amp	Yellow	Plastic
3495-T7195	5K	3c x 2.5mm ²	8.5 + 1.5m	10mm	1850 Watt	2500 Watt	20 Amp	Yellow	Plastic
3495-T7196	6K	3c x 2.5mm ²	15 + 2m	10mm	2000 Watt	3000 Watt	20 Amp	Silver	Aluminium

Specifications - No Rubber Cable Sleeve - 400 Volt

Part N°	Body Style	Cable Size	Cable Payout	Cable Dia.	Max power (20 deg C - Coiled)	Max power (20 deg C - Uncoiled)	Sling Ring Size	Case Colour	Material
3495-T7219	5K	4c x 1.0mm ²	10.5 + 1.5m	8mm	1100 Watt	1600 Watt	10 Amp	Yellow	Plastic
3495-T7220	6K	4c x 1.0mm ²	24 + 2m	8mm	800 Watt	1400 Watt	10 Amp	Silver	Aluminium
3495-T7221	4K	4c x 1.5mm ²	10 + 1.0m	8mm	1400 Watt	1900 Watt	10 Amp	Grey	Plastic
3495-T7222	6K	4c x 1.5mm ²	21 + 2m	9.5mm	1100 Watt	1800 Watt	10 Amp	Silver	Aluminium
3495-T7223	7K	4c x 1.5mm ²	25 + 2m	9.5mm	1100 Watt	1800 Watt	10 Amp	Grey	Plastic
3495-T7224	5K	4c x 1.5mm ²	8 + 1.5m	9.5mm	1350 Watt	1900 Watt	10 Amp	Yellow	Plastic
3495-T7225	5K	4c x 2.5mm ²	5.5 + 1.5m	11mm	2000 Watt	2700 Watt	10 Amp	Yellow	Plastic
3495-T7226	5K	4c x 2.5mm ²	5.5 + 1.5m	11mm	2000 Watt	2700 Watt	20 Amp	Yellow	Plastic
3495-T7227	4K	4c x 2.5mm ²	8 + 1.0m	11mm	2000 Watt	2700 Watt	10 Amp	Grey	Plastic
3495-T7228	6K	4c x 2.5mm ²	15 + 2m	11mm	2000 Watt	3000 Watt	20 Amp	Silver	Aluminium
3495-T7229	7K	4c x 2.5mm ²	18 + 2m	11mm	2000 Watt	3000 Watt	10 Amp	Grey	Plastic
3495-T7230	6K	4c x 4.0mm ²	8 + 2m	14mm	3000 Watt	4000 Watt	20 Amp	Silver	Aluminium

Specifications - With Rubber Cable Sleeve - 110 / 230 Volt

Part N°	Body Style	Cable Size	Cable Payout	Cable Dia.	Max power (20 deg C - Coiled)	Max power (20 deg C - Uncoiled)	Sling Ring Size	Case Colour	Material
3495-T7231	5K	3c x 1.0mm ²	14 + 1.5m	7mm	900 Watt	1400 Watt	10 Amp	Yellow	Plastic
3495-T7232	6K	3c x 1.0mm ²	24 + 2m	7mm	1000 Watt	1700 Watt	10 Amp	Silver	Aluminium
3495-T7233	5K	3c x 1.5mm ²	11 + 1.5m	8.5mm	1200 Watt	1800 Watt	10 Amp	Yellow	Plastic
3495-T7235	6K	3c x 1.5mm ²	24 + 2m	8.5mm	1100 Watt	1800 Watt	10 Amp	Silver	Aluminium
3495-T7238	5K	3c x 2.5mm ²	8.5 + 1.5m	10mm	1850 Watt	2500 Watt	10 Amp	Yellow	Plastic
3495-T7239	5K	3c x 2.5mm ²	8.5 + 1.5m	10mm	1850 Watt	2500 Watt	20 Amp	Yellow	Plastic
3495-T7240	6K	3c x 2.5mm ²	15 + 2m	10mm	2000 Watt	3000 Watt	20 Amp	Silver	Aluminium

Specifications - With Rubber Cable Sleeve - 400 Volt

Part N°	Body Style	Cable Size	Cable Payout	Cable Dia.	Max power (20 deg C - Coiled)	Max power (20 deg C - Uncoiled)	Sling Ring Size	Case Colour	Material
3495-T7263	5K	4c x 1.0mm ²	10.5 + 1.5m	8mm	1100 Watt	1600 Watt	10 Amp	Yellow	Plastic
3495-T7264	6K	4c x 1.0mm ²	24 + 2m	8mm	800 Watt	1400 Watt	10 Amp	Silver	Aluminium
3495-T7266	6K	4c x 1.5mm ²	21 + 2m	9.5mm	1100 Watt	1800 Watt	10 Amp	Silver	Aluminium
3495-T7268	5K	4c x 1.5mm ²	8 + 1.5m	9.5mm	1350 Watt	1900 Watt	10 Amp	Yellow	Plastic
3495-T7269	5K	4c x 2.5mm ²	5.5 + 1.5m	11mm	2000 Watt	2700 Watt	10 Amp	Yellow	Plastic
3495-T7270	5K	4c x 2.5mm ²	5.5 + 1.5m	11mm	2000 Watt	2700 Watt	20 Amp	Yellow	Plastic
3495-T7272	6K	4c x 2.5mm ²	15 + 2m	11mm	2000 Watt	3000 Watt	20 Amp	Silver	Aluminium
3495-T7274	6K	4c x 4.0mm ²	8 + 2m	14mm	3000 Watt	4000 Watt	20 Amp	Silver	Aluminium

Dimensional Specifications

