

SELBY ENGINEERING AND LIFTING SAFETY LTD. TEL: +44 (0) 1977 684 600

technical sheet



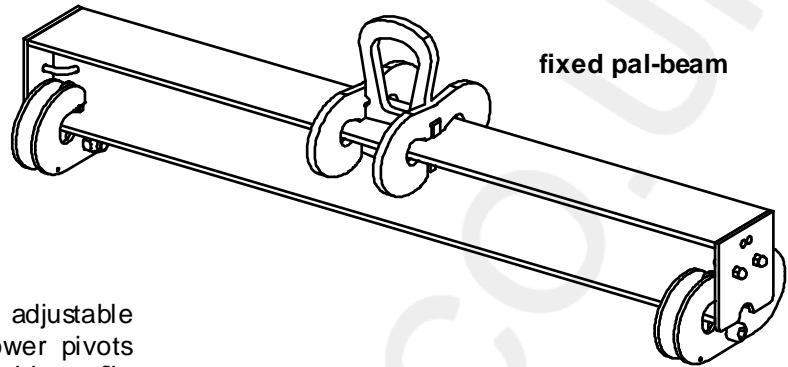
pal-beam®

standard single lifting beams

ref. : T 6039 GB
rev. : 5
date : Feb. 06
page : 1 / 3

Applications

Lifting of various loads.



fixed pal-beam

Description

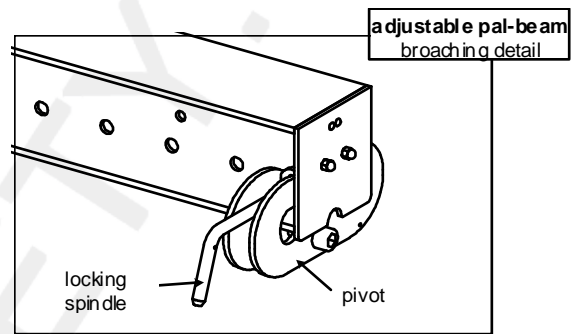
Range of lifting beams with fixed or adjustable load-centre fitted with 2 exclusive lower pivots allowing additional lifting applications with profile and/ or lower pivots' inclined:

A- Lifting with symmetrical or asymmetrical lower pivots, pulling sideways outside or inside (max angle 15°).

B- Lifting with profile inclined at 6° out of the horizontal line:

- vertical traction with symmetrical lower pivots
- sideways traction with asymmetrical lower pivots.

These lower pivots enable the hooking of accessories such as hooks, slings...



adjustable pal-beam broaching detail

locking spindle

pivot

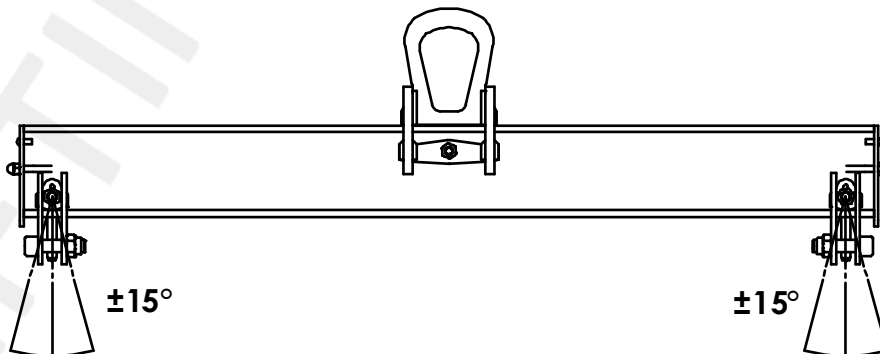
Adjustable model: lower pivots adjustment on the profile through safety spindle to a 100 mm increment.

Functioning

Hang pal-beam® onto the lifting means. (adjustable model only: adjust both lower pivots -taking the load geometry into account- sliding them onto the profile and lock the pivots' position thanks to the safety spindles). Hang the load on the lifting beam and perform lifting ensuring the whole is well balanced.

Important instructions

- Sideways traction: adhere to the max recommended inclination angles.
- Working temperature: -20° to +100°C.



±15°

±15°



General characteristics

- Manufactured without load bearing welds.
- Hot epoxy coating.
- Safety factor: 3 in accordance with the EN 13155.2003 norm.
- Product conforms to the French regulation, in particular the decree of 01/03/2004 relating to the check on lifting devices and the European Directive n°2006/42/CE.
- Product with EC marking and delivered with a declaration of conformity and instructions for use.

Dimensional characteristics

F = fixed/ M = adjustable load-centre

| WLL kg | Ref. | L max effective length | Group code Fixed load-centre | Group code Adjustable load-centre | Hp dead height with hooks | A x B ring opening | J x I ring section | PI safety catch passage | Lifting beam weight kg | Dimensions | | Hooks passage | | | |
|-----------|-----------|------------------------|------------------------------|-----------------------------------|---------------------------|--------------------|--------------------|-------------------------|------------------------|-----------------|----|---------------|----|----|--|
| | | | | | | | | | | L x w x H | C | D | E | F | |
| 1000 | PBF/MA1-A | L = 1000 | 51338 | 51838 | 410 | 105x74 | 24x15 | 24 | 33 | 1110x274x331 | 16 | 24 | 15 | 37 | |
| | PBF/MA1-B | 1001 ≤ L ≤ 1500 | 51348 | 51848 | | | | | (L*x20)+12 | (L+110)x274x331 | | | | | |
| | PBF/MA1-C | 1501 ≤ L ≤ 1999 | 51358 | 51858 | | | | | | | | | | | |
| | PBF/MA1-D | L = 2000 | 51368 | 51868 | | | | | 52 | 2110x274x331 | | | | | |
| | PBF/MA1-E | 2001 ≤ L ≤ 2500 | 51378 | 51878 | | | | | (L*x20)+12 | (L+110)x274x331 | | | | | |
| | PBF/MA1-F | 2501 ≤ L ≤ 2999 | 51388 | 51888 | | | | | | | | | | | |
| | PBF/MA1-G | L = 3000 | 51398 | 51898 | 72 | 3110x274x331 | | | | | | | | | |
| | PBF/MB1-H | 3001 ≤ L ≤ 3500 | 51408 | 51908 | 442 | | | | (L*x30,5)+17 | (L+125)x380x379 | 20 | 32 | 18 | 31 | |
| | PBF/MB1-I | 3501 ≤ L ≤ 3999 | 51418 | 51918 | | | | | | | | | | | |
| PBF/MB1-J | L = 4000 | 51428 | 51928 | 141 | | | | | 4125x380x379 | | | | | | |
| 2000 | PBF/MA2-A | L = 1000 | 51438 | 51938 | 442 | 105x74 | 24x15 | 24 | 33 | 1110x274x331 | 16 | 24 | 15 | 37 | |
| | PBF/MB2-B | 1001 ≤ L ≤ 1500 | 51448 | 51948 | | | | | (L*x30,5)+17 | (L+125)x380x379 | | | | | |
| | PBF/MB2-C | 1501 ≤ L ≤ 1999 | 51458 | 51958 | | | | | | | | | | | |
| | PBF/MB2-D | L = 2000 | 51468 | 51968 | | | | | 80 | 2125x380x379 | | | | | |
| | PBF/MB2-E | 2001 ≤ L ≤ 2500 | 51478 | 51978 | | | | | (L*x30,5)+17 | (L+125)x380x379 | | | | | |
| | PBF/MB2-F | 2501 ≤ L ≤ 2999 | 51488 | 51988 | | | | | | | | | | | |
| | PBF/MB2-G | L = 3000 | 51498 | 51998 | 110 | 3125x380x379 | | | | | | | | | |
| | PBF/MC2-H | 3001 ≤ L ≤ 3500 | 51508 | 52008 | 480 | 117x82 | 26x15 | | (L*x35,5)+22 | (L+125)x394x424 | 24 | 32 | 18 | 36 | |
| | PBF/MC2-I | 3501 ≤ L ≤ 3999 | 51518 | 52018 | | | | | | | | | | | |
| PBF/MC2-J | L = 4000 | 51528 | 52028 | 167 | | | | | 4125x394x424 | | | | | | |
| 3000 | PBF/MB3-A | L = 1000 | 51538 | 52038 | 461 | 105x74 | 24x15 | 25 | 50 | 1125x380x379 | 20 | 32 | 18 | 31 | |
| | PBF/MB3-B | 1001 ≤ L ≤ 1500 | 51548 | 52048 | | | | | (L*x30,5)+17 | (L+125)x380x379 | | | | | |
| | PBF/MB3-C | 1501 ≤ L ≤ 1999 | 51558 | 52058 | | | | | | | | | | | |
| | PBF/MB3-D | L = 2000 | 51568 | 52068 | | | | | 80 | 2125x380x379 | | | | | |
| | PBF/MC3-E | 2001 ≤ L ≤ 2500 | 51578 | 52078 | | | | | (L*x35,5)+22 | (L+125)x394x424 | | | | | |
| | PBF/MC3-F | 2501 ≤ L ≤ 2999 | 51588 | 52088 | | | | | | | | | | | |
| | PBF/MC3-G | L = 3000 | 51598 | 52098 | 131 | 3125x394x424 | | | | | | | | | |
| | PBF/MD3-H | 3001 ≤ L ≤ 3500 | 51608 | 52108 | 499 | 117x82 | 26x15 | | (L*x42,5)+29 | (L+125)x421x474 | 24 | 32 | 18 | 36 | |
| | PBF/MD3-I | 3501 ≤ L ≤ 3999 | 51618 | 52118 | | | | | | | | | | | |
| PBF/MD3-J | L = 4000 | 51628 | 52128 | 202 | | | | | 4125x421x474 | | | | | | |
| 4000 | PBF/MC4-A | L = 1000 | 51638 | 52138 | 508 | 117x82 | 26x15 | 28 | 60 | 1125x394x424 | 24 | 32 | 18 | 36 | |
| | PBF/MC4-B | 1001 ≤ L ≤ 1500 | 51648 | 52148 | | | | | (L*x35,5)+22 | (L+125)x394x424 | | | | | |
| | PBF/MC4-C | 1501 ≤ L ≤ 1999 | 51658 | 52158 | | | | | | | | | | | |
| | PBF/MC4-D | L = 2000 | 51668 | 52168 | | | | | 96 | 2125x394x424 | | | | | |
| | PBF/MD4-E | 2001 ≤ L ≤ 2500 | 51678 | 52178 | | | | | (L*x42,5)+29 | (L+125)x421x474 | | | | | |
| | PBF/MD4-F | 2501 ≤ L ≤ 2999 | 51688 | 52188 | | | | | | | | | | | |
| | PBF/MD4-G | L = 3000 | 51698 | 52198 | 160 | 3125x421x474 | | | | | | | | | |
| | PBF/ME4-H | 3001 ≤ L ≤ 3500 | 51708 | 52208 | 550 | 129x90 | 30x20 | | (L*x60,5)+37 | (L+125)x436x530 | 24 | 32 | 18 | 44 | |
| | PBF/ME4-I | 3501 ≤ L ≤ 3999 | 51718 | 52218 | | | | | | | | | | | |
| PBF/ME4-J | L = 4000 | 51728 | 52228 | 283 | | | | | 4125x436x530 | | | | | | |
| 5000 | PBF/MD5-A | L = 1000 | 51738 | 52238 | 550 | 129x90 | 30x20 | 28 | 75 | 1125x421x474 | 24 | 32 | 18 | 45 | |
| | PBF/MD5-B | 1001 ≤ L ≤ 1500 | 51748 | 52248 | | | | | (L*x42,5)+29 | (L+125)x421x474 | | | | | |
| | PBF/MD5-C | 1501 ≤ L ≤ 1999 | 51758 | 52258 | | | | | | | | | | | |
| | PBF/MD5-D | L = 2000 | 51768 | 52268 | | | | | 117 | 2125x421x474 | | | | | |
| | PBF/ME5-E | 2001 ≤ L ≤ 2500 | 51778 | 52278 | | | | | (L*x60,5)+37 | (L+125)x436x530 | | | | | |
| | PBF/ME5-F | 2501 ≤ L ≤ 2999 | 51788 | 52288 | | | | | | | | | | | |
| | PBF/ME5-G | L = 3000 | 51798 | 52298 | 223 | 3125x436x530 | | | | | | | | | |
| | PBF/ME5-H | 3001 ≤ L ≤ 3500 | 51808 | 52308 | 605 | 143x100 | 32x20 | | (L*x60,5)+37 | (L+125)x436x530 | 24 | 32 | 18 | 44 | |
| | PBF/ME5-I | 3501 ≤ L ≤ 3999 | 51818 | 52318 | | | | | | | | | | | |
| PBF/ME5-J | L = 4000 | 51828 | 52328 | 283 | | | | | 4125x436x530 | | | | | | |

* L expressed in metres Dimensions in mm





Dimensional characteristics

Range of adjustment

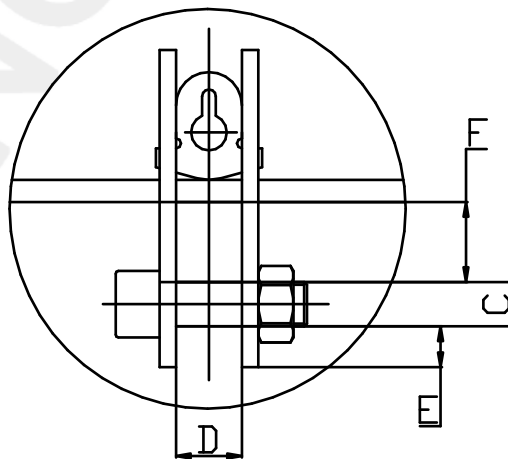
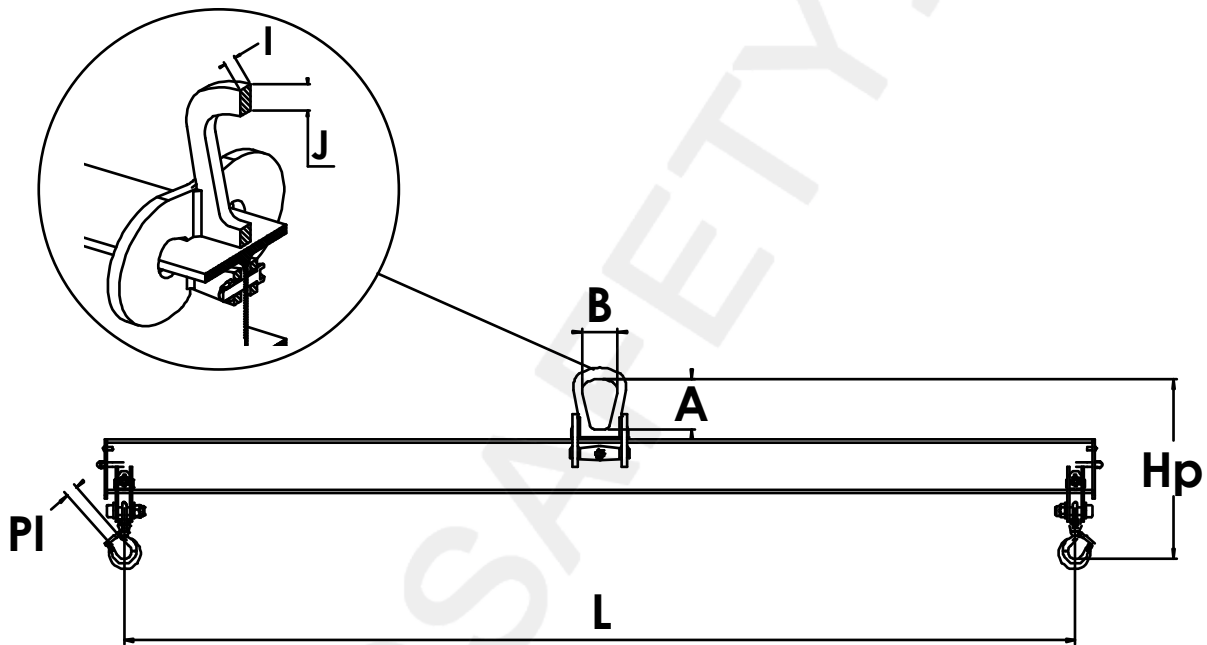
- length inferior or equal to 1500 mm:
adjustment on 300 mm on each side of the
upper lifting point (ie 600 mm as total).

- length superior to 1500 mm:
adjustment on 500 mm on each side of the
upper lifting point (ie 1000 mm as total).

The adjusting increment is 100 mm.

| WLL lifting beam kg | Group code | Hook ref.* |
|---------------------|------------|------------|
| 1 000 | 52338 | CRE1.6 |
| 2 000 | | |
| 3 000 | 52358 | CRE2.5 |
| 4 000 | 52368 | CRE3.2 |
| 5 000 | | |

* swivel hook with safety catch per unit



Sous r serve de modification technique sans pr avis - Document non contr  actuel.

SELBY ENGINEERING AND LIFTING SAFETY LTD. TEL: +44 (0) 1977 684 600