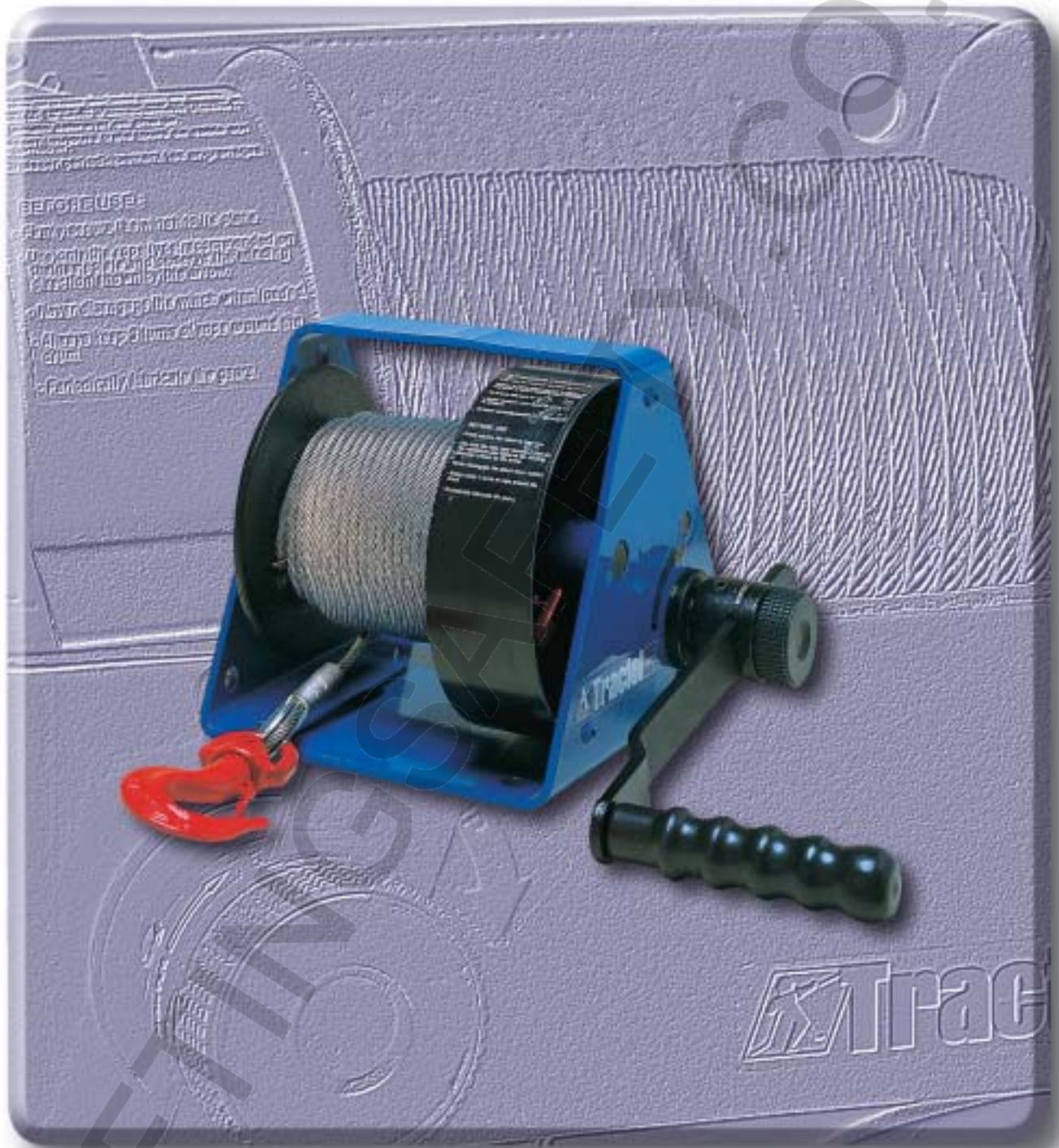


SELBY ENGINEERING AND LIFTING SAFETY LTD. TEL: +44 (0) 1977 684 600

carol[®]

manual drum winches



 **Tractel** Group

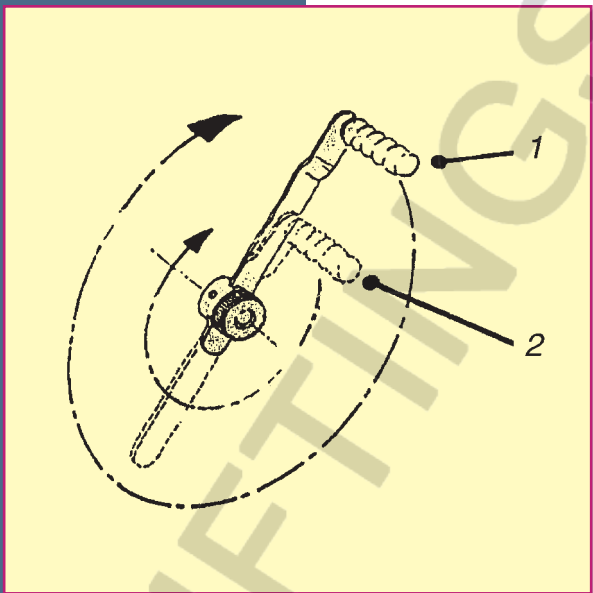
Manual drum winches

TR-TS series



1 - TR series : Manual spur geared winch
 2 - TS series : Manual worm gear winch

- Mechanism :
 The gears have been fully subjected to endurance and destruction test.
 Hubs machined to retain lubrication.
- Automatic ratchet brake with stainless steel spring on both series.
- Weather resistant :
 Highly robust chassis and treated mechanical parts.
- Drum released by an easily accessible lever.
- safety device to prevent release on the machine when loaded.
- Mechanism protected by removable casing.
- Wire rope anchor point :
 Adaptable to various rope diameters without any special tools.
- Adjustable handle length:
 Easy to use (see sketch below).
- Permanently attached handle adjustment knob : To adjust the handle.



Two positions :
 1 - Maximum power
 2 - fast reeling (for low loads rewinding the wire rope).

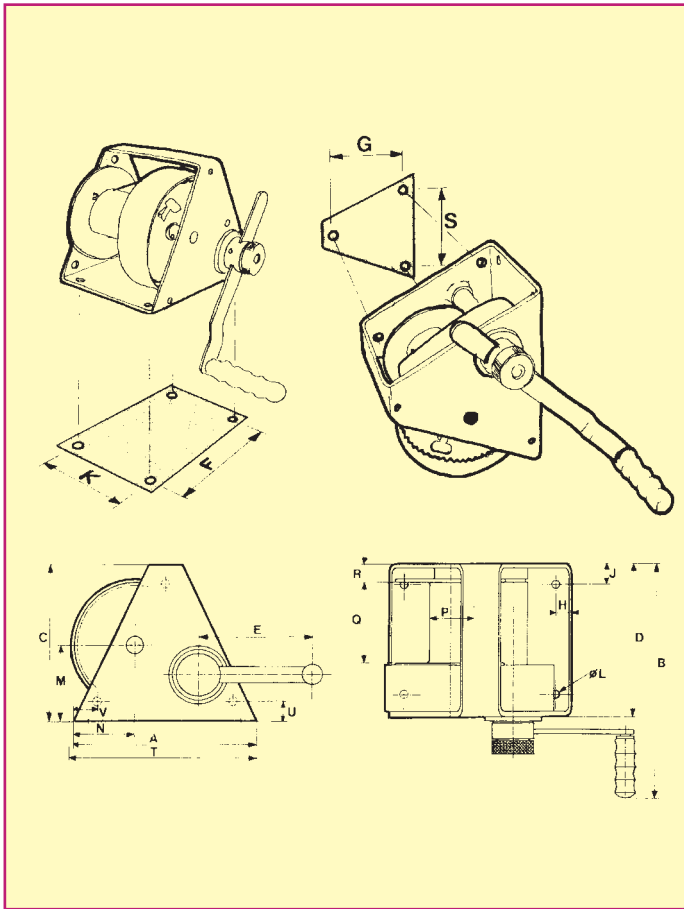


Mécanisme CAROL TR :
 Economic geared model



Mechanism of CAROL TS :
 Worm gear model with excellent finish and maximum safety.

DIMENSIONS AND TECHNICAL SPECIFICATIONS



TR series :

Manual spur geared winch

WLL : 150 kg to 2 000 kg

WLL (kg)	A	B	C	D	E	F	G	H	J	K	ØL	M	N	ØP	Q	R	S	T	U	V
150	170	325	140	140	340	144	104	13	18	104	709	70	85	55	62	40	122	-	18	24
300	240	385	200	200	240	200	155	20	28	144	7013	96	84	72	107	25	184	250	23	28
500	240	385	200	200	240	200	155	20	28	144	7013	96	84	75	107	25	184	250	23	28
1 000	412	485	300	300	340	370	-	21	32	236	4017	145	130	101	178	35	-	422	-	-
2 000	500	585	325	405	340	440	-	30	40	325	4021	155	145	121	250	-	-	510	-	-

WLL (kg)	Number of speed	Ø mm	Maximum capacity of wire rope	Number of layers	Effort on handle kg	Lift per round of handle mm	Weight kg
150	1	4	22	6	15	185	8
300	1	5	40	6	10	35	16
500	1	6,8	20	4	13	35	16
1 000	1	9	35	4	12	16	45
2 000	1	13	30	3	13	9	80

Anchoring :

- **TR series** : In a number of positions either by the base or by the side, depending on the models.
- **TS series** : Using 4 or 6 anchor points at the rear of the unit, depending on the models.

TS series :

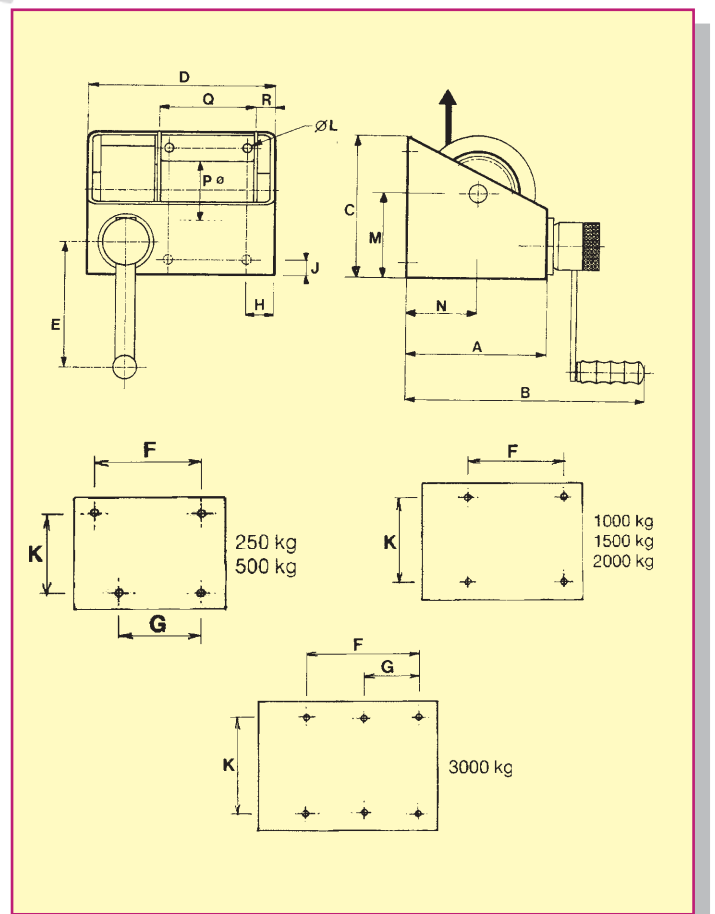
Manual worm gear winch

WLL : 250 kg to 3 000 kg

WLL (kg)	4	B	C	D	E	F	G	H	J	K	ØL	M	N	ØP	Q	R
250	150	330	150	200	240	137	100	25	15	118	4011	89	75	60	100	24
500	180	360	180	260	240	182	130	32	18	142	4013	109	90	70	145	30
1 000	300	490	300	300	340	167	-	32	21	250	4017	180	146	101	176	30
1 500	300	490	300	300	340	167	-	32	21	250	4017	180	145	101	176	30
2 000	345	540	345	405	340	260	-	40	25	295	4021	222	168	121	275	40
3 000	525	700	460	510	340	390	195	70	40	380	6025	325	173	168	300	55

WLL (kg)	Number of speed	Ø mm	Maximum capacity of wire rope	Number of layers	Effort on handle kg	Lift per round of handle mm	Weight kg
250*	1	5	20	4	11	17	10
500	1	6,8	25	4	12	11	15
1 000	1	9	35	4	14	8	38
1 500	2	11,5	20	3	12	5	41
2 000	2	13	30	3	15	5,5	70
3 000	2	15,8	40	3	12	2,5	150

* Note : The 250 kg model does not have a releasable drum.



Also existing : powered drum winches

TE series : Standard

TC series : With frame (for site operation)

**Capacities : 200 kg and 300 kg
500 kg and 800 kg**

**Compact
High performance
Rugged**



MANY LIFTING AND PULLING APPLICATIONS :

- Material hoist for a variety of works
- Moving temporary covers or roofs of swimming pool
- Trolleys moving on inclines
- Scenery in Theaters
- Hangar or furnace doors
- To and fro movement of loads with double reeving
- Etc...

TC series :

With frame for safe and fast handling

The brackets on lower part of the frame allow scaffolding poles to be fitted, consequently a variety of possible methods of anchoring and counterbalancing may be envisaged.

For further informations, refer to the sales brochure on motorized winches.

