

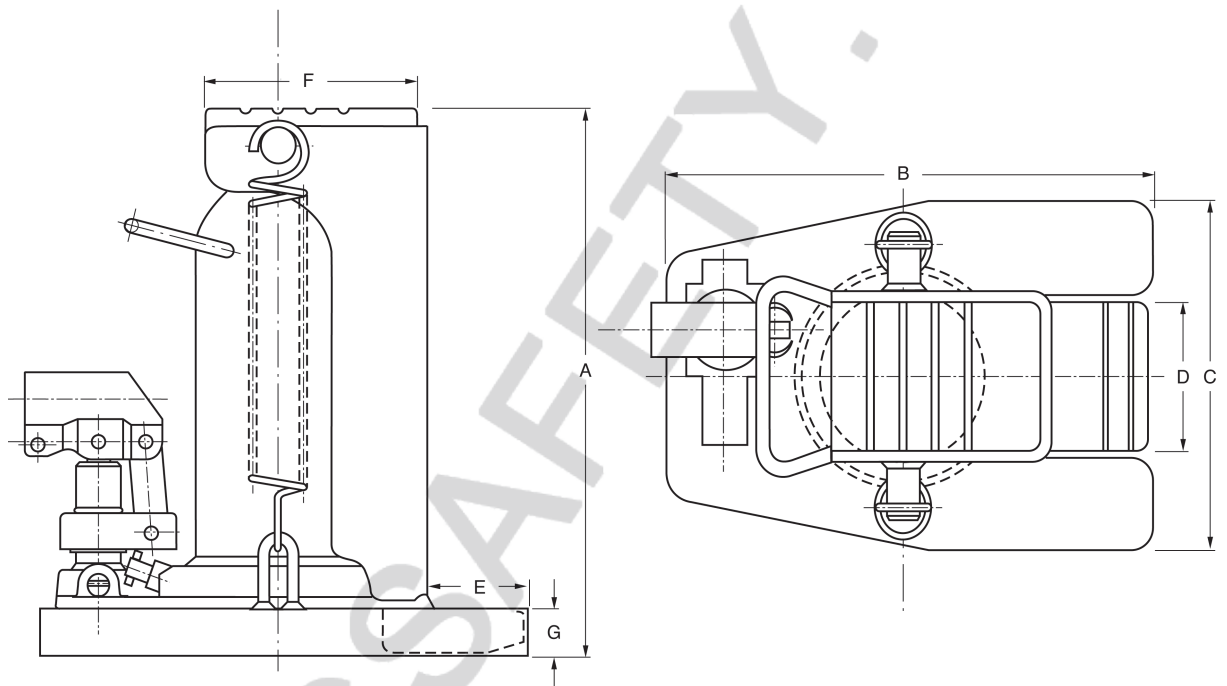
STEERMAN[®]

LOAD MOVING SYSTEMS

TECHNICAL SPECIFICATION

Model: HTJ-3

Description: 3 ton Hydraulic Toe Jack



Model	Capacity tons	Stroke mm	A mm	B mm	C mm	D mm	E mm	F mm	G mm	Weight kgs
HTJ-3	3	130	230	215	190	88	35	93	16	16.4

"Lifting Loads the Professional Way!"