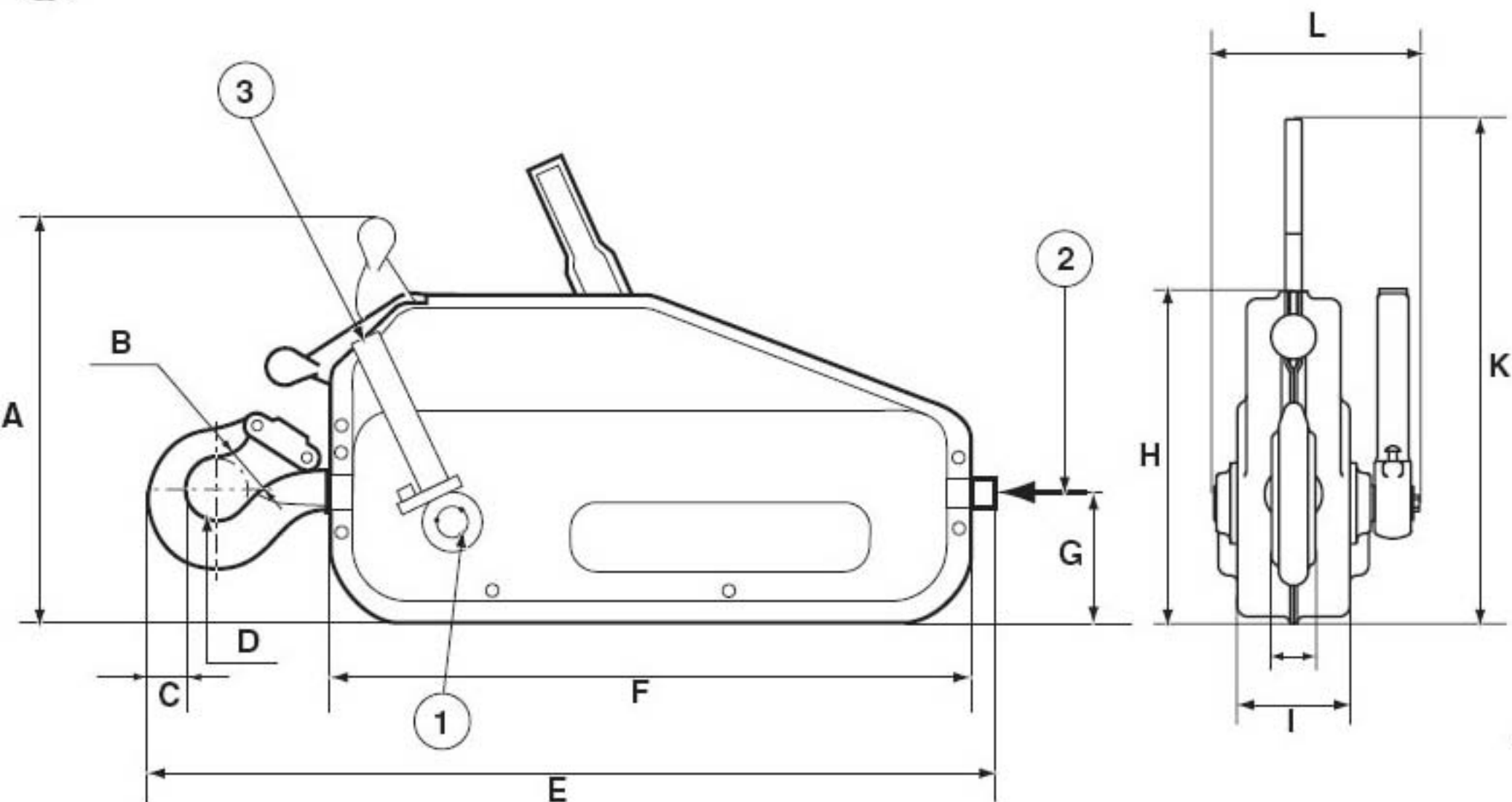
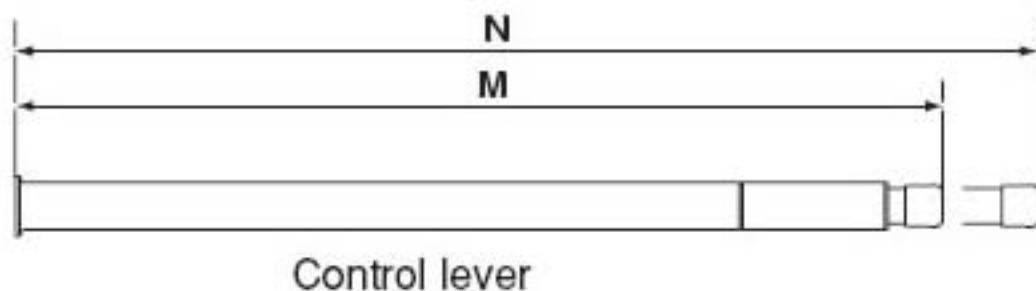


tirfor® TU 8 / Standard machine

- 1 Shear pins forward
- 2 Rope guide
- 3 Spare shear pins



W.L.L.	Ø wire rope	Effort to control lever*		Rope travel*		Dimensions mm														Weight
		forward	reverse	forward	reverse	A	B	C	D	E	F	G	H	I	J	K	L	M	N	
800	8,3	36	18	50	60	270	32	30	40	530	397	70	194,5	58	28	285	110	455	735	8,5

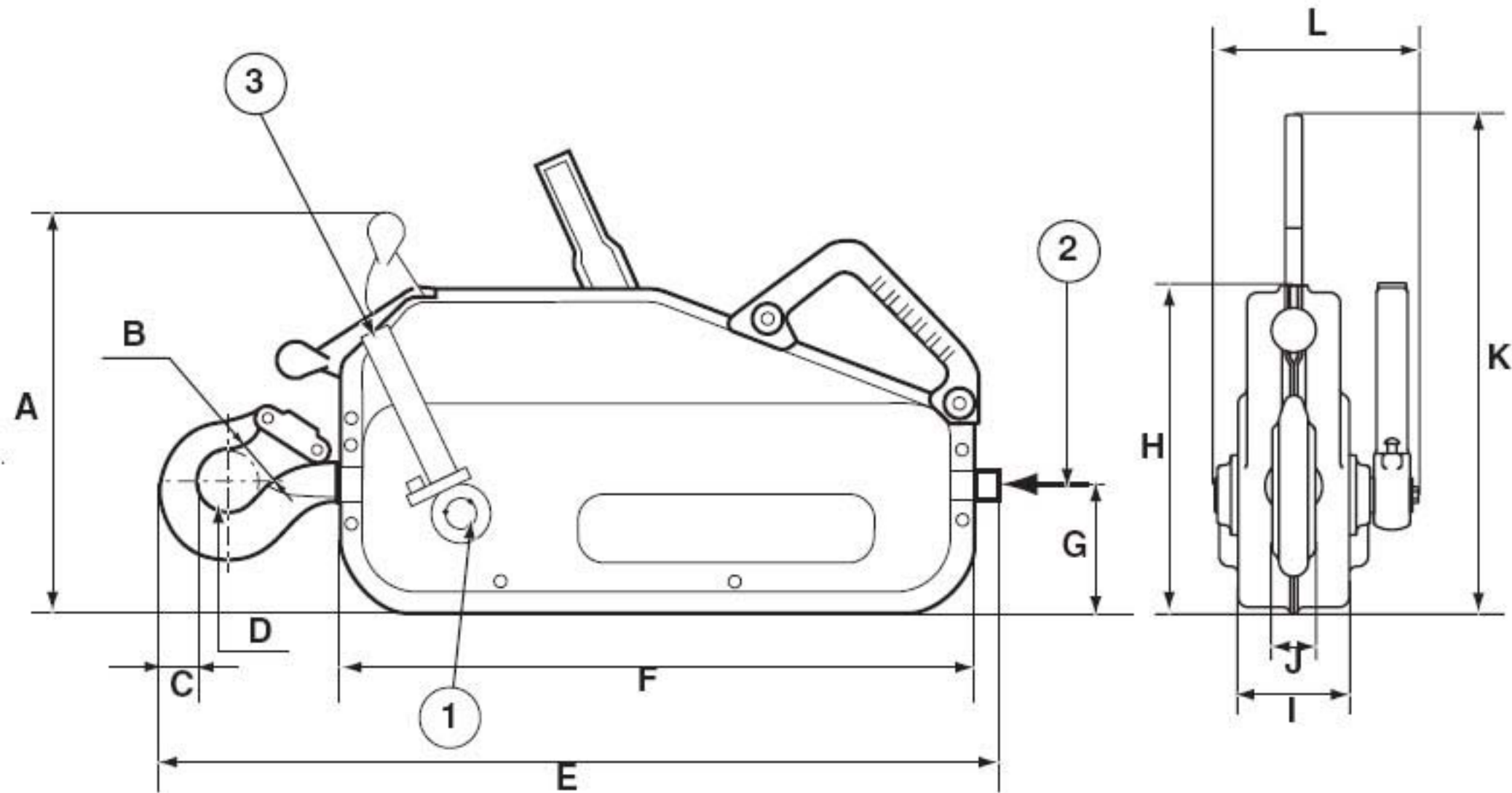
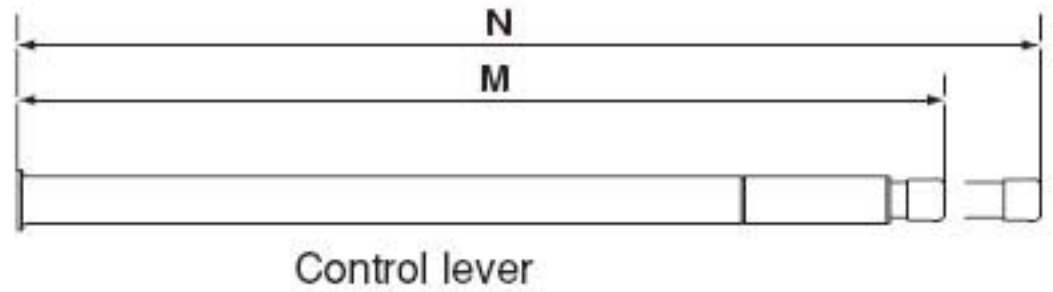
* C.M.U. nominale

* Nominal W.L.L.

1 Shear pins forward

2 Rope guide

3 Spare shear pins



W.L.L.	Ø wire rope	Effort to control lever*		Rope travel*		Dimensions mm														Weight
		forward	reverse	forward	reverse	A	B	C	D	E	F	G	H	I	J	K	L	M	N	
1 600	11,5	54	20	56	70	325	38	30	48	660	483	85,5	236	80	31	360	145	645	1150	18,5

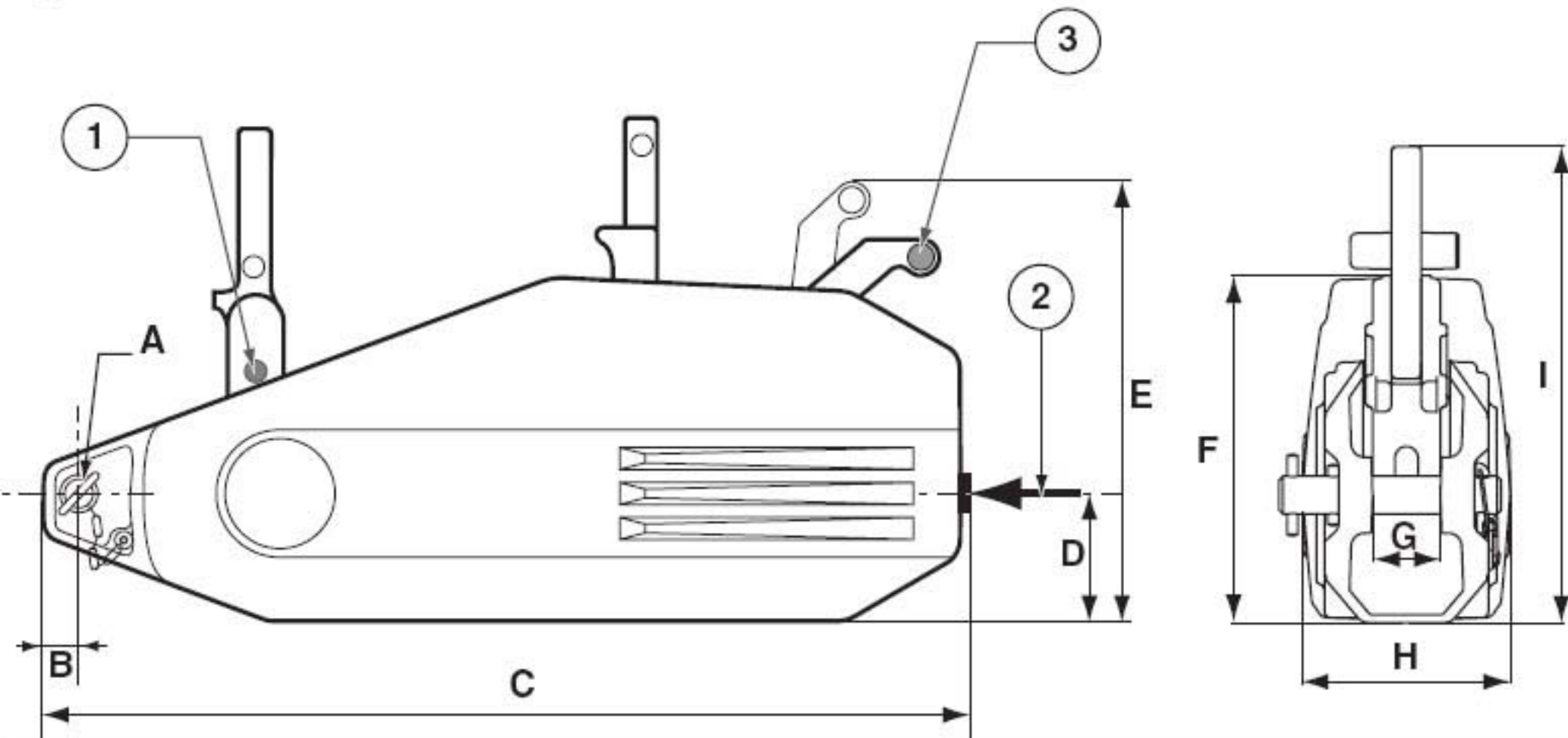
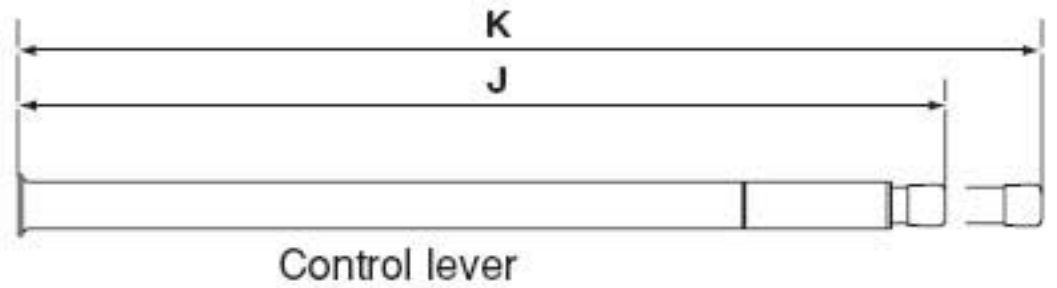
* C.M.U. nominale

* Nominal W.L.L.

1 Shear pins forward

2 Rope guide

3 Spare shear pins



W.L.L.	Ø wire rope	Effort to control lever*		Rope travel*		Dimensions mm											Weight
		forward kg	/ reverse kg	forward mm	reverse mm	A	B	C	D	E	F	G	H	I	J	K	
3 200	16,3	54	25	30	48	28	28	700	93	328	256	50	153	380	680	1150	29

* C.M.U. nominale

* Nominal W.L.L.