

AC Electric Pulling winch or Lifting Hoists with 900kg to 5000kg Capacity for use with a 415V x 3ph Power Supply.



AC Winches - Pulling & Lifting Winch - 415V x 3ph AC

Model: PALW-1177

Features

- Electromagnetic spring-applied fail safe brake.
- Extra Heavy Duty Machine.
- Planetary gears for efficiency.
- Cast steel foot mountings.
- Fabricated steel drum.
- Supplied on steel skid frame ready to mount.
- Motor to IP54 as standard.
- Heavy duty high efficiency ball bearings on all running surfaces.
- Enclosed drum flange.
- Low Voltage Control with Emergency Stop.

Options

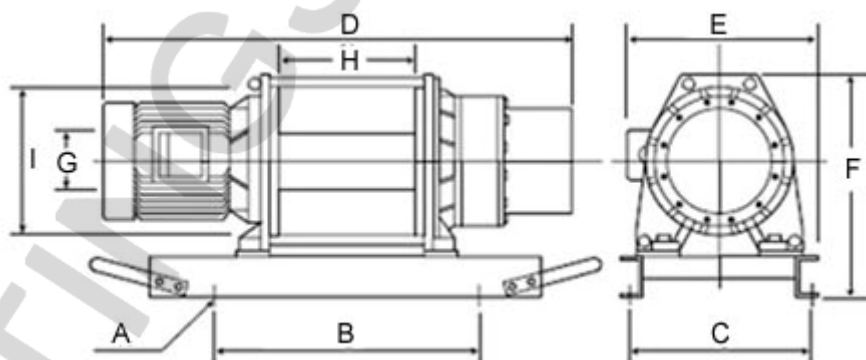
- Low voltage control pendant with emergency stop.
- Radio Remote Control.

Warning

These winches must not be used for the movement of personnel.

Warranty

Each new winch is guaranteed against defects in workmanship and material defects for a period of twelve months from date of purchase.



Technical Specifications

Winch Dimensions (mm)									
Capacity	A	B	C	D	E	F	G	H	I
900kg	4 off Ø 19	500	370	960	400	445	124	230	275
1100kg	4 off Ø 19	620	495	1100	470	520	140	312	320
2200kg	4 off Ø 22	600	499	1160	565	658	178	312	410
3500kg	8 off Ø 30	847	689	1431	740	860	356	405	570
5000kg	8 off Ø 32	920	680	1860	740	905	324	680	570

Pulling load capacity for various inclines in kg					
Capacity	Gradient % incline / angle in degrees				
	10% / 6°	20% / 11°	40% / 22°	60% / 31°	80% / 39°
900kg	3600	2670	1770	1400	1200
1100kg	4400	3250	2150	1700	1500
2200kg	8800	6500	4300	3400	3000
3500kg	14000	10500	7000	5500	5000
5000kg	20000	15000	10000	8000	7000

Part N°	Lifting capacity (kg) Top Layer	Approx speed (m/min)	Motor (kw x p)	Lifting height (m)	Wire rope max (dia mm x m)	Net weight (kg)
1177-14050	900kg	13 - 20.6	4 x 4	58	10 x 60	185
1177-14051	900kg	8.5 - 13.5	2.2 x 6	58	10 x 60	185
1177-14052	1100kg	14 - 25	5.5 x 4	97	12 x 100	250
1177-14053	1100kg	8.2 - 16.7	4.5 x 6	97	12 x 100	250
1177-14054	2200kg	7 - 12.5	5.5 x 4	97	16 x 100	400
1177-14055	2200kg	4.6 - 8.3	4 x 6	97	16 x 100	400
1177-14056	3500kg	6.3 - 8.8	5.5 x 6	144	18 x 150	800
1177-14057	3500kg	4.6 - 6.6	4 x 8	144	18 x 150	800
1177-14058	5000kg	8 - 12.0	11 x 4	192	21 x 200	1150
1177-14059	5000kg	5.3 - 8.0	7.5 x 6	192	21 x 200	1150